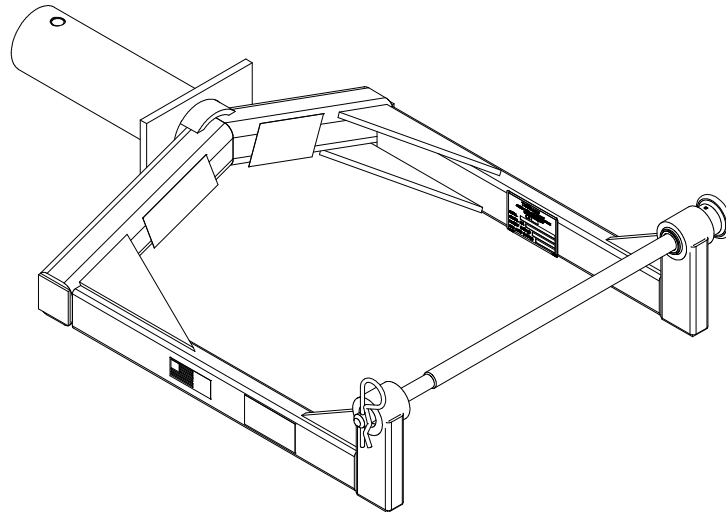




## Operation & Service Manual



**Model: 01-0559-0000  
Astra and Westwind  
Multi-Head**



01/2008 – Rev. 04

**\*\* When ordering Replacement Parts/Kits, please specify Model, Color and Serial Number of your Unit.\*\***

### ***Tronair, Inc.***

1740 Eber Road  
Holland, Ohio 43528-9794  
USA

Telephone: (419) 866-6301 • 800-426-6301

Fax: (419) 867-0634

Web Site: [www.tronair.com](http://www.tronair.com) E-mail: [sales@tronair.com](mailto:sales@tronair.com)



**TABLE OF CONTENTS**

	<b><u>PAGE</u></b>
1.0 Description .....	1
1.1 Specifications .....	1
2.0 Safety Information.....	1
2.1 General.....	1
3.0 Operation.....	2
3.1 Preliminary Checklist.....	2
3.1.1 Head Attachment Weldment.....	2
3.1.2 Sliding Pin .....	2
3.2 Usage Procedure .....	2
3.2.1 Multi-Head Attachment: .....	2
4.0 Training .....	2
4.1 Training Requirements.....	2
4.2 Training Program .....	2
4.3 Operator Training .....	2
5.0 Provision Of Spares.....	3
5.1 Spare Parts .....	3
5.2 Parts Lists & Illustrations.....	3
6.0 In-Service Support .....	3
7.0 Guarantees.....	3

Model: 01-0559-000  
Astra and Westwind Multi-Head

Revision	Date	Text Affected
03	03/2007	Major revision
04	01/2008	Modified Pats List

Tronair towbars/heads must only be used with matching Tronair heads/towbars, and Tronair shear pins.

This product can not be modified without the written approval of Tronair, Inc. Any modifications done without written approval voids all warranties and releases Tronair, Inc., its suppliers, distributors, employees, or financial institutions from any liability from consequences that may occur. Only Tronair OEM replacement parts shall be used.

## 1.0 DESCRIPTION

The Tronair Model 01-0559-0000 Multi-Head Towbar is a towbar head attachment for the Astra and Westwind Aircraft manufactured by IAI.

The towbar head attachment is designed for use with Tronair Multi-Head Towbar Model 01-1202-0000 for towing the previously stated aircraft. The towbar head attachment uses a sliding pin/stationary pin arrangement to interface with the aircraft tow point.

### 1.1 SPECIFICATIONS

**Aircraft Application:** Astra and Westwind manufactured by IAI  
**Maximum Aircraft Gross Weight:** 24,000 lbs (10.71 Metric tons)  
**Dimensions:** Length: 30 3/8 in (77.15 cm)  
Width: 24 1/4 in (56.52 cm)  
Height: 6 3/8 in (16.19 cm)  
**Weight:** 23 lbs (10.43 kg)  
**Finish:** Blue Powder Coat

## 2.0 SAFETY INFORMATION

### 2.1 GENERAL

The Tronair Model 01-0559-0000 Towbar Head Attachment is used for towing the Astra and Westwind Aircraft only.

To ensure safe operation, please read the following statements and understand their meaning. This manual contains safety precautions which are explained as follows. Please read carefully.



#### **WARNING!**

Warning is used to indicate the presence of a hazard that can cause **severe personal injury, death, and/or substantial property damage** if the Warning Notice is ignored.

#### **CAUTION!**

Caution is used to indicate the presence of a hazard which will or can cause **minor personal injury or property damage** if the Caution Notice is ignored.



#### **WARNING!**

**A damaged or bent towbar should not be used. Towbar should be repaired or replaced.**

### 3.0 OPERATION

#### 3.1 PRELIMINARY CHECKLIST

##### 3.1.1 Head Attachment Weldment

- Check weld between connector tube and head plate for cracks.
- Check weld between side rails and head plate for cracks.
- Check weld between side rail and stationary pin for cracks.
- Check weld between side rail and sliding pin sleeve for cracks.

##### 3.1.2 Sliding Pin

- Check sliding pin for bending or excessive wear. Ensure sliding pin slides freely.
- Check sliding pin ball lok-T pin. Ensure ball lok-T pin is securely attached to the head attachment via its lanyard.
- Ensure ball lok-T pin is not loose or missing.

#### 3.2 USAGE PROCEDURE

##### 3.2.1 Multi-Head Attachment:

Secure the towbar head attachment using the ball lok-T pin (supplied with the multi-head towbar) onto one of the following Tronair Multi-Head Towbar Models:

- 01-1202-0000
- Ensure the sliding pin is locked in place using the ball lok-T pin.



#### CAUTION!

**It is recommended that your towbar to attached to the aircraft first, and then connected to the tug to avoid possible aircraft damage.**

### 4.0 TRAINING

#### 4.1 TRAINING REQUIREMENTS

The employer of the operator is responsible for providing a training program sufficient for the safe operation of the towbar.

#### 4.2 TRAINING PROGRAM

The employer provided operator training program should cover safety procedures concerning use of the towbar in and around the Astra and Westwind aircrafts at the servicing location.

#### 4.3 OPERATOR TRAINING

The operator training should provide the required training for safe operation of the towbar.

***NOTE: Maintenance and Trouble Shooting are to be performed by the skilled and trained technician.***

## 5.0 PROVISION OF SPARES

### 5.1 SPARE PARTS

Spare parts may be obtained from the manufacturer:

**TRONAIR INC.**  
1740 Eber Road  
Holland, OH 43528-9794 USA

Telephone: 419-866-6301  
Fax: 419-867-0634  
E-mail: sales@tronair.com  
Website: www.tronair.com

### 5.2 PARTS LISTS & ILLUSTRATIONS

Reference following page for Replacement Parts and Kits available.

## 6.0 IN-SERVICE SUPPORT

Contact Tronair for technical services and information.

## 7.0 GUARANTEES

Tronair products are warranted to be free of manufacturing or material defects for a period of one year after shipment to the original customer. This is solely limited to the repair or replacement of defective components. This warranty does not cover the following items:

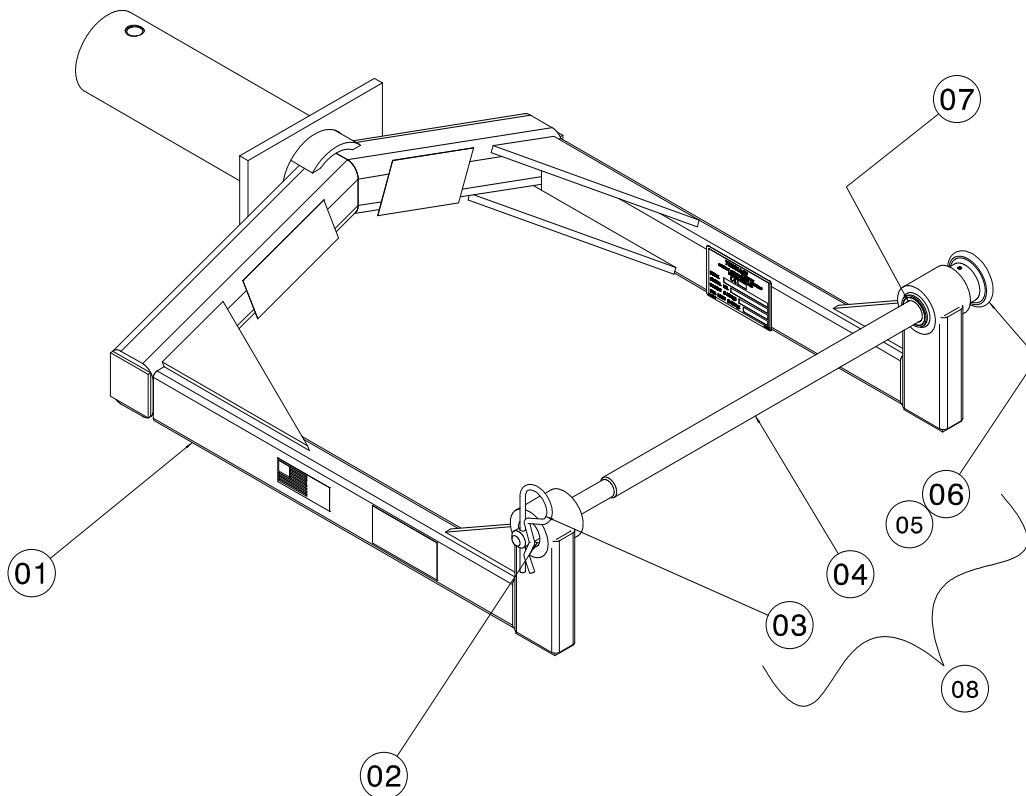
- a) Parts required for normal maintenance
- b) Parts covered by a component manufacturers warranty
- c) Replacement parts have a 90-day warranty from date of shipment

If you have a problem that may require service, contact Tronair immediately. Do not attempt to repair or disassemble a product without first contacting Tronair, any action may affect warranty coverage. When you contact Tronair be prepared to provide the following information:

- a) Product Model Number
- b) Product Serial Number
- c) Description of the problem

If warranty coverage is approved, either replacement parts will be sent or the product will have to be returned to Tronair for repairs. If the product is to be returned, a Return Material Authorization (RMA) number will be issued for reference purposes on any shipping documents. Failure to obtain a RMA in advance of returning an item will result in a service fee. A decision on the extent of warranty coverage on returned products is reserved pending inspection at Tronair. Any shipments to Tronair must be shipped freight prepaid. Freight costs on shipments to customers

## Parts List



ITEM	PART NUMBER	DESCRIPTION	QTY
1	Z-1923-01	Head Weldment (Not Sold Separately)	1
2	B-346-01	Bearing	1
3	6-1313-07	Clip, Hairpin	1
4	B-288	Pin, Axle	1
5	G-1300-13120	Pin, Roll, 1/8" x 1 1/8" long	1
6	R-1069	Handle	1
7	B-346-02	Bearing	1
8	Z-0089	Assembly, Axle Pin	1
	<b>K-1130</b>	<b>Kit, Replacement Pin Assembly; consists of:</b>	
3	6-1313-07	Clip, Hairpin	1
8	Z-0089	Assembly, Axle Pin	1
	<b>K-1131</b>	<b>Kit, Replacement, Bearing Set; consists of:</b>	
2	B-346-01	Bearing	1
7	B-346-02	Bearing	1





## APPENDIX I

# INS-1582 Towbar Usage Instructions

11/2003 – Rev. 03

***Tronair, Inc.***

1740 Eber Road  
Holland, Ohio 43528-9794  
USA

Telephone: (419) 866-6301 • 800-426-6301

Fax: (419) 867-0634

Web Site: [www.tronair.com](http://www.tronair.com) E-mail: [sales@tronair.com](mailto:sales@tronair.com)

**REVISION**

03

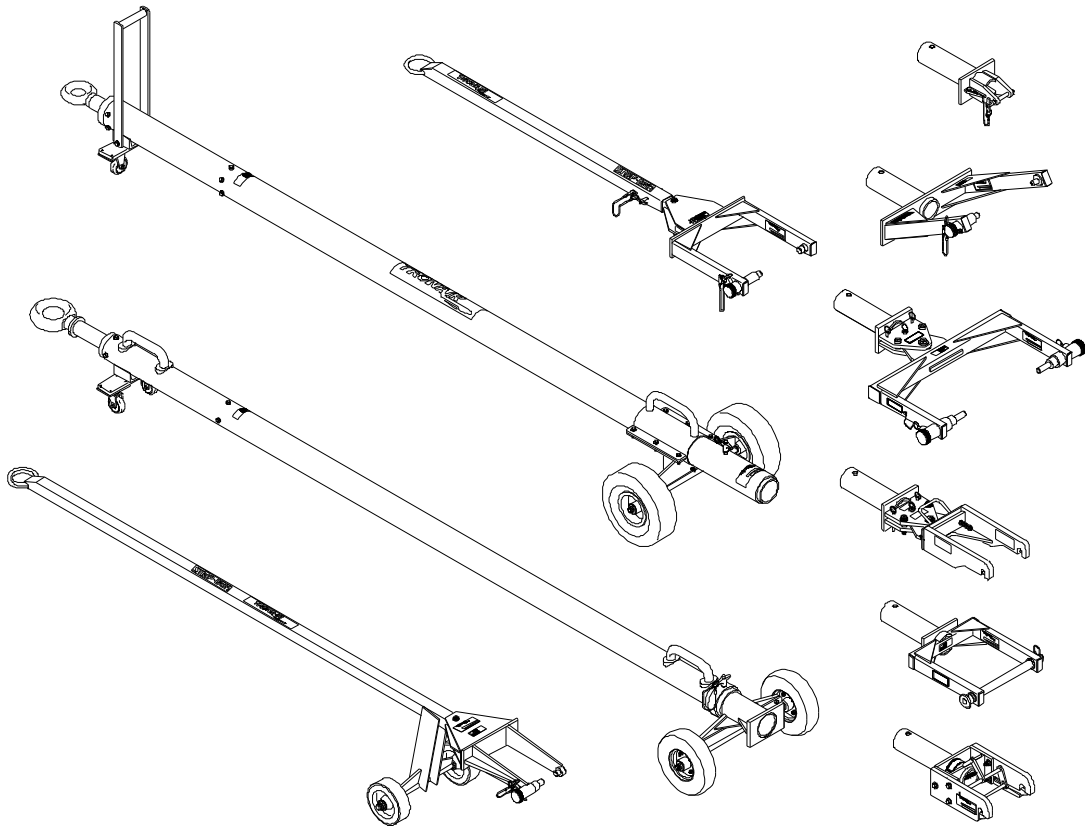
**DATE**

11/25/03

**TEXT AFFECTED**

pg 1 Warning added

Your Tronair towbar is engineered and built to the highest standards of quality and workmanship. Under normal usage and with minimal maintenance this towbar will provide exceptional service.



**WARNING!** A damaged or bent towbar should not be used, but should be repaired or replaced.

Using a damaged or bent towbar can result in aircraft or equipment damage and possible personal injury.



**WARNING!** Towbars With Hydraulic Lifting Mechanism:

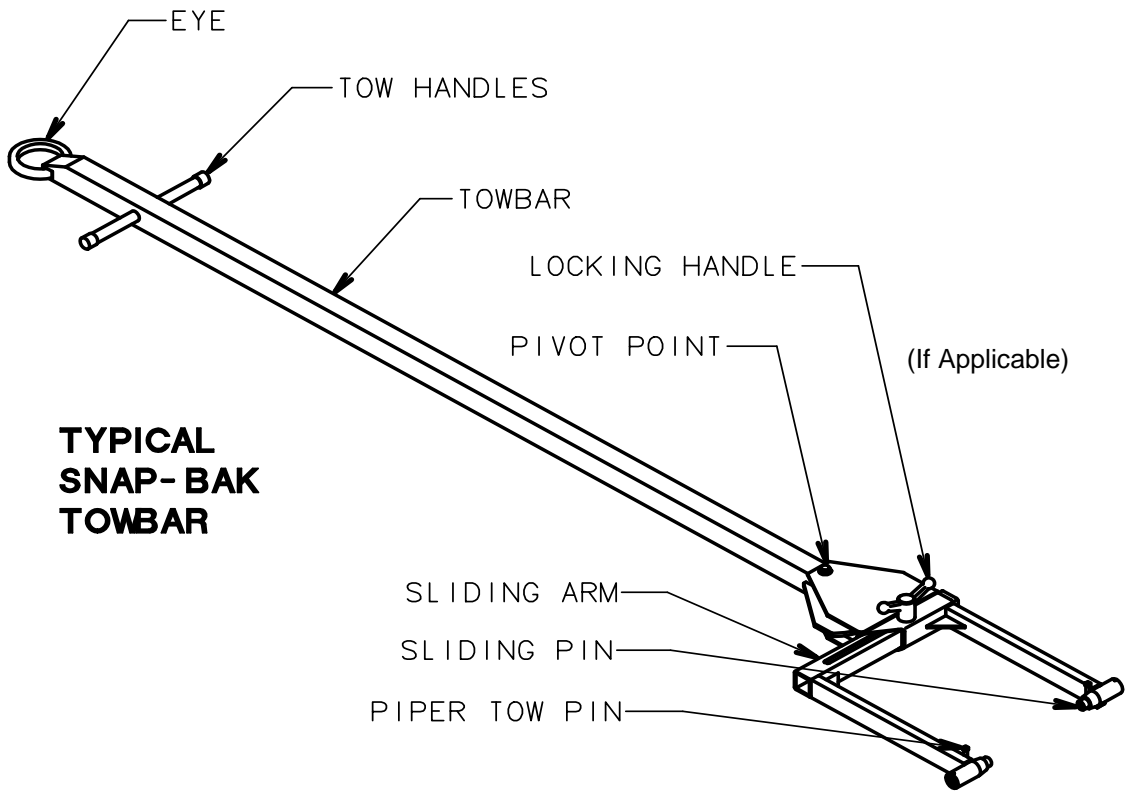
The hydraulic lift mechanism (on those towbars so equipped) should only be used to raise the towbar to facilitate connection to the aircraft or tug.

Release any hydraulic pressure when towing aircraft or moving towbar.



**WARNING!** Towbars Should be Used with Category 1 Tugs:

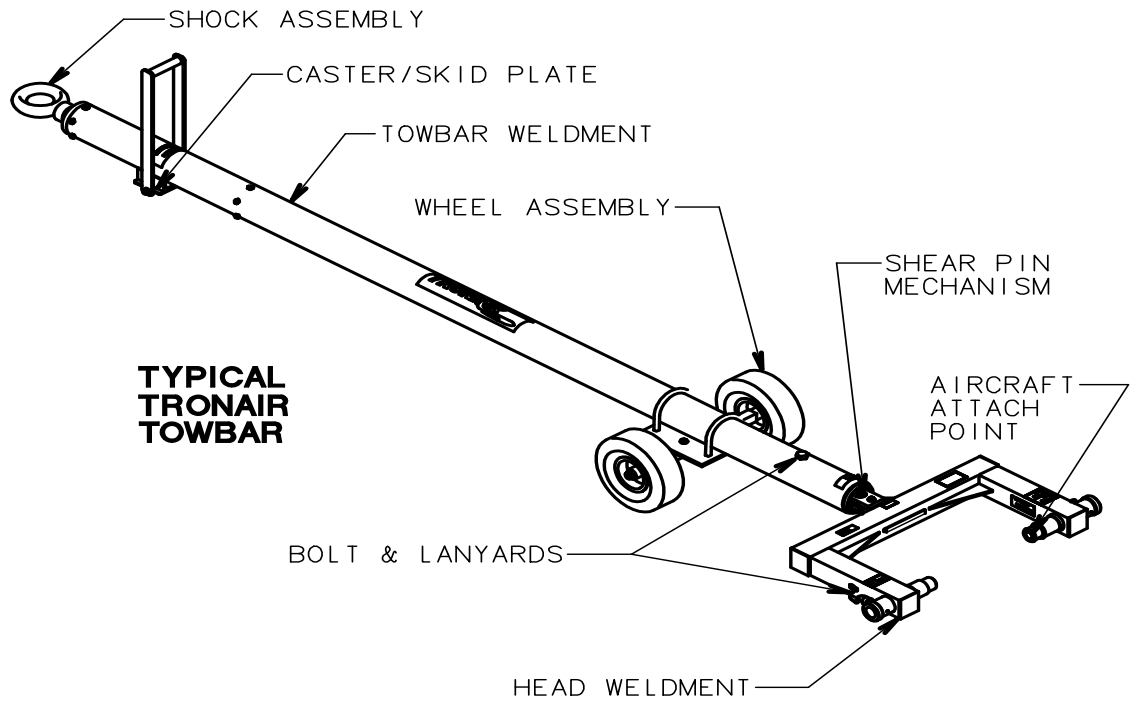
Towbars should be used with **category 1 tugs** only in accordance with AHM 995 "Functiona1 specifications for an aircraft tractor." Using a category 2 or higher tug may result in excessive loads and stresses being applied to the towbar and/or the aircraft. These excessive loads may cause failure of the towbar which could cause damage to the aircraft or personal injury



**TYPICAL  
SNAP-BAK  
TOWBAR**

**FIGURE 2**

**NOTE:** Typical towbar. Your towbar and/or head may not have all of the features shown



**TYPICAL  
TRONAIR  
TOWBAR**

**FIGURE 1**

**NOTE:** Typical towbar. Your towbar and/or head may not have all of the features shown

## BEFORE USING TOWBAR, COMPLETE THE FOLLOWING CHECKLISTS:

Reference **Figures 1 & 2** on Page 2.

### TOWBAR:

#### Area of Towbar:

Shock Assembly:

#### Check:

1. Weld between eye and tube (Are there cracks?)
2. Bolts attaching shock to towbar (Loose, missing, stripped, etc.)
3. Eyebolt (Is it bent, worn down, or deformed?)

Towbar Weldment:

2.

1. Tube (Is it bent, dented, bowed, and/or have cracks?)
- Weld at head end (Are there any cracks in the welds?)
3. Head hole (Is it elongated? Is the ball lok pin attached to the towbar?)

Caster/Skid Plate:

1. Casters (Are they missing or bent?)
2. Handles (Are they broken, bent, or missing?)
3. Bolts (Are they missing or loose?)

Wheel Assembly:

1. Wheels (Are they flat? Is the rim bent?)
2. Axle (Is it bent?)

### HEAD:

#### Area of Head:

Bolts & Lanyards:

#### Check:

1. Are they loose, missing, or stripped? Are they attached to the head?

Weldment:

1. Welds holding side rails to head rail (Are there any cracks?)
2. Shear Plates (Are there cracks in welds? Are the plates bent?)

Shear Pin Mechanism:

1. Shear Pin (Is it bent or deformed? Are there spares?)
2. Bushings (Are they cracked, chipped, secure?)
3. Pivot Bolt (Are the nuts tight? Are there washers present?)

#### Area of Head:

Aircraft Attach Point:

#### Check:

1. Sliding Pin(s) (Are they bent, cracked? Do they slide freely?)
2. Locking Pin (Are they loose? Do they hold the sliding pins securely?)
3. Wear sleeves (Are the welds cracked?)
4. Roll Pins(s) (Are they rusted? Are they missing? Are they loose?)
5. Ball Lok Pin (Is it attached to head? Is it rusted? Is it bent?)
6. Axle Adapter (Is it bent? Is the slot deformed? Are bolts tight?)

### SNAP-BAK AND UNIVERSAL TOWBARS:

#### Area of Towbar:

Towbar:

#### Check:

1. Spring (Has it taken a set? Loose in the assembly?)
2. Eyebolt (Is it bent, worn down, or deformed?)
3. Tube (Is it bent, dented, bowed, or cracked? Is it rusted badly?)
4. Welds (Are there any cracks in the welds?)
5. Head Hole (Is it elongated? Is the bolt attached correctly?)

Function:

1. Does it snap back?

Head:

1. Pivot Bolt (Is it present along with washers? Is the nut tight? Is it rusted?)
2. Roll Pin(s) (Are they rusted? Are they missing? Are they loose?)
3. Weldment (Is it deformed, bent, or rusted beyond reasonable use?)
4. Lanyard (Is it attached to weldment?)
5. Sliding Pin(s) (Are they bent, cracked or rusted? Does it slide?)

## USAGE PROCEDURE

### Aircraft Attachment:

It is recommended that your towbar be attached to the aircraft first, and then connected to the tug to avoid possible aircraft damage.

Ensure sliding pins are locked in place before towing aircraft.

### Tug Attachment:

Damage to the towbar or aircraft can result from an excessive towbar angle during towing operations (Reference to **Figure 3**). If aircraft with both high and low tow points are encountered, consider using two pintle hooks, as shown in **Figures 4 & 5**, so that the towbar is as level as possible during towing. Also pintle hook height should prevent contact of towbar wheels with the ground, during towing. (Reference **Figure 5**).

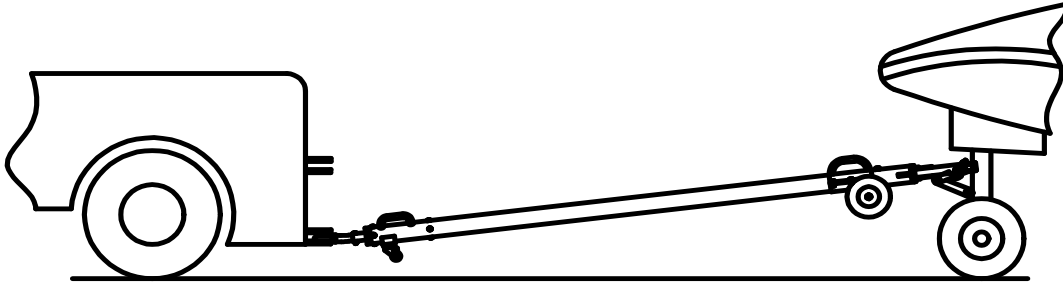


FIGURE 3 - INCORRECT

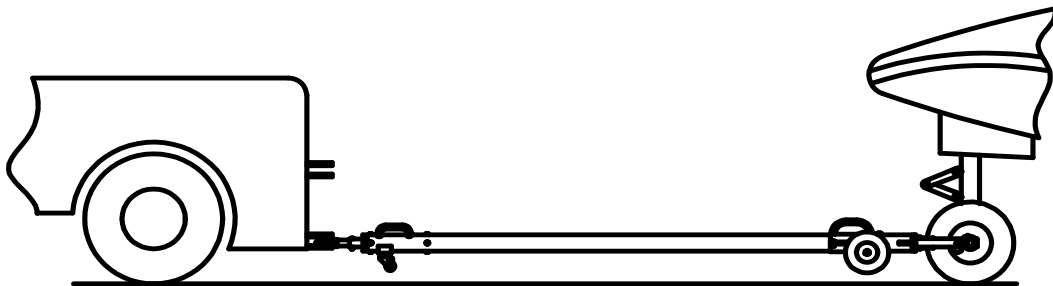


FIGURE 4 - CORRECT

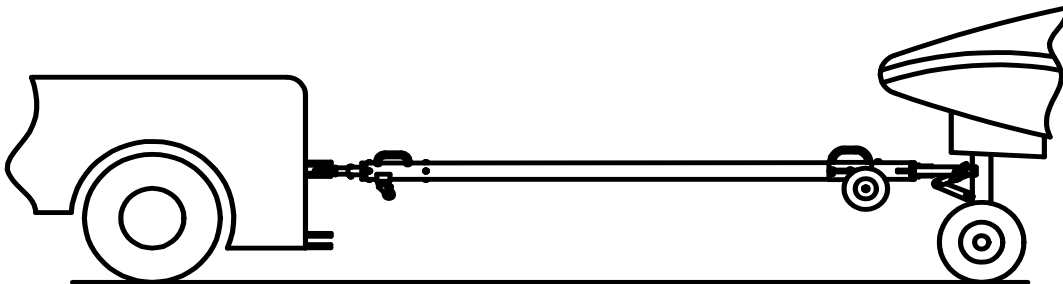


FIGURE 5 - CORRECT

**USAGE PROCEDURE** (continued)

**Type Of Coupler:**

Damage to the towbar or aircraft can result while towing with the following type of couplers:

- Lift Head
- Standard Duty Latch
- Vertical Side Swing Latch
- Swivel Hook

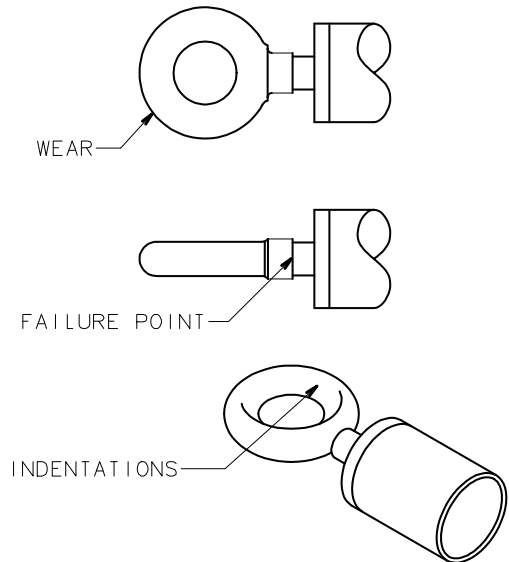
These types of couplers are known to cause binding and failure in the eyebolt. Indicators of eyebolt binding are wear on the outside diameter of the eye and indentations on the inside diameter. The failure will begin at the head of the eye. See **Figure 6**.

**Figure 7** illustrates a pintle hook arrangement that is known to eliminate eyebolt binding. Tronair recommends using this type of hook on your tug.

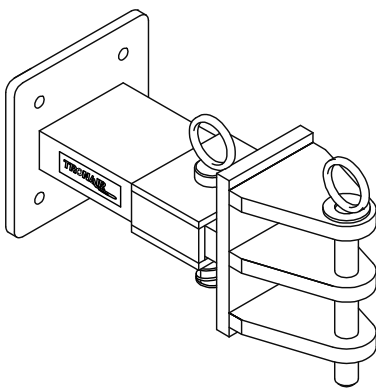
**Eyebolt and Pintle Pin Size:**

Damage to the towbar or aircraft can result by towing or pushing an aircraft with an incorrect size eyebolt or pintle pin. A correct size eyebolt will make contact with the pintle pin. A gap between the eyebolt outside diameter and the coupler face plate should be easily seen. An eyebolt which is too large will cause the eyebolt to make contact with the face plate of the coupler. When the eyebolt is too large for the coupler, a gap between the inside diameter of the eyebolt and the coupler face plate will be seen. See **Figure 8**.

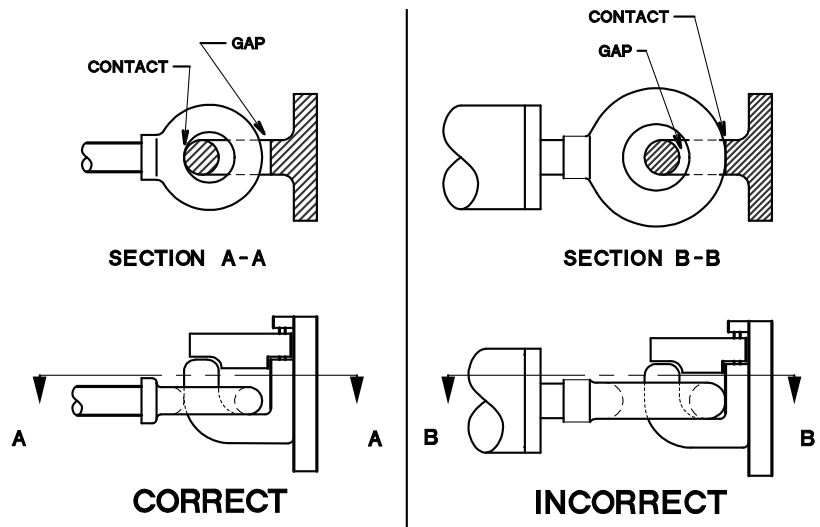
To ensure proper towing and pushing, check to make sure that the pintle pin diameter is not too large for the eyebolt's inside diameter. Approximately a one-half inch (1/2") gap between the pin diameter and the eyebolt should be seen. If any of these conditions are not met, please contact Tronair for information to obtain a new coupler.



**FIGURE 6**



**FIGURE 7**



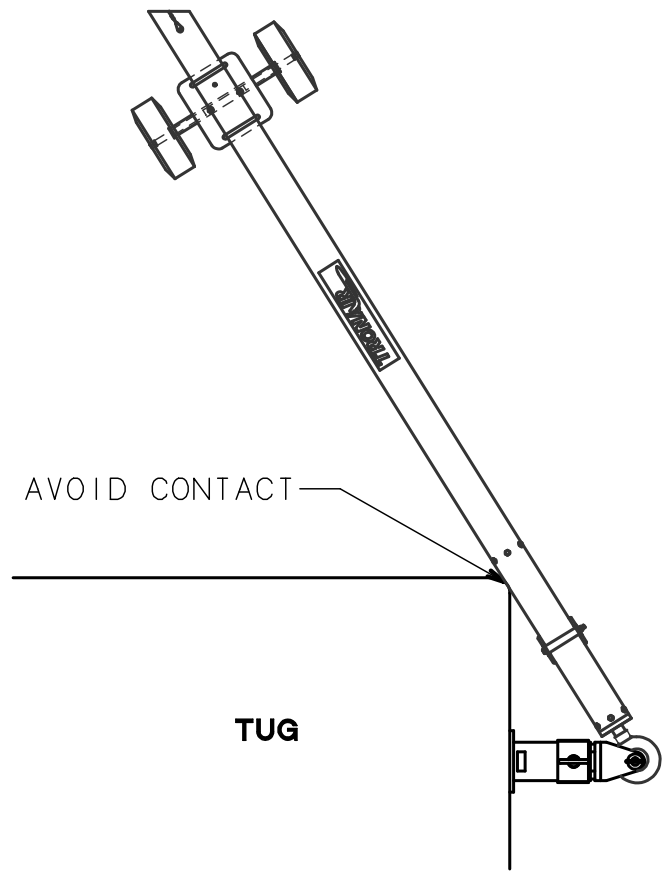
**FIGURE 8**

Usage procedure continued on following page

**USAGE PROCEDURE** *(continued)*

**Towing Angle:**

Damage to the towbar or aircraft can result from pushing an aircraft while maintaining too sharp of an angle between the tug and the towbar. Contact between the towbar weldment and tug must be avoided. It is recommended that the angle between the tug and towbar not exceed 90 degrees. See **Figure 9**.



**FIGURE 9**





## **APPENDIX - II**

### **Declaration of Conformity**





## DECLARATION of CONFORMITY

Multi-Head  
01-0559-0000

Relevant provisions complied with by the machinery:  
98/37/EC

Relevant standards complied with by the machinery:

DIN EN 292-1  
DIN EN 292-2

Identification of person empowered to sign on behalf of the manufacturer:

A handwritten signature in black ink that reads "David L. Kidd". The signature is written in a cursive style and is positioned above a horizontal line.

Quality Assurance Representative

### **Tronair, Inc.**

1740 Eber Road  
Holland, Ohio 43528-9794  
USA

Telephone: (419) 866-6301 • 800-426-6301

Fax: (419) 867-0634

Web Site: [www.tronair.com](http://www.tronair.com) E-mail: [sales@tronair.com](mailto:sales@tronair.com)