



OPERATION & SERVICE MANUAL

**Model: 01-1127-0006
Portable Towbar
Sikorsky S-76**



03/2007 – Rev. 02

**For Spare Parts, Operations & Service Manuals or Service Needs
Scan the QR code or visit Tronair.com/aftermarket**



REVISION
02

DATE
03/2007

TEXT AFFECTED
Major Revision

TABLE OF CONTENTS

	<u>PAGE</u>
1.0 DESCRIPTION	0
1.1 SPECIFICATIONS	0
1.2 FEATURES	0
2.0 SAFETY INFORMATION	0
2.1 GENERAL.....	0
3.0 OPERATION	1
3.1 PRELIMINARY CHECKLIST.....	1
3.1.1..... Towbar	1
3.1.2..... Towing Head.....	1
3.1.3..... Sliding Pin	1
3.2 USAGE PROCEDURE.....	1
3.2.1..... Aircraft Attachment.....	1
3.2.2..... Tug Attachment.....	1
3.2.3..... Couplers.....	2
3.2.4..... Towing Operation.....	2
3.2..... USAGE PROCEDURE (<i>continued</i>).....	2
4.0 TRAINING	3
4.1 TRAINING REQUIREMENTS	3
4.2 TRAINING PROGRAM	3
4.3 OPERATOR TRAINING	3
5.0 PROVISION OF SPARES	3
5.1 SPARE PARTS	3
5.2 RECOMMENDED SPARE PARTS LIST.....	3
6.0 IN-SERVICE SUPPORT	3
7.0 GUARANTEES/LIMITATION OF LIABILITY	3

Tronair towbars/heads must only be used with matching Tronair heads/towbars, and Tronair shear pins.

This product can not be modified without the written approval of Tronair, Inc. Any modifications done without written approval voids all warranties and releases Tronair, Inc., its suppliers, distributors, employees, or financial institutions from any liability from consequences that may occur. Only Tronair OEM replacement parts shall be used.

1.0 DESCRIPTION

The Tronair Model 01-1127-0006 Portable Towbar is a lightweight, carry-on towbar for use with Sikorsky S-76 Aircraft.

The portable towbar includes two telescoping tube sections which collapse for storage. There is an eyebolt at the end of the towbar for towing. The portable towbar uses machined pins to attach to the tow point.

1.1 SPECIFICATIONS

Application: Sikorsky S-76 Aircraft

Dimensions:

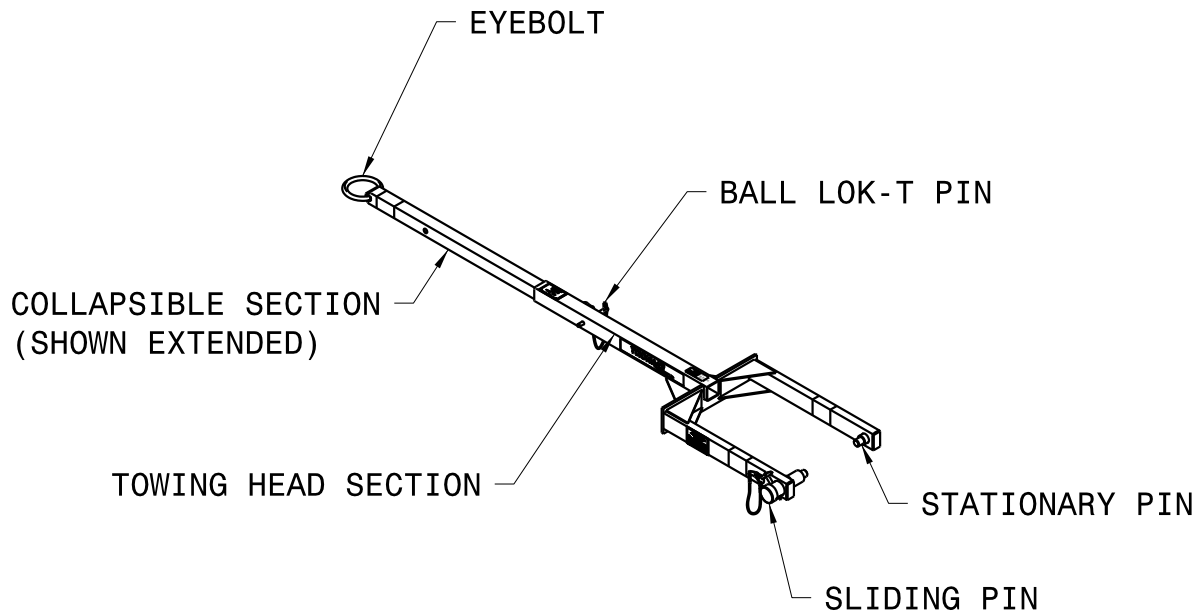
Length 64.25 in (163.2 cm) From eyebolt centerline to centerline of aircraft interface in extended position
38 in (96.7 cm) From eyebolt centerline to end of towbar in collapsed position

Width 14.7 in (37.3 cm)

Weight: 25 lbs (11.3 kg)

Finish: Blue Powder Coat

1.2 FEATURES



2.0 SAFETY INFORMATION

2.1 GENERAL

The Tronair Model 01-1127-0006 Portable Towbar is to be used for towing Sikorsky S-76 Aircraft only.

To ensure safe operation, please read the following statements and understand their meaning. This manual contains safety precautions which are explained as follows. Please read carefully.

WARNING! Warning is used to indicate the presence of a hazard that can cause **severe personal injury, death, and/or substantial property damage** if the Warning Notice is ignored.

CAUTION! Caution is used to indicate the presence of a hazard which will or can cause **minor personal injury or property damage** if the Caution Notice is ignored.



WARNING!

A damaged or bent towbar should not be used. Towbar should be repaired or replaced.

3.0 OPERATION

3.1 PRELIMINARY CHECKLIST

3.1.1 Towbar

- Check lunette for bending, excessive wear and deformity.
- Check ball lok-T pin. Ensure ball lok-T pin is securely attached to towbar via its lanyard. Ensure ball lok-T pin is not missing.

3.1.2 Towing Head

- Check weld between towbar tube and head plate for cracks.
- Check weld between head plate and side rails for cracks.
- Check weld between side rail and stationary pin for cracks.
- Check weld between side rail and sliding pin sleeve for cracks.

3.1.3 Sliding Pin

- Check sliding pin for bending or excessive wear. Ensure sliding pin slides freely.
- Check sliding pin ball lok-T pin. Ensure ball lok-T pin is securely attached via its lanyard.
- Ensure ball lok-T pin is not loose or missing.

3.2 USAGE PROCEDURE

3.2.1 Aircraft Attachment



CAUTION!

It is recommended that your towbar be attached to the aircraft first, and then connected to the tug to avoid possible aircraft damage.



WARNING!

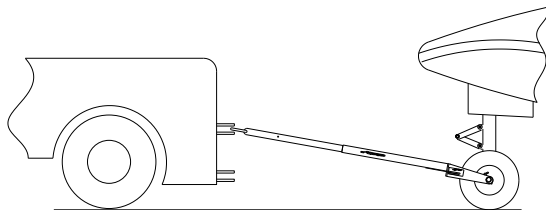
Tronair recommends the use of a towbar with a category 1 or category 2 tug and aircraft not exceeding 75,000 lbs gross weight. Using the towbar with aircraft weighing in excess of this specific limitation may result in excessive loads and stresses being applied to the towbar and/or the aircraft. These excessive loads may cause failure of the towbar which could cause damage (INCLUDING WITHOUT LIMITATION to the aircraft) and/or personal injury OR DEATH. **TRONAIR MAKES NO REPRESENTATION, WARRANTY OR GUARANTEE AS TO SUCH MISUSE AND DISCLAIMS ANY AND ALL LIABILITY FOR INJURY, LOSS OR DAMAGE ARISING FROM OR RELATING TO SUCH MISUSE.**

3.2.2 Tug Attachment



CAUTION!

Damage to the towbar or aircraft can result from an excessive towbar angle during towing operations. *Reference Figure 1.*



**Incorrect
Excessive Towbar Angle**

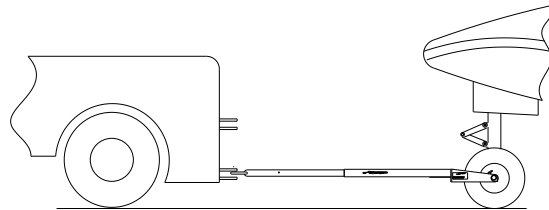


FIGURE 1

Correct

- Use a pintle height so that the towbar is as level as possible during towing. Also, the pintle hook height should prevent contact of the towbar with the ground during towing.

3.2 USAGE PROCEDURE (continued)

3.2.3 Couplers



CAUTION! Damage to the towbar or aircraft can result while towing with the following types of couplers:

- Lift Head
- Standard Duty Latch
- Vertical Side Swing Latch
- Swivel Hook

The couplers listed above are known to cause binding and failure in the lunette eye. Indicators of binding are wear on outside diameter of the eyebolt and indentation on the inside diameter of the eyebolt. **Reference Figure 2**

Tronair recommends a telecoupler pintle hook arrangement. This arrangement is known to eliminate binding. Tronair offers a Standard Telecoupler, Model Number 01-1950-5000, for use on tugs. **Reference Figure 3**

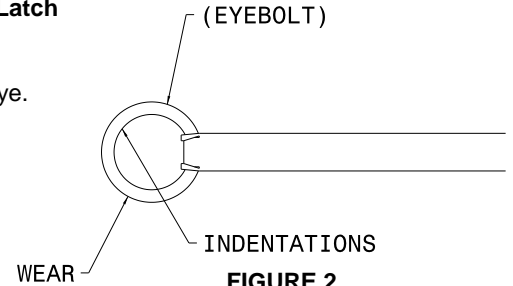


FIGURE 2

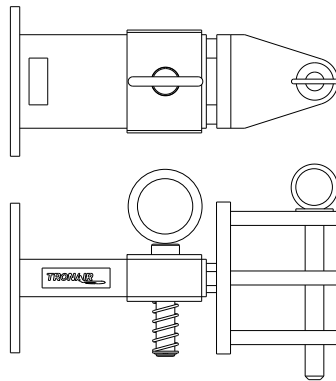


FIGURE 3

01-1950-5000 Standard Telecoupler

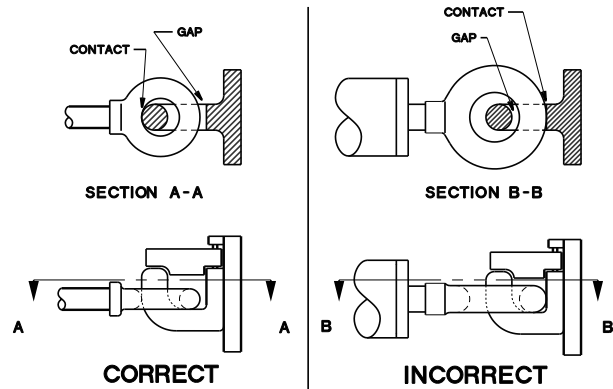


FIGURE 4

Damage to the towbar and/or aircraft can result by towing or pushing an aircraft with an incorrect size eyebolt or pintle pin. A correct size eyebolt will make contact with the pintle pin. A gap between the eyebolt outside diameter and the coupler face plate should be easily seen. An eyebolt which is too large will cause the eyebolt to make contact with the face plate of the coupler. When the eyebolt is too large for the coupler, a gap between the inside diameter of the eyebolt and the coupler face plate will be seen. **Reference Figure 4**

To ensure proper towing and pushing, check to make sure the pintle pin diameter is not too long for the eyebolt's inside diameter. An approximate one-half inch (1/2") gap between the pin diameter and the eyebolt should be seen. If any of these conditions are not met, please contact Tronair for information to obtain a new coupler.

3.2.4 Towing Operation

Damage to the towbar or aircraft can result from pushing an aircraft while maintaining too sharp of an angle between the tug and the aircraft. Contact between the towbar weldment and the tug must be avoided. It is recommended that the angle between the tug and towbar not exceed 90°. **Reference Figure 5.**

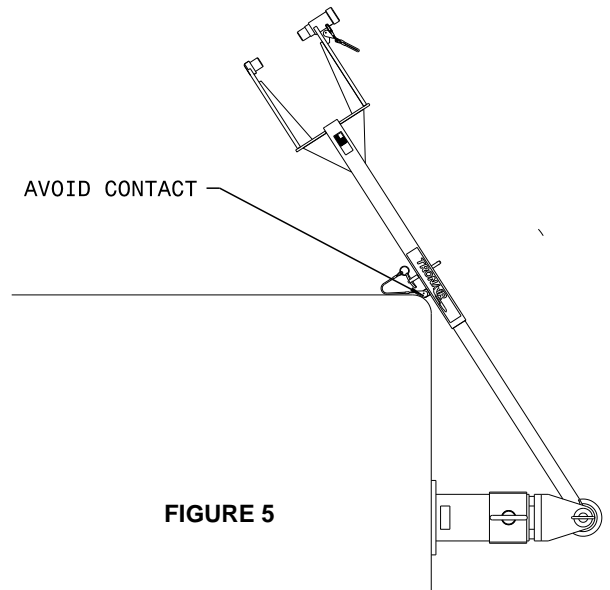


FIGURE 5

4.0 TRAINING

4.1 TRAINING REQUIREMENTS

The employer of the operator is responsible for providing a training program sufficient for the safe operation of the towbar.

4.2 TRAINING PROGRAM

The employer provided operator training program should cover safety procedures concerning use of the towbar in and around the aircraft at the servicing location.

4.3 OPERATOR TRAINING

The operator training should provide the required training for safe operation of the towbar.

NOTE: Maintenance and Trouble Shooting are to be performed by the skilled and trained technician.

5.0 PROVISION OF SPARES

5.1 SPARE PARTS

Spare parts may be obtained from the manufacturer:

TRONAIR, Inc.

1 Air Cargo Pkwy East

Swanton, Ohio 43558 USA

Telephone: (419) 866-6301 or 800-426-6301

Fax: (419) 867-0634

E-mail: sales@tronair.com

Website: www.tronair.com

For Spare Parts, Operations & Service Manuals or Service Needs:

Scan the QR code or visit Tronair.com/aftermarket



5.2 RECOMMENDED SPARE PARTS LIST

Reference the following page(s) for Replacement Parts and Kits available.

Recommended Spares to be kept on hand:

K-1129.....Kit, Sliding Pin Replacement

K-1308.....Kit, Ball Loc Pin Replacement

K-1337.....Kit, Ball Loc Pin Replacement

6.0 IN-SERVICE SUPPORT

Contact Tronair for technical services and information.

7.0 GUARANTEES/LIMITATION OF LIABILITY

Tronair products are warranted to be free of manufacturing or material defects for a period of one year after shipment to the original customer. This is solely limited to the repair or replacement of defective components. This warranty does not cover the following items:

- a) Parts required for normal maintenance
- b) Parts covered by a component manufacturers warranty
- c) Replacement parts have a 90-day warranty from date of shipment

If you have a problem that may require service, contact Tronair immediately. Do not attempt to repair or disassemble a product without first contacting Tronair, any action may affect warranty coverage. When you contact Tronair be prepared to provide the following information:

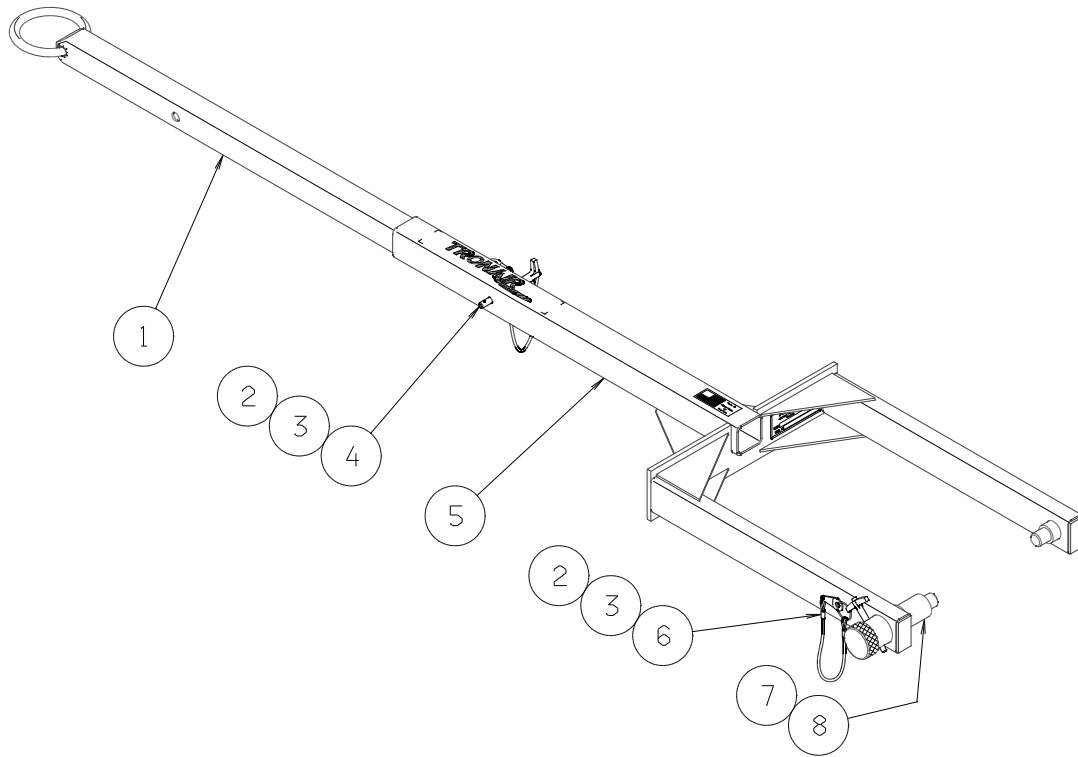
- a) Product Model Number
- b) Product Serial Number
- c) Description of the problem

If warranty coverage is approved, either replacement parts will be sent or the product will have to be returned to Tronair for repairs. If the product is to be returned, a Return Material Authorization (RMA) number will be issued for reference purposes on any shipping documents. Failure to obtain a RMA in advance of returning an item will result in a service fee. A decision on the extent of warranty coverage on returned products is reserved pending inspection at Tronair. Any shipments to Tronair must be shipped freight prepaid. Freight costs on shipments to customers will be paid by Tronair on any warranty claims only. Any unauthorized modification of the Tronair products or use of the Tronair products in violation of cautions and warnings in any manual (including updates) or safety bulletins published or delivered by Tronair will immediately void any warranty, express or implied.

The obligations of Tronair expressly stated herein are in lieu of all other warranties or conditions expressed or implied. **Any unauthorized modification of the Tronair products or use of the Tronair products in violations of cautions and warnings in any manual (including updates) or safety bulletins published or delivered by Tronair will immediately void any warranty, express or implied and Tronair disclaims any and all liability for injury (WITHOUT LIMITATION and including DEATH), loss or damage arising from or relating to such misuse.**

Parts List

When ordering replacement parts/kits, please specify model, serial number and color of your unit.



Item	Part Number	Description	Qty
1	Z-1543-01	Inner Tube Weldment	1
5	Z-1513-01	Towbar Weldment	1
	K-1129	Sliding Pin, Replacement Kit; consists of:	
7	B-108	Sliding Pin	1
8	G-1300-19040	Roll Pin, 3/16" diameter x 1/2" long	1
	K-1308	Ball Lock Pin, Replacement Kit; consists of:	
2	G-1351-04	Rivet, 1/8 Open-End Steel	1
3	H-1026*07.0	Lanyard Assembly	1
6	G-1310-0415	Ball Lock Pin	1
	K-1337	Ball Lok-T Pin, Replacement Kit; consists of:	
2	G-1351-04	Rivet, 1/8 Open-End Steel	1
3	H-1026*07.0	Lanyard Assembly	1
4	G-1310-0525	Ball Lok-T Pin	1



APPENDIX I

Declaration of Conformity



DECLARATION of CONFORMITY

The design, development and manufacture is in accordance with European Community guidelines

Portable Towbar
01-1127-0006

Relevant provisions complied with by the machinery:
2006/42/EC

Relevant standards complied with by the machinery:
EN ISO 12100-1

Identification of person empowered to sign on behalf of the Manufacturer:

A handwritten signature in cursive script that reads "Patrick Finch". The signature is written in black ink and is positioned above a horizontal line.

Quality Assurance Representative