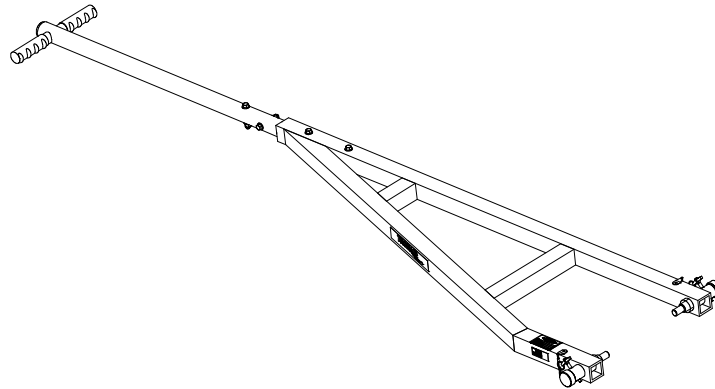




Operation & Service Manual



Model: 01-1335-0000
Custom
CH-47 Chinook Steering Bar



06/2009 – Rev. 01

Includes Illustrated Parts Lists

Tronair, Inc.

1740 Eber Road
Holland, Ohio 43528-9794
USA

Telephone: (419) 866-6301 • 800-426-6301

Fax: (419) 867-0634

Web Site: www.tronair.com E-mail: sales@tronair.com

TABLE OF CONTENTS

PAGE

1.0	Description	1
1.1	Specifications	1
2.0	Safety Information.....	1
2.1	General.....	1
3.0	Operation.....	1
3.1	Steering Bar Checklist.....	1
4.0	Training	2
4.1	Training Requirements.....	2
4.2	Training Program	2
4.3	Operator Training	2
5.0	Provision Of Spares.....	2
5.1	Spare Parts	2
5.2	Parts List	2
6.0	In-Service Support.....	2
7.0	Guarantees.....	3

APPENDIX I Declaration of Conformity

Model: 01-1335-0000
Custom CH-47 Chinook Steering Bar

Revision	Date	Text Affected
01	06/2009	Original release

Model: 01-1335-0000
Custom CH-47 Chinook Steering Bar

This product can not be modified without the written approval of Tronair, Inc. Any modifications done without written approval voids all warranties and releases Tronair, Inc., its suppliers, distributors, employees, or financial institutions from any liability from consequences that may occur. Only Tronair OEM replacement parts shall be used.

1.0 DESCRIPTION

The Tronair Model 01-1335-0000 steering bar is for use with CH-47 Chinook.

1.1 SPECIFICATIONS

Application: CH-47 Chinook
Maximum Aircraft Gross Weight: 50,000 lbs (22.7 Metric ton)
Dimensions: Length 99.8 in (253.5 cm)
Width 26.5 in (67.3 cm)
Height 1.9 in (4.8 cm) diameter
Weight: 36 lbs (16.3 kg)
Finish: Powder Coat
Material: Aluminum

2.0 SAFETY INFORMATION

2.1 GENERAL

The Tronair Model 01-1335-0000 steering bar is used for moving CH-47 Chinook Aircraft only.

To ensure safe operation, please read the following statements and understand their meaning. This manual contains safety precautions which are explained as follows. Please read carefully.



WARNING! Warning is used to indicate the presence of a hazard that can cause **severe personal injury, death, and/or substantial property damage** if the Warning Notice is ignored.

CAUTION! Caution is used to indicate the presence of a hazard which will or can cause **minor personal injury or property damage** if the Caution Notice is ignored.

3.0 OPERATION

3.1 STEERING BAR CHECKLIST

- Inspect the steering bar tube for cracks, gouges greater than 1/16 inch, and bends or deformities. A damaged or bent steering bar should not be used. Contact Tronair for replacement.
- Ensure mounting fasteners are not loose or missing; tighten or replace as required.



WARNING!

A damaged or bent steering bar should not be used. Steering bar should be repaired or replaced.

4.0 TRAINING

4.1 TRAINING REQUIREMENTS

The employer of the operator is responsible for providing a training program sufficient for the safe operation of the towbar.

4.2 TRAINING PROGRAM

The employer provided operator training program should cover safety procedures concerning use of the towbar in and around the aircraft at the servicing location.

4.3 OPERATOR TRAINING

The operator training should provide the required training for safe operation of the towbar.

NOTE: Maintenance and Trouble Shooting are to be performed by the skilled and trained technician.

5.0 PROVISION OF SPARES

5.1 SPARE PARTS

Spare parts may be obtained from the manufacturer:

TRONAIR, INC.
1740 Eber Road
Holland, Ohio 43528-9794 USA

Telephone: 419-866-6301
Fax: 419-867-0634
E-mail: sales@tronair.com
Web: www.tronair.com

5.2 PARTS LIST

Reference the following pages for ordering information of Replacement Parts and Kits.

6.0 IN-SERVICE SUPPORT

Contact Tronair for technical services and information.

7.0 GUARANTEES

Tronair products are warranted to be free of manufacturing or material defects for a period of one year after shipment to the original customer. This is solely limited to the repair or replacement of defective components. This warranty does not cover the following items:

- a) Parts required for normal maintenance
- b) Parts covered by a component manufacturers warranty
- c) Replacement parts have a 90-day warranty from date of shipment

If you have a problem that may require service, contact Tronair immediately. Do not attempt to repair or disassemble a product without first contacting Tronair, any action may affect warranty coverage. When you contact Tronair be prepared to provide the following information:

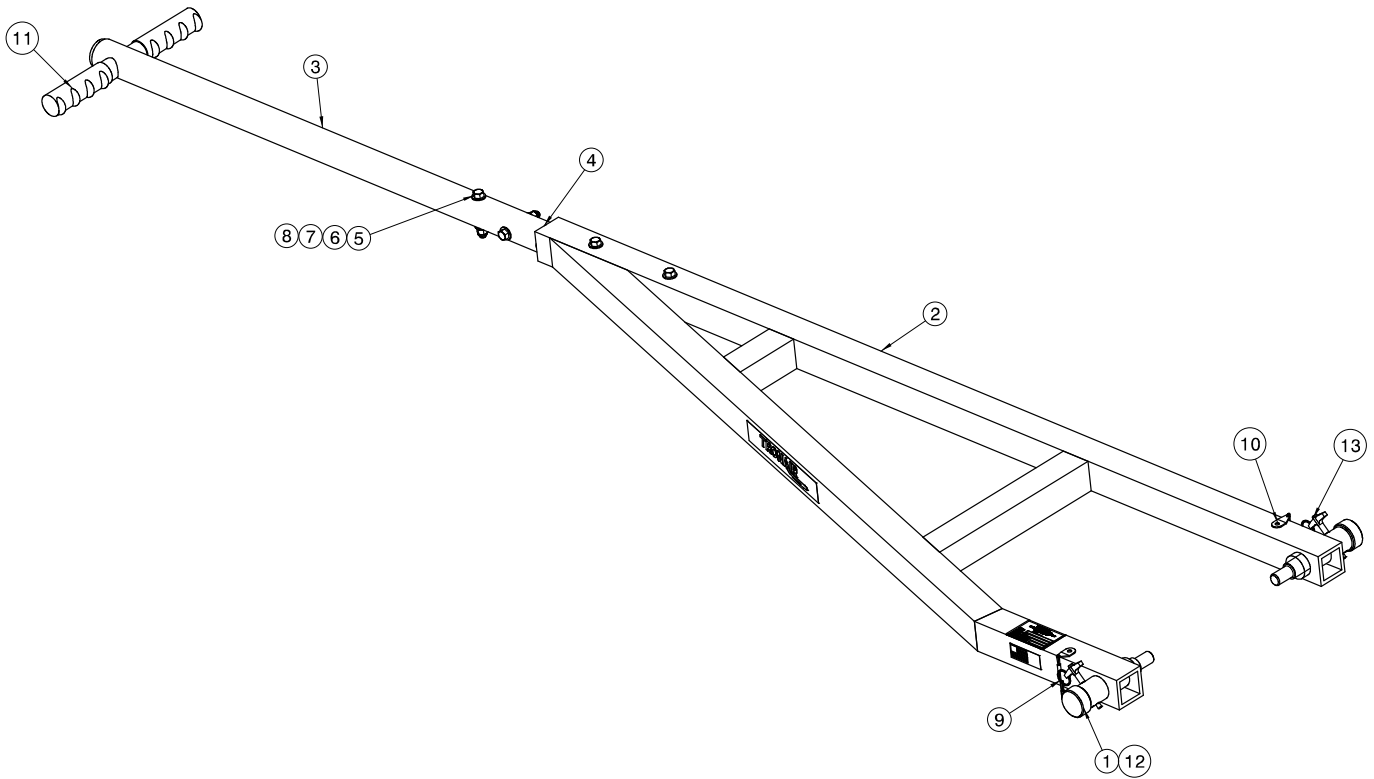
- a) Product Model Number
- b) Product Serial Number
- c) Description of the problem

If warranty coverage is approved, either replacement parts will be sent or the product will have to be returned to Tronair for repairs. If the product is to be returned, a Return Material Authorization (RMA) number will be issued for reference purposes on any shipping documents. Failure to obtain a RMA in advance of returning an item will result in a service fee. A decision on the extent of warranty coverage on returned products is reserved pending inspection at Tronair. Any shipments to Tronair must be shipped freight prepaid. Freight costs on shipments to customers will be paid by Tronair on any warranty claims only. Any unauthorized modification of the Tronair products or use of the Tronair products in violation of cautions and warnings in any manual (including updates) or safety bulletins published or delivered by Tronair will immediately void any warranty, express or implied.

The obligations of Tronair expressly stated herein are in lieu of all other warranties or conditions expressed or implied. Without limitation, to the fullest extent allowable by law, this exclusion of all other warranties and conditions extends to implied warranties and conditions of satisfactory quality, merchantable quality, and fitness for a particular purpose, and those arising by statute or otherwise in law, or from a course of dealing or usage of trade.

Parts List

**** When ordering Replacement Parts/Kits, please specify Model, Color and Serial Number of your Unit.****



ITEM	PART NUMBER	DESCRIPTION	QTY
1	R-2422	Pin, Sliding	2
2	Z-7603-01	Weldment, Bar	1
3	Z-7067-01	Weldment, Handle	1
4	R-2424	Connector	1
5	G-1250-1070N	Flatwasher, 3/8 Narrow	8
6	G-1100-107026	Bolt, HH Grade 5, 3/8 x 2 3/4 LG	4
7	G-1251-1070R	Lockwasher, 3/8 Regular	4
8	G-1202-1070	Stopnut, 3/8 - 16 Elastic	4
9	H-1026*07.0	Assembly, Cable	2
10	G-1351-03	Rivet, Open End Steel	2
11	H-3233	Handle	2
12	G-1300-19040	Pin, 3/16 x 1/2 LG Roll	2
13	G-1310-0415	Pin, T-Handle Ball Lok, 1/4 Dia. X 1.5 Grip	2



APPENDIX - I

Declaration of Conformity



DECLARATION of CONFORMITY

The design, development and manufacture is in accordance with European Community guidelines

Steering Bar
01-1335-0000

Relevant provisions complied with by the machinery:
98/37/EEC

Relevant standards complied with by the machinery:

EN ISO 12100-1

Identification of person empowered to sign on behalf of the manufacturer:

A handwritten signature in black ink that reads "David L. Kiehl". The signature is written in a cursive style and is positioned above a horizontal line.

Quality Assurance Representative

Tronair, Inc.

1740 Eber Road
Holland, Ohio 43528-9794
USA

Telephone: (419) 866-6301 • 800-426-6301

Fax: (419) 867-0634

Web Site: www.tronair.com E-mail: sales@tronair.com