



OPERATION & SERVICE MANUAL

**Models: 01-1368-0000
NP0002-001
NLG Wheel Manual Steering**



11/2022 - Rev. 02

**For Spare Parts, Operations & Service Manuals or Service Needs
Scan the QR code or visit [Tronair.com/aftermarket](https://www.tronair.com/aftermarket)**



Tronair, Inc.
1 Air Cargo Pkwy East
Swanton, OH 43558

Phone: (419) 866-6301 | 800-426-6301
Web: www.tronair.com
Email: sales@tronair.com

REVISION
01

DATE
01/2014

TEXT AFFECTED
Original release

TABLE OF CONTENTS

PAGE

1.0	PRODUCT INFORMATION	1
1.1	DESCRIPTION.....	1
1.2	MODEL & SERIAL NUMBER.....	1
1.3	MANUFACTURER	1
1.1	SPECIFICATIONS	1
2.0	PROVISION OF SPARES.....	1
2.1	SOURCE OF SPARE PARTS.....	1
2.2	RECOMMENDED SPARE PARTS LISTS	1
3.0	GUARANTEES/LIMITATION OF LIABILITY	2
4.0	APPENDICIES	2

Tronair towbars/heads must only be used with matching Tronair heads/towbars, and Tronair shear pins.

This product can not be modified without the written approval of Tronair, Inc. Any modifications done without written approval voids all warranties and releases Tronair, Inc., its suppliers, distributors, employees, or financial institutions from any liability from consequences that may occur. Only Tronair OEM replacement parts shall be used.

1.0 PRODUCT INFORMATION

1.1 DESCRIPTION

The Tronair Model 01-1368-0000, NP0002-001 is used for manual towing of the NLG wheel of the Dassault Falcon SMS.

1.2 MODEL & SERIAL NUMBER

Reference nameplate on unit

1.3 MANUFACTURER

TRONAIR, Inc.
1 Air Cargo Pkwy East
Swanton, Ohio 43558 USA

Telephone: (419) 866-6301 or 800-426-6301
Fax: (419) 867-0634
E-mail: sales@tronair.com
Website: www.tronair.com

1.1 SPECIFICATIONS

Length 80-3/64 in (203.3 cm)
Width 12 3/4 in (32.4 cm)
Height 2-5/16 in (7.5 cm)
Weight 23 lbs (10.4 kg)
Finish Blue Powder Coat

2.0 PROVISION OF SPARES

2.1 SOURCE OF SPARE PARTS

Spare parts may be obtained from the manufacturer:

TRONAIR, Inc.
1 Air Cargo Pkwy East
Swanton, Ohio 43558 USA

Telephone: (419) 866-6301 or 800-426-6301
Fax: (419) 867-0634
E-mail: sales@tronair.com
Website: www.tronair.com

For Spare Parts, Operations & Service Manuals or Service Needs:
Scan the QR code or visit Tronair.com/aftermarket

2.2 RECOMMENDED SPARE PARTS LISTS

Reference the following page(s) for Replacement Parts and Kits available.



3.0 GUARANTEES/LIMITATION OF LIABILITY

Tronair products are warranted to be free of manufacturing or material defects for a period of one year after shipment to the original customer. This is solely limited to the repair or replacement of defective components. This warranty does not cover the following items:

- a) Parts required for normal maintenance
- b) Parts covered by a component manufacturers warranty
- c) Replacement parts have a 90-day warranty from date of shipment

If you have a problem that may require service, contact Tronair immediately. Do not attempt to repair or disassemble a product without first contacting Tronair, any action may affect warranty coverage. When you contact Tronair be prepared to provide the following information:

- a) Product Model Number
- b) Product Serial Number
- c) Description of the problem

If warranty coverage is approved, either replacement parts will be sent or the product will have to be returned to Tronair for repairs. If the product is to be returned, a Return Material Authorization (RMA) number will be issued for reference purposes on any shipping documents. Failure to obtain a RMA in advance of returning an item will result in a service fee. A decision on the extent of warranty coverage on returned products is reserved pending inspection at Tronair. Any shipments to Tronair must be shipped freight prepaid. Freight costs on shipments to customers will be paid by Tronair on any warranty claims only. Any unauthorized modification of the Tronair products or use of the Tronair products in violation of cautions and warnings in any manual (including updates) or safety bulletins published or delivered by Tronair will immediately void any warranty, express or implied.

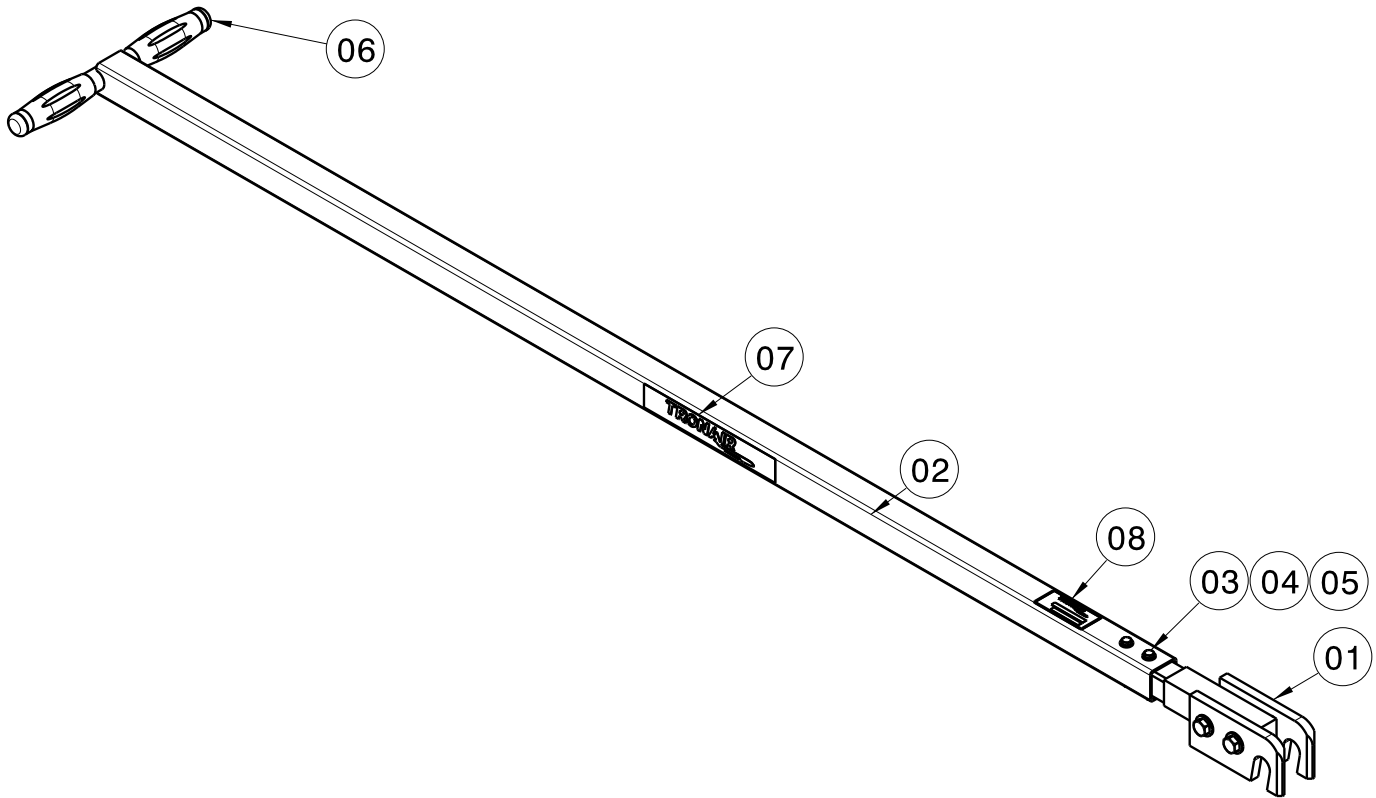
The obligations of Tronair expressly stated herein are in lieu of all other warranties or conditions expressed or implied. **Any unauthorized modification of the Tronair products or use of the Tronair products in violations of cautions and warnings in any manual (including updates) or safety bulletins published or delivered by Tronair will immediately void any warranty, express or implied and Tronair disclaims any and all liability for injury (WITHOUT LIMITATION and including DEATH), loss or damage arising from or relating to such misuse.**

4.0 APPENDICIES

APPENDIX I Declaration of Conformity

Parts List

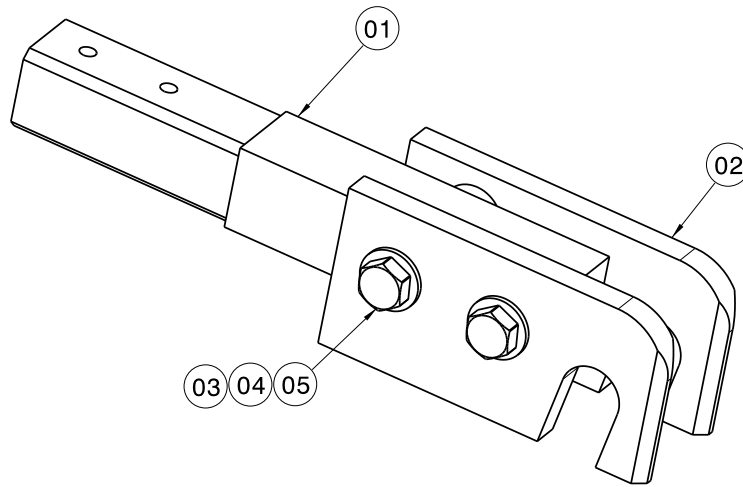
When ordering Replacement Parts/Kits, please specify Model, Color and Serial Number of your Unit



Item	Part Number	Description	Qty
1	X-1221	ASSEMBLY, HEAD	1
2	Z-8174-01	WELDMENT, TOWBAR	1
3	G-1100-105024	BOLT, HH GR 5, ¼ - 20 X 2 ½ LONG	2
4	G-1202-1050	ESN, ¼ - 20	2
5	G-1250-1050N	FLATWASHER, ¼	4
6	H-1223	GRIP, HANDLE	2
7	V-1002	LABEL, TRONAIR, INC.	2
8	V-1003	LABEL, SERIAL NUMBER	1
N/S	V-2906	LABEL, FALCON 6X	1

Parts List

When ordering Replacement Parts/Kits, please specify Model, Color and Serial Number of your Unit



Item	Part Number	Description	Qty
1	J-5503	BAR, MOUNTING	1
2	J-5502	ADAPTOR, AXLE	2
3	G-1100-109034	BOLT, HH GR 5, ½ - 13 X 3 ½ LONG	2
4	G-1202-1090	ESN, ½ - 13	2
5	G-1250-1090N	FLATWASHER, ½ NARROW	4



APPENDIX I

Declaration of Conformity



DECLARATION of CONFORMITY

The design, development and manufacture is in accordance with European Community guidelines

NLG Wheel Manual Steering
01-1368-0000

Relevant provisions complied with by the machinery:
2006/42/EC

Relevant standards complied with by the machinery:
EN ISO 12100-1

Identification of person empowered to sign on behalf of the manufacturer:

A handwritten signature in black ink that reads "Patrick Finch". The signature is written in a cursive style and is positioned above a horizontal line.

Quality Assurance Representative

