

Model: 02A7849C0120
10 Ton (9 Metric Ton)
Three Stage Jack



09/2023 - Rev. 04

For Spare Parts, Operations & Service Manuals or Service Needs
Scan the QR code or visit Tronair.com/aftermarket



| REVISION | DATE | TEXT AFFECTED |
|----------|---------|---|
| 01 | 02/2008 | Original Release |
| 02 | 01/2012 | Modified 7.4.2 Jack Instructions, 10.0 Trouble Shooting, and Parts List |
| 03 | 08/2013 | Major revision |
| 04 | 09/2023 | Major revision |

TABLE OF CONTENTS

| | <u>PAGE</u> |
|--|-------------|
| 1.0 PRODUCT INFORMATION | 1 |
| 1.1 DESCRIPTION..... | 1 |
| 1.2 MODEL & SERIAL NUMBER..... | 1 |
| 1.3 MANUFACTURER | 1 |
| 2.0 SAFETY INFORMATION | 1 |
| 2.1 USAGE AND SAFETY INFORMATION | 1 |
| 2.2 WARNING AND DANGER SIGNS..... | 1 |
| 2.3 COMPONENT SAFETY FEATURES | 1 |
| 2.4 FUNCTIONAL SAFETY FEATURES | 1 |
| 2.5 FEATURES FOR OPERATOR SAFETY: | 1 |
| 2.6 ENVIRONMENTAL SAFETY FEATURES | 1 |
| 2.7 NECESSARY PERSONAL PROTECTIVE EQUIPMENT | 2 |
| 2.8 SAFETY GUIDELINES | 2 |
| 2.9 CONDITIONS FOR SAFE USE | 2 |
| 2.10 OPERATOR QUALIFICATIONS | 2 |
| 2.11 ADDITIONAL SAFETY MEASURES..... | 2 |
| 2.12 IN CASE OF HYDRAULIC FAILURE | 2 |
| 3.0 TRAINING | 2 |
| 3.1 TRAINING REQUIREMENTS | 2 |
| 3.2 TRAINING PROGRAM | 2 |
| 3.3 OPERATOR TRAINING | 2 |
| 4.0 ASSEMBLY | 3 |
| 4.1 GENERAL INSTRUCTIONS | 3 |
| 4.2 PRE-USE CHECKS | 3 |
| 4.3 PERSONNEL REQUIREMENTS | 3 |
| 4.4 INSPECTION AND TEST PROCEDURES: | 3 |
| 5.0 INSTALLATION | 3 |
| 5.1 AIR SUPPLY REQUIREMENTS | 3 |
| 6.0 OPERATION | 4 |
| 6.1 OPERATING PARAMETERS: | 4 |
| 6.2 NUMERICAL VALUES | 4 |
| 6.3 OPERATOR CONTROLS | 4 |
| 6.4 OPERATING INSTRUCTIONS | 4 |
| 6.4.1 Rules For Operating | 5 |
| 6.4.2 Jack Instructions | 5 |
| 7.0 PACKAGING AND STORAGE | 6 |
| 7.1 PACKAGING REQUIREMENTS | 6 |
| 7.2 HANDLING | 6 |
| 7.3 STRAPPING | 6 |
| 7.4 PACKAGING PROTECTION | 6 |
| 7.5 LABELING OF PACKAGING | 6 |
| 7.6 STORAGE COMPATIBILITY | 6 |
| 7.7 STORAGE ENVIRONMENT | 6 |
| 7.8 STORAGE SPACE AND HANDLING FACILITIES | 6 |
| 8.0 TRANSPORTATION..... | 6 |
| 9.0 TROUBLE SHOOTING | 6 |
| 10.0 MAINTENANCE | 7 |
| 10.1 GENERAL | 7 |
| 10.2 MAINTENANCE SCHEDULE..... | 7 |
| 10.2.1 Storage/Low Usage..... | 7 |
| 10.3 REMOVING AND SERVICING PUMP | 7 |
| 10.4 JACK FUNCTION LOAD TEST..... | 7 |
| 10.5 PNEUMATIC PUMP..... | 7 |
| 11.0 PROVISION OF SPARES..... | 8 |
| 11.1 SOURCE OF SPARE PARTS..... | 8 |
| 11.2 RECOMMENDED SPARE PARTS LISTS | 8 |
| 12.0 IN-SERVICE SUPPORT..... | 8 |
| 13.0 GUARANTEES/LIMITATION OF LIABILITY | 8 |
| 14.0 APPENDICES | 8 |

This product can not be modified without the written approval of Tronair, Inc. Any modifications done without written approval voids all warranties and releases Tronair, Inc., its suppliers, distributors, employees, or financial institutions from any liability from consequences that may occur. Only Tronair OEM replacement parts shall be used.

1.0 PRODUCT INFORMATION

1.1 DESCRIPTION

10 TON THREE STAGE JACK

The device is intended to lift an aircraft by its fuselage and/or main wing with other hydraulic jacks arranged by position and quantity to provide proper balance, and in conjunction with the correct jack pad, whose maximum load on any one jack does not exceed the rated capacity of the jack.

The jacks are not intended for metal forming, metal working, or any purpose other than that stated above.

1.2 MODEL & SERIAL NUMBER

Reference nameplate on unit

1.3 MANUFACTURER

TRONAIR, Inc.
1 Air Cargo Pkwy East
Swanton, Ohio 43558 USA

Telephone: (419) 866-6301 or 800-426-6301
Fax: (419) 867-0634
E-mail: sales@tronair.com
Website: www.tronair.com

2.0 SAFETY INFORMATION

2.1 USAGE AND SAFETY INFORMATION

To ensure safe operations please read the following statements and understand their meaning. Also refer to your equipment manufacturer's manual for other important safety information. This manual contains safety precautions which are explained below. Please read carefully.



WARNING!

Warning is used to indicate the presence of a hazard that can cause **severe personal injury, death, and/or substantial property damage** if the Warning Notice is ignored.



CAUTION!

Caution is used to indicate the presence of a hazard, which will or can cause **minor personal injury or property damage** if the Caution Notice is ignored.

2.2 WARNING AND DANGER SIGNS

See labels on unit.



WARNING!

The ram locknuts are user operated safety devices. Failure to utilize these locknuts may result in personal injury or death.

2.3 COMPONENT SAFETY FEATURES

Ram Locknut prevents lowering of the ram. The Ram Locknut must be lowered as the aircraft is being lifted.

Hold to Run Air Valve requires the operator to hold the air valve lever to raise the ram using the air pump. Releasing the air valve lever stops upward movement of the ram.

2.4 FUNCTIONAL SAFETY FEATURES

Pressure Relief Valve prevents overload during raising operations.

2.5 FEATURES FOR OPERATOR SAFETY:

- Hold to Run Air Valve
- Cautions And Instruction Labels Located on Jack
- Ram Locknut

2.6 ENVIRONMENTAL SAFETY FEATURES

Jack is non-polluting. See Appendix V Safety Data Sheet for the recommended hydraulic fluid (MIL-PRF-5606).

2.7 NECESSARY PERSONAL PROTECTIVE EQUIPMENT



CAUTION!

Always wear safety glasses.

2.8 SAFETY GUIDELINES



CAUTION!

Do not place hands on top of jack near ram locknuts while lowering jack.

Pinch points exist between top of jack and threads on ram.

- Never put hands between the aircraft and the jack pad; as after aircraft has been lowered, struts may have hung up.
- Never align jack under aircraft by pounding on jack legs. Dented legs may lead to jack collapse.
- Always lower ram locking nut(s) after jack is under load. Be sure ram nut(s) is seated fully after jacking.
- Always raise and lower jacks simultaneously so that aircraft remains level.
- Always use a tail or nose stand, as applicable, for additional stability.



WARNING!

The ram locknuts are user operated safety devices.
Failure to utilize these locknuts may result in personal injury or death.

2.9 CONDITIONS FOR SAFE USE

- Use in a clean dry environment on a level surface
- Operate between -20° C and 50°C/-4° F and 122° F

2.10 OPERATOR QUALIFICATIONS

This jack is intended to be used by the skilled and trained aircraft technician. The operator must be familiar with the jacking procedures for the aircraft to be raised, and the operation of the jack.

Installation/Maintenance/Dismantling Qualifications: This jack is to be installed, maintained, and dismantled by qualified technicians familiar with hydraulic systems.

2.11 ADDITIONAL SAFETY MEASURES

This jack must be used in accordance with this technical manual, and in accordance with the aircraft manufacturer's jacking procedures.

2.12 IN CASE OF HYDRAULIC FAILURE

Proper use of the ram locknuts will prevent lowering of the ram. To prevent unintentional descent ram locking nuts must be kept within 2 inches of the stop while raising the jack.

3.0 TRAINING

3.1 TRAINING REQUIREMENTS

The employer of the operator is responsible for providing a training program sufficient for the safe operation of the unit. This jack must be used in accordance with aircraft manufacturer's instructions.

3.2 TRAINING PROGRAM

The employer provided operator training program should cover safety procedures concerning use of the unit in and around the intended aircraft at the intended aircraft servicing location.

3.3 OPERATOR TRAINING

The operator training should provide the required training for safe operation of the unit.

NOTE: Maintenance and Trouble Shooting are to be performed by a skilled and trained technician.

4.0 ASSEMBLY

This product is shipped completely assembled and tested and requires no further assembly before operation. The following sections apply when servicing the unit.

4.1 GENERAL INSTRUCTIONS

- This product should be assembled and/or repaired using good workmanship practices and proper tools. Bolts and elastic stopnuts should be tightened to a torque not to exceed industry standards for Grade '5' bolts.
- All replacement parts must be the same as or better than the original parts supplied.
- Dispose of waste per federal and local laws and regulations.
- No modifications are allowed that will adversely affect the jack's safety performance.
- The pressure relief valve is not serviceable. It must be replaced as a unit.

4.2 PRE-USE CHECKS

1. Refer to the Illustrated Parts List to identify and ensure that all parts are present.
2. Generally, check over unit to assure the tightness of all nuts, bolts and fittings.
3. With rams completely collapsed, check hydraulic fluid level.
 - Replenish with MIL-PRF-5606 fluid as required.
 - FLUID LEVEL: $\frac{3}{4}$ in (19 mm) below vent.

NOTE: Refer to fluid manufacturer's safety data sheet, and advisory for handling and disposal of fluid.

4.3 PERSONNEL REQUIREMENTS

This jack is to be assembled by qualified technicians familiar with hydraulic systems.

4.4 INSPECTION AND TEST PROCEDURES:

1. Ensure fluid level is within $\frac{3}{4}$ in (19 mm) from reservoir vent cap.
2. Raise ram to full stroke, and check for leaks.

5.0 INSTALLATION

Installation and commissioning require connection of the hold to run air valve to an adequate air supply (Air Pump Equipped Models Only).

5.1 AIR SUPPLY REQUIREMENTS

90 - 100 psi (6.21 – 6.89 bar)

6.0 OPERATION

6.1 OPERATING PARAMETERS:

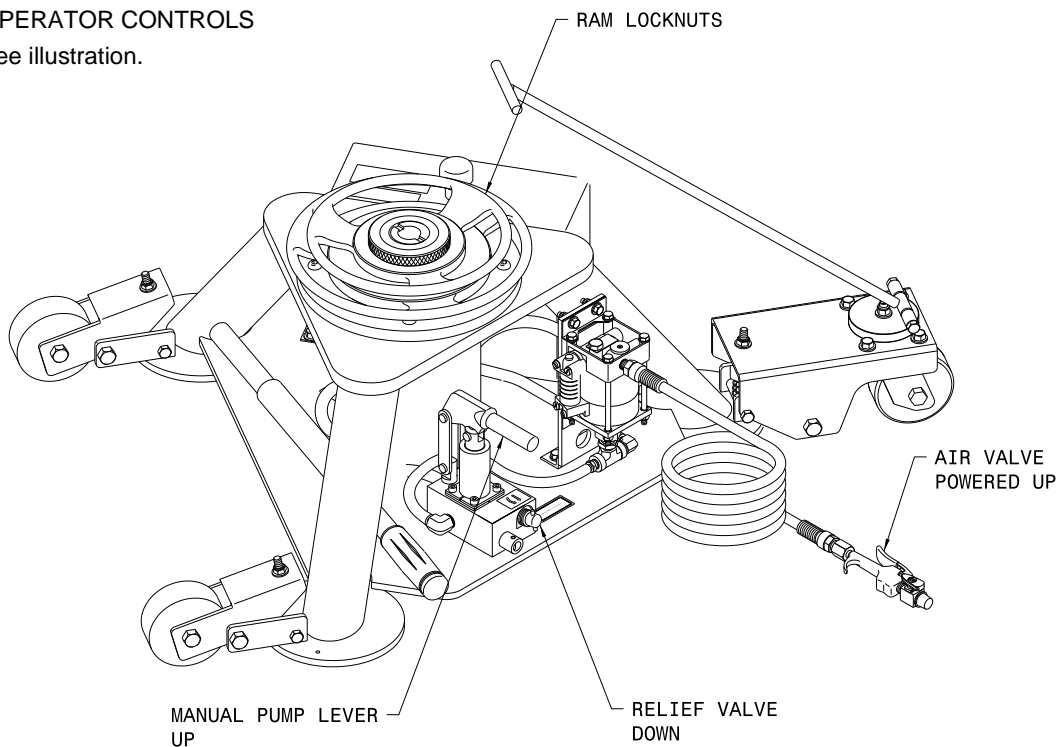
- The user shall work in accordance with the Operation and Service Manual.
- It is not allowed to work under the raised load until it is secured by suitable means, i.e. Ram Locknut.
- The employer of the operator shall provide for all necessary training and give information about pumping and translating forces.
- Operate between -20° C and 50°C/-4° F and 122° F.

6.2 NUMERICAL VALUES

| | |
|---|---|
| Rated Capacity..... | 20,000 lbs (9,072 kg) |
| Roll Under Height..... | 15 1/16 in (38.3 cm) |
| Mechanical Extension | 8 5/8 in (22 cm) |
| Hydraulic Extension..... | 22 15/16 in (58.6 cm) |
| Maximum Height Obtainable | 45 7/8 in (116.5 cm) with casters collapsed and pads on floor |
| Weight..... | 284 lbs (128.8 kg) |
| Pressure Relief Setting..... | 3250 + 300/-0 PSIG (224 +21/-0 bar) |
| Noise level is 64 dB(A) at a distance of 120 in (3048 mm) at an inlet pressure of 100 psi (6.9 bar) | |

6.3 OPERATOR CONTROLS

See illustration.



6.4 OPERATING INSTRUCTIONS

The user should be familiar with the following statements prior to using the jack(s):



CAUTION!

1. Never put hands between the aircraft and the jack pad; as after aircraft has been lowered, struts may have hung up.
2. Never align jack under aircraft by pounding on jack legs. Dented legs may lead to jack collapse.
3. Always lower ram locking nut(s) after jack is under load. Be sure ram nut(s) is seated fully after jacking.
4. Always raise and lower jacks simultaneously so that aircraft remains level.
5. Always use a tail or nose stand, as applicable, for additional stability.



WARNING!

When collapsing rams by hand miss-staging may occur and cause pinch points. To collapse ram, add a minimum 50 lb load to the mechanical extension. Keep hands and fingers clear of locking nuts. Failure to adhere to this safety instruction can cause injury.

6.4.1 Rules For Operating

1. The user shall work in accordance with the Operation and Service Manual.
2. It is not allowed to work under the raised load until it is secured by suitable means, i.e. Ram Locknut.
3. The employer of the operator shall provide for all necessary training and give information about pumping and translating forces.
4. Operate between -20° C and 50°C/-4° F and 122° F.

6.4.2 Jack Instructions

To Raise Aircraft:

1. Place jack on a hard, level surface.
2. Raise mechanical extension as close to aircraft jack pad as possible.
3. Close pump release valve by turning clockwise.

NOTE: Turning the pump release valve counter-clockwise lowers the jack. Turning the pump release valve clockwise stops the jack's descent, and allows it to be raised.

4. If air pump is to be used, be sure shop air needle valve is closed and attach shop air (125 psi/8.6 bars Maximum) to needle valve. Open needle valve and operate air pump. Close needle valve when ram reaches required height.
5. Hydraulic rams must be completely retracted before operating the jack.
6. Close pump release valve and operate pump.
7. Hydraulic rams must extend in order from largest to smallest diameter.
8. Largest diameter hydraulic ram must fully extend before the next stage ram begin to raise.
9. Lower mechanical lock nut(s) while extending rams. Keep lock nut within 1 inch of bottom on extending ram.
10. Do not continue to operate air pump after all rams have fully extended.

**WARNING!**

- **The ram locknuts are user operated safety devices. Failure to utilize these locknuts may result in personal injury or death.**
- **Do not place hands on top of jack near ram locknuts while lowering jack. Pinch points exist between top of jack and threads on ram.**
- **Always wear safety glasses.**

To Lower Aircraft:

1. Lower all jacks simultaneously.
2. If ram locking nut(s) is tight, raise jack slightly to release nut(s) ¼ " from tripod
3. Ensure proper staging as aircraft is being lowered: loosen locknut beginning with smallest ram (1" max) until stage is completely lowered. Repeat for next smallest stage.
4. Loosen pump release valve slightly to slowly lower aircraft.

NOTE: When using the jack during washing operations, completely cover top of jack near ram seal to protect from dirt and foreign matter that might get on or between the ram and cylinder causing damage to the seals and O-rings.

7.0 PACKAGING AND STORAGE

7.1 PACKAGING REQUIREMENTS

Jacks are to be packaged as required to prevent damage to legs or hydraulic equipment during shipment.

7.2 HANDLING

Jacks can be rolled by hand on its casters.

7.3 STRAPPING

Jacks can be strapped down by suitable means to prevent unwanted movement during shipment.

7.4 PACKAGING PROTECTION

No special packaging material for cushioning or suspension is required.

7.5 LABELING OF PACKAGING

Packaging should be labeled DO NOT DROP.

7.6 STORAGE COMPATIBILITY

No special considerations.

7.7 STORAGE ENVIRONMENT

- Store jacks between -20°C and +50°C/-4° F and 122° F
- Always store jack with ram all the way down
- Suitable for outdoor storage by using a full coverage waterproof tarp or canvas

7.8 STORAGE SPACE AND HANDLING FACILITIES

Roll Under Height..... 15 1/16 in (38.3 cm)
 Mechanical Extension 8 5/8 in (22 cm)
 Hydraulic Extension..... 22 15/16 in (58.6 cm)
 Maximum Height Obtainable 45 7/8 in (116.5 cm) with casters collapsed and pads on floor
 Weight 284 lbs (128.8 kg)

8.0 TRANSPORTATION

Lifting can be accomplished by crane and strap thru top of tripod, or by fork truck under lower tripod support.
 Approximate weight 284 lbs (128.8 kg)

9.0 TROUBLE SHOOTING

| TROUBLE | PROBABLE CAUSE | ACTION |
|--|--|--|
| Fluid leakage at pump piston or pump body | Damaged backup ring, o-ring, piston or pump body | Remove piston and pump body. Inspect for damage. Replace defective part(s). Replace removed o-ring and backup ring |
| External fluid leakage at rams | Damaged o-ring, backup ring or inner cylinder wall | Remove rams as a unit from cylinder. Inspect parts. Replace o-ring and defective part(s) |
| Jack fails to lift rated load | Release valve not closed properly | Fully tighten release valve |
| | Low fluid level | Fill to correct fluid level |
| | Pressure relief valve improperly adjusted | Adjust or replace release valve |
| | Leakage at inlet or outlet check ball | Inspect valve body for wear or replace valve body and check balls |
| | Vent screw closed | Open vent screw |
| Rams will not support load after manual or pneumatic pump up | Leaking ram o-ring seals | Check for external leakage, if present replace defective seal and back up ring |
| | Leaking pressure check valve | Inspect valve body for wear or replace valve body and check balls |
| | Leaking pressure relief valve | Remove release valve, inspect ball and ball seat in pump block. Replace effective part(s) |
| Rams raise and fall with each manual pump stroke | Release valve open | Fully tighten release valve |
| | Inlet check valve not seated or sticking | Pump rapidly to dislodge or replace valve body |
| | Pressure check valve not seated or sticking | Pump rapidly to dislodge or replace valve body |
| Jack fails to lower | Ram locknut not loosened | Raise jack ¼ inch and release locknut |
| | Vent screw closed | Open vent screw |
| | O-Ring (pinched or rolled) | Replace o-ring and back-up ring, clean up cylinder wall of debris |

10.0 MAINTENANCE

10.1 GENERAL

- All maintenance and/or repair work should be done using good workmanship practices and proper tools.
- The work area should be clean and free of dirt.
- When O-rings and backup rings are removed, every effort should be made to avoid the contact of tools with the critical surfaces of parts. Surface deformities could cause degradation of seals and failure.
- It is good practice to replace both O-rings and backup rings once removed. Cut and damaged rings normally result in fluid leakage.
- At this time flush old hydraulic fluid and dirt from over-all system and replenish with new, clean hydraulic fluid.
- No modifications shall be carried out without prior written approval by Tronair.

10.2 MAINTENANCE SCHEDULE

| | |
|--|-----------------------|
| Check Fluid Level..... | Each Use |
| Lubricate Casters | 3 Months |
| Cleaning..... | Annually Or As Needed |
| Capacity Test (105%-110% of jack's rated capacity) | Annually |

NOTE: Wipe with soft cloth only, do no pressure wash or spray water directly at ram seal.

10.2.1 Storage/Low Usage

If jack is not being used on a regular basis, every 90 days the jack should be fully extended and retracted to exercise the seals and to prevent rust build up on the cylinder I.D. While ram is extended, clean the threads and spray with DoALL RPM, LPS, or equivalent that is water repellent and will not harm BUNA "N" O-rings.

10.3 REMOVING AND SERVICING PUMP

NOTE: If pump is found faulty, call the factory for replacement or replace seals as follows:

1. Review Appendix III HC-1961 Hand Pump Parts List.
2. Clamp suction (push on) hose and remove hose from pump.
3. Uncouple fitting of hydraulic hoses from pump.
4. Remove pump from jack.
5. Remove cotter pin from clevis pin.
6. Remove four (4) socket head cap screws.
7. Remove flanges.
8. Remove tube assembly.
9. Replace O-rings and backup ring. (See Appendix III for kits available.)
10. Re-assemble in reverse order.

10.4 JACK FUNCTION LOAD TEST

Note: If function load testing is required:

1. Take all necessary precautions to prevent injury.
2. Always jack against a load and **never** against the jack itself.
3. Do not exceed a test load equal to the jack rated capacity plus 10%.

10.5 PNEUMATIC PUMP

See Appendix II Haskel Air Pump Manufacturer Data for complete parts list and repair information.

11.0 PROVISION OF SPARES

11.1 SOURCE OF SPARE PARTS

Spare parts may be obtained from the manufacturer:

| | |
|-------------------------|---|
| TRONAIR , Inc. | Telephone: (419) 866-6301 or 800-426-6301 |
| 1 Air Cargo Pkwy East | Fax: (419) 867-0634 |
| Swanton, Ohio 43558 USA | E-mail: sales@tronair.com |
| | Website: www.tronair.com |

For Spare Parts, Operations & Service Manuals or Service Needs:
Scan the QR code or visit Tronair.com/aftermarket



11.2 RECOMMENDED SPARE PARTS LISTS

Reference the following page(s) for Replacement Parts and Kits available.

Recommended Spares to be kept on hand:

- K-4219.....Kit, Ram Seal Replacement
- K-1685.....Kit, Repair Fluid Seal (Air Option only)
- K-1686.....Kit, Repair Air Seal (Air Option only)
- K-3441.....Kit, Seal Replacement

12.0 IN-SERVICE SUPPORT

Contact Tronair, Inc. for technical services and information. See Section 1.3 – Manufacturer.

13.0 GUARANTEES/LIMITATION OF LIABILITY

Tronair products are warranted to be free of manufacturing or material defects for a period of one year after shipment to the original customer. This is solely limited to the repair or replacement of defective components. This warranty does not cover the following items:

- a) Parts required for normal maintenance
- b) Parts covered by a component manufacturers warranty
- c) Replacement parts have a 90-day warranty from date of shipment

If you have a problem that may require service, contact Tronair immediately. Do not attempt to repair or disassemble a product without first contacting Tronair, any action may affect warranty coverage. When you contact Tronair be prepared to provide the following information:

- a) Product Model Number
- b) Product Serial Number
- c) Description of the problem

If warranty coverage is approved, either replacement parts will be sent or the product will have to be returned to Tronair for repairs. If the product is to be returned, a Return Material Authorization (RMA) number will be issued for reference purposes on any shipping documents. Failure to obtain a RMA in advance of returning an item will result in a service fee. A decision on the extent of warranty coverage on returned products is reserved pending inspection at Tronair. Any shipments to Tronair must be shipped freight prepaid. Freight costs on shipments to customers will be paid by Tronair on any warranty claims only. Any unauthorized modification of the Tronair products or use of the Tronair products in violation of cautions and warnings in any manual (including updates) or safety bulletins published or delivered by Tronair will immediately void any warranty, express or implied.

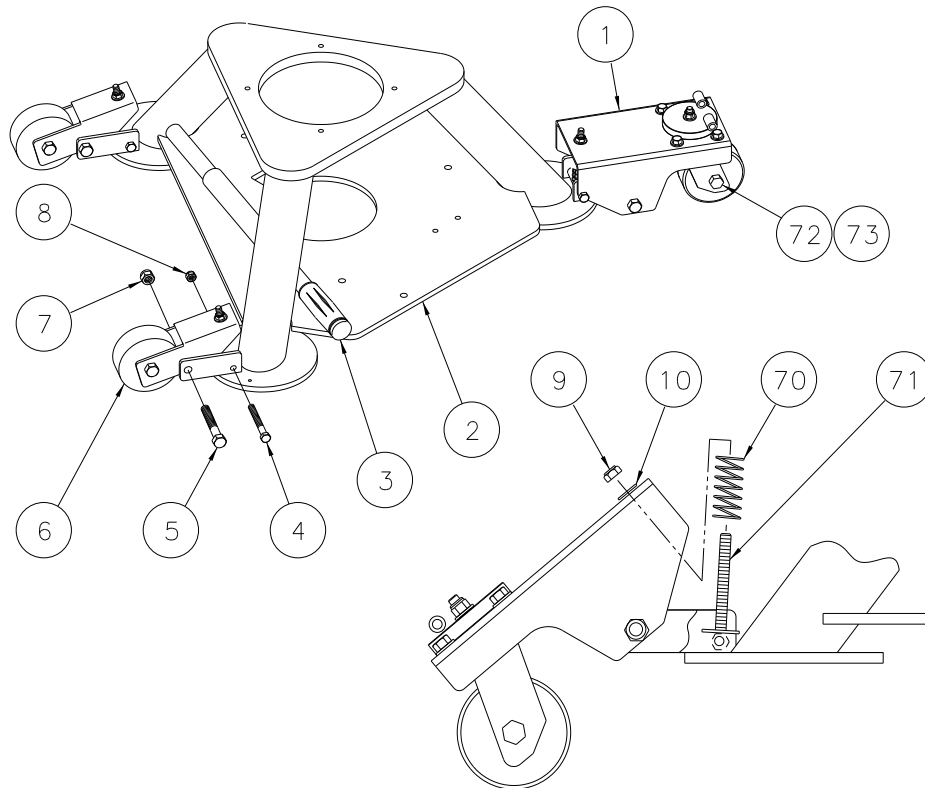
The obligations of Tronair expressly stated herein are in lieu of all other warranties or conditions expressed or implied. **Any unauthorized modification of the Tronair products or use of the Tronair products in violations of cautions and warnings in any manual (including updates) or safety bulletins published or delivered by Tronair will immediately void any warranty, express or implied and Tronair disclaims any and all liability for injury (WITHOUT LIMITATION and including DEATH), loss or damage arising from or relating to such misuse.**

14.0 APPENDICES

| | |
|--------------|--|
| APPENDIX I | Hydraulic Schematic |
| APPENDIX II | Haskel Air Pump Manufacturer Data |
| APPENDIX III | HC-1961 Hand Pump Parts List |
| APPENDIX IV | Declaration of Conformity |
| APPENDIX V | Safety Data Sheet – MIL-PRF-5606 Hydraulic Fluid |
| APPENDIX VI | Maintenance Schedule |

Parts List

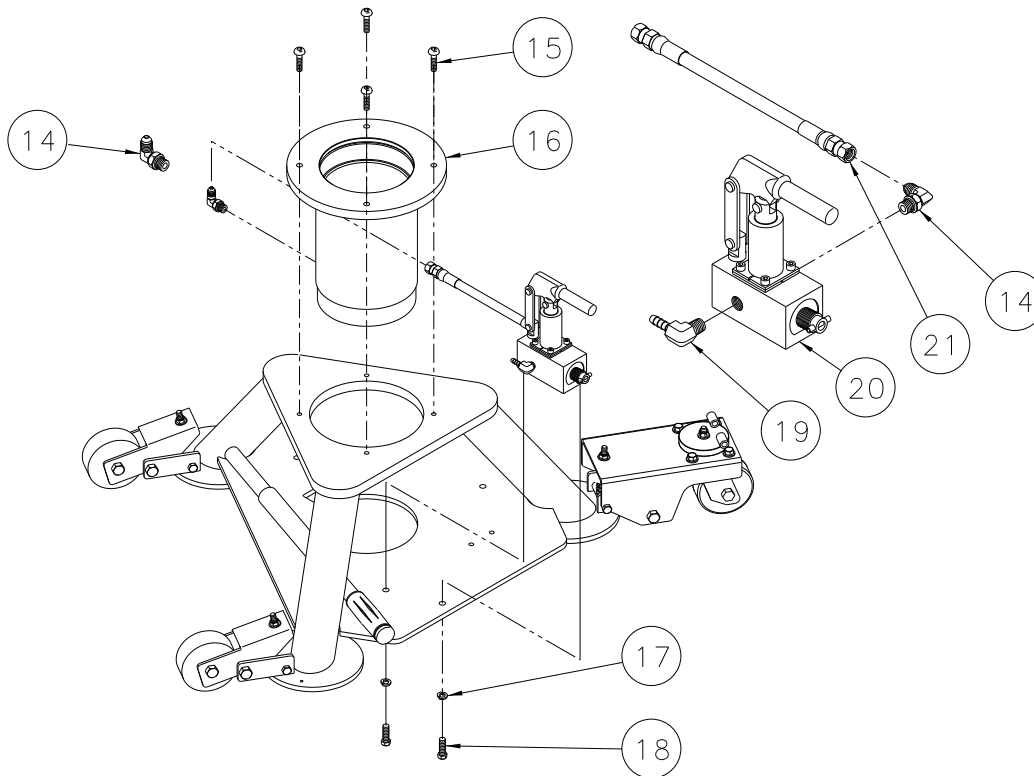
When ordering replacement parts/kits, please specify model, serial number and color of your unit.



| Item | Part Number | Description | Qty |
|------|----------------|--|-----|
| 2 | Z-4236-01 | Weldment, Tripod | 1 |
| 3 | H-1009-01 | Assembly, Handle (Pump) | 1 |
| | K-4156 | Kit, Front Wheel , consists of: | |
| 1 | Z-6587 | Assembly, Front Wheel | |
| 4 | G-1100-107532 | Bolt, Hex Head, Grade 5, 3/8 – 24 x 3 ¼ " long | 1 |
| 7 | G-1203-1095 | Jamnut, ½ - 20 Elastic | 1 |
| 8 | G-1203-1075 | Jamnut, 3/8 - 24 Elastic | 1 |
| 9 | G-1202-1075 | Stopnut, 3/8 – 24 Elastic | 1 |
| 10 | G-1250-1070N | Flatwasher, 3/8 Narrow | 1 |
| 70 | H-2210-08 | Spring | 1 |
| 71 | Z-6588 | Weldment, Pivot | 1 |
| 72 | G-1100-109560 | Bolt, HH, Grade 5, ½ – 20 x 6" in long | 1 |
| 73 | T378-03*001.00 | Tube, SS ½ ID | 2 |
| | K-3073 | Kit, Rear Wheel, consists of: | |
| 4 | G-1100-107532 | Bolt, Hex Head, Grade 5, 3/8-24 x 3-1/4" long | 1 |
| 5 | G-1100-109532 | Bolt, Hex Head, Grade 5, 1/2-20 x 3-1/4" long | 1 |
| 6 | Z-2322 | Assembly, Rear Wheel | 1 |
| 7 | G-1203-1095 | Jamnut, 1/2-20 Elastic | 1 |
| 8 | G-1203-1075 | Jamnut, 3/8-24 Elastic | 1 |
| 9 | G-1202-1075 | Stopnut, 3/8-24 Elastic | 1 |
| 10 | G-1250-1070N | Flatwasher, 3/8 Narrow | 1 |
| 11 | H-3398-07 | Spring | 1 |
| 12 | Z-2302 | Weldment, Pivot | 1 |

Parts List

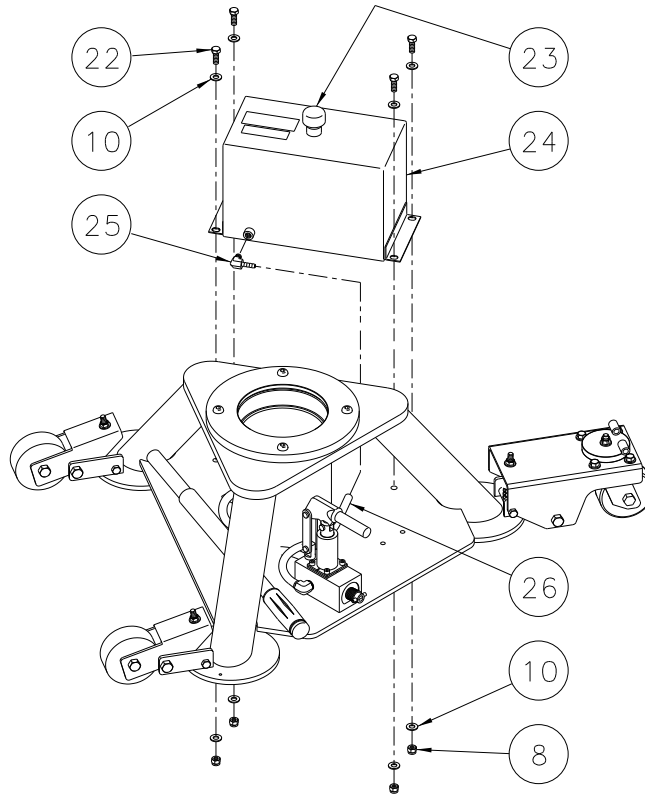
When ordering replacement parts/kits, please specify model, serial number and color of your unit.



| Item | Part Number | Description | Qty |
|------|-----------------|--|-----|
| 14 | N-2001-08-S-B | Elbow, 90° Male, SAE #6 x 3/8" O.D.- JIC 37° | 2 |
| | | <i>Note: (3) are required for 02A7849C0120</i> | 3 |
| 15 | G-1154-107214 | Capscrew, Socket Button Head, 3/8-16 x 1-1/2" long | 4 |
| 16 | Z-11980-01 | Weldment, Tube/Base | 1 |
| 17 | G-1251-1070R | Lockwasher, 3/8 Regular | 2 |
| 18 | G-1100-107010 | Bolt, Hex Head, Grade 5, 3/8-16 x 1" long | 2 |
| 19 | N-2788-04-S-B5 | Elbow, Male, 3/8" I.D. Hose x SAE #6 | 1 |
| 20 | HC-1961 | Pump, Hand | 1 |
| 21 | TF-1043-06*22.5 | Assembly, Hose, 22-1/2" long | 1 |

Parts List

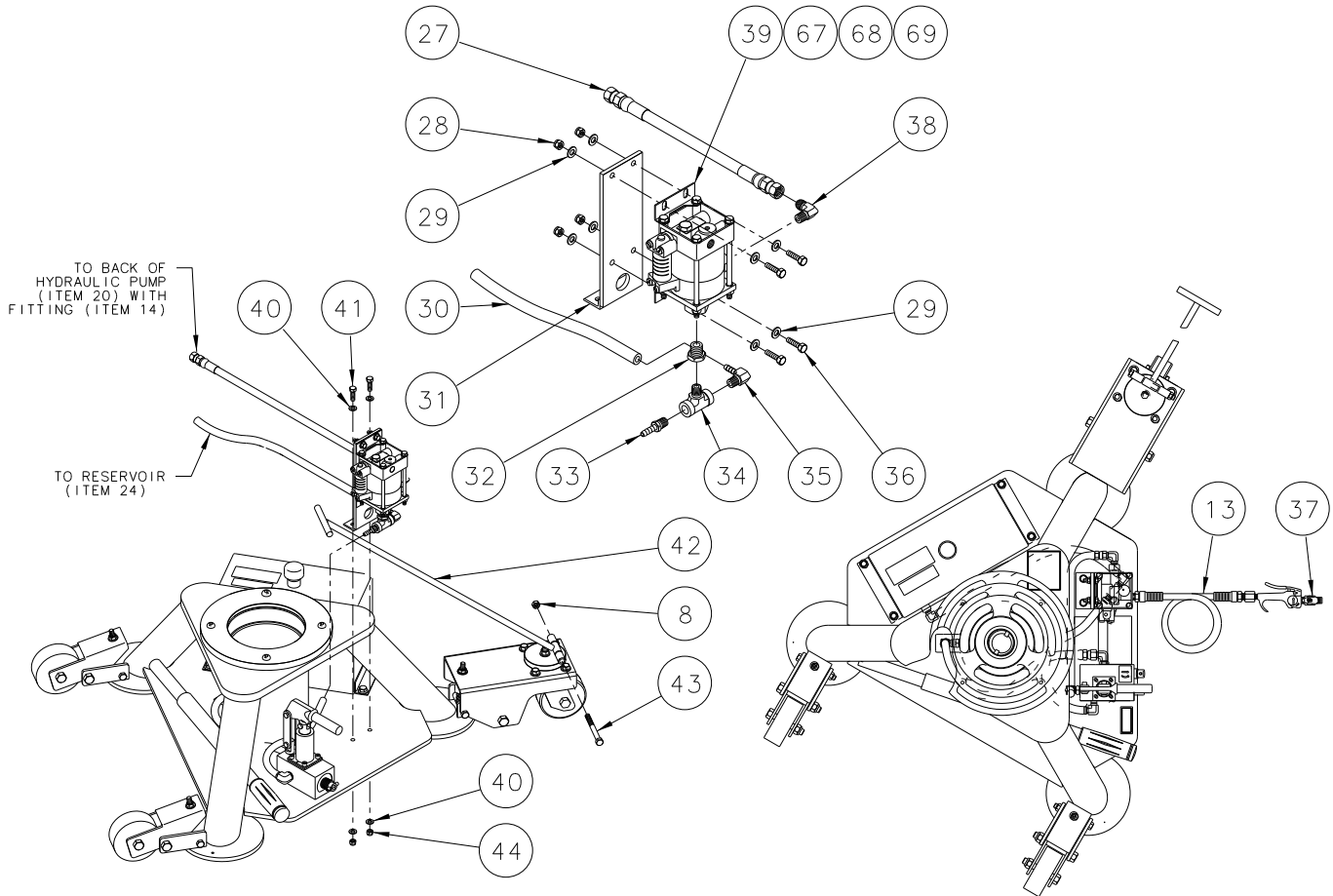
When ordering replacement parts/kits, please specify model, serial number and color of your unit.



| Item | Part Number | Description | Qty |
|------|---------------|---|-----|
| | K-3110 | Kit, Reservoir; consists of: | |
| 8 | G-1203-1075 | Jamnut, 3/8-24 Elastic | 4 |
| 10 | G-1250-1070N | Flatwasher, 3/8 Narrow | 8 |
| 22 | G-1100-107510 | Bolt, Hex Head, Grade 5, 3/8-24 x 1" long | 4 |
| 23 | H-1045 | Breather | 1 |
| 24 | Z-4249-01 | Weldment, Reservoir (includes Labels) | 1 |
| 25 | N-2410-04 | Elbow, 90° Male, 3/8" I.D. Hose x 1/4 NPT | 1 |
| 26 | TF-1047-04*14 | Hose, 3/8" Push-on x 14" long | 1 |

Parts List

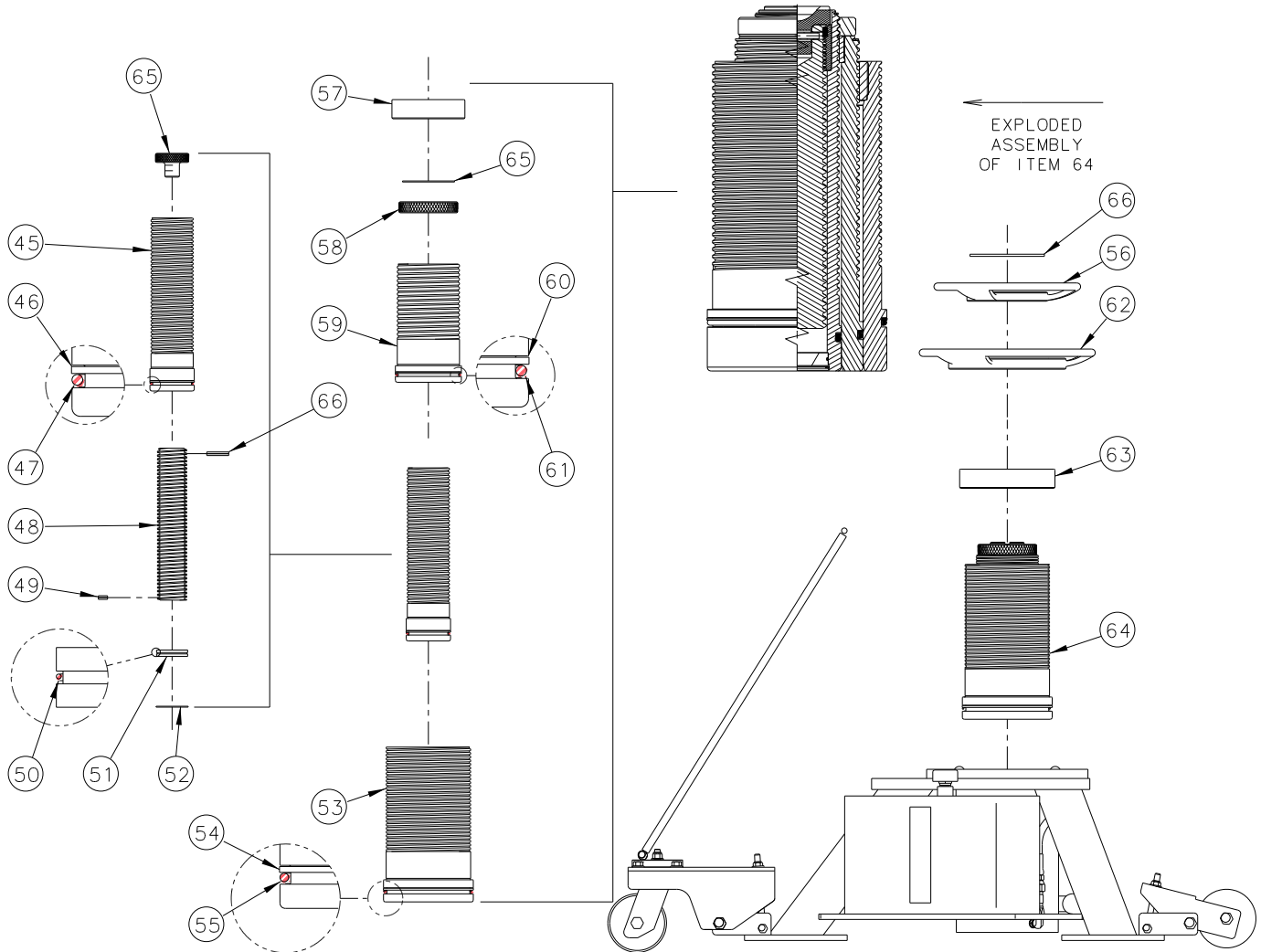
When ordering replacement parts/kits, please specify model, serial number and color of your unit.



| Item | Part Number | Description | Qty |
|------|-----------------|--|-----|
| N/S | H-1516-11 | Clamp, 2 Ear Hose | 1 |
| | K-3144 | Kit, Air Pump; consists of: | |
| 27 | TF-1043-03*16.0 | Assembly, Hose, 16" long | 1 |
| 28 | G-1202-1055 | Stopnut, 1/4-28 Elastic | 4 |
| 29 | G-1250-1050N | Flatwasher, 1/4 Narrow | 8 |
| 30 | TF-1047-04*16.0 | Hose, 3/8" Push-on x 16" long | 1 |
| 31 | J-3415-01 | Bracket, Air Pump | 1 |
| 32 | N-2210-05-S | Reducer, 3/8 NPT Male x 1/4 NPT Male | 1 |
| 33 | N-2412-10 | Connector, Straight Male, 3/8" I.D. Hose x 1/4 NPT | 1 |
| 34 | N-2208-03-S | Tee, Male Branch, 1/4 NPT | 1 |
| 35 | N-2410-04 | Elbow, 90° Male, 3/8 Hose x 1/8 NPT | 1 |
| 36 | G-1100-105510 | Bolt, Hex Head, Grade 5, 1/4-28 x 1" long | 4 |
| 37 | H-1173 | Valve, Plug | 1 |
| 38 | N-2005-08-S | Elbow, 90° Male, 3/8" O.D.-37° JIC x 1/4 NPT | 1 |
| 39 | H-1174 | Pump, Air | 1 |
| 40 | G-1250-1060N | Flatwasher, 5/16 Narrow | 4 |
| 41 | G-1100-106512 | Bolt, Hex Head, Grade 5, 5/16-24 x 1-1/4" long | 2 |
| 44 | G-1202-1065 | Stopnut, 5/16-24 Elastic | 2 |
| | K-3078 | Kit, Handle; consists of: | |
| 8 | G-1203-1075 | Jamnut, 3/8-24 Elastic | 1 |
| 42 | Z-2301-02 | Weldment, Handle | 1 |
| 43 | G-1100-107540 | Bolt, Hex Head, Grade 5, 3/8-24 x 4" long | 1 |
| 13 | K-3333 | Assembly, Blowgun | 1 |

Parts List

When ordering replacement parts/kits, please specify model, serial number and color of your unit.



| Item | Part Number | Description | Qty |
|------|---------------|-------------------------------|---|
| 45 | Z-6479 | Ram, Third Stage | 1 |
| 51 | R-1442 | Plug, Piston | 1 |
| 53 | TR-1977 | Ram, First Stage | 1 |
| 56 | H-2356 | Locknut, Second Stage | 1 |
| 57 | TR-1978 | Tube, Stop | 1 |
| 58 | TR-1654 | Locknut, Third Stage | 1 |
| 59 | Z-6481 | Ram, Second Stage | 1 |
| 62 | H-2327 | Locknut, First Stage | 1 |
| 63 | TR-1980 | Tube, Stop | 1 |
| 64 | Z-6482 | Assembly, Ram | 1 |
| 65 | G-1397-262 | Ring, Retaining | 1 |
| 66 | G-1397-393 | Ring, Retaining | 1 |
| 69 | 28442 | Lubricant, Haskel Seal | Reference Appendix II - Haskel MLP-20/46D |
| 67 | K-1685 | Kit, Repair Fluid Seal | Reference Appendix II - Haskel MLP-20/46D |
| 68 | K-1686 | Kit, Repair Air Seal | Reference Appendix II - Haskel MLP-20/46D |

Parts List

When ordering replacement parts/kits, please specify model, serial number and color of your unit.

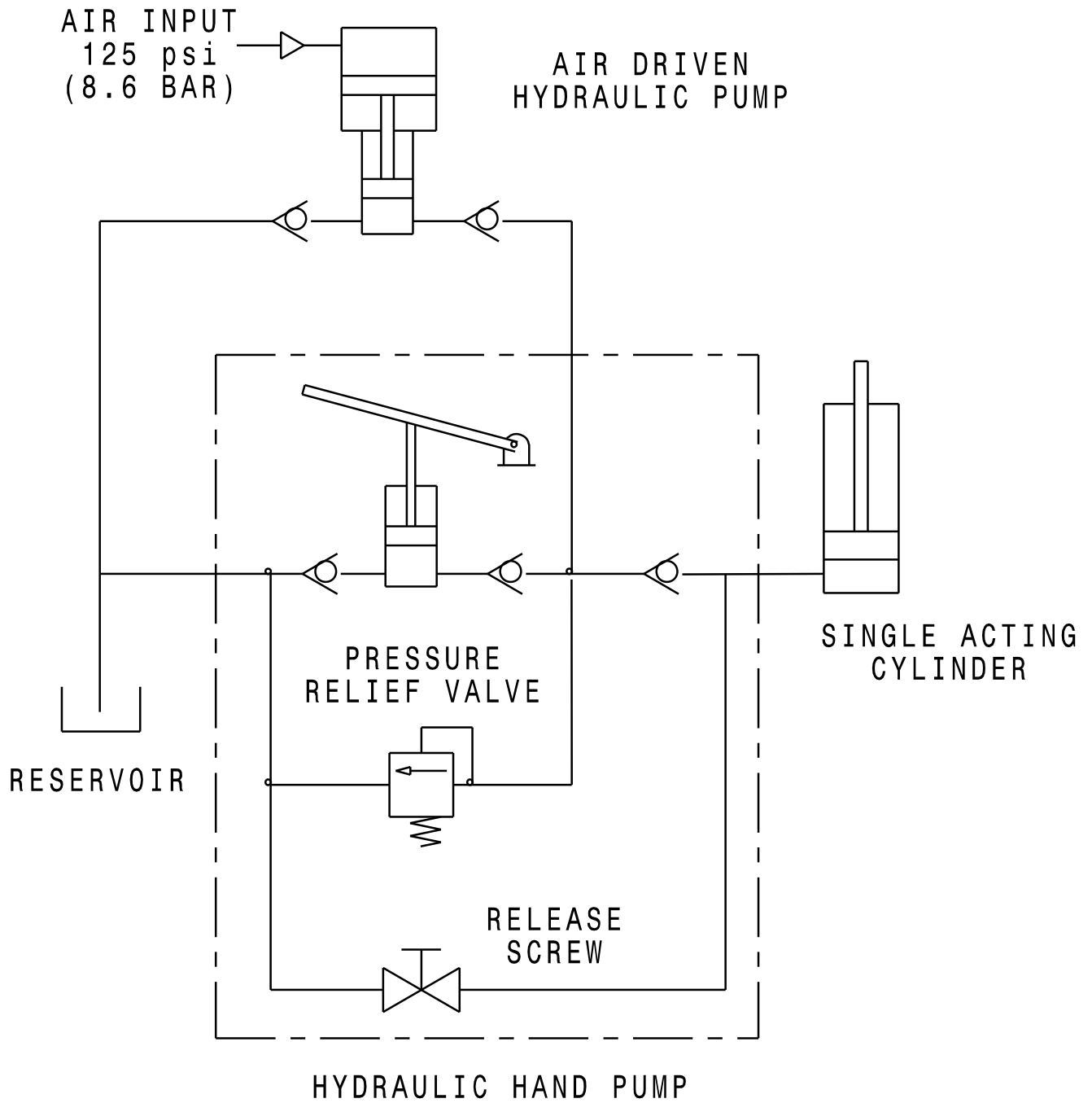
| Item | Part Number | Description | Qty |
|------|---------------|--|-----|
| | K-3111 | Kit, Mechanical Extension; consists of: | |
| 48 | R-1964 | Extension, Mechanical | 1 |
| 49 | G-1300-25050 | Pin, Roll | 1 |
| 50 | HC-2000-033 | O-ring | 1 |
| 52 | G-1398-212 | Ring, Internal | 1 |
| | K-3148 | Kit, Jack Pad; consists of: | |
| 67 | R-1963 | Pad, Jack | 1 |
| 68 | G-1300-25140 | Pin, Roll, 1/4" diameter x 1-1/2" long | 1 |
| | K-4219 | Kit, Ram Seal, consists of: | |
| 46 | HC-2020-334 | Backup Ring, Third Stage | 1 |
| 47 | HC-2000-334 | O-ring, Third Stage | 1 |
| 54 | HC-2020-359 | Backup Ring, First Stage | 1 |
| 55 | HC-2000-359 | O-ring, First Stage | 1 |
| 60 | HC-2020-346 | Backup Ring, Second Stage | 1 |
| 61 | HC-2000-346 | O-ring, Second Stage | 1 |



APPENDIX I

Hydraulic Schematic

Hydraulic Schematic





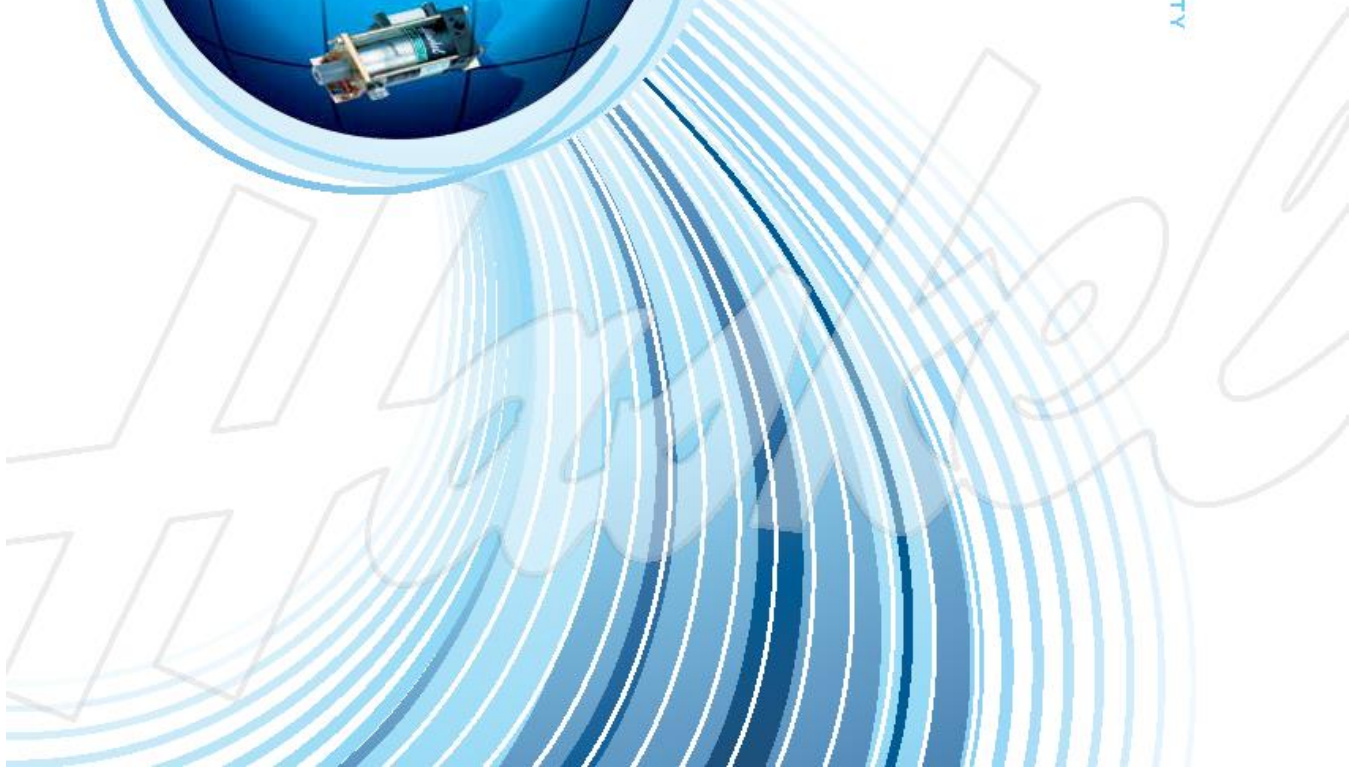
APPENDIX II

Haskel Air Pump Manufacturer Data



PNEUMATIC DRIVEN LIQUID PUMPS

PERFORMANCE • QUALITY • RELIABILITY





Welcome to Haskel

Haskel is an international organization offering a worldwide service through the Haskel group of companies and factory trained distributors. The Haskel group is headquartered in Burbank, California, with facilities throughout the world. We have built an enviable reputation for quality based on high pressure fluid and gas handling equipment.

In addition to offering a comprehensive range of pneumatic driven liquid pumps, air amplifiers, pneumatic and hydraulic driven gas boosters, high pressure valves, fittings and accessories, we custom design and build power pacs and test rigs. Our continued investment in technology ensures that Haskel will stay at the leading edge of high pressure technology.

This brochure introduces our pneumatic driven liquid pump range. Technical details and advice on any of the products shown is available on request.

We are here to solve your problems. Just give us a call at 818-843-4000 or visit our website at www.haskel.com for more information or to locate a distributor.

Why Use Haskel Pneumatic Driven Pumps?

Our pumps offer many advantages over electrically driven pumps:

- Safe pneumatic operation – no heat, flame or spark risk
- Up to 100000 psi (7000 bar) capability
- Infinitely variable cycling speed
- Stall feature at pre-determined pressure to hold that pressure without consuming power
- Problem-free stop/start applications
- Easily automated – many modification and control options
- Suitable for most liquids and liquefied gases
- Alternative gas drive options – sour gas, natural gas, boil off gases, nitrogen
- No need for air line lubrication – saves costs and prevents contamination
- Robust, reliable, compact and easy to maintain proven design
- Unbalanced cycling spool provides immediate response to pressure changes
- Also available in standard, or custom built power pac configurations
- Excellent worldwide service for spares and repairs
- Can be manufactured to meet API 675, ATEX, CE and NACE

Applications include:

- Pressure testing
- Work holding/power clamping
- Jacking/lifting
- Valve actuator control
- Hydraulic cylinder actuation
- Press safety overload devices
- Roller tensioning
- Metering
- Precision lubrication and spraying
- Liquefied gas transfer



Pressure and Flow on Demand

This guide will help you to pre-select the pump ideally suited for your application. If you have specific questions, however, we urge you to provide us with details of the duties you require from the pump, available air/gas drive pressure, and pressure/flow requirements, and we will recommend a model and any corresponding accessories.

Output Horsepower Ratings

The pumps are categorized on their horsepower ratings (see pages 6-7). These are approximate and peak at 100 psi (7 bar), assuming adequate drive air, pressure and volume. Peak horsepower is at about 75% nominal ratio x air drive pressure, i.e. 100:1 pump @ 100 psi air drive peaks at $100 \times 100 = 10000 \times 0.75$ psi = 7500 psi (517 bar) hydraulic pressure.

Operation

The pumps automatically reciprocate on a differential piston principle. A large piston driven by relatively low pressure drive acts directly upon a smaller hydraulic piston.

The nominal ratio between piston sizes is indicated in the model coding and approximates to the maximum working pressure. The actual ratio is about 15% above nominal so that the pump continues to cycle when drive pressure equals nominal ratio. Initially, the pump will cycle at maximum speed acting as a transfer pump to pressurize downstream.

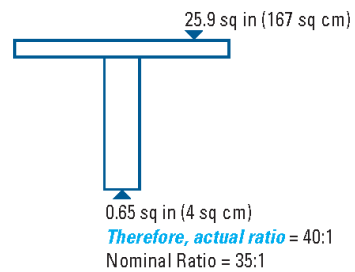
It will cycle at a slower rate as the fluid meets resistance until it stalls at maximum output pressure. When a pressure drop downstream occurs, it will recycle as necessary in an effort to maintain maximum pressure. Stall pressure is achieved when the outlet pressure rises and offers more resistance to the reciprocating differential piston assembly. The piston assembly then stalls when the forces balance, e.g. when drive pressure x drive piston area equals outlet (stall) pressure x driven hydraulic plunger area. The pump design is sensitive to very small pressure drops due to the low frictional resistance of the large diameter drive piston and hydraulic piston seals.

Double and Triple Air Head Pumps

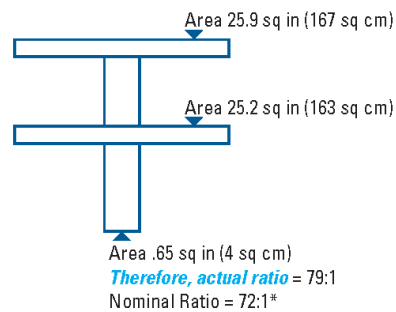
Performance can be extended by stacking air pistons without changing the hydraulic piston. Haskel multi-head pumps consume less air than competitive single head pumps of the same area, as only one head is pressurized on the return stroke; e.g., on a 1.5 hp pump additional heads can raise performance to 2 hp.

Double air head pumps are identified by the last digit 2 in the pump model number. Thus, a nominal 50:1 ratio pump with two air heads is described as a 52. Similarly, a triple air head pump is identified with a last digit 3. Thus, a 900 ratio pump with three air heads is described as a 903.

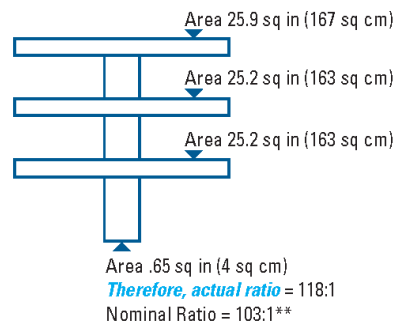
Single Drive Head Pump



Double Air Head Pump



Triple Air Head Pump

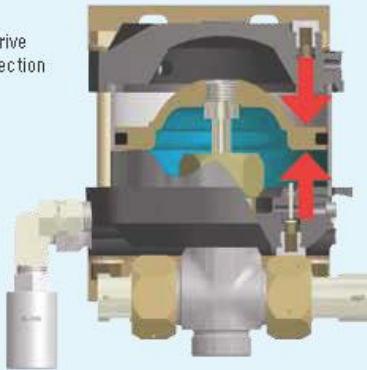


Nominal Ratio

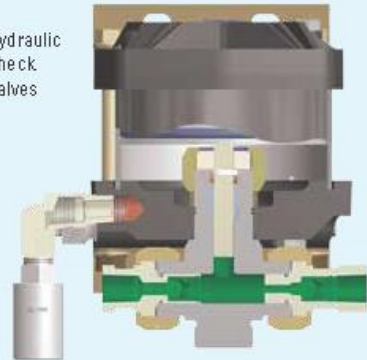
* (2) Indicates Double Drive Piston

** (3) Indicates Triple Drive Piston

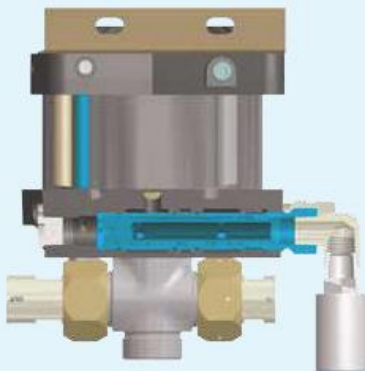
1. Drive Section



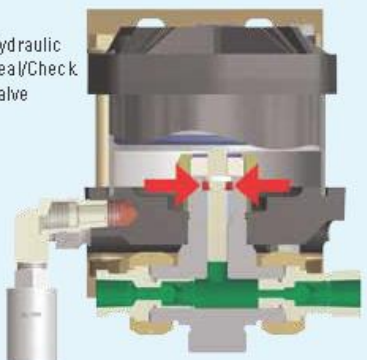
2. Hydraulic Check Valves



3. Drive Cycling Valve



4. Hydraulic Seal/Check Valve



Anatomy of a Pneumatic Driven Pump

1. Drive Section

The piston, complete with "O" ring seal, operates in an epoxy filled, fiberglass wound barrel, the diameter of which is constant throughout a given series of pumps. Drive media forces the piston down on the compression stroke and raises it on the suction stroke (M series have a spring return). The piston is pre-lubricated during assembly and therefore no air line lubricator is necessary.

2. Hydraulic Section/Check Valves

This is directly linked to the drive piston by the hydraulic piston, the bottom portion of which is in the hydraulic body. Outlet flow and pressure are determined by the area of the hydraulic piston head, its nominal ratio with the drive piston head, and drive pressure. On the down stroke, liquid in the hydraulic section is forced under compression through the outlet check valve. Fresh liquid is induced via the inlet check valve on the return stroke. These check valves control the flow of liquid through the hydraulic section. They are spring-loaded and have a very low cracking pressure, allowing maximum opening on the induction stroke. The pressure of hydraulic fluid on the down stroke closes the inlet check valve and acts against the spring to open the outlet check valve.

3. Drive Cycling Valve

This is a pilot-operated, unbalanced, lightweight spool, which directs drive pressure, first to the top of the drive piston, and then to the underside to reciprocate the piston (cycle). It actuates via pilot valves at the top and the bottom of the stroke, which causes the unbalanced spool to shift and reciprocate the piston.

4. Hydraulic Seal/Check Valves

This is one of the few wear parts. Its function is to allow the hydraulic piston to reciprocate without passing fluid into the drive section. The liquid, its pressure and its temperature determine seal specification. A distance piece can be incorporated between drive and hydraulic sections for complete contamination-free operation on most Haskel pumps.



Pump Selection Information

All Haskel pumps are identified by letters coding the type of pump, followed by a number indicating the practical working ratio

of the drive area to the hydraulic plunger area. These letters are explained in the chart below.

Pump Model Letter Coding

| | | | |
|-------------------|---|------------|---|
| M | .875" stroke .33 hp miniature pump series | XH | 2" stroke 1.5 + 2 hp Extreme High Pressure pump series |
| S | Stainless steel hydraulic piston and body | G | 4.5" stroke 6 hp pump series |
| 29723 | .33 hp Chemical Pump | 8 | 4.5" stroke 8 hp pump or booster series |
| D (Prefix) | Pump incorporates a Distance Piece | 14 | 4" stroke 10 hp pump series |
| D (Suffix) | Double Acting pump | W | Polyurethane U-cup dynamic seal |
| 4B | 1" stroke .75 hp pump series (bottom inlet only) | F | UHMWPE (Ultra-high Molecular Weight Polyethylene Dynamic Seal |
| A | 2" stroke 1.5 + 2 hp pump series | T | Reinforced teflon dynamic seal |
| H | 2" stroke 1.5 + 2 hp High Pressure pump series | V | Viton o-ring static seal |
| C | Filter, regulator with gauge and shut-off/speed control valve | -B | Bottom inlet |
| | | -CP | Chemical Pump |

Quick Model Comparison Chart

The chart to the right shows the pressure/flow capability of each pump in the range. The diagonal lines show constant output horsepower for each series. The model ratios are circled.

Example

The pressure required is 2175 psi (150 bar). The flow required is 215 cubic inches (3.52 liters) per minute. The black dot plots position. Only models on diagonals to the right of the dot will meet the demand; e.g., the -35 ratio 1.5 hp pump, assuming a supply at 100 psi (7 bar) and 70 scfm (119m³/hr) can be met; if not, a -32 or -52 2 hp pump would be needed.

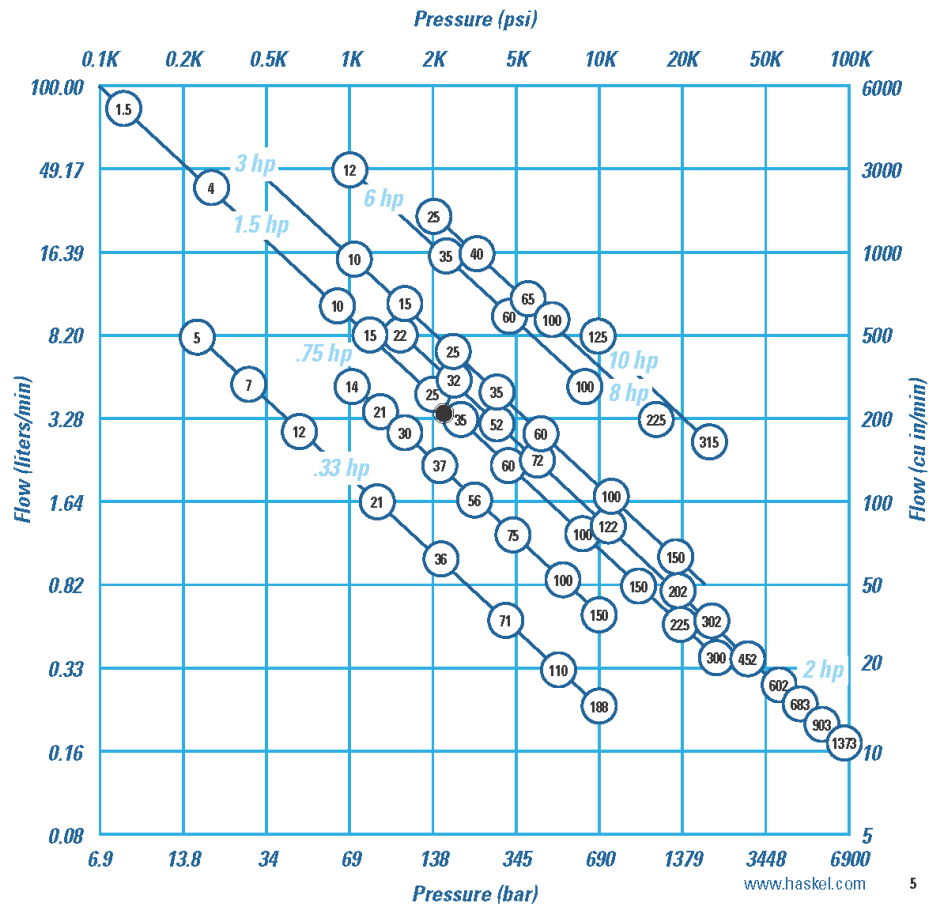
Note: For specific performance curves, refer to *Liquid Pump Rapid Reference Guide*.

The diagonal horsepower lines in the chart below are based on 100 psi (7 bar) drive pressure. Drive flow requirement is different for each series as follows:

| | |
|---------------|----------------------------------|
| .33 hp | 15 scfm (25 m ³ /hr) |
| .75 hp | 45 scfm (76 m ³ /hr) |
| 1.5 hp | 70 scfm (119 m ³ /hr) |
| 2 hp | 85 scfm (144 m ³ /hr) |

| | |
|--------------|-----------------------------------|
| 3 hp | 85 scfm (144 m ³ /hr) |
| 6 hp | 175 scfm (297 m ³ /hr) |
| 8 hp | 225 scfm (382 m ³ /hr) |
| 10 hp | 270 scfm (459 m ³ /hr) |

Reduced air drive flow or pressure will result in a corresponding reduction in output horsepower. This chart can be used to select pump series and model ratio.



Performance and Specification Overview

| Max Drive Drive Head HP | Pump Model Code | Nominal Ratio | Actual Ratio | Mainimum Rated Output Pressure | | | | Displacement/Cycle | | Maximum Flow | |
|--------------------------------------|--------------------------------------|--------------------------------|-----------------|--------------------------------|--------------|----------------|--------------|--------------------|--------------|--------------|--------------|
| | | | | Continuous | | Intermittent | | cu in | ml | cu in/min | l/min |
| | | | | psi | bar | psi | bar | | | | |
| 125 psi/8.6 bar Single 0.33 hp | M, MDSTV | -5 | 5.6 | 625 | 43 | 625 | 43 | 0.83 | 13.6 | 506 | 8.30 |
| | M, MS | -7 | 7.8 | 900 | 62 | 900 | 62 | 0.60 | 9.8 | 366 | 6.00 |
| | | -12 | 14 | 1500 | 103 | 1500 | 103 | 0.36 | 5.9 | 234 | 3.83 |
| | M, MS, 29723 | -21 | 25 | 2600 | 179 | 2600 | 179 | 0.20 | 3.3 | 130 | 2.13 |
| | | -36 | 41 | 4500 | 310 | 4500 | 310 | 0.12 | 2.0 | 78 | 1.28 |
| | | -71 | 82 | 8800 | 607 | 8800 | 607 | 0.060 | 1.0 | 39 | 0.64 |
| | | -110 | 126 | 13500 | 931 | 13500 | 931 | 0.039 | 0.6 | 25 | 0.42 |
| | M, MS MS | -188 -220 | 217 237 | 15000 20000 | 1034 1380 | 15000 25000 | 1034 1723 | 0.023 0.021 | 0.4 0.344 | 18 14 | 0.29 0.22 |
| 100 psi/7 bar Single 0.75 hp | | -14 | 16 | 1500 | 103 | 1500 | 103 | 0.90 | 14.7 | 428 | 7.01 |
| | | -21 | 24 | 2300 | 159 | 2300 | 159 | 0.60 | 9.8 | 295 | 4.67 |
| | | -25 | 29 | 2700 | 186 | 2700 | 186 | 0.50 | 8.2 | 238 | 3.89 |
| | | -30 | 34 | 3200 | 221 | 3200 | 221 | 0.43 | 7.0 | 204 | 3.35 |
| | 4B | -37 | 42 | 3800 | 262 | 3800 | 262 | 0.35 | 5.7 | 166 | 2.72 |
| | | -55 | 63 | 6000 | 414 | 6000 | 414 | 0.22 | 3.6 | 105 | 1.71 |
| | | -75 | 86 | 7800 | 538 | 7800 | 538 | 0.17 | 2.8 | 81 | 1.32 |
| | | -100 | 114 | 10600 | 731 | 10600 | 731 | 0.13 | 2.0 | 62 | 1.01 |
| | | -150 | 171 | 15000 | 1034 | 15000 | 1034 | 0.088 | 1.44 | 42 | 0.68 |
| | 150 psi/10.5 bar Single 1.5 hp | DSTV | -1.5 | 1.6 | 120 | 8 | 160 | 11 | 31.90 | 513 | 5104 |
| ATV, DTV | | -4 | 80 | 690 | 48 | 1200 | 83 | 20.00 | 328 | 3200 | 52.4 |
| | | -B10 | 11.5 | 1600 | 110 | 1600 | 110 | 4.05 | 66.4 | 1215 | 19.9 |
| | | -B15 | 17 | 2400 | 165 | 2400 | 165 | 2.70 | 44.3 | 810 | 13.3 |
| AW, ASF, DF, DSF, DSTV | | -25 | 29 | 4000 | 276 | 4000 | 276 | 1.62 | 26.6 | 486 | 8.0 |
| | | -35 | 40 | 5700 | 333 | 5700 | 333 | 1.16 | 19.0 | 348 | 5.7 |
| | | -60 | 69 | 9800 | 676 | 9800 | 676 | 0.67 | 11.0 | 201 | 3.3 |
| | | -100 | 115 | 15000 | 1034 | 16500 | 1138 | 0.41 | 6.7 | 123 | 2.0 |
| | | -150 | 173 | 15000 | 1034 | 20000 | 1380 | 0.27 | 4.5 | 81 | 1.3 |
| | | -151 | 173 | 25000 | 1724 | 25000 | 1724 | 0.27 | 4.5 | 81 | 1.3 |
| HF, HSF, DHF, DSHF | | -225 | 260 | 30000 | 2069 | 37000 | 2551 | 0.18 | 3.0 | 41 | 0.7 |
| HF | | -300 | 345 | 30000 | 2069 | 50000 | 3448 | 0.14 | 2.3 | 32 | 0.5 |
| | -450 | 533 | 25000 | 1724 | 45000 | 3403 | 0.091 | 1.5 | 20 | 0.3 | |
| 150 psi/10.5 bar Double 2 hp | | -B22 | 23 | 3200 | 221 | 3200 | 221 | 4.05 | 66.4 | 1215 | 19.9 |
| | AW, ASF, DF, DSF, DSTV | -B32 | 34 | 4800 | 331 | 4800 | 331 | 2.70 | 44.3 | 810 | 13.3 |
| | | -52 | 57 | 5000 | 345 | 8000 | 552 | 1.62 | 26.6 | 486 | 8.0 |
| | | -72 | 80 | 11000 | 758 | 11000 | 758 | 1.16 | 19.0 | 348 | 5.7 |
| | | -122 | 138 | 15000 | 1034 | 19000 | 1310 | 0.67 | 11.0 | 201 | 3.3 |
| | HF, HSF, DHF, DSHF | -202 | 230 | 30000 | 2069 | 33000 | 2275 | 0.41 | 6.7 | 92 | 1.5 |
| | | -302 | 346 | 30000 | 2069 | 50000 | 3448 | 0.27 | 4.5 | 61 | 1.0 |
| | DXHF, DSXHF | -452 | 520 | 30000 | 2069 | 70000 | 4827 | 0.18 | 3.0 | 41 | 0.7 |
| | -602 | 690 | 30000 | 2069 | 75000 | 5171 | 0.14 | 2.3 | 32 | 0.5 | |
| 100 psi/7 bar Triple 2 hp | DXHF, DSXHF | -683 | 780 | 30000 | 2069 | 70000 | 4827 | 0.18 | 3.0 | 25 | 0.41 |
| | DSXHW | -903 | 1038 | 30000 | 2069 | 75000 | 5171 | 0.14 | 2.3 | 20 | 0.33 |
| | | -1373 | 1575 | 30000 | 2069 | 100000 | 6895 | 0.086 | 1.4 | 12 | 0.197 |
| 150 psi/10.5 bar 3 hp | AFD, DFD, ASFD, DSFD | -B60 | 69 | 6500 | 448 | 6500 | 448 | 1.34 | 2.2 | 369 | 6.0 |
| | | -10 | 11.5 | 1600 | 110 | 1600 | 110 | 8.10 | 133 | 1823 | 29.9 |
| | | -15 | 17 | 2400 | 165 | 2400 | 165 | 5.40 | 89 | 1215 | 19.9 |
| | ASFD | -25 | 29 | 4000 | 276 | 4000 | 276 | 3.24 | 53.2 | 729 | 11.9 |
| | | -35 | 40 | 5700 | 333 | 5700 | 333 | 2.32 | 38.0 | 522 | 8.6 |
| | | -60 | 69 | 9800 | 676 | 9800 | 676 | 1.34 | 22.0 | 302 | 4.9 |
| | | -100 | 115 | 15000 | 1034 | 16500 | 1138 | 0.82 | 13.4 | 185 | 3.0 |
| | | -150 | 173 | 15000 | 1034 | 20000 | 1380 | 0.54 | 9.0 | 122 | 2.0 |
| | | -202 | 230 | 30000 | 2069 | 33000 | 2275 | 0.82 | 13.4 | 144 | 2.4 |
| | 125 psi/8.6 bar Single 6 hp | GWD, GSFD, DGFD, DGSFD, DGSTVD | -12 | 14.8 | 1850 | 128 | 4000 | 276 | 15.9 | 260 | 5009 |
| GW, DGF, GSF, DGSF, DGSTV | | -35 | 40.3 | 4375 | 302 | 4375 | 302 | 6.0 | 98 | 1890 | 31.0 |
| | | -60 | 69 | 7500 | 517 | 7500 | 517 | 3.5 | 57 | 1103 | 18.1 |
| | | -100 | 115 | 8000 | 552 | 10000 | 690 | 2.1 | 34 | 662 | 10.8 |
| 125 psi/8.6 bar 8 hp | 8SFD, 8DSFD, 8DSTVD | -25 | 27.5 | 3575 | 246 | 4000 | 276 | 14.0 | 229 | 2660 | 44 |
| | | -40 | 43.5 | 6000 | 414 | 6000 | 414 | 8.90 | 145 | 1691 | 28 |
| | 8SFD | -65 | 73 | 10000 | 690 | 10000 | 680 | 5.40 | 88 | 1026 | 17 |
| | 8DSFD | -100 | 112 | 10000 | 690 | 10000 | 680 | 3.52 | 57.5 | 669 | 11 |
| | 8HSFD | -225 | 253 | 22500 | 1530 | 22500 | 1530 | 1.56 | 25.5 | 296 | 5 |
| 10 hp | D14STD, D14SFD | -125 | 138 | 16000 | 1103 | 16000 | 1103 | 8.80 | 144 | 704 | 11.5 |
| | | -315 | 347 | 36000 | 2482 | 36000 | 2482 | 3.50 | 57.4 | 280 | 4.6 |

| Typical Performance Based on 100 psi (7 bar) Pressure and Drive Flow Data on Page 5 | | | | | | | |
|---|------|-------------|-------|-----------------|------|-------------|-------|
| Outlet Pressure | | Outlet Flow | | Outlet Pressure | | Outlet Flow | |
| psi | bar | cu in/min | l/min | psi | bar | cu in/min | l/min |
| 225 | 15.5 | 500 | 8.20 | 415 | 29 | 249 | 4.09 |
| 300 | 21 | 350 | 5.70 | 600 | 41 | 160 | 2.60 |
| 700 | 48 | 200 | 3.28 | 1125 | 78 | 100 | 1.64 |
| 1500 | 103 | 90 | 1.48 | 2000 | 138 | 48.9 | 0.80 |
| 1700 | 117 | 70 | 1.15 | 3100 | 214 | 39.6 | 0.65 |
| 3000 | 207 | 39 | 0.64 | 6000 | 414 | 19 | 0.31 |
| 7500 | 517 | 20 | 0.33 | 8500 | 586 | 17 | 0.28 |
| 9000 | 345 | 18 | 0.30 | 10000 | 690 | 14 | 0.23 |
| 7500 | 517 | 14 | 0.23 | 15000 | 1034 | 12 | 0.20 |
| 700 | 48 | 400 | 6.55 | 1450 | 100 | 61 | 1 |
| 1000 | 69 | 270 | 4.42 | 2000 | 138 | 120 | 2 |
| 1250 | 86 | 230 | 3.77 | 2500 | 172 | 61 | 1 |
| 1500 | 1034 | 200 | 3.28 | 3000 | 207 | 62 | 1 |
| 1750 | 121 | 170 | 2.78 | 3500 | 241 | 82 | 1.33 |
| 2000 | 138 | 110 | 1.8 | 5000 | 345 | 66 | 1.08 |
| 2500 | 172 | 87 | 1.42 | 7500 | 517 | 37 | 0.6 |
| 9000 | 345 | 57 | 0.93 | 10000 | 690 | 26 | 0.43 |
| 7500 | 517 | 37 | 0.6 | 15000 | 1034 | 7 | 0.11 |
| 50 | 3 | 9000 | 81.9 | 150 | 10.3 | 1000 | 16.4 |
| 100 | 7 | 1953 | 32 | 400 | 28 | 750 | 12.3 |
| 400 | 28 | 1000 | 16.4 | 990 | 68 | 500 | 8.19 |
| 750 | 52 | 598 | 9.8 | 1600 | 110 | 200 | 3.28 |
| 1000 | 69 | 403 | 6.6 | 2500 | 172 | 195 | 3.2 |
| 2000 | 138 | 350 | 4.1 | 3600 | 248 | 98 | 1.6 |
| 3000 | 207 | 152 | 2.5 | 6200 | 427 | 50 | 0.82 |
| 4000 | 276 | 100 | 1.64 | 10000 | 690 | 24.4 | 0.4 |
| 7000 | 483 | 59.7 | 0.98 | 15000 | 1034 | 29.9 | 0.49 |
| 7000 | 483 | 59.7 | 0.98 | 15000 | 1034 | 29.9 | 0.49 |
| 7500 | 517 | 39.6 | 0.65 | 24000 | 1655 | 9.8 | 0.16 |
| 15000 | 1034 | 29.9 | 0.49 | 27000 | 1862 | 20.1 | 0.33 |
| 36000 | 2483 | 14.6 | 0.24 | 45000 | 3103 | 9.2 | 0.15 |
| 400 | 28 | 799 | 13.1 | 2100 | 145 | 200 | 3.28 |
| 700 | 48 | 500 | 8.2 | 3000 | 207 | 152 | 2.5 |
| 1900 | 131 | 299 | 4.9 | 5000 | 345 | 97.6 | 1.6 |
| 2000 | 138 | 226 | 3.7 | 7500 | 517 | 50 | 0.82 |
| 4000 | 276 | 122 | 2 | 12000 | 828 | 40.2 | 0.66 |
| 7000 | 483 | 91.5 | 1.5 | 20000 | 1379 | 20.1 | 0.33 |
| 10000 | 690 | 45.2 | 0.74 | 30000 | 2069 | 15.2 | 0.25 |
| 10000 | 690 | 34.8 | 0.57 | 40000 | 2789 | 15.2 | 0.25 |
| 15000 | 1034 | 24.4 | 0.4 | 50000 | 3448 | 12.2 | 0.2 |
| 15000 | 1034 | 19.5 | 0.32 | 60000 | 4138 | 4.9 | 0.08 |
| 15000 | 1034 | 15.9 | 0.26 | 70000 | 4828 | 5.5 | 0.09 |
| 16000 | 1103 | 9.2 | 0.15 | 90000 | 6207 | 3.1 | 0.05 |
| 1000 | 69 | 348 | 5.7 | 5500 | 379 | 152 | 2.5 |
| 500 | 34 | 1520 | 24.9 | 1000 | 69 | 380 | 6.22 |
| 750 | 52 | 1030 | 16.88 | 1500 | 103 | 260 | 4.26 |
| 1000 | 69 | 652 | 10.85 | 2500 | 172 | 162 | 2.66 |
| 1500 | 1034 | 465 | 7.62 | 3500 | 248 | 100 | 1.64 |
| 3000 | 138 | 248 | 4.07 | 6000 | 414 | 56 | 0.92 |
| 5000 | 345 | 151 | 2.48 | 10000 | 690 | 41 | 0.67 |
| 7500 | 517 | 103 | 2 | 15000 | 1034 | 27 | 0.44 |
| 10000 | 690 | 63 | 1.03 | 20000 | 1379 | 47 | 0.77 |
| 200 | 14 | 5004 | 82 | 1200 | 83 | 1454 | 24 |
| 1000 | 69 | 1770 | 29 | 3500 | 241 | 600 | 9.8 |
| 2000 | 138 | 976 | 16 | 5500 | 379 | 397 | 6.5 |
| 2000 | 138 | 573 | 9.4 | 10000 | 690 | 195 | 3.2 |
| 1000 | 69 | 2400 | 39.3 | 2500 | 172 | 280 | 4.6 |
| 2000 | 138 | 1420 | 23.2 | 4000 | 276 | 200 | 3.27 |
| 3000 | 207 | 880 | 14.4 | 6000 | 414 | 310 | 5.08 |
| 9000 | 345 | 555 | 9.1 | 10000 | 690 | 163 | 2.67 |
| 10000 | 690 | 270 | 4.4 | 20000 | 1379 | 144 | 2.36 |
| 8000 | 552 | 488 | 8.0 | 12000 | 828 | 195 | 3.2 |
| 15000 | 1034 | 238 | 3.9 | 30000 | 2069 | 79.3 | 1.3 |



Guidelines for Continuous Duty Applications for Maximizing Seal Life Performance

| Pump Series | Maximum Cycles per Minute |
|---|---------------------------|
| 0.3 hp | 325 cpm |
| 0.75 hp | 225 cpm |
| 1.5, 2.0 and 2.2 hp (Single and Double Drive Piston) | 80 cpm |
| 2.0 hp (Triple Drive Piston) | 60 cpm |
| 3.0 hp | 80 cpm |
| 6.0 hp | 60 cpm |
| 8.0 hp | 50 cpm |
| 10.0 hp | 40 cpm |

.33 hp (.25 kW) M Series Pump Models



Key Features

- Choice of 5 models, 9 ratios, 27 possible combinations
- Flows to 2 gpm (7.5 l/min)
- Choice of wetted materials
- Single air head
- Drive pressure 25 to 125 psi (1.8 to 9 bar)
- Pressures to 25000 psi (1724 bar)
- All Hydraulic fluids, water (plain or DI), solvents, mild chemicals, liquefied gases

Optional Modifications

| Number | Description |
|---------|---|
| -HP | Hand pump attachment (with handle). Provides manual operation of pump for precision pressure control or use without air power. |
| 26082 | Handle only. |
| 26220-2 | With handle. |
| 26220-3 | Without handle. |
| | Kits for converting existing units. |
| -V | Manual release with relief valve. For M and MS pumps only. Provides high pressure needle valve with internal adjustable safety relief downstream of pump outlet checks. Tank return is 1/4" NPT in pump body. |
| 26063-3 | Dead Man valve. 1/4" NPT port. |
| 26064-3 | Combination air regulator/filter with gauge. 1/4" NPT port. |
| 26065-3 | Speed control valve. 1/4" NPT port. |
| 26065-3 | -C air controls installed on pump. 1/4" NPT port. |
| 26064-3 | plus |
| 28320 | Manifold mount inlet port. Provides O-ring boss in aluminum block to enable mounting on side of tank below oil level. Modification applies to M-21 through M-188 only. |
| 28390 | Palm or foot start/stop button drive. Spring loaded shut. |
| 28700-1 | Air OP release valve. |
| 28826 | Remote start/stop control. Provides 1/4" NPT bleed signal port for single line remote control. |
| 29002 | Viton air drive. |
| 29697 | Single stroke from remote air pulse. Useful for metering applications. One stroke per air pulse signal; eliminates automatic cycling. 1/4" NPT signal port. |
| 51331 | EPR seals for liquid section for 29723-10X ratio pumps. |
| 51788 | Piped exhaust—standard. Provides connection ports for drive and pilot exhausts. Enables under tank top mounting and/or natural gas drive. |
| 51794 | Piped exhaust—sour gas. With hand pump (HP). |
| 51794-2 | Piped exhaust—sour gas. Without hand pump (HP). |
| 51804 | Muffler (for use with piped exhaust modifications below). 1/4" NPT male port. |

| Model | Nominal Ratio | Maximum Working Pressure | Displacement per Cycle |
|---|---------------|--------------------------|------------------------|
| M, MDSTV | -5 | 625 psi (43 bar) | .83 cu in (13.6 ml) |
| M, MS ²¹ | -7 | 900 psi (62 bar) | .6 cu in (9.8 ml) |
| | -12 | 1500 psi (103 bar) | .36 cu in (5.9 ml) |
| M, MS ²¹ , 29723 ^{1*} | -21 | 2600 psi (179 bar) | .2 cu in (3.3 ml) |
| | -36 | 4500 psi (310 bar) | .12 cu in (2.0 ml) |
| | -71 | 8800 psi (607 bar) | .06 cu in (1.0 ml) |
| | -110 | 13900 psi (931 bar) | .039 cu in (0.6 ml) |
| | -188 | 15000 psi (1034 bar) | .023 cu in (0.4 ml) |
| MS | -220 | 25000 psi (1723 bar) | .021 cu in (0.34 ml) |

* Not available in 188 ratio

(3) Maximum intermittent pressure for stainless steel in the MS and 29723 is 10000 psig (690 bar)

For service codes, see page 17.

For weights and dimensions, see page 18.

| Number | Description |
|---------|---|
| 51809 | Normally open air operated release with relief valve. Provides highest release flow capacity. Will hold full pump psi piloted from drive air. Vents are not threaded. Ref. drawing 86643 for tank top mounting parts. |
| 51809-1 | Normally closed air operated release with relief valve. Used to hold hydraulic jacks. Will release up to 11000 psi (using 100 psi air). Vents are not threaded. Ref. drawing 86643 for tank top mounting parts. Not available in 188:1 ratio. |
| 51810 | Safety relief valve. Relief is upstream of outlet check. Vent hole 1/16 NPT M or MS series -21 through 188. |
| 51811 | External air pilot. Provides 1/4" NPT port for external air to pilot for remote start/stop. |
| 52340 | Solid air cap. |
| 52980 | Electric stroke counter provision. Micro switch (BZE6-2RQ) mounted on upper cap trips with each cycle. |
| 53175 | Level II cleaning. |
| 53304 | High pressure outlet port. Fits 1/4" O.D. high pressure threaded and coned tube. |
| 53784 | Piped exhaust (drive only). For field conversion of any .33 HP pump. Provides 1/4" NPT exhaust port. |
| 53935 | Low temperature drive. Enables operation down to 5°F. Some sacrifice of seal life at normal temperature. M or MS series. |
| 54179 | Stroke adjuster (includes 29697 above). Useful for metering applications. Knurled knob with vertical scale on pump cap. |
| 57905 | No return spring. Provides improved fill on suction stroke pumping liquefied gases by utilizing the inlet pressure. Only available on M and MS series. |
| 59888 | Cycle timer installed. |
| 80103 | Noise reduction kit fitted. |
| 80348 | SAE outlet for M-pumps, 1/4" SAE, 6500 psi (448 bar) max. |
| 81439 | EPR Seals for M and MS series for Liquid Section. |
| 82367 | SS trim for hp drive |
| 82500 | ATEX Modification (Available on MS & 29723 but not M series). |
| 85630 | Conversion kit, new style exhaust muffler. |
| 86337 | Extend life air drive. |

.75 hp (.56 kW) Pump Models



Key Features

- One model available in 9 ratios
- Output pressures to 15000 psi (1034 bar)
- Flows to 1.5 gpm (5.7 l/min)
- Choice of wetted materials
- Single air head
- Drive pressure 3 psi to 100 psi (.2 to 7 bar)

Optional Modifications

| Number | Description |
|--------|--|
| -C | Air drive controls. |
| 56364 | Extreme cycling service. Not recommended for long stall periods. |
| 56394 | External air pilot port. 1/4" NPT. Allows remote start/stop of pump. |
| 57639 | Low drive air pressure. Allows user to regulate drive air to as low as 3 psi (.2 bar). |
| 57960 | Single acting drive. Used for pumping liquefied gases under pressure. |
| 58475 | 1/4" NPT port on drive for recycle valve connection. |
| 59354 | Noise reduction kit fitted. |

| Model | Nominal Ratio | Maximum Working Pressure | Displacement per Cycle |
|-------|---------------|--------------------------|------------------------|
| 4B | -14 | 1500 psi (103 bar) | 9 cu in (14.8 ml) |
| | -21 | 2300 psi (159 bar) | 6 cu in (9.8 ml) |
| | -25 | 2700 psi (186 bar) | 5 cu in (8.2 ml) |
| | -30 | 3200 psi (221 bar) | 4.3 cu in (7.1 ml) |
| | -37 | 3800 psi (262 bar) | 3.5 cu in (5.7 ml) |
| | -55 | 6000 psi (414 bar) | 2.2 cu in (3.6 ml) |
| | -75 | 7800 psi (538 bar) | 1.7 cu in (2.8 ml) |
| | -100 | 10600 psi (731 bar) | 1.3 cu in (2.1 ml) |
| | -150 | 15000 psi (1034 bar) | 0.88 cu in (1.4 ml) |

For service codes, see page 17.

For weights and dimensions, see page 19.

| Number | Description |
|--------|---|
| 59988 | Cycle timer installed. |
| 80637 | SAE outlet fitting for ratio 37 to 100, 1/4" SAE, 6000 psi (414 bar) max. |
| 82104 | Viton air drive. |
| 82900 | ATEX modification. |
| 86337 | Extended life air drive. |



1.5 hp (1.12 kW) Pump Models



Key Features

- Choice of 11 models, 13 ratios, 48 possible combinations
- Output pressures to 50000 psi (3448 bar)
- Flows to 22 gpm (83.0 l/min)
- Choice of wetted materials
- Single air head
- Drive pressure 3 to 150 psi (.2 to 10 bar)

Optional Modifications

| Number | Description |
|--------|--|
| -C | Air controls (filter, regulator, gauge, shut-off). 3/8" NPT. |
| -CP | Air controls with precision regulator. 3/8" NPT. |
| -C0 | Air controls with recycle button. 3/8" NPT. |
| -CPO | Air controls with precision regulator and recycle button. 3/8" NPT. |
| -B | Bottom Inlet (designate "B" before ratio dash number; "BR" on -B10, -B15, -B22 and -B32) 1.5 hp and 2 hp pumps (not applicable to high output, chemical, 2.2 hp, or AWD series pumps). |
| -W | Additional upper foot bracket. |
| 16821 | Low air pressure control feature. For operating at air pressures as low as 3 to 4 psi (.2 to .3 bar). Includes 28881 modification. |
| 16831 | Low temperature modification. For special sealing in air drive for operating temperatures from as low as -20°F up to normal +120°F. |
| 16834 | Exhaust adapter. With back pressure balance piston. |
| 17860 | Electrical stroke counter provision. Includes BZ65-2RQ microswitch. |
| 25721 | Mechanical stroke counter, installed (6 digit). |
| 27964 | Interconnecting inlet-outlet tubing. 3/8" female for 4:1 ratio series pumps (ATV-4 or DTV-4). |
| 28000 | Threaded vent (or purge) ports on standard distance piece. Except 1.5:1 ratio. |
| 28003 | Test port. Provides access port in pump's body between inlet and outlet check valves for 1.5 hp and 2 hp pumps. -10 ratio or higher, single acting. |
| 28881 | Air pilot modification. 3/8" NPT. Allows remote start/stop of pump. |
| 29376 | Three-way cycling spool. For 1.5 hp and 2 hp single acting pumps, for use with CO ₂ . |
| 29702 | Single stroke modification. |

| Model | Nominal Ratio | Maximum Working Pressure | Displacement per Cycle |
|-------------------------|-----------------------------------|--|---|
| DSTV ⁽¹⁾ | -1.5 | 160 psi (11 bar) | 319 cu in (513.0 m) |
| ATV, DTV ⁽¹⁾ | 4 | 1200 psi (83 bar) | 200 cu in (328.0 m) |
| AW, ASF, DF, DSF, DSTV | -B10 -B15 -25 -35 -60 | 1600 psi (110 bar) 2400 psi (165 bar) 4000 psi (275 bar) 5700 psi (393 bar) 9800 psi (675 bar) | 4 cu in (66.4 m) 2.7 cu in (44.3 m) 1.6 cu in (26.5 m) 1.2 cu in (19 m) .7 cu in (11 m) |
| AW, ASF, DF, DSF, DSTV | -100 -150 | 16800 psi (1138 bar) 20000 psi (1375 bar) | 4 cu in (6.7 m) 28 cu in (4.5 m) |
| HF, HSF, DSHF | -151 -225 -300 | 28000 psi (1724 bar) 37000 psi (2551 bar) 50000 psi (3448 bar) | 28 cu in (4.5 m) .18 cu in (3.0 m) .14 cu in (2.3 m) |
| HF | -480 | 49000 psi (3403 bar) | .09 cu in (1.5 m) |

(1) These series are "lift" pumps and maximum outlet pressure is (air drive x pump ratio) + inlet pressure

For service codes, see page 17.

For weights and dimensions, see page 20.

| Number | Description |
|--------|---|
| 29806 | Double distance piece. For 1.5 hp and 2 hp pumps only, except 1.5:1 ratio. |
| 51050 | Extreme service cycling modification. Not recommended for long stall periods. |
| 51056 | Exhaust/pilot vent combination. |
| 51331 | EPR (Ethylene propylene) static seals in wetted section. Applies to distance piece pumps only. |
| 51345 | Sour gas drive provision to N.A.C.E. specifications. 1.5 hp to 2.2 hp distance piece pumps only, single air head and double air head. |
| 52788 | Viton seals air drive. |
| 53325 | Severe Arctic low temperature service. -25, -35, -60, -100, -150, -151, -225, -300, -480 ratios. |
| 54885 | Rotate pump body 90° from standard. |
| 54935 | SS trim for 5/3 air drive. |
| 55305 | Tube ports. 3/8" SAE inlet and outlet. For 1.5 hp to 2 hp pumps. 15 pump minimum. |
| 55516 | Polyurethane ("W") seal. For ForTV series pumps, except high output models. |
| 55630 | Stainless steel (AISI-316) distance piece. For 1.5 hp to 2 hp pumps. |
| 59353 | Noise reduction kit fitted. Not available on AFD, DFD, ASFD or DSFD. |
| 82460 | HNBR seals in air drive section. |
| 82800 | ATEX modification (not available on AW or DSXHW pumps). |
| 82988 | 3/8" High pressure outlet converts medium ratio 10-122 outlet 3/8" port to high pressure port. |
| 86337 | Extended life air drive. |

1.5 hp (1.12 kW) High Output Flow Pumps

Available in a choice of 3 models, these high output, low ratio pumps are capable of pressures to 1200 psi (82 bar) and flow rates of up to 22 gpm (83 l/min). These are "lift" pumps whereby the outlet pressure equals the air drive x the pump ratio plus the inlet pressure.

Model DSTV-1.5 has a maximum air drive of 150 psi (10 bar) and is capable of pressures up to 160 psi (11 bar). The model ATV and DTV-4 work on a maximum air drive of 150 psi (10 bar) and have a maximum pressure rating of 1200 psi (83 bar). A noise reduction modification is available for applications where noise level is an issue.

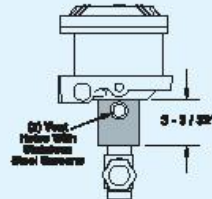
Distance Piece (Separation)

Pumps with prefix "D" in the model number have aluminum distance piece between the air drive and pump section (except DSTV-1.5). Vent holes can be threaded 1/2" NPT female at extra cost. Specify modification number 28000. Horizontal mounting is recommended for non-exchange of contaminants.

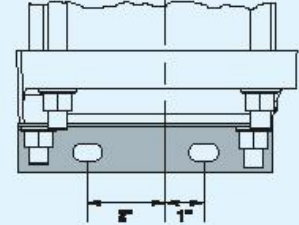
Mounting Brackets

All series mounting brackets have 7/16" holes (slots) for 3/8" bolts. Upper mounting brackets are not furnished as standard on single air head non-distance piece units.

Dimensional Data



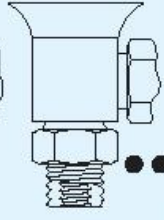
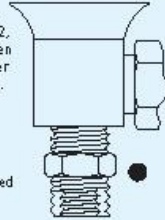
Mounting Brackets



Optional Pump Inlets for Tank Mounting

To specify ratios -10, -15, -22 or -32, add "BR" between the model number and the ratio, e.g. AUV-BR10.

Inlet externally threaded 1 1/4" NPT male
Internally threaded 1" NPT female



To specify ratios -25 through -903, add "B" between the model number and the ratio, e.g. AUV-B25.

Inlet on the bottom and externally threaded 1" NPT male
Internally threaded 1/2" NPT female

Drive inlet and exhaust are 1/2" NPT female. Drive inlet also includes a 1/2" NPT male x 1/2" NPSM female (straight pipe thread) swivel adapter (connecting male nipple should include 30° inside bevel for proper fit).



2 & 2.2 hp (1.49 & 1.64 kW) Pump Models



Key Features

- Choice of 16 models, 13 ratios, 46 possible combinations
- Output pressures to 100000 psi (7000 bar)
- Flows to 5 gpm (15 l/min)
- Choice of wetted materials
- Double and triple air heads
- Drive pressure 3 to 100 psi (.2 to 7 bar)

| Model | Nominal Ratio | Maximum Working Pressure | Displacement per Cycle |
|------------------------|---------------|--------------------------|------------------------|
| AW, ASF, DF, DSF, DSTV | -B22 | 3200 psi (221 bar) | 4 cu in (66.4 ml) |
| | -B32 | 4800 psi (331 bar) | 2.7 cu in (44.3 ml) |
| | -S2 | 8000 psi (552 bar) | 1.6 cu in (26.6 ml) |
| | -T2 | 11000 psi (758 bar) | 1.2 cu in (19 ml) |
| | -122 | 19000 psi (1310 bar) | .7 cu in (11 ml) |
| HF, HSF, DHF, DSHF | -202 | 33000 psi (2275 bar) | 4 cu in (6.7 ml) |
| | -302 | 50000 psi (3448 bar) | 28 cu in (4.5 ml) |
| DX HF, DSXHF | -452 | 70000 psi (4827 bar) | .18 cu in (3.0 ml) |
| | -602 | 75000 psi (5171 bar) | .14 cu in (2.3 ml) |
| DX HF, DSXHF | -683 | 70000 psi (4827 bar) | .18 cu in (3.0 ml) |
| | -903 | 75000 psi (5171 bar) | .14 cu in (2.3 ml) |
| DSXHW | -1373 | 100000 psi (6895 bar) | .09 cu in (1.4 ml) |
| AFD, DSFD, DFD, ASFD | -860 | 6500 psi (448 bar) | 1.3 cu in (22 ml) |

For service codes, see page 17.

For weights and dimensions, see page 20.

3 hp (2.24 kW) Pump Models



Key Features

- One model available in 8 ratios
- Output pressures to 33000 psi (2275 bar)
- Flow rates to 8 gpm (30 l/min)
- Single air head
- Drive pressure 3 to 150 psi (.2 to 10 bar)

| Model | Nominal Ratio | Maximum Working Pressure* | Displacement per Cycle |
|-------|---------------|---------------------------|------------------------|
| ASFD | 10 | 1600 psi (110 bar) | 8.1 cu in (132.8 ml) |
| | 15 | 2400 psi (165 bar) | 5.4 cu in (88.6 ml) |
| | 25 | 4000 psi (275 bar) | 3.3 cu in (53.2 ml) |
| | 35 | 5700 psi (393 bar) | 2.3 cu in (38 ml) |
| | 60 | 9800 psi (676 bar) | 1.3 cu in (22 ml) |
| | 100 | 16500 psi (1138 bar) | .8 cu in (13.4 ml) |
| | 150 | 20000 psi (1379 bar) | .6 cu in (9 ml) |
| | 202 | 33000 psi (2275 bar) | .8 cu in (13.4 ml) |

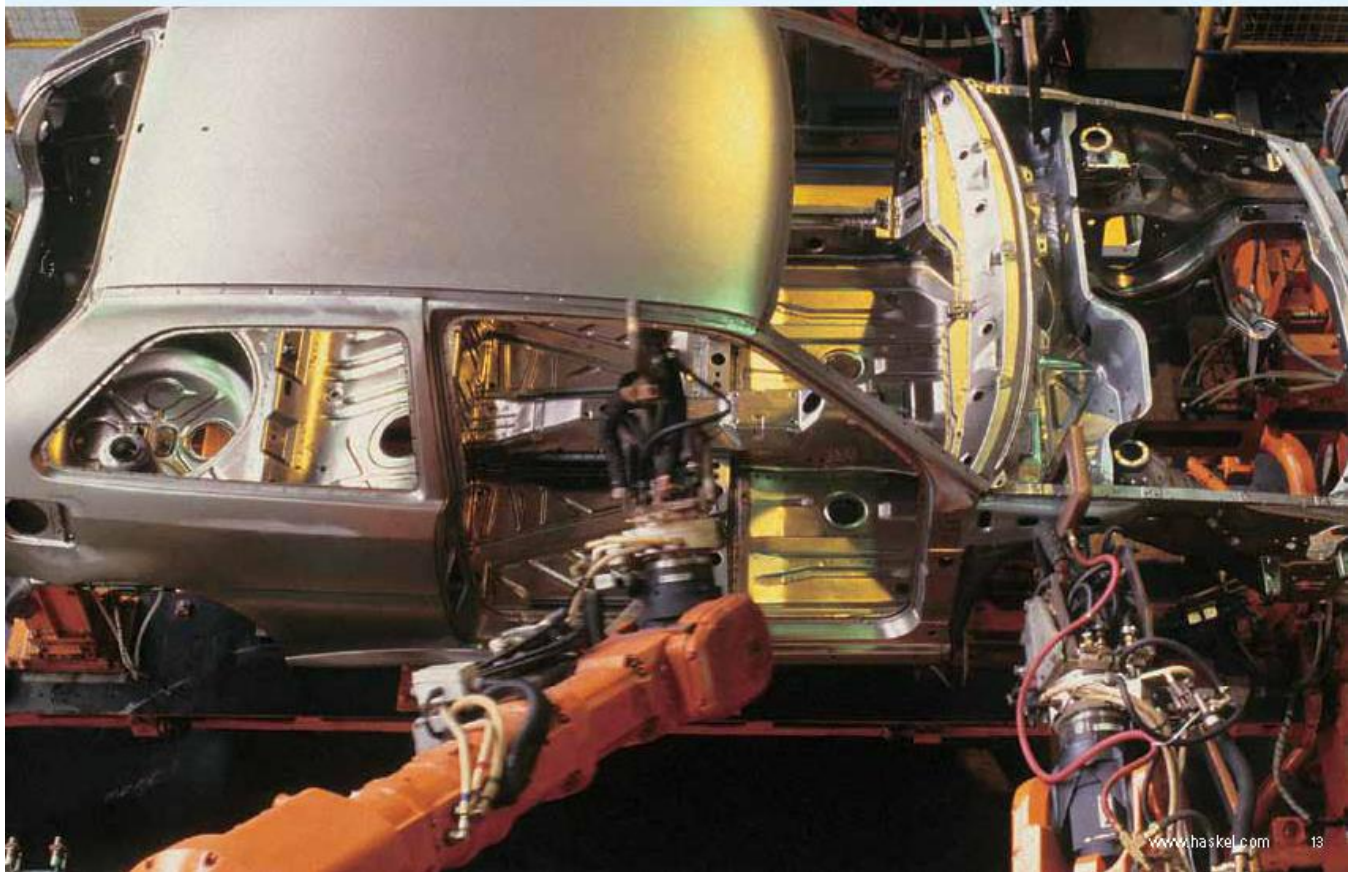
* Continuous/Intermittent

For service codes, see page 17.

For weights and dimensions, see page 21.

Optional Modifications (for 2 hp, 2.2 hp and 3 hp pump models)

| Number | Description | Number | Description |
|--------|---|--------|---|
| -C | Air controls (filter, regulator, gauge, shut-off). 3/4" NPT. | 51050 | Extreme service cycling modification. Not recommended for long stall periods. |
| -CP | Air controls with precision regulator. 3/4" NPT. | 51056 | Exhaust/pilot vent combiner. |
| -C0 | Air controls with recycle button. 3/4" NPT. | 51331 | EPR (Ethylene propylene) static seals in wetted section. Applies to distance piece pumps only. |
| -CP0 | Air controls with precision regulator and recycle button. 3/4" NPT. | 51345 | Sour gas drive provision to N.A.C.E. specifications. 1.5 hp to 2.2 hp distance piece pumps only, single air head and double air head. |
| -B | Bottom Inlet (designate "B" before ratio dash number, "BR" on -B10, -B15, -B22 and -B32) 1.5 hp and 2 hp pumps (not applicable to high output, chemical, 2.2 hp, or AWD series pumps) | 52788 | Viton seals. Air drive only – 1.5 hp to 2.2 hp pumps only. |
| 16821 | Low air pressure control feature. For operating at air pressures as low as 3 to 4 psi (.2 to .3 bar). | 53825 | Severe Arctic low temperature service. -25, -35, -60, -100, -150, -151, -225, -300, -450 ratios except 3 hp pump. |
| 16831 | Low temperature modification. For special sealing in air drive for operating temperatures from as low as -20°F up to normal +120°F. | 54885 | Rotate pump body 90° from standard. Except 3 hp pump. |
| 16834 | Exhaust adapter. With back pressure balance piston. | 54935 | SS trim for 5/3 air drive. |
| 17860 | Electrical stroke counter provision. Includes BZES-2RQ microswitch. | 55191 | Mounting ring kit for AWD series. |
| 25721 | Mechanical stroke counter. Installed (6 digit). | 55192 | 3/4 NPT inlet port installed on AWD series (in place of threaded port). |
| 27964 | Interconnecting inlet-outlet tubing. 3/4" female for 4:1 ratio series pumps (ATV-4 or DTV-4). | 55193 | Extra foot bracket installed. |
| 28000 | Threaded vent (or purge) ports on standard distance piece. Except 1.5:1 ratio and 3 hp pump. | 55305 | Tube ports. 3/4" SAE inlet and outlet – for 1.5 hp to 2 hp pumps, 15 pump minimum. |
| 28003 | Test port. Provides access port in pump's body between inlet and outlet check valves for 1.5 hp and 2 hp pumps. -10 ratio or higher, single acting. | 55465 | Ceramic Plunger-60 Ratio. |
| 28881 | Air pilot modification. 1/2" NPT – Allows remote start/stop of pump. | 55516 | Polyurethane "W" seal in "F" series pumps-except high output models. |
| 29376 | Three-way cycling spool. For 1.5 hp and 2 hp single acting pumps. | 55630 | Stainless steel (SS-316) distance piece – for 1.5 thru 2 hp pumps. |
| 29702 | Single stroke modification. Except 3 hp pump. | 59353 | Noise reduction kit fitted. Not available on AFD, DFD, ASFD or DSFD. |
| 29806 | Double distance piece. For 1.5 hp and 2 hp pumps only, except 1.5:1 ratio. | 59888 | Cycle timer installed. |
| | | 82460 | HNBR Seals in air drive section. |
| | | 82500 | ATEX modification (not available on A/W or DSXHW pumps). |
| | | 86337 | Extended life air drive. |



6 hp (4.47 kW) Pump Models



Key Features

- Choice of 10 models, 4 ratios, 20 possible combinations
- Output pressures to 10000 psi (690 bar)
- Flow rates to 21 gpm (80 l/min)
- Choice of wetted materials
- Single air head – double acting
- Drive pressure 3 to 125 psi (.2 to 9 bar)
- All hydraulic fluids, water (plain or DI), solvents

| Model | Nominal Ratio | Maximum Working Pressure | Displacement per Cycle |
|--|--------------------|---|--|
| GWD, GSFD, DGSFD ⁽¹⁾ , DGSFD ⁽¹⁾ , DGSTVD ⁽¹⁾ | -12 | 4000 psi (276 bar) | 159 cu in (260 m ³) |
| GW, GSF, DGF, DGSF, DGSTV | -35 -60 -100 | 4375 psi (302 bar) 7500 psi (517 bar) 10000 psi (690 bar) | 6.0 cu in (98 m ³) 3.5 cu in (57 m ³) 2.1 cu in (34.5 m ³) |

(1) Double Acting "DRT" Pumps

For service codes, see page 17.

For weights and dimensions, see page 22.

Incorporating 10 models, this heavy duty range of double acting pumps provide pressures up to 10000 psi (690 bar) and flow rates up to 4 gpm (15 l/min).

Designed to operate with air drive pressures between 40 and 125 psi (2.8 and 9 bar). For drive pressures 3 to 40 psi (.2 to 2.8 bar), order 51875-1 mod.

8 hp (5.97 kW) Pump Models



Key Features

- Choice of 6 models, 5 ratios, 9 possible combinations
- Pressures to 22500 psi (1530 bar)
- Flow rates to 11.5 gpm (44 l/min)
- All hydraulic fluids, water (plain or DI), solvents, liquefied gases
- Choice of wetted materials
- Single air head – double acting
- Drive pressure 3 to 125 psi (.2 to 9 bar)

| Model | Nominal Ratio | Maximum Working Pressure | Displacement per Cycle |
|---|-----------------------------------|--|---|
| 8SFD, 8DFD, 8DSFD, 8DSTVD 8FD | -25 ⁽¹⁾ | 4000 psi (276 bar) | 14 cu in (229 m ³) |
| 8SFD 8DSFD | -40 -65 -100 ⁽¹⁾ | 6000 psi (408 bar) 10000 psi (690 bar) 10000 psi (690 bar) | 9 cu in (145.3 m ³) 5.4 cu in (88.2 m ³) 3.5 cu in (57.5 m ³) |
| 8HSFD | -22.9 ⁽¹⁾ | 22500 psi (1530 bar) | 1.6 cu in (25.5 m ³) |

(1) Double Acting "DRT" Pumps

For service codes, see page 17.

For weights and dimensions, see page 23.

10 hp (7.46 kW) Pump Models



Key Features

- Choice of 4 models, 4 ratios, 4 possible combinations
- Pressures to 36000 psi (2500 bar)
- Flow rates to 3 gpm (11 l/min)
- Drive pressure 3 to 125 psi (.2 to 9 bar)
- All hydraulic fluids, water (plain or DI), solvents, liquefied gases
- Choice of wetted materials

| Model | Nominal Ratio | Maximum Working Pressure | Displacement per Cycle |
|---------|--|--|---|
| D14 STD | 125 ^{PSI} 315 ^{PSI} | 16000 psi (1103 bar) 36000 psi (2482 bar) | 8.8 cu in (144.2 ml) 3.5 cu in (57.4 ml) |
| D14 SFD | 125 ^{PSI} 315 ^{PSI} | 16000 psi (1103 bar) 36000 psi (2482 bar) | 8.8 cu in (144.2 ml) 3.5 cu in (57.4 ml) |

(1) Double Acting "LIFT" Pumps

For service codes, see page 17.

For weights and dimensions, see page 23.

Incorporating two basic models, this heavy duty range of double acting pumps provide pressures up to 36000 psi (2482 bar) and output flow rate up to 3 gpm (11 l/min).

Operating from a maximum air drive pressure of 125psi (9 bar), these pumps are designed for medium to high pressure service with minimum maintenance.

These large, slow speed pumps approach a seal life as high as 5 times that of many smaller pumps and this advantage becomes ever greater in heavy duty service involving water, or other liquids with negligible lubricity.

Optional Modifications (for 6 hp, 8 hp and 10 hp pump)

| Number | Description |
|---------|--|
| C | Air controls. |
| 17860 | Electrical stroke counter provision (includes BZE5-2RQ micro switch). |
| 25721 | Mechanical stroke counter installed (5 digit). |
| 29077 | Interconnecting tubing – 6 hp and 8 hp pumps, double ended. |
| 29077-1 | Interconnecting tubing – 6 hp and 8 hp pumps, double ended low ratio pumps. |
| 29078 | Same as 29077, 29077-1 double ended w/distance piece. |
| 29078-1 | Same as 29077, 29077-1 double ended w/distance piece low ratio pumps. |
| 29079 | Interconnecting tubing – 10 hp pumps. |
| 29125 | External pilot modification – for 6 hp thru 10 hp pumps. |
| 51875-1 | Low air pressure control – for 6 hp thru 10 hp pumps. |
| 54030 | Source gas air drive provision to NACE spec. 6 hp distance piece pumps only. |

| Number | Description |
|---------|---|
| 54312 | Extreme service cycling modification – for 6 hp thru 10 hp pumps. |
| 54336 | Exhaust pilot vent combiner. |
| 55330 | Interconnecting tubing 8D SFD-100 low pressure inlet. |
| 55330-1 | Interconnecting tubing 8D SFD-100 high pressure inlet. |
| 55366 | Interconnecting tubing 8D SFD-225. |
| 57002 | Viton seals – air drive only – 6 hp. |
| 57344 | Viton seals – air drive only – 8 hp. |
| 59888 | Cycle timer installed. |
| 82900 | ATEX modification available for 6 hp only, not available on 8 hp or 14 hp drive, nor on 6W, 6SE, D6SE, 6SFD, or D6SFD models. |
| 86337 | Extended life air drive. |



Power System Specialists

World safety standards and quality demands are rising. Component manufacturers are required to provide test certification and product quality assurance which can only be determined using the types of systems which Haskel can provide. Typically, we have built systems for production and field testing the proof, leak, and burst aspects of hoses, cylinders, and valves.

These systems can be portable, mobile, or static test rigs. We also offer a range of standard pressure packs used for power jacking, clamping, and other applications where reliable power is needed.

Selecting Your Accessories

Haskel can either provide accessories separately or supply them fitted to form a complete package suited to your application. Additionally, Haskel can fit customer nominated accessories. Our accessories catalog is available and our technical support team is always ready to advise you on the most suitable choice of accessories for your application.

- Air pilot switches
- Air pilot valves
- Regulating relief valves
- Directional control and release valves
- Hydraulic accumulators, gas receivers and storage cylinders
- High pressure valves, fittings and tubing
- Plenum chambers
- Port adapters
- Pressure regulators
- Gauge snubbers
- Filters
- Stainless steel check valves
- Intensifiers with integral checks for cycling
- Capillary type gauge snubbers

Quality and After-Sale Service



Haskel meets the requirements of international quality assurance ISO 9001. Build quality is matched by an innovative design and problem solving ability which stems from years of experience. Our representatives around the world are carefully chosen and trained to help you arrive at a correct product choice, and to offer a maintenance and parts service that is second to none.

Please ask for your copy of our latest accessories brochure.



Liquids Compatible with Haskel Pumps

To assist in easier pump selection, we have classified various popular liquids in groups and assigned to each group a service code. These service code numbers are featured in the chart to the right and are designated for each pump series. Seals and other wetted materials can be supplied to suit your preferred liquid. For advice, please contact our technical services personnel at 818-843-4000.

Services

Service Codes

- 1** Petroleum-based oils, kerosene, water with 5% soluble oil.
- 2** Plain water, diesel fuel.
- 3** Most phosphate ester-based fire-resistant hydraulic fluids, e.g. Pydraul, Lindol, Cellulube, Fyrquel, and Houghtosafe 1120 and petroleum-based solvents compatible with UHMWPE (Ultra-high Molecular Weight Polyethylene) dynamic seals and Viton static seals.
- 4** Petroleum-based solvents, e.g. boron fuels, aromatic hydrocarbons (benzene, toluene, xylene, hylene, etc.); chlorinated solvents (trichlorethylene, carbon tetrachloride, chlorobenzene, etc.); mercaptans, Dowtherm A, fluorinated solvents (fluorobenzene, fluorochlorethylene, etc.); Dowtherm E, plus all of Group 3 and some mildly corrosive acids compatible with wetted materials. See note 5A for service with methyl-ethyl-ketone, methyl acetone, diacetone, alcohol and freon 22.
- 5** Skydrol and Aerosafe hydraulic fluid; acetone and some alcohols (ethyl, methyl, and isopropyl).
- 5A.** Also suitable for these fluids if Viton static seals are replaced with EPR; specify modification number 51331 (no extra charge); e.g., 51331-MDTV-5. Most phosphate ester-based fluids solidify at approximately 30000 psi.
- 6** Deionized water; demineralized water.

Note: Dynamic seal life with non-lubricating fluids will understandably be less than with lubricating types.

Operating Temperatures

Drive Section

-4° (25°F) to +65°C (150°F) (low temperature seals are available for Arctic operation).

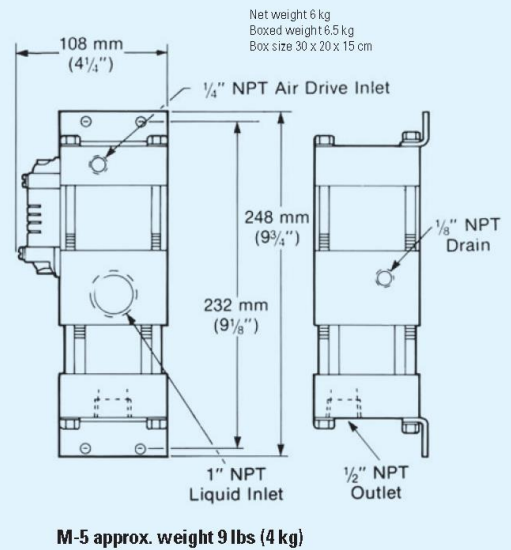
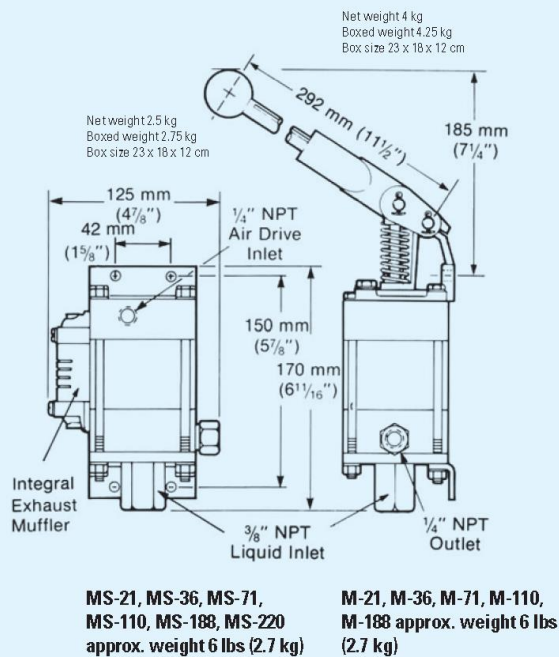
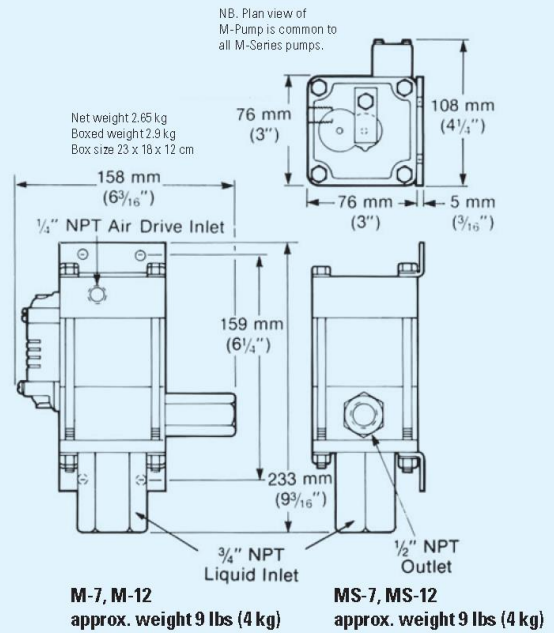
Liquid Section

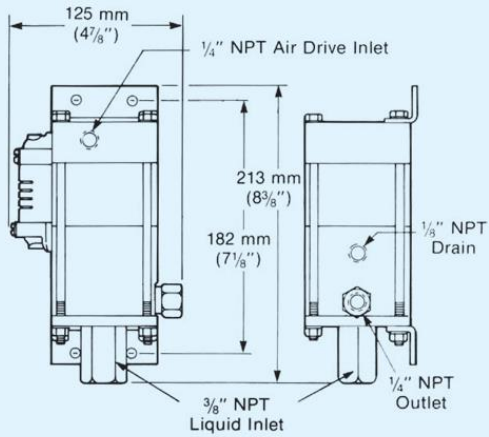
For reasonable seal life, high temperature should be limited to 54° C (130° F), for F and W seal models, 135° C (275° F) for T and TV models (with distance piece).

| hp | Model | Services | | | | | | |
|-----------------|----------------|----------|---|---|---|---|----|---|
| | | 1 | 2 | 3 | 4 | 5 | 5A | 6 |
| .33 | M | • | | | | | | |
| | MS | • | • | | | | | |
| | MDTV | • | | • | | | • | |
| | MDSTV | • | • | • | • | | • | |
| | MCPV | • | • | • | • | • | | |
| | 29723 | • | • | • | | • | | • |
| .75 | 4B -14 to -37 | • | | | | | | |
| | 4B -55 to -150 | • | • | | | | | |
| 1.5 2 2.2 | AW | • | | | | | | |
| | ASF | • | • | | | | | |
| | DF | • | | • | | | • | |
| | DSF | • | • | • | | | • | • |
| | HF | • | | | | | | |
| | HSF | • | • | | | | | |
| | DHF | • | | | | | • | |
| | DSHF | • | • | | | | • | • |
| | DSTV | • | • | • | • | | • | |
| | ATV | • | • | | | | | |
| | DTV | • | | | | | • | |
| | DSTV -1.5 | • | • | • | • | | • | • |
| | AFD | • | | | | | | |
| | DFD | • | | • | | | • | |
| | ASFD | • | • | | | | | |
| DSFD | • | • | • | | | • | • | |
| DXHF | • | | | | | • | | |
| DSXHF | • | • | | | | • | • | |
| DSXHW | • | • | | | | | | |
| 3 | ASFD | • | • | | | | | |
| 6 | GW | • | | | | | | |
| | GSF | • | • | | | | | |
| | DGF | • | | • | | | • | |
| | DGSF | • | • | • | | | • | • |
| | DGSTV | • | • | • | • | | • | |
| | GWD | • | | | | | | |
| | GSFD | • | • | | | | | |
| | DGFD | • | | • | | | • | |
| | DGSFD | • | • | • | • | | • | • |
| | DGSTVD | • | • | • | • | | • | |
| 8 | 8FD | • | | | | | | |
| | 8SFD | • | • | • | • | | • | |
| | 8DFD | • | | | | | | |
| | 8DSFD | • | • | | | | | |
| | 8DSTVD | • | | • | | | • | |
| | 8HSFD | • | • | • | • | | • | |
| 10 | D14STD -125 | • | • | • | • | | • | |
| | D14STD -315 | • | • | • | • | | • | |
| | D14SFD -125 | • | • | • | | | • | • |
| | D14SFD -315 | • | • | • | | | • | • |

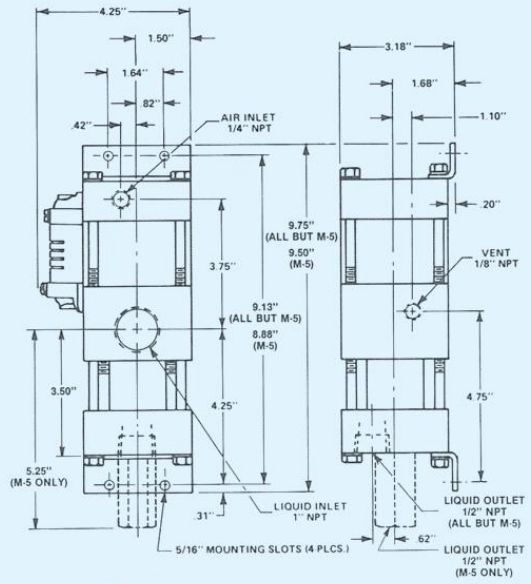
Weights and Dimensions

.33 hp (.25 kW) M Series Pump Models



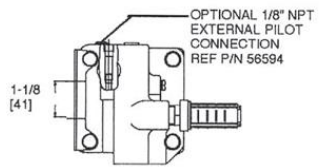
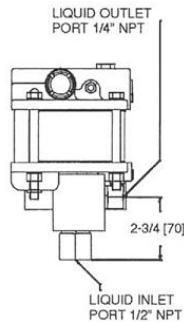
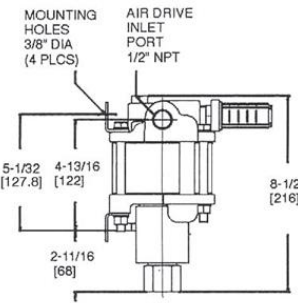
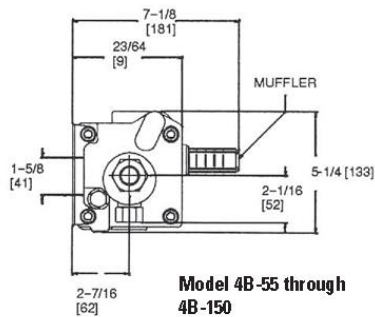
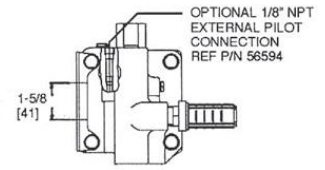
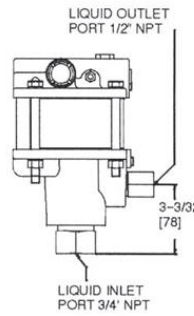
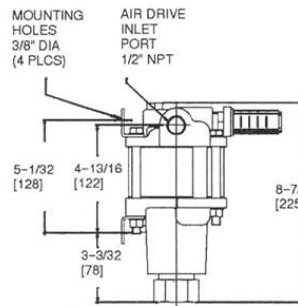
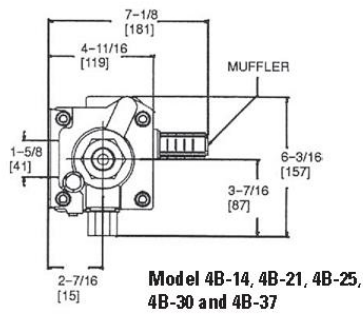


29723-21, 29723-36, 29723-71, 29723-110
approx. weight 6.5 lbs (3 kg)

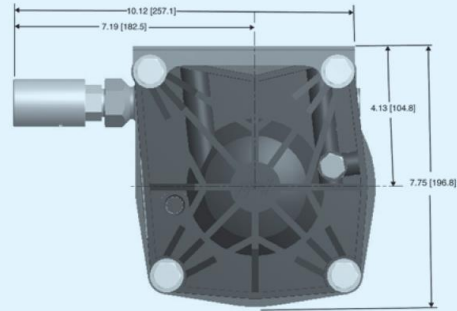
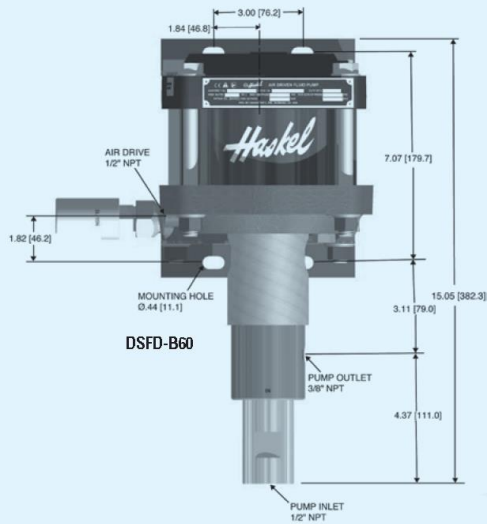


MDSTV-5
Approx weight 15 1/2 lbs (7 kg)

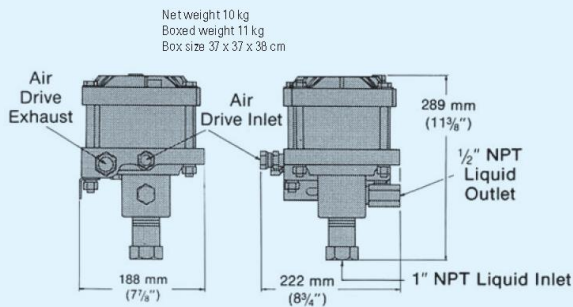
.75 hp (.56 kW) Pump Models



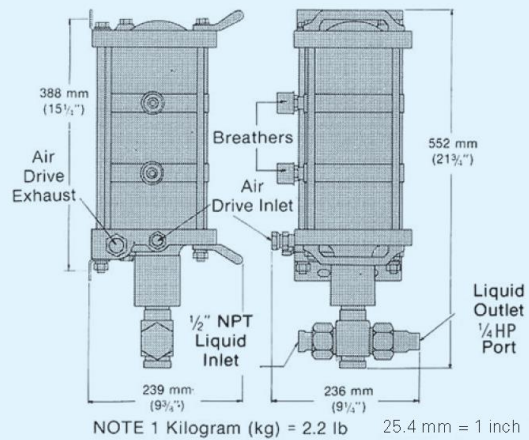
1.5 hp, 2 & 2.2 hp (1.12, 1.49 & 1.64 kW) Pump Models



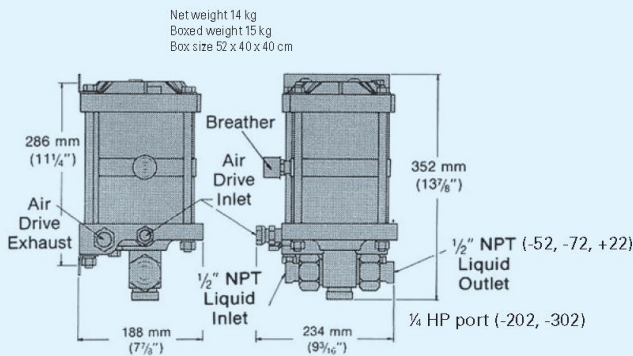
Net weight 18 kg
Boxed weight 20 kg
Box size 68 x 42 x 50 cm



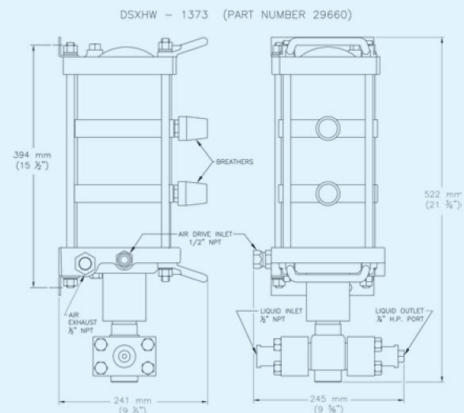
1.5 and 2 hp low ratio pumps;
-B10 and -B15 ratios



1.5 and 2 hp high ratio pumps;
-683 and -903 ratios

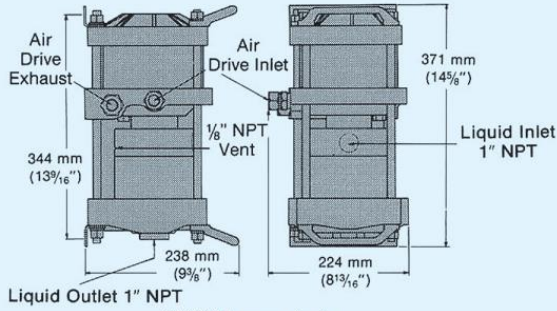


1.5 and 2 hp medium ratio pumps;
-52, -72, -122, -202 and -302 ratios



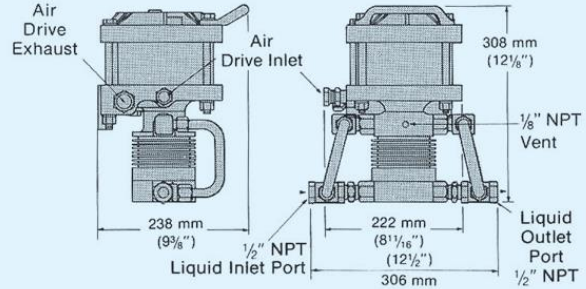
2 & 2.2 hp (1.49 & 1.64 kW) Pump Models

Net weight 18 kg
 Boxed weight 19 kg
 Box size 45 x 37 x 44 cm



DSTV-1.5 pump; single acting, high output

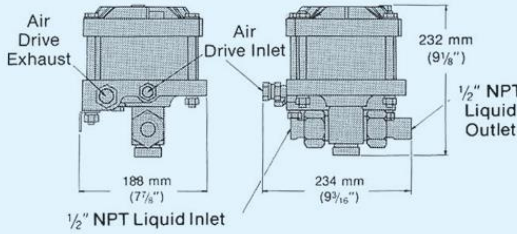
Net weight 10 kg
 Boxed weight 11 kg
 Box size 45 x 37 x 44 cm



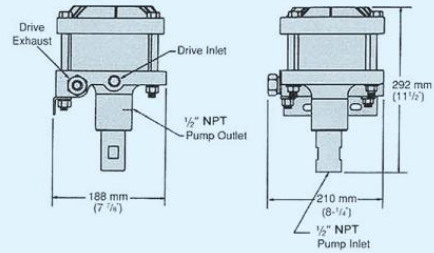
ATV-4 pumps; double acting, high output

Note: For model DTV-4, add distance piece dimension from page 11. Interconnecting inlet and outlet port tubing shown.

Net weight 9.5 kg
 Boxed weight 10 kg
 Box size 25 x 26 x 22 cm

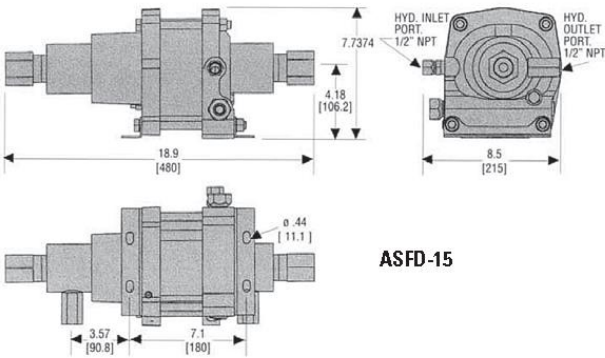


1.5 and 2 hp medium and high ratios; -25 through -150, -151, -225, -300 and -450 ratios

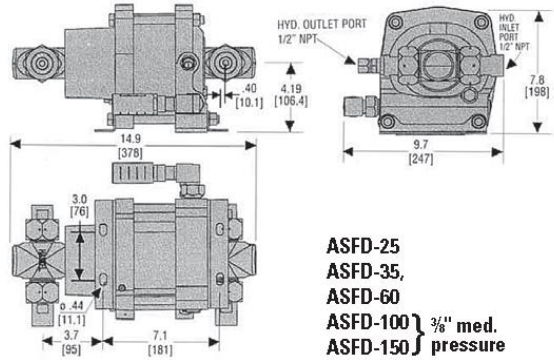


AFD or ASFD, -B60, -B100 pumps; double acting, high output

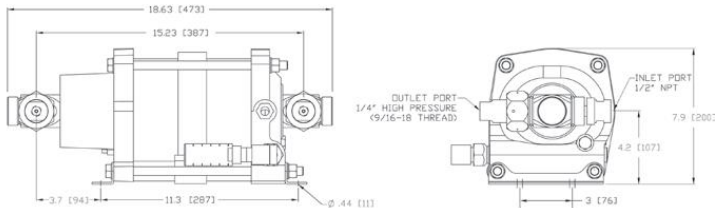
3 hp (2.24 kW) Pump Models



ASFD-15



ASFD-25, ASFD-35, ASFD-60, ASFD-100, ASFD-150 } 3/8" med. pressure

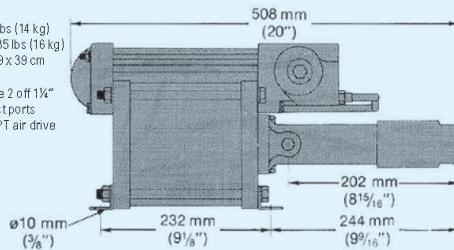


ASFD-202

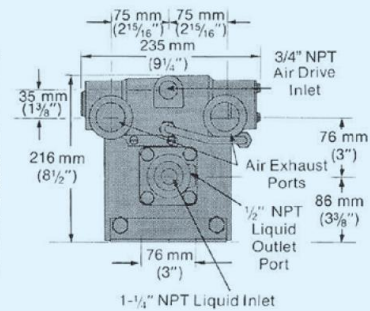
6 hp (4.47 kW) Pump Models

Net weight 31 lbs (14 kg)
 Boxed weight 35 lbs (16 kg)
 Box size 52 x 39 x 39 cm

All models have 2 off 1/4" NPT air exhaust ports and 1 off 3/4" NPT air drive inlet ports.

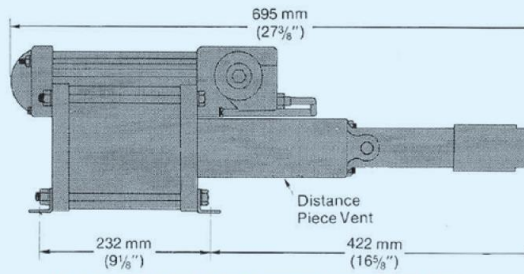


Models GW, GSF nominal ratio 35, 60 100:1

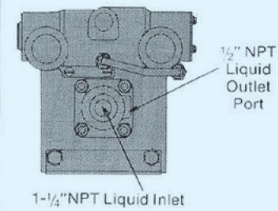


1-1/4" NPT Liquid Inlet

Net weight 41 lbs (18.5 kg)
 Boxed weight 48 (22 kg)
 Box size 66 x 41 x 49 cm



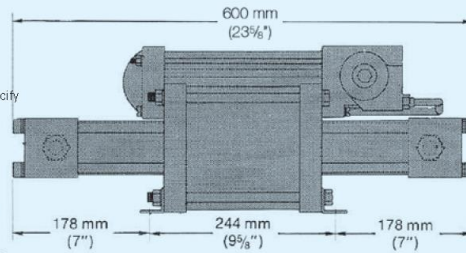
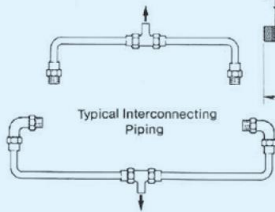
Models DGF, DGSF, DGSTV nominal ratio 35, 60 100:1



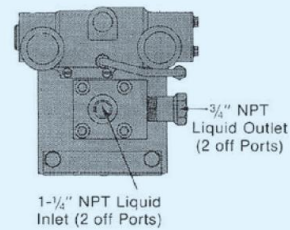
End dimensions as GW/GSF

Net weight 57 lbs (26 kg)
 Boxed weight 61 (27 kg)
 Box size 66 x 41 x 49 cm

If interconnecting piping for the two inlets and two outlets is required, specify modification 29077 with your order.



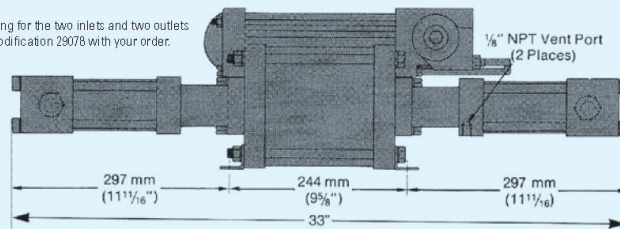
Models GWD, GSF nominal ratio 12:1



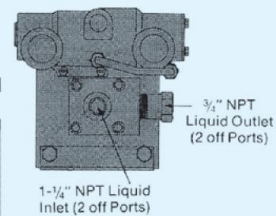
End dimensions as GW/GSF

Net weight 66 lbs (30 kg)
 Boxed weight 75 lbs (34 kg)
 Box size 91 x 51 x 39 cm

If interconnecting piping for the two inlets and two outlets is required, specify modification 29078 with your order.



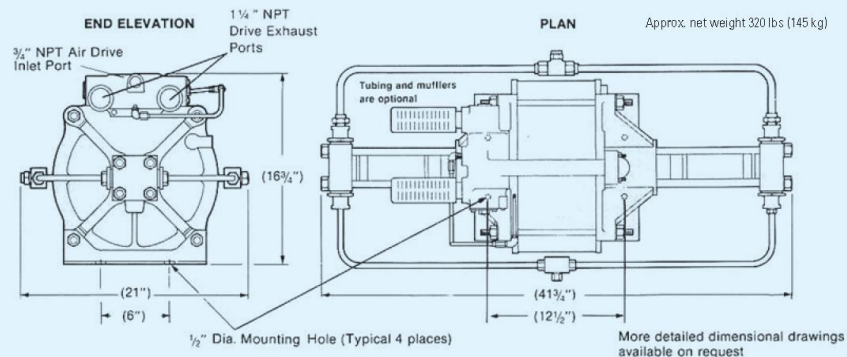
Models DGF, DGSF, DGSTVD nominal ratio 12:1



8 hp (5.97 kW) Pump Models

| Model | Length | Width | Height | Weight | Air Drive | Liquid Inlet | Liquid Outlet |
|----------------------------------|--------------------|-----------------|--------------|------------------|-----------|--|--|
| 8FD-25 8SFD-25 | 25 3/8" (644.5 mm) | 9 1/2" (241 mm) | 11" (279 mm) | 80 lbs (36 kg) | 3/4" | 1 1/4" NPT ⁽²⁾ | 3/4" NPT ⁽²⁾ |
| 8DFD-25 8DSFD-25 8DSTVD-25 | 34 3/4" (883 mm) | 9 1/2" (241 mm) | 11" (279 mm) | 94 lbs (43 kg) | 3/4" | 1 1/4" NPT ⁽²⁾ | 3/4" NPT ⁽²⁾ |
| 8SFD-40 | 26 7/8" (683 mm) | 9 1/2" (241 mm) | 11" (279 mm) | 64 lbs (29 kg) | 3/4" | 1" NPT | 3/8" NPT |
| 8SFD-65 | 26 7/8" (683 mm) | 9 1/2" (241 mm) | 11" (279 mm) | 63 lbs (28.5 kg) | 3/4" | 1" NPT | 1/2" NPT |
| 8HSFD-225 | 28 3/4" (721) | 9 1/2" (241 mm) | 11" (279 mm) | 71 lbs (32 kg) | 3/4" | 3/4" M/P (20K coned and threaded connection) | 3/8" M/P (20K coned and threaded connection) |
| 8DSFD-100 | 41 3/4" (1060 mm) | 9 1/2" (241 mm) | 11" (279 mm) | 92 lbs (42 kg) | 3/4" | 1 1/4" NPT ⁽²⁾ | 3/4" NPT ⁽²⁾ |

10 hp (7.46 kW) Pump Models



Note: See 29079 interconnecting tubing optional page 15. (29079 shown)
 Single Inlet port – 3/4" JIC male flare connection, single outlet port 3/4" HP ports (BuTech).
 Individual Pump ports – Liquid inlets 2 ea. 1/2" NPT ports, 2 ea. 3/8" HP ports (BuTech)

CELEBRATING OVER 80
YEARS OF HYDRAULIC AND
PNEUMATIC ENGINEERING
EXPERIENCE IN THE DESIGN
AND MANUFACTURING
OF HIGH PRESSURE
GENERATING EQUIPMENT
AND CONTROLS



QMS225
EMSS11920

Haskel International, Inc.

100 East Graham Place
Burbank, California 91502 USA
Tel: 818-843-4000 / Fax: 818-566-2649 or 818-841-4291
www.haskel.com

Haskel Europe Ltd.

North Hylton Road
Sunderland SR5 3JD, England, UK
Tel: 44-191-549-1212 / Fax: 44-191-549-0911
www.haskel-europe.com

Haskel Middle East

Hamilton Sundstrand Industrial ME FZE
P.O. Box 262384 Jebel Ali, Dubai, United Arab Emirates
Tel: +971 4886 2686 / Fax: +971 4886 2687
Email: sales@haskel.ae

Haskel Asia

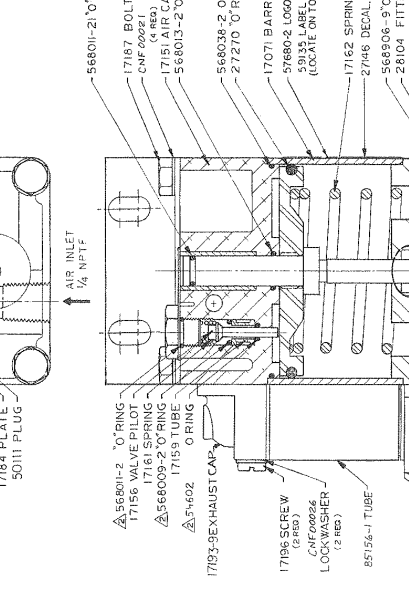
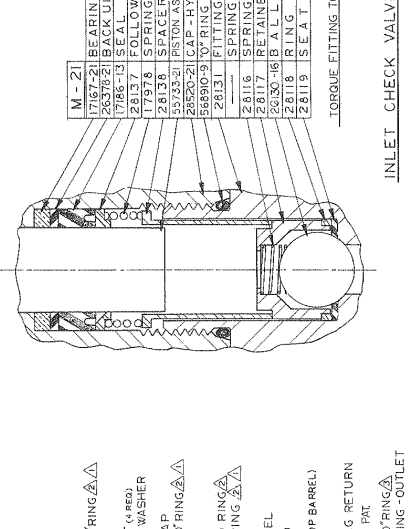
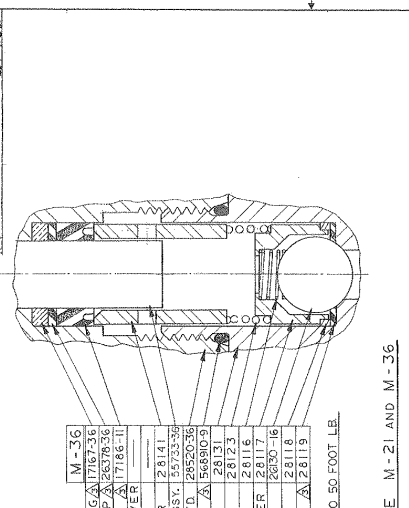
Hamilton Sundstrand Singapore Industrial Pte. Ltd.
23 Tagore Lane #03-06
Tagore 23 Warehouse Complex, Singapore 787601
Tel: 65-6455-7589 / Fax: 65-6455-2841
www.haskel.com.sg

For further information on Haskel
products, please visit us online at
www.haskel.com

| | | | | | |
|---|-----------------------|---|-----------|---|-----------|
| 1 | REVISED PER REQ 72424 | 3 | 15 JUN 78 | 4 | 15 JUN 78 |
| 2 | REVISED PER REQ 72463 | 5 | 15 JUN 78 | 6 | 15 JUN 78 |

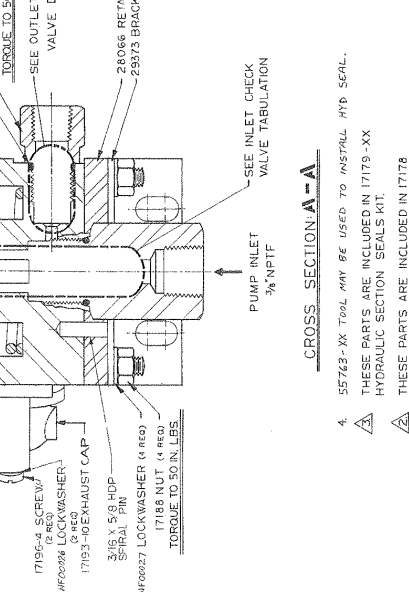
| | | | | | |
|---|-----------------------|---|-----------|---|-----------|
| 1 | REVISED PER REQ 72424 | 3 | 15 JUN 78 | 4 | 15 JUN 78 |
| 2 | REVISED PER REQ 72463 | 5 | 15 JUN 78 | 6 | 15 JUN 78 |

| | | | | | |
|---|-----------------------|---|-----------|---|-----------|
| 1 | REVISED PER REQ 72424 | 3 | 15 JUN 78 | 4 | 15 JUN 78 |
| 2 | REVISED PER REQ 72463 | 5 | 15 JUN 78 | 6 | 15 JUN 78 |

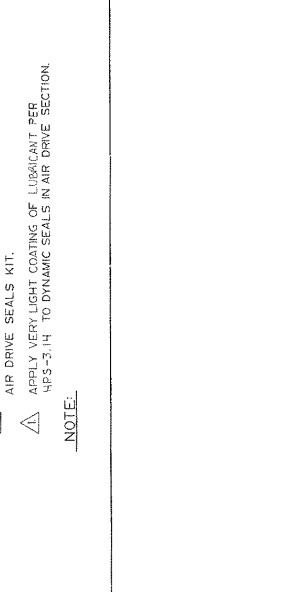
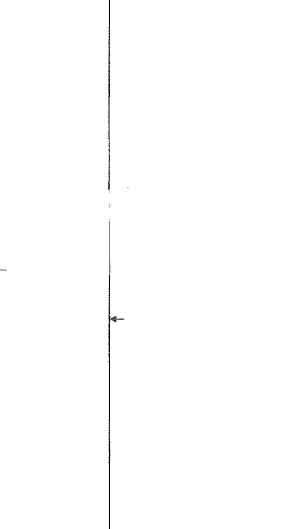
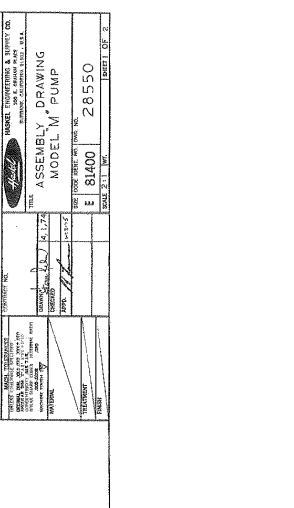


| M - 21 | M - 36 |
|--------------------|----------|
| 17167-21 BEARING | 17167-36 |
| 26376-21 BACK UP | 26376-36 |
| 17186-9 SEAL | 17186-11 |
| 28142 SPACER | 28142 |
| 28520-21 CAP - HYD | 28520-36 |
| 28136 SPRING | 28136 |
| 56890-9 O-RING | 56890-9 |
| 28131 FITTING | 28131 |
| 28117 SHANK | 28117 |
| 28117 RETAINER | 28117 |
| 28118 BALL | 28118 |
| 28119 SEAT | 28119 |

| M - 71 | M - 110 | M - 188 |
|--------------------|-----------|-----------|
| 17167-71 BEARING | 17167-110 | 17167-188 |
| 26376-71 BACK UP | 26376-110 | 26376-188 |
| 17186-9 SEAL | 17186-9 | 17186-7 |
| 28142 SPACER | 28142 | 28142 |
| 28520-71 CAP - HYD | 28520-110 | 28520-188 |
| 28136 SPRING | 28136 | 28136 |
| 56890-9 O-RING | 56890-9 | 56890-9 |
| 28062 SPRING | 28062 | 28062 |
| 28063-2 SHANK | 28063-2 | 28063-2 |
| 28063-1 BALL | 28063-1 | 28063-1 |
| 28063-1 RING | 28063-1 | 28063-1 |
| 28061-3 SEAT | 28061-3 | 28061-3 |



| M - 71 | M - 110 | M - 188 |
|--------------------|-----------|-----------|
| 17167-71 BEARING | 17167-110 | 17167-188 |
| 26376-71 BACK UP | 26376-110 | 26376-188 |
| 17186-9 SEAL | 17186-9 | 17186-7 |
| 28142 SPACER | 28142 | 28142 |
| 28520-71 CAP - HYD | 28520-110 | 28520-188 |
| 28136 SPRING | 28136 | 28136 |
| 56890-9 O-RING | 56890-9 | 56890-9 |
| 28062 SPRING | 28062 | 28062 |
| 28063-2 SHANK | 28063-2 | 28063-2 |
| 28063-1 BALL | 28063-1 | 28063-1 |
| 28063-1 RING | 28063-1 | 28063-1 |
| 28061-3 SEAT | 28061-3 | 28061-3 |



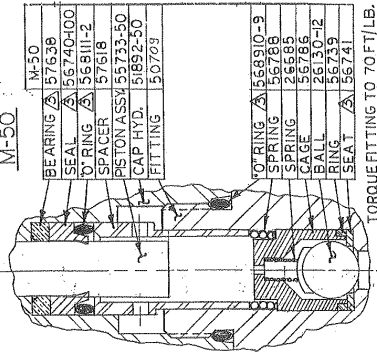
4. 55743-XX TOOL MAY BE USED TO INSTALL HYD SEAL.
 THESE PARTS ARE INCLUDED IN 17179-XX HYDRAULIC SECTION SEALS KIT.
 THESE PARTS ARE INCLUDED IN 17178 AIR DRIVE SEALS KIT.
 APPLY VERY LIGHT COATING OF LUBRICANT PER 17179-3.14 TO DYNAMIC SEALS IN AIR DRIVE SECTION.

NOTE:

1. USE OF THIS DRAWING IS LIMITED TO THE SPECIFIC PROJECT AND SITE.
 2. THIS DRAWING IS THE PROPERTY OF THE COMPANY AND IS NOT TO BE REPRODUCED OR TRANSMITTED IN ANY FORM OR BY ANY MEANS, ELECTRONIC OR MECHANICAL, INCLUDING PHOTOCOPYING, RECORDING, OR BY ANY INFORMATION STORAGE AND RETRIEVAL SYSTEM.
 3. THE COMPANY ASSUMES NO LIABILITY FOR ANY DAMAGE OR LOSS OF PROFITS, BUSINESS, OR REVENUE, OR FOR ANY SPECIAL, CONSEQUENTIAL, OR INCIDENTAL DAMAGES, ARISING OUT OF THE USE OF THIS DRAWING.
 4. THE COMPANY ASSUMES NO LIABILITY FOR ANY DAMAGE OR LOSS OF PROFITS, BUSINESS, OR REVENUE, OR FOR ANY SPECIAL, CONSEQUENTIAL, OR INCIDENTAL DAMAGES, ARISING OUT OF THE USE OF THIS DRAWING.
 5. THE COMPANY ASSUMES NO LIABILITY FOR ANY DAMAGE OR LOSS OF PROFITS, BUSINESS, OR REVENUE, OR FOR ANY SPECIAL, CONSEQUENTIAL, OR INCIDENTAL DAMAGES, ARISING OUT OF THE USE OF THIS DRAWING.

REVISIONS
 1. 11/15/08
 2. 11/15/08
 3. 11/15/08
 4. 11/15/08
 5. 11/15/08
 6. 11/15/08
 7. 11/15/08
 8. 11/15/08
 9. 11/15/08
 10. 11/15/08
 11. 11/15/08
 12. 11/15/08
 13. 11/15/08
 14. 11/15/08
 15. 11/15/08
 16. 11/15/08
 17. 11/15/08
 18. 11/15/08
 19. 11/15/08
 20. 11/15/08
 21. 11/15/08
 22. 11/15/08
 23. 11/15/08
 24. 11/15/08
 25. 11/15/08
 26. 11/15/08
 27. 11/15/08
 28. 11/15/08
 29. 11/15/08
 30. 11/15/08
 31. 11/15/08
 32. 11/15/08
 33. 11/15/08
 34. 11/15/08
 35. 11/15/08
 36. 11/15/08
 37. 11/15/08
 38. 11/15/08
 39. 11/15/08
 40. 11/15/08
 41. 11/15/08
 42. 11/15/08
 43. 11/15/08
 44. 11/15/08
 45. 11/15/08
 46. 11/15/08
 47. 11/15/08
 48. 11/15/08
 49. 11/15/08
 50. 11/15/08
 51. 11/15/08
 52. 11/15/08
 53. 11/15/08
 54. 11/15/08
 55. 11/15/08
 56. 11/15/08
 57. 11/15/08
 58. 11/15/08
 59. 11/15/08
 60. 11/15/08
 61. 11/15/08
 62. 11/15/08
 63. 11/15/08
 64. 11/15/08
 65. 11/15/08
 66. 11/15/08
 67. 11/15/08
 68. 11/15/08
 69. 11/15/08
 70. 11/15/08
 71. 11/15/08
 72. 11/15/08
 73. 11/15/08
 74. 11/15/08
 75. 11/15/08
 76. 11/15/08
 77. 11/15/08
 78. 11/15/08
 79. 11/15/08
 80. 11/15/08
 81. 11/15/08
 82. 11/15/08
 83. 11/15/08
 84. 11/15/08
 85. 11/15/08
 86. 11/15/08
 87. 11/15/08
 88. 11/15/08
 89. 11/15/08
 90. 11/15/08
 91. 11/15/08
 92. 11/15/08
 93. 11/15/08
 94. 11/15/08
 95. 11/15/08
 96. 11/15/08
 97. 11/15/08
 98. 11/15/08
 99. 11/15/08
 100. 11/15/08

INLET CHECK VALVE
M-50



- BEARING M-50
- SEAL 57639
- O-RING 56740-00
- SPACER 57618
- PISTON ASSY 5733-50
- CAP HYD. 5892-50
- FITTING 50729
- TOR RING 56890-9
- SPRING 56788
- SPRING 26685
- CAGE 56786
- BALL 26130-12
- RING 56739
- SEAT 56741

TORQUE FITTING TO 70 FT/LB.

| | | | |
|---|---|-------------------------------|---------------------------------------|
| CONTRACT NO. PROJECT NO. DRAWING NO. SHEET NO. | TITLE ASSEMBLY DRAWING MODEL "M" PUMP | DATE 11/15/08 | DRAWN BY CHECKED BY APPROVED BY |
| COMPANY ADDRESS CITY STATE ZIP | | PROJECT LOCATION CLIENT | |



APPENDIX III

HC-1961 Hand Pump Parts List



**Model: HC-1961
3250 psi Hand Pump**

**Parts List
With Illustrations**

05/2005 – Rev. OR

This product can not be modified without the written approval of Tronair, Inc. Any modifications done without written approval voids all warranties and releases Tronair, Inc., its suppliers, distributors, employees, or financial institutions from any liability from consequences that may occur.

This pump is compatible with MIL-PRF-5606/MIL-PRF-83282 Hydraulic Fluids only.

INSTALLATION INSTRUCTIONS:

1. Inspect all parts. Replace all worn or otherwise defective parts.
2. Clean all parts prior to re-assembly.
3. Lubricate all O-rings with clean system hydraulic fluid prior to installation.
4. Torque pump screws (Item 4) to 10 ft-lbs.

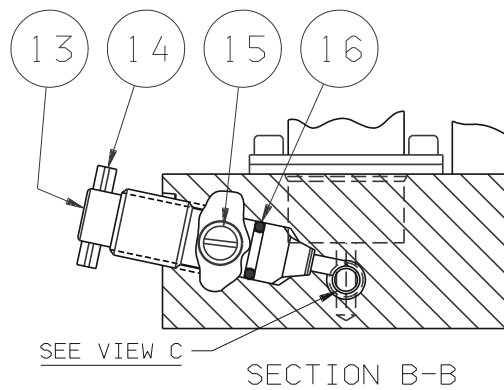
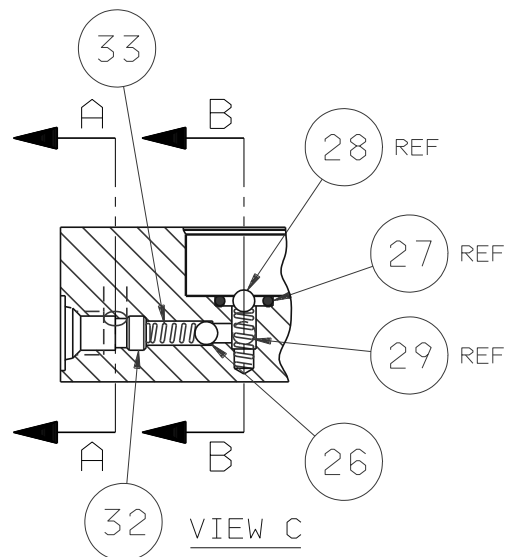
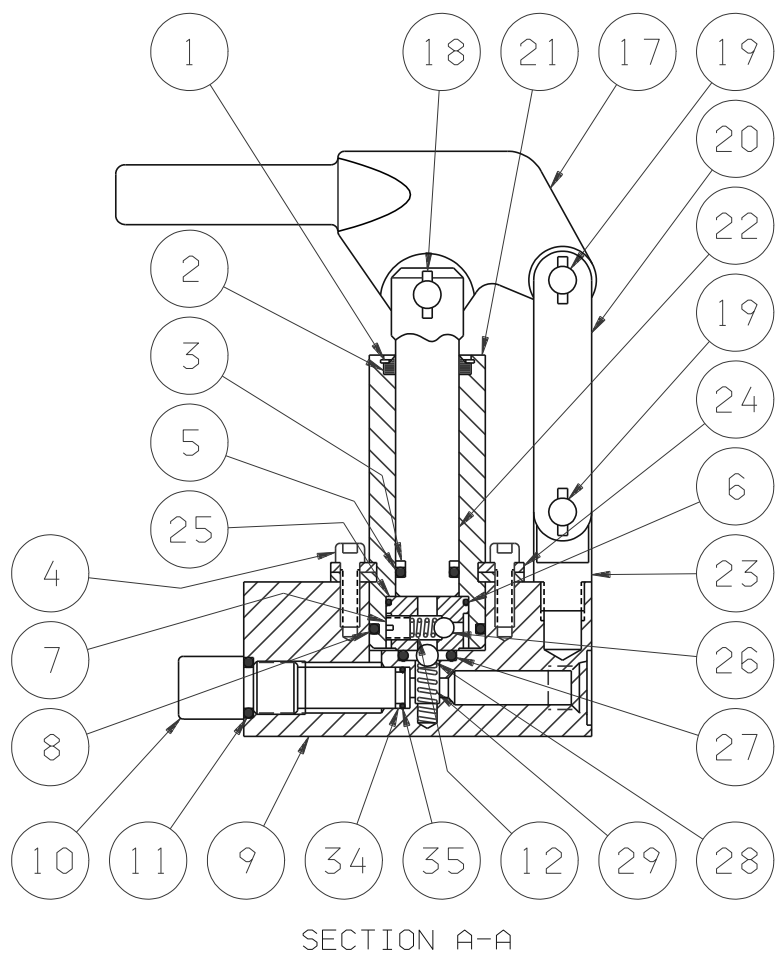
Parts List

When ordering Replacement Parts/Kits, please specify Model and Serial Number of your Unit.

Reference Illustration on following page

| ITEM | PART NUMBER | DESCRIPTION | QTY |
|---------------|---------------------|---|-----|
| 4 | 518-000 | Screw, Socket Head Cap | 4 |
| 9 | Not Sold Separately | Pump Body | 1 |
| 10 | H-2606 | Assembly, Relief Screw | 1 |
| 24 | 506-000 | Flange Half | 4 |
| Not Shown | H-1009-01 | Handle | 1 |
| K-1068 | | Kit, Linkage Replacement; consists of: | |
| 17 | | Bracket, Pump Handle | 1 |
| 18 | | Assembly, Clevis Pin | 1 |
| 19 | | Assembly, Linkage Pin | 2 |
| 20 | | Strap | 2 |
| 23 | | Pivot | 1 |
| K-1778 | | Kit, Piston/Cylinder Replacement; consists of: | |
| 1 | | Retainer, Wiper | 1 |
| 21 | | Tube | 1 |
| 22 | | Piston | 1 |
| 25 | | Assembly, Valve Body (Includes Items 7, 12, 25, 26) | 1 |
| K-1906 | | Kit, Piston/Seal Replacement; consists of: | |
| 3 | | Ring, Backup | 1 |
| 5 | | O-ring, Piston | 1 |
| 22 | | Piston | 1 |
| K-3342 | | Kit, Internal Parts Replacement; consists of: | |
| 12 | | Spring, Inlet Check | 1 |
| 26 | | Ball, Inlet Check | 2 |
| 28 | | Ball, Outlet Check | 1 |
| 29 | | Spring, Outlet Check | 1 |
| 33 | | Spring, Inlet Check | 1 |
| K-3343 | | Kit, Release Screw Replacement; consists of: | |
| 13 | | Screw, Release | 1 |
| 14 | | Pin, Roll | 1 |
| 15 | | Retainer, Screw | 1 |
| 16 | | O-ring | 1 |
| K-3441 | | Kit, Seal Replacement; consists of: | |
| 2 | | Wiper, Rod | 1 |
| 3 | | Ring, Backup | 1 |
| 5 | | O-ring, Piston | 1 |
| 6 | | O-ring, Valve Body | 1 |
| 8 | | O-ring, Tube Seal | 1 |
| 11 | | O-ring, Relief Screw | 1 |
| 16 | | O-ring, Release Screw | 1 |
| 27 | | O-ring, Outlet Check | 1 |
| 34 | | Ring, Backup Relief Screw | 1 |
| 35 | | O-ring, Relief Screw | 1 |

Parts List Illustrations



WARNING!

Item 10 (H-2606) is a preset relief valve. Do Not disassemble this valve.
Replacement parts are available as a preset relief valve assembly



APPENDIX IV

Declaration of Conformity



DECLARATION of CONFORMITY

The design, development and manufacture is in accordance with European Community guidelines

Tripod Jack
02-7849C0120
02A7849C0120

Relevant provisions complied with by the machinery:
2006/42/EC

Relevant standards complied with by the machinery:
EN ISO 12100-1

Identification of person empowered to sign on behalf of the Manufacturer:

A handwritten signature in black ink that reads "Patrick Funch". The signature is written in a cursive style with a horizontal line underneath it.

Quality Assurance Representative



APPENDIX V

**Safety Data Sheet
MIL-PRF-5606 Hydraulic Fluid**

SAFETY DATA SHEET

SECTION 1 PRODUCT AND COMPANY IDENTIFICATION**PRODUCT**

Product Name: MOBIL AERO HFA
Product Description: Base Oil and Additives
Product Code: 201550401020, 490110-00, 970584
Intended Use: Aviation hydraulic oil

COMPANY IDENTIFICATION

Supplier: EXXON MOBIL CORPORATION
22777 Springwoods Village Parkway
Spring, TX. 77253 USA
24 Hour Health Emergency 609-737-4411
Transportation Emergency Phone 800-424-9300 or 703-527-3887 CHEMTREC
Product Technical Information 800-662-4525
MSDS Internet Address <http://www.exxon.com>, <http://www.mobil.com>

SECTION 2 HAZARDS IDENTIFICATION

This material is hazardous according to regulatory guidelines (see (M)SDS Section 15).

CLASSIFICATION:

Flammable liquid: Category 4.
Aspiration toxicant: Category 1.

LABEL:**Pictogram:**

Signal Word: Danger

Hazard Statements:

H227: Combustible liquid. H304: May be fatal if swallowed and enters airways.

Precautionary Statements:

P210: Keep away from flames and hot surfaces. -- No smoking. P273: Avoid release to the environment. P280: Wear protective gloves and eye / face protection. P301 + P310: IF SWALLOWED: Immediately call a POISON CENTER or doctor/physician. P331: Do NOT induce vomiting. P370 + P378: In case of fire: Use water fog, foam, dry chemical or carbon dioxide (CO2) to extinguish. P403 + P235: Store in a well-ventilated place. Keep cool. P405: Store locked up. P501: Dispose of contents and container in accordance with local regulations.

Product Name: MOBIL AERO HFA
 Revision Date: 01 Oct 2015
 Page 2 of 12

Other hazard information:

HAZARD NOT OTHERWISE CLASSIFIED (HNOC): None as defined under 29 CFR 1910.1200.

PHYSICAL / CHEMICAL HAZARDS

Material can accumulate static charges which may cause an ignition. Material can release vapors that readily form flammable mixtures. Vapor accumulation could flash and/or explode if ignited. Combustible.

HEALTH HAZARDS

High-pressure injection under skin may cause serious damage. Excessive exposure may result in eye, skin, or respiratory irritation.

ENVIRONMENTAL HAZARDS

No significant hazards.

| | | | |
|------------------------|------------|-----------------|---------------|
| NFPA Hazard ID: | Health: 1 | Flammability: 2 | Reactivity: 0 |
| HMIS Hazard ID: | Health: 1* | Flammability: 2 | Reactivity: 0 |

NOTE: This material should not be used for any other purpose than the intended use in Section 1 without expert advice. Health studies have shown that chemical exposure may cause potential human health risks which may vary from person to person.

| | |
|------------------|---|
| SECTION 3 | COMPOSITION / INFORMATION ON INGREDIENTS |
|------------------|---|

This material is defined as a mixture.

Hazardous Substance(s) or Complex Substance(s) required for disclosure

| Name | CAS# | Concentration* | GHS Hazard Codes |
|--|------------|----------------|---------------------------------------|
| 2,6-DI-TERT-BUTYL-P-CRESOL | 128-37-0 | 0.1 - < 1% | H400(M factor 1), H410(M factor 1) |
| DISTILLATES (PETROLEUM), HYDROTREATED LIGHT | 64742-47-8 | 5 - < 10% | H304 |
| HYDROTREATED LIGHT NAPHTHENIC DISTILLATE (PETROLEUM) | 64742-53-6 | 50 - < 70% | H227, H304 |
| HYDROTREATED MIDDLE DISTILLATE (PETROLEUM) | 64742-46-7 | 20 - < 30% | H304 |
| TRIPHENYL PHOSPHATE | 115-86-6 | 0.1 - < 0.25% | H400(M factor 1), H410(M factor 1) |

* All concentrations are percent by weight unless material is a gas. Gas concentrations are in percent by volume.

As per paragraph (i) of 29 CFR 1910.1200, formulation is considered a trade secret and specific chemical identity and exact percentage (concentration) of composition may have been withheld. Specific chemical identity and exact percentage composition will be provided to health professionals, employees, or designated representatives in accordance with applicable provisions of paragraph (i).

| | |
|------------------|---------------------------|
| SECTION 4 | FIRST AID MEASURES |
|------------------|---------------------------|

INHALATION

Remove from further exposure. For those providing assistance, avoid exposure to yourself or others. Use adequate respiratory protection. If respiratory irritation, dizziness, nausea, or unconsciousness occurs, seek immediate medical assistance. If breathing has stopped, assist ventilation with a mechanical device or use mouth-to-mouth resuscitation.

SKIN CONTACT

Wash contact areas with soap and water. Remove contaminated clothing. Launder contaminated clothing before reuse. If product is injected into or under the skin, or into any part of the body, regardless of the appearance of the wound or its size, the individual should be evaluated immediately by a physician as a surgical emergency. Even though initial symptoms from high pressure injection may be minimal or absent, early surgical treatment within the first few hours may significantly reduce the ultimate extent of injury.

EYE CONTACT

Flush thoroughly with water. If irritation occurs, get medical assistance.

INGESTION

Seek immediate medical attention. Do not induce vomiting.

NOTE TO PHYSICIAN

If ingested, material may be aspirated into the lungs and cause chemical pneumonitis. Treat appropriately.

SECTION 5 FIRE FIGHTING MEASURES

EXTINGUISHING MEDIA

Appropriate Extinguishing Media: Use water fog, foam, dry chemical or carbon dioxide (CO₂) to extinguish flames.

Inappropriate Extinguishing Media: Straight Streams of Water

FIRE FIGHTING

Fire Fighting Instructions: Evacuate area. Prevent runoff from fire control or dilution from entering streams, sewers, or drinking water supply. Firefighters should use standard protective equipment and in enclosed spaces, self-contained breathing apparatus (SCBA). Use water spray to cool fire exposed surfaces and to protect personnel.

Unusual Fire Hazards: Combustible. Pressurized mists may form a flammable mixture.

Hazardous Combustion Products: Aldehydes, Incomplete combustion products, Oxides of carbon, Phosphorus oxides, Smoke, Fume, Sulfur oxides

FLAMMABILITY PROPERTIES

Flash Point [Method]: >82°C (180°F) [ASTM D-93]

Flammable Limits (Approximate volume % in air): LEL: 0.7 UEL: 7.0 [Estimated]

Autoignition Temperature: >225°C (437°F)

SECTION 6 ACCIDENTAL RELEASE MEASURES

NOTIFICATION PROCEDURES

In the event of a spill or accidental release, notify relevant authorities in accordance with all applicable

Product Name: MOBIL AERO HFA

Revision Date: 01 Oct 2015

Page 4 of 12

regulations. US regulations require reporting releases of this material to the environment which exceed the applicable reportable quantity or oil spills which could reach any waterway including intermittent dry creeks. The National Response Center can be reached at (800)424-8802.

PROTECTIVE MEASURES

Avoid contact with spilled material. Warn or evacuate occupants in surrounding and downwind areas if required due to toxicity or flammability of the material. See Section 5 for fire fighting information. See the Hazard Identification Section for Significant Hazards. See Section 4 for First Aid Advice. See Section 8 for advice on the minimum requirements for personal protective equipment. Additional protective measures may be necessary, depending on the specific circumstances and/or the expert judgment of the emergency responders.

For emergency responders: Respiratory protection: respiratory protection will be necessary only in special cases, e.g., formation of mists. Half-face or full-face respirator with filter(s) for dust/organic vapor or Self Contained Breathing Apparatus (SCBA) can be used depending on the size of spill and potential level of exposure. If the exposure cannot be completely characterized or an oxygen deficient atmosphere is possible or anticipated, SCBA is recommended. Work gloves that are resistant to hydrocarbons are recommended. Gloves made of polyvinyl acetate (PVA) are not water-resistant and are not suitable for emergency use. Chemical goggles are recommended if splashes or contact with eyes is possible. Small spills: normal antistatic work clothes are usually adequate. Large spills: full body suit of chemical resistant, antistatic material is recommended.

SPILL MANAGEMENT

Land Spill: Eliminate all ignition sources (no smoking, flares, sparks or flames in immediate area). Stop leak if you can do it without risk. All equipment used when handling the product must be grounded. Do not touch or walk through spilled material. Prevent entry into waterways, sewer, basements or confined areas. A vapor suppressing foam may be used to reduce vapors. Use clean non-sparking tools to collect absorbed material. Absorb or cover with dry earth, sand or other non-combustible material and transfer to containers. Large Spills: Water spray may reduce vapor; but may not prevent ignition in closed spaces. Recover by pumping or with suitable absorbent.

Water Spill: Stop leak if you can do it without risk. Confine the spill immediately with booms. Warn other shipping. Remove from the surface by skimming or with suitable absorbents. Seek the advice of a specialist before using dispersants.

Water spill and land spill recommendations are based on the most likely spill scenario for this material; however, geographic conditions, wind, temperature, (and in the case of a water spill) wave and current direction and speed may greatly influence the appropriate action to be taken. For this reason, local experts should be consulted. Note: Local regulations may prescribe or limit action to be taken.

ENVIRONMENTAL PRECAUTIONS

Large Spills: Dike far ahead of liquid spill for later recovery and disposal. Prevent entry into waterways, sewers, basements or confined areas.

SECTION 7

HANDLING AND STORAGE

HANDLING

Avoid contact with skin. Avoid prolonged breathing of mists and heated vapor. Prevent small spills and leakage to avoid slip hazard. Material can accumulate static charges which may cause an electrical spark (ignition source). When the material is handled in bulk, an electrical spark could ignite any flammable vapors from liquids or residues that may be present (e.g., during switch-loading operations). Use proper bonding and/or ground procedures. However, bonding and grounds may not eliminate the hazard from static

accumulation. Consult local applicable standards for guidance. Additional references include American Petroleum Institute 2003 (Protection Against Ignitions Arising out of Static, Lightning and Stray Currents) or National Fire Protection Agency 77 (Recommended Practice on Static Electricity) or GENELEC CLC/TR 50404 (Electrostatics - Code of practice for the avoidance of hazards due to static electricity).

Static Accumulator: This material is a static accumulator.

STORAGE

The container choice, for example storage vessel, may effect static accumulation and dissipation. Keep container closed. Handle containers with care. Open slowly in order to control possible pressure release. Store in a cool, well-ventilated area. Storage containers should be grounded and bonded. Fixed storage containers, transfer containers and associated equipment should be grounded and bonded to prevent accumulation of static charge.

SECTION 8 EXPOSURE CONTROLS / PERSONAL PROTECTION

EXPOSURE LIMIT VALUES

Exposure limits/standards (Note: Exposure limits are not additive)

| Substance Name | Form | Limit / Standard | | NOTE | Source |
|---|------------------------------|------------------|-----------------------|------|---------|
| 2,6-DI-TERT-BUTYL-P-CRESOL | Inhalable fraction and vapor | TWA | 2 mg/m ³ | N/A | ACGIH |
| DISTILLATES (PETROLEUM), HYDROTREATED LIGHT [total hydrocarbon vapor] | Non-Aerosol | TWA | 200 mg/m ³ | Skin | ACGIH |
| HYDROTREATED LIGHT NAPHTHENIC DISTILLATE (PETROLEUM) | Mist. | TWA | 5 mg/m ³ | N/A | OSHA Z1 |
| HYDROTREATED LIGHT NAPHTHENIC DISTILLATE (PETROLEUM) | Inhalable fraction. | TWA | 5 mg/m ³ | N/A | ACGIH |
| HYDROTREATED LIGHT NAPHTHENIC DISTILLATE (PETROLEUM) | Mist. | TWA | 5 mg/m ³ | N/A | ACGIH |
| HYDROTREATED MIDDLE DISTILLATE (PETROLEUM) | Mist. | TWA | 5 mg/m ³ | N/A | OSHA Z1 |
| HYDROTREATED MIDDLE DISTILLATE (PETROLEUM) | Inhalable fraction. | TWA | 5 mg/m ³ | N/A | ACGIH |
| TRIPHENYL PHOSPHATE | | TWA | 3 mg/m ³ | N/A | OSHA Z1 |
| TRIPHENYL PHOSPHATE | | TWA | 3 mg/m ³ | N/A | ACGIH |

Exposure limits/standards for materials that can be formed when handling this product: When mists/aerosols can occur the following are recommended: 5 mg/m³ - ACGIH TLV (inhalable fraction), 5 mg/m³ - OSHA PEL.

NOTE: Limits/standards shown for guidance only. Follow applicable regulations.

No biological limits allocated.

ENGINEERING CONTROLS

The level of protection and types of controls necessary will vary depending upon potential exposure conditions.

Control measures to consider:
Use explosion-proof ventilation equipment to stay below exposure limits.

PERSONAL PROTECTION

Personal protective equipment selections vary based on potential exposure conditions such as applications, handling practices, concentration and ventilation. Information on the selection of protective equipment for use with this material, as provided below, is based upon intended, normal usage.

Respiratory Protection: If engineering controls do not maintain airborne contaminant concentrations at a level which is adequate to protect worker health, an approved respirator may be appropriate. Respirator selection, use, and maintenance must be in accordance with regulatory requirements, if applicable. Types of respirators to be considered for this material include:

No special requirements under ordinary conditions of use and with adequate ventilation.

For high airborne concentrations, use an approved supplied-air respirator, operated in positive pressure mode. Supplied air respirators with an escape bottle may be appropriate when oxygen levels are inadequate, gas/vapor warning properties are poor, or if air purifying filter capacity/rating may be exceeded.

Hand Protection: Any specific glove information provided is based on published literature and glove manufacturer data. Glove suitability and breakthrough time will differ depending on the specific use conditions. Contact the glove manufacturer for specific advice on glove selection and breakthrough times for your use conditions. Inspect and replace worn or damaged gloves. The types of gloves to be considered for this material include:

If prolonged or repeated contact is likely, chemical resistant gloves are recommended. If contact with forearms is likely, wear gauntlet style gloves.

Eye Protection: If contact is likely, safety glasses with side shields are recommended.

Skin and Body Protection: Any specific clothing information provided is based on published literature or manufacturer data. The types of clothing to be considered for this material include:

If prolonged or repeated contact is likely, chemical, and oil resistant clothing is recommended.

Specific Hygiene Measures: Always observe good personal hygiene measures, such as washing after handling the material and before eating, drinking, and/or smoking. Routinely wash work clothing and protective equipment to remove contaminants. Discard contaminated clothing and footwear that cannot be cleaned. Practice good housekeeping.

ENVIRONMENTAL CONTROLS

Comply with applicable environmental regulations limiting discharge to air, water and soil. Protect the environment by applying appropriate control measures to prevent or limit emissions.

SECTION 9

PHYSICAL AND CHEMICAL PROPERTIES

Note: Physical and chemical properties are provided for safety, health and environmental considerations only and may not fully represent product specifications. Contact the Supplier for additional information.

GENERAL INFORMATION

Physical State: Liquid
Color: Red

Product Name: MOBIL AERO HFA
 Revision Date: 01 Oct 2015
 Page 7 of 12

Odor: Characteristic
Odor Threshold: N/D

IMPORTANT HEALTH, SAFETY, AND ENVIRONMENTAL INFORMATION

Relative Density (at 15 °C): 0.88
Flammability (Solid, Gas): N/A
Flash Point [Method]: >82°C (180°F) [ASTM D-93]
Flammable Limits (Approximate volume % in air): LEL: 0.7 UEL: 7.0 [Estimated]
Autoignition Temperature: >225°C (437°F)
Boiling Point / Range: N/D
Decomposition Temperature: N/D
Vapor Density (Air = 1): N/D
Vapor Pressure: [N/D at 20 °C]
Evaporation Rate (n-butyl acetate = 1): N/D
pH: N/A
Log Pow (n-Octanol/Water Partition Coefficient): N/D
Solubility in Water: Negligible
Viscosity: 13.8 cSt (13.8 mm²/sec) at 40 °C | 5.1 cSt (5.1 mm²/sec) at 100°C [ASTM D 445]
Oxidizing Properties: See Hazards Identification Section.

OTHER INFORMATION

Freezing Point: N/D
Melting Point: N/A
Pour Point: -60°C (-76°F) [ASTM D97]
DMSO Extract (mineral oil only), IP-346: < 3 %wt

SECTION 10 STABILITY AND REACTIVITY

REACTIVITY: See sub-sections below.

STABILITY: Material is stable under normal conditions.

CONDITIONS TO AVOID: Open flames and high energy ignition sources.

MATERIALS TO AVOID: Strong oxidizers

HAZARDOUS DECOMPOSITION PRODUCTS: Material does not decompose at ambient temperatures.

POSSIBILITY OF HAZARDOUS REACTIONS: Hazardous polymerization will not occur.

SECTION 11 TOXICOLOGICAL INFORMATION

INFORMATION ON TOXICOLOGICAL EFFECTS

| Hazard Class | Conclusion / Remarks |
|---|---|
| Inhalation | |
| Acute Toxicity: No end point data for material. | Minimally Toxic. Based on assessment of the components. |
| Irritation: No end point data for material. | Elevated temperatures or mechanical action may form vapors, mist, or fumes which may be irritating to the eyes, nose, throat, or lungs. |

Product Name: MOBIL AERO HFA

Revision Date: 01 Oct 2015

Page 8 of 12

| | |
|--|--|
| Ingestion | |
| Acute Toxicity: No end point data for material. | Minimally Toxic. Based on assessment of the components. |
| Skin | |
| Acute Toxicity: No end point data for material. | Minimally Toxic. Based on assessment of the components. |
| Skin Corrosion/Irritation: No end point data for material. | May dry the skin leading to discomfort and dermatitis. Based on assessment of the components. |
| Eye | |
| Serious Eye Damage/Irritation: No end point data for material. | May cause mild, short-lasting discomfort to eyes. Based on assessment of the components. |
| Sensitization | |
| Respiratory Sensitization: No end point data for material. | Not expected to be a respiratory sensitizer. |
| Skin Sensitization: No end point data for material. | Not expected to be a skin sensitizer. Based on assessment of the components. |
| Aspiration: Data available. | May be fatal if swallowed and enters airways. Based on physico-chemical properties of the material. |
| Germ Cell Mutagenicity: No end point data for material. | Not expected to be a germ cell mutagen. Based on assessment of the components. |
| Carcinogenicity: No end point data for material. | Not expected to cause cancer. Based on assessment of the components. |
| Reproductive Toxicity: No end point data for material. | Not expected to be a reproductive toxicant. Based on assessment of the components. |
| Lactation: No end point data for material. | Not expected to cause harm to breast-fed children. |
| Specific Target Organ Toxicity (STOT) | |
| Single Exposure: No end point data for material. | Not expected to cause organ damage from a single exposure. |
| Repeated Exposure: No end point data for material. | Not expected to cause organ damage from prolonged or repeated exposure. Based on assessment of the components. |

TOXICITY FOR SUBSTANCES

| NAME | ACUTE TOXICITY |
|----------------------------|--------------------------------------|
| 2,6-DI-TERT-BUTYL-P-CRESOL | Oral Lethality: LD50 0.89 g/kg (Rat) |

OTHER INFORMATION

For the product itself:

Repeated and/or prolonged exposure may cause irritation to the skin, eyes, or respiratory tract. Small amounts of liquid aspirated into the lungs during ingestion or from vomiting may cause chemical pneumonitis or pulmonary edema.

Contains:

Base oil severely refined: Not carcinogenic in animal studies. Representative material passes IP-346, Modified Ames test, and/or other screening tests. Dermal and inhalation studies showed minimal effects; lung non-specific infiltration of immune cells, oil deposition and minimal granuloma formation. Not sensitizing in test animals.

The following ingredients are cited on the lists below: None.

--REGULATORY LISTS SEARCHED--

Product Name: MOBIL AERO HFA

Revision Date: 01 Oct 2015

Page 9 of 12

1 = NTP CARC

2 = NTP SUS

3 = IARC 1

4 = IARC 2A

5 = IARC 2B

6 = OSHA CARC

SECTION 12 ECOLOGICAL INFORMATION

The information given is based on data available for the material, the components of the material, and similar materials.

ECOTOXICITY

Material -- Not expected to be harmful to aquatic organisms.

MOBILITY

More volatile component -- Highly volatile, will partition rapidly to air. Not expected to partition to sediment and wastewater solids.

Less volatile component -- Low solubility and floats and is expected to migrate from water to the land. Expected to partition to sediment and wastewater solids.

PERSISTENCE AND DEGRADABILITY

Biodegradation:

Components -- Expected to be inherently biodegradable

BIOACCUMULATION POTENTIAL

Majority of components -- Has the potential to bioaccumulate, however metabolism or physical properties may reduce the bioconcentration or limit bioavailability.

SECTION 13 DISPOSAL CONSIDERATIONS

Disposal recommendations based on material as supplied. Disposal must be in accordance with current applicable laws and regulations, and material characteristics at time of disposal.

DISPOSAL RECOMMENDATIONS

Product is suitable for burning in an enclosed controlled burner for fuel value or disposal by supervised incineration at very high temperatures to prevent formation of undesirable combustion products. Protect the environment. Dispose of used oil at designated sites. Minimize skin contact. Do not mix used oils with solvents, brake fluids or coolants.

REGULATORY DISPOSAL INFORMATION

RCRA Information: The unused product, in our opinion, is not specifically listed by the EPA as a hazardous waste (40 CFR, Part 261D), nor is it formulated to contain materials which are listed as hazardous wastes. It does not exhibit the hazardous characteristics of ignitability, corrosivity or reactivity and is not formulated with contaminants as determined by the Toxicity Characteristic Leaching Procedure (TCLP). However, used product may be regulated.

Empty Container Warning Empty Container Warning (where applicable): Empty containers may contain residue and can be dangerous. Do not attempt to refill or clean containers without proper instructions. Empty drums should be

Product Name: MOBIL AERO HFA
Revision Date: 01 Oct 2015
Page 10 of 12

completely drained and safely stored until appropriately reconditioned or disposed. Empty containers should be taken for recycling, recovery, or disposal through suitably qualified or licensed contractor and in accordance with governmental regulations. DO NOT PRESSURISE, CUT, WELD, BRAZE, SOLDER, DRILL, GRIND, OR EXPOSE SUCH CONTAINERS TO HEAT, FLAME, SPARKS, STATIC ELECTRICITY, OR OTHER SOURCES OF IGNITION. THEY MAY EXPLODE AND CAUSE INJURY OR DEATH.

SECTION 14 TRANSPORT INFORMATION

LAND (DOT)

Proper Shipping Name: COMBUSTIBLE LIQUID, N.O.S. (Distillates (Petroleum), Hydrotreated Light)
Hazard Class & Division: COMBUSTIBLE LIQUID
ID Number: NA1993
Packing Group: III
ERG Number: 128
Label(s): NONE
Transport Document Name: NA1993, COMBUSTIBLE LIQUID, N.O.S. (Distillates (Petroleum), Hydrotreated Light), COMBUSTIBLE LIQUID, PG III

Footnote: This material is not regulated under 49 CFR in a container of 119 gallon capacity or less when transported solely by land, as long as the material is not a hazardous waste, a marine pollutant, or specifically listed as a hazardous substance.

LAND (TDG): Not Regulated for Land Transport

SEA (IMDG): Not Regulated for Sea Transport according to IMDG-Code

Marine Pollutant: No

AIR (IATA): Not Regulated for Air Transport

SECTION 15 REGULATORY INFORMATION

OSHA HAZARD COMMUNICATION STANDARD: This material is considered hazardous in accordance with OSHA HazCom 2012, 29 CFR 1910.1200.

Listed or exempt from listing/notification on the following chemical inventories: AICS, DSL, ENCS, IECSC, KECI, PICCS, TCSI, TSCA

EPCRA SECTION 302: This material contains no extremely hazardous substances.

SARA (311/312) REPORTABLE HAZARD CATEGORIES: Fire. Immediate Health. Delayed Health.

SARA (313) TOXIC RELEASE INVENTORY: This material contains no chemicals subject to the supplier notification requirements of the SARA 313 Toxic Release Program.

Product Name: MOBIL AERO HFA
 Revision Date: 01 Oct 2015
 Page 11 of 12

The following ingredients are cited on the lists below:

| Chemical Name | CAS Number | List Citations |
|--|------------|------------------|
| DISTILLATES (PETROLEUM), HYDROTREATED LIGHT | 64742-47-8 | 1, 17, 18 |
| HYDROTREATED LIGHT NAPHTHENIC DISTILLATE (PETROLEUM) | 64742-53-6 | 1, 4, 13, 17, 18 |
| HYDROTREATED MIDDLE DISTILLATE (PETROLEUM) | 64742-46-7 | 1, 4, 17, 18 |

--REGULATORY LISTS SEARCHED--

| | | | |
|---------------|------------------|-------------------|-------------|
| 1 = ACGIH ALL | 6 = TSCA 5a2 | 11 = CA P65 REPRO | 16 = MN RTK |
| 2 = ACGIH A1 | 7 = TSCA 5e | 12 = CA RTK | 17 = NJ RTK |
| 3 = ACGIH A2 | 8 = TSCA 6 | 13 = IL RTK | 18 = PA RTK |
| 4 = OSHA Z | 9 = TSCA 12b | 14 = LA RTK | 19 = RI RTK |
| 5 = TSCA 4 | 10 = CA P65 CARC | 15 = MI 293 | |

Code key: CARC=Carcinogen; REPRO=Reproductive

| | |
|-------------------|--------------------------|
| SECTION 16 | OTHER INFORMATION |
|-------------------|--------------------------|

N/D = Not determined, N/A = Not applicable

KEY TO THE H-CODES CONTAINED IN SECTION 3 OF THIS DOCUMENT (for information only):

H227: Combustible liquid; Flammable Liquid, Cat 4
 H304: May be fatal if swallowed and enters airways; Aspiration, Cat 1
 H400: Very toxic to aquatic life; Acute Env Tox, Cat 1
 H410: Very toxic to aquatic life with long lasting effects; Chronic Env Tox, Cat 1

THIS SAFETY DATA SHEET CONTAINS THE FOLLOWING REVISIONS:

Revision Changes:
 Section 01: Company Mailing Address information was modified.
 Section 05: Hazardous Combustion Products information was modified.
 Section 15: List Citations Table information was modified.
 Section 15: National Chemical Inventory Listing information was modified.
 Section 14: Marine Pollutant information was modified.
 Composition: Component Table information was modified.
 Section 08: Exposure Limits Table information was modified.
 Section 16: Revision Information - Implementation of GHS requirements phrase. information was deleted.

The information and recommendations contained herein are, to the best of ExxonMobil's knowledge and belief, accurate and reliable as of the date issued. You can contact ExxonMobil to insure that this document is the most current available from ExxonMobil. The information and recommendations are offered for the user's consideration and examination. It is the user's responsibility to satisfy itself that the product is suitable for the intended use. If buyer repackages this product, it is the user's responsibility to insure proper health, safety and other necessary information is included with and/or on the container. Appropriate warnings and safe-handling procedures should be provided to handlers and users. Alteration of this document is strictly prohibited. Except to the extent required by law,



Product Name: MOBIL AERO HFA

Revision Date: 01 Oct 2015

Page 12 of 12

re-publication or retransmission of this document, in whole or in part, is not permitted. The term, "ExxonMobil" is used for convenience, and may include any one or more of ExxonMobil Chemical Company, Exxon Mobil Corporation, or any affiliates in which they directly or indirectly hold any interest.

Internal Use Only

MHC: 2A, 0, 0, 0, 1, 1

PPEC: C

DGN: 2005454XUS (552975)

Copyright 2002 Exxon Mobil Corporation, All rights reserved



APPENDIX VI

Maintenance Schedule

Multi-Stage Tripod Jacks

Tronair recommends performing preventative maintenance on all jacks, which should include a 90-day routine inspection and a 12-month load test.

Model Number _____ Serial Number _____

Maintenance Performed By _____ Date _____

90-Day Maintenance:

- Check hydraulic system for leaks including the following:
 - Hydraulic lines; hoses and fittings
 - Hand pump; cylinder, fittings and seals
 - Reservoir; welds and fittings
 - Air operated pump (optional equipment); fittings, air side and oil side seals
- Check jack structure for corrosion, bending, cracking and excessive wear including the following:
 - Ball lock pins
 - Mechanical extension
 - Welded joints; tripod legs, cylinder and foot pads
 - Ram retaining rings
 - Ram lock nuts; gouge marks and cracks in threads
 - Jack pads
- Check fluid level with rams fully retracted. See manual or reservoir tag for proper level height
- Extend rams and visually inspect for corrosion, foreign matter, excessive wear and leaks around ram seals. Remove any foreign matter
- Check air operated pump if equipped (reference air operated pump service manual).
- Check paint condition, touch-up areas that are exposed
- Actuate the hand pump and raise the ram to full extension at least once with a minimum weight of 50 lbs applied.
Do not pressurize hydraulic system once fully extended
Do not allow jack to miss-stage when raising the rams to full extension
- Extend rams and visually inspect for corrosion, foreign matter, excessive wear and leaks around ram seals. Remove any foreign matter
- Apply DoAll, RPM, LPS or equivalent water repellant that is Buna N compatible to the rams
- Open release valve and verify that rams fully retract
- Lubricate casters (if applicable)

Annual (12-Month) Maintenance:

- Check hydraulic fluid for contamination (dirt/water) drain and flush if required
- Perform 90-day maintenance checklist
- Capacity test (105% - 110% of jack's rated capacity)

NOTE: The jack may be returned to Tronair for load testing, or sent to a local hydraulic repair shop. Please contact Tronair to obtain a "Return Material Authorization Number" (RMA #) before sending any product to Tronair.

the Tronair group of companies:

www.tronair.com | www.columbusjack.com | www.daeind.com | www.datcomedia.com | www.eagletugs.com | www.malabar.com