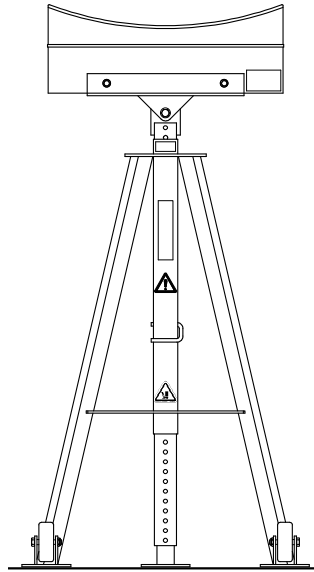




## Operation & Service Manual



**Model: 03-5800C0010  
Tailstand**



08/2010 – Rev. 01

**Includes Illustrated Parts Lists**

REVISION  
01

DATE  
08/2010

TEXT AFFECTED  
Original Release

**TABLE OF CONTENTS**

**PAGE**

<b>1.0</b>	<b>PRODUCT INFORMATION</b> .....	<b>1</b>
<b>2.0</b>	<b>SAFETY INFORMATION</b> .....	<b>1</b>
2.1	ALARM and WARNING SYSTEMS.....	1
2.2	WARNING and DANGER SIGNS.....	1
2.3	COMPONENT SAFETY FEATURE .....	1
2.4	FUNCTIONAL SAFETY FEATURES .....	1
2.5	FEATURES FOR OPERATOR SAFETY.....	1
2.6	ENVIRONMENTAL SAFETY FEATURES .....	1
2.7	PROTECTION SYSTEMS.....	1
2.8	CLOSED CIRCUITS.....	1
2.9	INTERLOCKING .....	1
2.10	NECESSARY PERSONAL PROTECTIVE EQUIPMENT.....	1
2.11	SAFETY GUIDELINES.....	1
2.12	CONDITIONS FOR SAFE USE .....	1
2.13	OPERATOR QUALIFICATIONS .....	2
2.14	ADDITIONAL SAFETY MEASURES.....	2
<b>3.0</b>	<b>PACKAGING AND STORAGE</b> .....	<b>2</b>
3.1	PACKAGING REQUIREMENTS .....	2
3.2	HANDLING.....	2
3.3	STRAPPING .....	2
3.4	PACKAGING PROTECTION .....	2
3.5	LABELING OF PACKAGING .....	2
3.6	STORAGE COMPATIBILITY .....	2
3.7	STORAGE ENVIRONMENT .....	2
3.8	STORAGE SPACE AND HANDLING FACILITIES.....	2
<b>4.0</b>	<b>TRANSPORTATION</b> .....	<b>2</b>
<b>5.0</b>	<b>ASSEMBLY</b> .....	<b>2</b>
5.1	GENERAL INSTRUCTIONS .....	2
5.2	PRE-USE CHECKS .....	2
5.3	PERSONNEL REQUIREMENTS .....	2
5.4	ASSEMBLY STEPS .....	3
5.5	INSPECTION AND TEST PROCEDURES .....	3
<b>6.0</b>	<b>INSTALLATION</b> .....	<b>3</b>
<b>7.0</b>	<b>OPERATION</b> .....	<b>3</b>
7.1	OPERATING PARAMETERS .....	3
7.2	NUMERICAL VALUES .....	3
7.3	OPERATOR CONTROLS .....	3
7.4	OPERATING INSTRUCTIONS .....	3
<b>8.0</b>	<b>TRAINING</b> .....	<b>4</b>
<b>9.0</b>	<b>MAINTENANCE</b> .....	<b>4</b>
9.1	MAINTENANCE SCHEDULE.....	4
9.2	JACK FUNCTION LOAD TEST.....	4
<b>10.0</b>	<b>TROUBLE SHOOTING</b> .....	<b>4</b>
<b>11.0</b>	<b>PROVISION OF SPARES</b> .....	<b>4</b>
11.2	PARTS LIST.....	4
<b>12.0</b>	<b>IN-SERVICE SUPPORT</b> .....	<b>4</b>
<b>13.0</b>	<b>GUARANTEES/LIMITATION OF LIABILITY</b> .....	<b>5</b>
<b>14.0</b>	<b>APPENDICES</b> .....	<b>5</b>

APPENDIX I Declaration of Conformity

This product can not be modified without the written approval of Tronair, Inc. Any modifications done without written approval voids all warranties and releases Tronair, Inc., its suppliers, distributors, employees, or financial institutions from any liability from consequences that may occur. Only Tronair OEM replacement parts shall be used.

## 1.0 PRODUCT INFORMATION

NAME OF EQUIPMENT: Tailstand, 1,000 lbs Capacity, CE compliant  
MODEL NUMBER: 03-5800C0010 See Nameplate for Serial Number  
MANUFACTURED BY: **TRONAIR**, Inc. 1740 Eber Rd., Holland, OH 43528-9794 USA  
USAGE: The device is intended to stabilize an aircraft by its fuselage during maintenance, whose maximum load does not exceed the rated capacity of the tailstand  
LIST OF DRAWINGS: Reference Parts List and Illustrations

## 2.0 SAFETY INFORMATION

### 2.1 ALARM and WARNING SYSTEMS

None

### 2.2 WARNING and DANGER SIGNS

See labels on unit

### 2.3 COMPONENT SAFETY FEATURE

**Extension Lock Pin** provides a visual check that the pin is fully inserted to meet the rated load capacity of the tailstand.

### 2.4 FUNCTIONAL SAFETY FEATURES

None

### 2.5 FEATURES FOR OPERATOR SAFETY

Cautions and Instruction Labels located on tailstand

### 2.6 ENVIRONMENTAL SAFETY FEATURES

Tailstand is non-polluting

### 2.7 PROTECTION SYSTEMS

None

### 2.8 CLOSED CIRCUITS

None

### 2.9 INTERLOCKING

None

### 2.10 NECESSARY PERSONAL PROTECTIVE EQUIPMENT



**CAUTION!**  
Always wear safety glasses.

### 2.11 SAFETY GUIDELINES



#### **CAUTION!**

- DO NOT** place hands on top of tailstand near base tube receiver while lowering tailstand extension. Pinch point exists between top of tube and bracket on extension.
- DO NOT** place feet under tailstand near base tube receiver while lowering tailstand extension. Pinch point exists between ground and extension tube.
- ALWAYS** install tailstand **AFTER** aircraft has been jacked to working position.
- Never** put hands between aircraft and tailstand cradle.
- ALWAYS** be sure tailstand extension lock pin is fully inserted and seated around tubing.
- NEVER** load tailstand by lowering jacks. **ALWAYS** lower tailstand and remove same **BEFORE** lowering aircraft.

### 2.12 CONDITIONS FOR SAFE USE

- Use in a clean dry environment on a hard level surface.
- Operate between -20° C and 50°C/-4° F and 122° F.

**2.0 SAFETY INFORMATION** *(continued)***2.13 OPERATOR QUALIFICATIONS**

This tailstand is intended to be used by a skilled and trained aircraft technician. The operator must be familiar with the jacking procedures for the aircraft to be raised, and the operation of the tailstand.

**Installation/Maintenance/Dismantling Qualifications:** This tailstand is to be installed, maintained, and dismantled by qualified technicians familiar with aircraft maintenance systems.

**2.14 ADDITIONAL SAFETY MEASURES**

This tailstand must be used in accordance with this Technical manual, and in accordance with the aircraft manufacturer's jacking and stabilizing procedures.

**3.0 PACKAGING AND STORAGE****3.1 PACKAGING REQUIREMENTS**

Tailstand is to be packaged as required to prevent damage to legs or cradle equipment during shipment.

**3.2 HANDLING**

Tailstand can be rolled by hand on its casters.

**3.3 STRAPPING**

Tailstand can be strapped down by suitable means to prevent unwanted movement during shipment.

**3.4 PACKAGING PROTECTION**

No special packaging material for cushioning or suspension is required.

**3.5 LABELING OF PACKAGING**

Packaging should be labeled DO NOT DROP.

**3.6 STORAGE COMPATIBILITY**

No special considerations.

**3.7 STORAGE ENVIRONMENT**

- Store tailstand between -20° C and +50° C/-4° F and 122° F
- Always store tailstand with extension all the way down
- Suitable for outdoor storage by using a full coverage waterproof tarp or canvas

**3.8 STORAGE SPACE AND HANDLING FACILITIES**

- Minimum Closed Height: 55¼ in (140.34 cm)
- Mechanical Extension: 23 in (58.42 cm)
- Maximum Height Obtainable: 78¼ in (198.76 cm)
- Weight: 80 lbs (36 kg)

**4.0 TRANSPORTATION**

Lifting can be accomplished by crane and strap through top of tripod, or by fork truck under lower tripod support. Approximate weight 80 lbs (36 kg).

**5.0 ASSEMBLY****5.1 GENERAL INSTRUCTIONS**

1. This product should be assembled and/or repaired using good workmanship practices and proper tools. Bolts and elastic stopnuts should be tightened to a torque not to exceed industry standards for Grade '5' bolts.
2. All replacement parts must be the same as or better than the original parts supplied.
3. No modifications are allowed as they may adversely affect the tailstand's safety performance.

**5.2 PRE-USE CHECKS**

1. Refer to the Illustrated Parts List identify and ensure that all parts are present.
2. Generally check over unit to assure the tightness of all nuts and bolts.

**5.3 PERSONNEL REQUIREMENTS**

This jack is to be assembled by qualified technicians familiar with aircraft maintenance systems.

*5.0 Assembly continued on following page.*

## 5.0 ASSEMBLY (continued)

### 5.4 ASSEMBLY STEPS

Fasten cradle assembly to extension tube with one (1) ½ - 20 x 2 ¼" long hex head bolt, two (2) ½" flatwashers, and one (1) ½ - 20 elastic stopnut.

### 5.5 INSPECTION AND TEST PROCEDURES

1. When functional tests are required, it is recommended that the tailstand be tested at 110% of the rated capacity.
2. After testing, visually inspect all welds, cradle, lock pin, and lock pin holes in the base and extension tubing for defects. If defects are found, remove tailstand from active service until repairs are made.

## 6.0 INSTALLATION

None

## 7.0 OPERATION

### 7.1 OPERATING PARAMETERS

1. The user shall work in accordance with this Operator and Service
2. The employer of the operator shall provide all necessary training
3. Operate between -20° C and 50° C/-4° F and 122° F

### 7.2 NUMERICAL VALUES

- Rated Capacity: 1,000 lbs (454 kg)
- Minimum Closed Height: 55¼ in (140.34 cm)
- Mechanical Extension: 23 in (58.42 cm)
- Maximum Height Obtainable: 78¾ in (198.76 cm)
- Weight: 80 lbs (36 kg)

### 7.3 OPERATOR CONTROLS

None

### 7.4 OPERATING INSTRUCTIONS

The user should be familiar with the following statements prior to using the tailstand:

#### CAUTION!



1. **DO NOT** place hands on top of tailstand near base tube receiver while lowering tailstand extension. Pinch point exists between top of tube and bracket on extension.
2. **DO NOT** place feet under tailstand near base tube receiver while lowering tailstand extension. Pinch point exists between ground and extension tube.
3. **ALWAYS** install tailstand **AFTER** aircraft has been jacked to working position.
4. **NEVER** put hands between aircraft and tailstand cradle.
5. **ALWAYS** be sure tailstand extension locking pin is fully inserted and seated around tubing.
6. **NEVER** load tailstand by lowering jacks. **ALWAYS** lower tailstand and remove **BEFORE** lowering aircraft.

#### 7.4.1 Rules For Operating

1. The user shall work in accordance with this Operator and Service Manual
2. The employer of the operator shall provide all necessary training
3. Operate between -20° C and 50° C/-4° F and 122° F

#### 7.4.2 Tailstand Instructions

##### To Raise Aircraft:

1. Jack aircraft to desired height.
2. Place tailstand on a hard, level surface.
3. Position tailstand at aircraft manufacturer's recommended location.
4. Raise tailstand extension padded cradle as close to aircraft as possible.
5. Install tailstand extension locking pin and seat around tubing.

##### To Lower Aircraft:

1. Clear all personnel from inside and under aircraft.
2. Remove tailstand extension locking pin and lower extension.
3. Relocate tailstand away from aircraft and secure.
4. Lower aircraft to the ground.

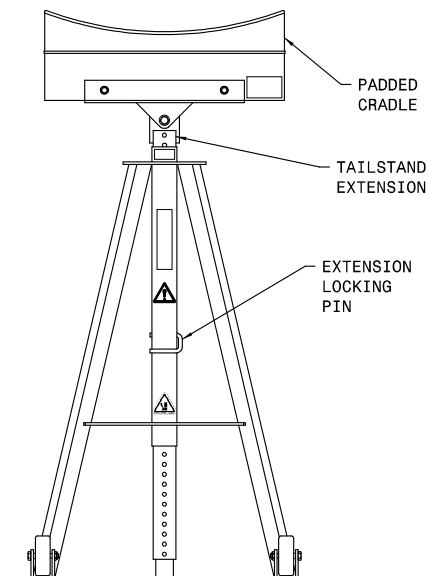


FIGURE 1

## 7.4.2 Tailstand Instructions (continued)

### CAUTION!



1. **DO NOT** place hands on top of tailstand near base tube receiver while lowering tailstand extension. Pinch point exists between top of tube and bracket on extension.
2. **DO NOT** place feet under tailstand near base tube receiver while lowering tailstand extension. Pinch point exists between ground and extension tube.
3. **ALWAYS** wear safety glasses.

## 8.0 TRAINING

Training of operating personnel is the responsibility of the employer. This tailstand must be used in accordance with aircraft manufacturer's instructions.

## 9.0 MAINTENANCE

### GENERAL

- All maintenance and/or repair work should be done using good workmanship practices and proper tools
- Tailstand shall be maintained and repaired in accordance with the manufacturer's instructions. Such maintenance and repair shall be carried out by qualified persons
- No modifications shall be carried out as they may adversely affect the compliance of the tailstand with draft standard 2006/42/EC

### 9.1 MAINTENANCE SCHEDULE

Cradle..... Annually or as Needed  
Lubricate Casters ..... 3 Months  
Cleaning..... Annually or as Needed

**NOTE: Wipe with soft cloth only, do not pressure wash or spray water directly at cradle.**

### 9.2 JACK FUNCTION LOAD TEST

**NOTE: If function load testing is required:**

- Take all necessary precautions to prevent injury.
- Do not exceed a test load equal to 110% of the tailstand rated capacity.

## 10.0 TROUBLE SHOOTING

None.

## 11.0 PROVISION OF SPARES

Recommended Spares to be kept on hand:  
G-1311-02 ..... Pin, Leg Lock

Spare parts may be obtained from the manufacturer:

<b>TRONAIR, Inc.</b>	Telephone:	(419) 866-6301 or 800-426-6301
1740 Eber Road	Fax:	(419) 867-0634
Holland, Ohio 43528-9794 USA	E-mail:	sales@tronair.com
	Website:	www.tronair.com

### 11.2 PARTS LIST

Reference Page 6 for ordering information of Replacement Parts and Kits.

When ordering Replacement Parts/Kits, please specify Model & Serial Number of your product.

## 12.0 IN-SERVICE SUPPORT

Contact Tronair for technical services and information.

### 13.0 GUARANTEES/LIMITATION OF LIABILITY

Tronair products are warranted to be free of manufacturing or material defects for a period of one year after shipment to the original customer. This is solely limited to the repair or replacement of defective components. This warranty does not cover the following items:

- a) Parts required for normal maintenance
- b) Parts covered by a component manufacturers warranty
- c) Replacement parts have a 90-day warranty from date of shipment

If you have a problem that may require service, contact Tronair immediately. Do not attempt to repair or disassemble a product without first contacting Tronair, any action may affect warranty coverage. When you contact Tronair be prepared to provide the following information:

- a) Product Model Number
- b) Product Serial Number
- c) Description of the problem

If warranty coverage is approved, either replacement parts will be sent or the product will have to be returned to Tronair for repairs. If the product is to be returned, a Return Material Authorization (RMA) number will be issued for reference purposes on any shipping documents. Failure to obtain a RMA in advance of returning an item will result in a service fee. A decision on the extent of warranty coverage on returned products is reserved pending inspection at Tronair. Any shipments to Tronair must be shipped freight prepaid. Freight costs on shipments to customers will be paid by Tronair on any warranty claims only. Any unauthorized modification of the Tronair products or use of the Tronair products in violation of cautions and warnings in any manual (including updates) or safety bulletins published or delivered by Tronair will immediately void any warranty, express or implied.

The obligations of Tronair expressly stated herein are in lieu of all other warranties or conditions expressed or implied. **Any unauthorized modification of the Tronair products or use of the Tronair products in violations of cautions and warnings in any manual (including updates) or safety bulletins published or delivered by Tronair will immediately void any warranty, express or implied and Tronair disclaims any and all liability for injury (WITHOUT LIMITATION and including DEATH), loss or damage arising from or relating to such misuse.**

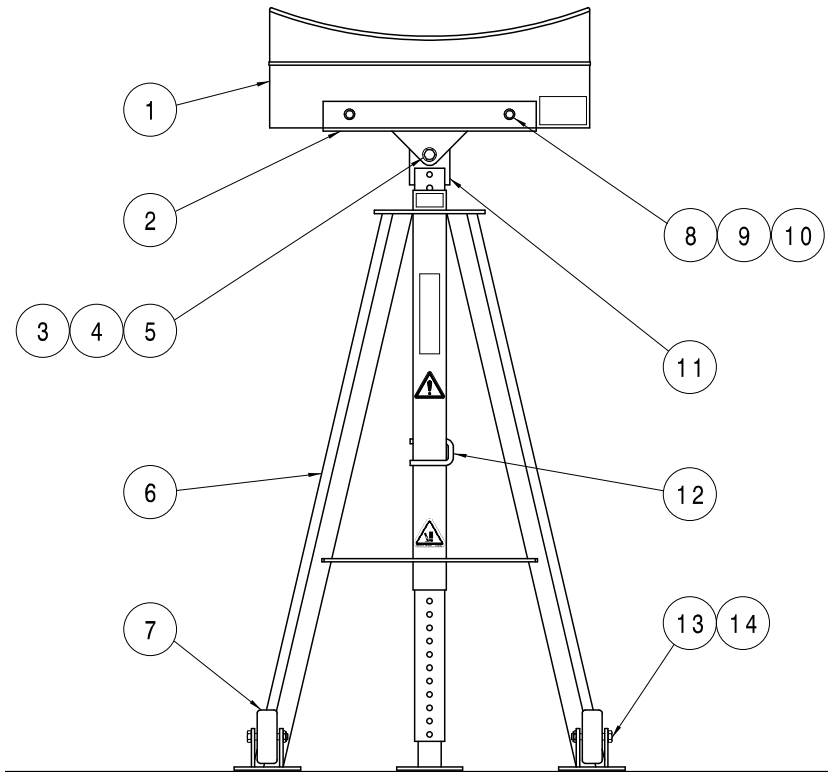
### 14.0 APPENDICES

APPENDIX I Declaration of Conformity



## Parts List

When ordering replacement parts/kits, please specify model, serial number and color of your unit.



Item	Part Number	Description	Qty
1	Reference K-3782 Cradle Assembly Kit		
2	Z-1115-01	Weldment, Cradle Support	1
3	G-1100-109522	Bolt, Hex Head, Grade 5, ½-20 x 2¼" long	1
4	G-1202-1095	Stopnut, ½-20 Elastic	1
5	G-1250-1090N	Flatwasher, ½ Narrow	2
6	Reference only, Tripod Weldment, not sold separately		
7	U-1002	Wheel	2
11	Reference K-3784 Center Extension Weldment Kit	1	11
12	G-1311-02	Pin, Leg Lock	1
13	G-1100-109526	Bolt, HexHead Grade 5, ½-20 x 2¾" long	2
14	G-1203-1095	Jamnut, 1/2-20 Elastic	2
	K-3782	Kit, Cradle Assembly Replacement; <b>consists of:</b>	
1	Z-1124	Assembly, Cradle with Label	1
8	G-1202-1075	Stopnut, 3/8-24 Elastic	2
9	G-1250-1070N	Flatwasher, 3/8 Narrow	4
10	G-1100-107534	Bolt, HexHead Grade 5, 3/8-24 x 3 ½" long	2
	K-3784	Kit, Center Extension Replacement; <b>consists of:</b>	
11	Z-2646-01	Weldment, Center Extension	1





**APPENDIX I**

**Declaration  
of  
Conformity**





## DECLARATION of CONFORMITY

The design, development and manufacture is in accordance with European Community guidelines

TELESCOPING TAILSTAND (TRIPOD)  
03-5800C0010

Relevant provisions complied with by the machinery:  
2006/42/EC

Relevant standards complied with by the machinery:  
EN ISO 12100-1

Identification of person empowered to sign on behalf of the manufacturer:

A handwritten signature in black ink that reads "David L. Kidd". The signature is written in a cursive style and is positioned above a horizontal line.

Quality Assurance Representative