



Operation & Service Manual

**Model: 03-5805-0000
Saab 340
Tailstand**

**With Illustrated
Parts List**

10/1999 – Rev. 01

Includes Illustrated Parts Lists

Model: 03-5805-0000
Saab 340 Tailstand

TABLE OF CONTENTS

PAGE

1.0	Description	1
2.0	Usage.....	1
3.0	Assembly Instructions	1
3.1	General Information	1
3.2	Pre-Use Checks.....	1
3.3	Assembly Steps.....	1
4.0	Parts List	1

**Model: 03-5805-0000
Saab 340 Tailstand**

This product can not be modified without the written approval of Tronair, Inc. Any modifications done without written approval voids all warranties and releases Tronair, Inc., its suppliers, distributors, employees, or financial institutions from any liability from consequences that may occur. Only Tronair OEM replacement parts shall be used.

1.0 DESCRIPTION

This Tronair Tailstand incorporates the following quality features:

- Steel construction
- Easily maneuverable
- Vertically adjustable to within plus or minus one-quarter inch (¼")
- May be disassembled for easy replacement of parts or shipment.

2.0 USAGE

The purpose of this Tailstand is to support aircraft fuselage during maintenance.

3.0 ASSEMBLY INSTRUCTIONS

3.1 GENERAL INFORMATION

This product should be assembled and/or repaired using good workmanship practices and proper tools. Bolts and elastic stopnuts should be tightened to a torque not to exceed industry standards for Grade '5' bolts. The 3/8-24 bolts should be tightened to 35 ft-lbs and ½-20 bolts tightened to 85 ft-lbs.

All replacement parts must be the same as or equal to the original parts supplied.

3.2 PRE-USE CHECKS

Refer to the Tailstand illustrated parts breakdown to identify and assure all parts are present.

- Generally check over unit to assure the tightness of all nuts, bolts and screws with extension collapsed.
- Assure safety chain is attached to all three legs with no more than one-half inch (½") slack. (Pertains to Models: 03-5806-0000 & 03-5808-0000 only.)

3.3 ASSEMBLY STEPS

Fasten cradle assembly to extension tube with one (1) ½-20 x 2¾" long hex head bolt, one-half (½") flat washers, and ½-20 elastic stopnuts.

CAUTION



Safety chain must be installed to legs to prevent tailstand collapse and prevent aircraft damage and operator injury

4.0 PARTS LIST

Reference following pages for ordering information of Replacement Parts and Kits.

TRONAIR

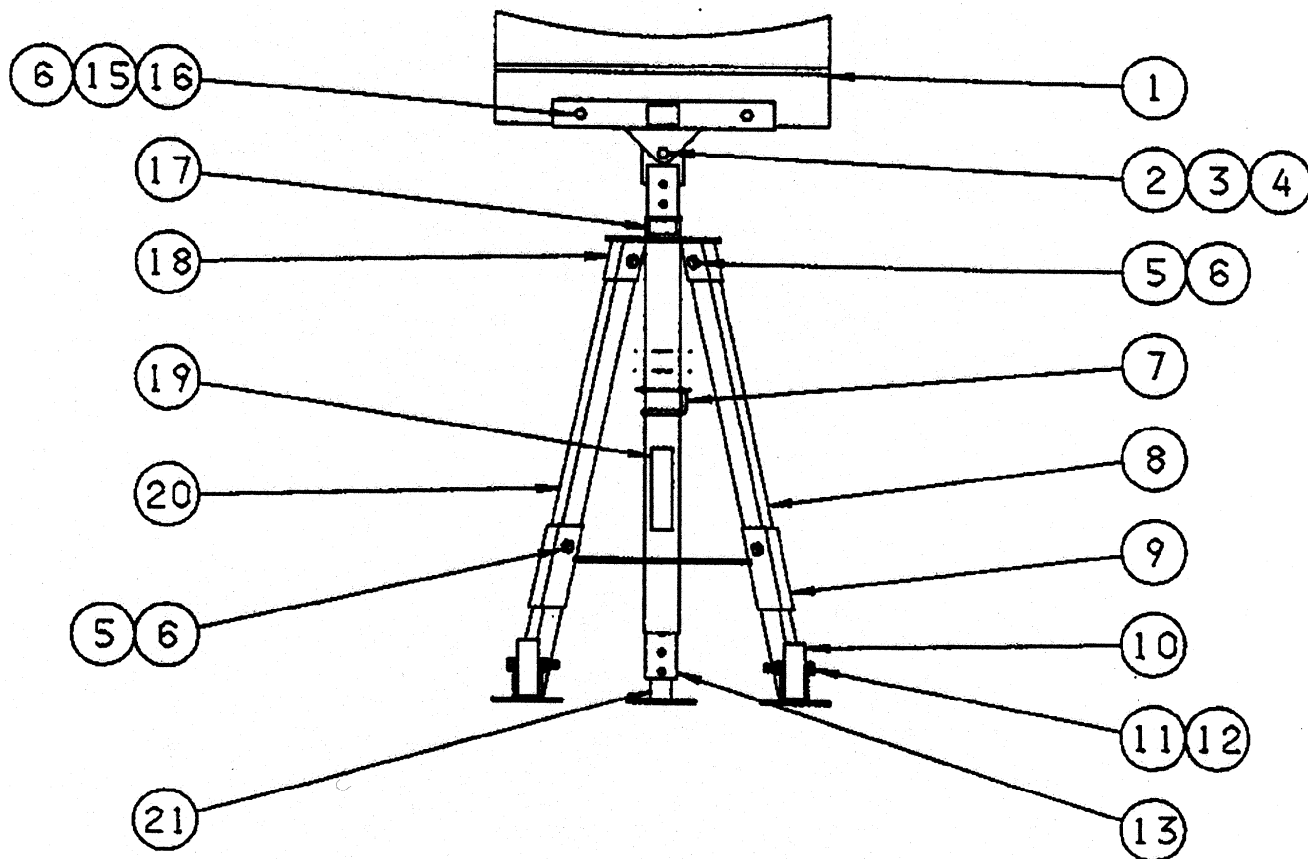
10/1999 – Rev. 01

- 1 -

Model: 03-5805-0000
Saab 340 Tailstand

Parts List

When ordering replacement parts/kits, please specify model, serial number and color of your unit.



ITEM	PART NUMBER	DESCRIPTION	QTY
2.....	G-1100-109522	Bolt, Hex Head, Grade 5, 1/2-20 x 2 1/4" long	1
3.....	G-1202-1095	Stopnut, 1/2-20 Elastic	1
4.....	G-1250-1090N	Flatwasher 1/2 Narrow	2
5.....	G-1100-107522	Bolt, Hex Head, Grade 5, 3/8-24 x 2 1/4" long	6
6.....	G-1202-1075	Stopnut, 3/8-24 Elastic	8
7.....	G-1311-02	Pin, Leg Lock	1
11.....	G-1100-109526	Bolt, Hex Head, Grade 5, 1/2-20 x 2 3/4" long	2
12.....	G-1203-1095	Jamnut, 1/2-20 Elastic	2
15.....	G-1250-1070N	Flatwasher, 3/8 Narrow	4
16.....	G-1100-107534	Bolt, Hex Head, Grade 5, 3/8-24 x 3 1/2" long	2
	K-1165	Kit, Wheel (Set) Replacement; consists of:	
10.....	U-1002	Wheel	2
11.....	G-1100-109526	Bolt, Hex Head, Grade 5, 1/2-20 x 2 3/4" long	2
12.....	G-1203-1095	Jamnut, 1/2-20 Elastic	2
	K-1177	Kit, Top Plate Weldment Replacement; consists of:	
5.....	G-1100-107522	Bolt, Hex Head, Grade 5, 3/8-24 x 2 1/4" long	3
6.....	G-1202-1075	Stopnut, 3/8-24 Elastic	3
17.....	V-1001	Label, "Made In USA"	1
18.....	Z-1122-01	Weldment, Top Plate	1
19.....	V-1198-02	Label, "Tronair"	1

TRONAIR

10/1999 - Rev. 01

Model: 03-5805-0000
Saab 340 Tailstand

Parts List

When ordering replacement parts/kits, please specify model, serial number and color of your unit.

ITEM	PART NUMBER	DESCRIPTION	QTY
K-1800			
Kit, Bottom Plate Weldment Replacement; consists of:			
5.....	G-1100-107522	Bolt, Hex Head, Grade 5, 3/8-24 x 2 1/4" long	3
6.....	G-1202-1075	Stopnut, 3/8-24 Elastic	3
9.....	Z-1123-01	Weldment, Bottom Plate.....	1
K-1860			
Kit, Cradle Assembly Replacement; consists of:			
1.....	Z-1415	Assembly, Cradle	1
6.....	G-1202-1075	Stopnut, 3/8-24 Elastic	2
15.....	G-1250-1070N.....	Flatwasher 3/8 Narrow	4
16.....	G-1100-107534	Bolt, Hex Head, Grade 5, 3/8-24 x 3 1/2" long	2
Reference.....	Z-1115	Weldment, Cradle Support.....	1
K-1861			
Kit, Center Extension Replacement; consists of:			
2.....	G-1100-109522	Bolt, Hex Head, Grade 5, 1/2-20 x 2 1/4" long	1
3.....	G-1202-1095	Stopnut, 1/2-20 Elastic	1
4.....	G-1250-1090N.....	Flatwasher 1/2 Narrow	1
13.....	Z-1117-01	Weldment, Center Extension.....	1
K-1862			
Kit, Leg with Wheel Bracket Replacement; consists of:			
5.....	G-1100-107522	Bolt, Hex Head, Grade 5, 3/8-24 x 2 1/4" long	2
6.....	G-1202-1075	Stopnut, 3/8-24 Elastic	1
20.....	Z-1414-02.....	Weldment, Leg	1
K-1863			
Kit, Leg with Wheel Bracket Replacement; consists of:			
5.....	G-1100-107522	Bolt, Hex Head, Grade 5, 3/8-24 x 2 1/4" long	2
6.....	G-1202-1075	Stopnut, 3/8-24 Elastic	2
8.....	Z-1414-03.....	Weldment, Leg	1
K-1864			
Kit, Leg Replacement; consists of:			
5.....	G-1100-107522	Bolt, Hex Head, Grade 5, 3/8-24 x 2 1/4" long	2
6.....	G-1202-1075	Stopnut, 3/8-24 Elastic	2
21.....	Z-141-01	Weldment, Leg	1

TRONAIR

10/1999 – Rev. 01