

**Model: 04-6005-1100
Maintenance Stand**

06/2024 – Rev. 03

**For Spare Parts, Operations & Service Manuals or Service Needs
Scan the QR code or visit [Tronair.com/aftermarket](https://www.tronair.com/aftermarket)**



The Tronair Group of Companies: Tronair | EBIS | Columbus Jack | Eagle | DAE | Malabar International

Tronair, Inc.
1 Air Cargo Pkwy East
Swanton, OH 43558

Phone: (419) 866-6301 | 800-426-6301
Web: www.tronair.com
Email: sales@tronair.com

REVISION	DATE	TEXT AFFECTED
01	10/2008	Original Release
02	10/2010	Major Revision
03	06/2024	Major Revision

TABLE OF CONTENTS

PAGE

1.0	PRODUCT INFORMATION	1
1.1	DESCRIPTION.....	1
1.2	MODEL & SERIAL NUMBER.....	1
1.3	MANUFACTURER	1
2.0	SAFETY INFORMATION.....	1
2.1	USAGE AND SAFETY INFORMATION	1
3.0	TRAINING	1
3.1	TRAINING REQUIREMENTS	1
3.2	TRAINING PROGRAM	1
3.3	OPERATOR TRAINING.....	1
4.0	PREPARATION FOR USE	1
5.0	OPERATING INSTRUCTIONS	2
5.1	RAISING THE MAINTENANCE STAND	2
5.2	LOWERING THE MAINTENANCE STAND	2
5.3	TOWING THE MAINTENANCE STAND	2
6.0	MAINTENANCE.....	2
6.1	MAINTENANCE SCHEDULE.....	2
6.2	LOAD TESTING.....	2
7.0	PROVISION OF SPARES.....	3
7.1	SOURCE OF SPARE PARTS.....	3
7.2	RECOMMENDED SPARE PARTS LISTS	3
8.0	GUARANTEES/LIMITATION OF LIABILITY	3

This product can not be modified without the written approval of Tronair, Inc. Any modifications done without written approval voids all warranties and releases Tronair, Inc., its suppliers, distributors, employees, or financial institutions from any liability from consequences that may occur. Only Tronair OEM replacement parts shall be used.

1.0 PRODUCT INFORMATION

1.1 DESCRIPTION

This manual contains instructions for operating and maintaining the 04-6005-1100 Maintenance Stand.

Capacity 500 lbs (227 kg)

1.2 MODEL & SERIAL NUMBER

Reference nameplate on unit

1.3 MANUFACTURER

TRONAIR, Inc.
1 Air Cargo Pkwy East
Swanton, Ohio 43558 USA

Telephone: (419) 866-6301 or 800-426-6301
Fax: (419) 867-0634
E-mail: sales@tronair.com
Website: www.tronair.com

2.0 SAFETY INFORMATION

2.1 USAGE AND SAFETY INFORMATION

To ensure safe operations please read the following statements and understand their meaning. Also refer to your equipment manufacturer's manual for other important safety information. This manual contains safety precautions which are explained below. Please read carefully.



WARNING!

Warning is used to indicate the presence of a hazard that can cause **severe personal injury, death, and/or substantial property damage** if the Warning Notice is ignored.



CAUTION!

Caution is used to indicate the presence of a hazard, which will or can cause **minor personal injury or property damage** if the Caution Notice is ignored.

3.0 TRAINING

3.1 TRAINING REQUIREMENTS

The employer of the operator is responsible for providing a training program sufficient for the safe operation of the unit.

3.2 TRAINING PROGRAM

The employer provided operator training program should cover safety procedures concerning use of the unit in and around the intended aircraft at the intended aircraft servicing location.

3.3 OPERATOR TRAINING

The operator training should provide the required training for safe operation of the unit.

NOTE: Maintenance and Trouble Shooting are to be performed by a skilled and trained technician.

4.0 PREPARATION FOR USE

The maintenance stand has been lubricated and adjusted at the factory and no additional preparation is required. A general inspection should be made to determine if any damage was sustained in transit. If any damage was sustained the transportation company should be notified immediately.

5.0 OPERATING INSTRUCTIONS

To properly operate this stand, it is mandatory that the operating procedures listed below be read thoroughly and followed.

5.1 RAISING THE MAINTENANCE STAND

1. Close the needle valve
2. Operate hydraulic pump until platform is at desired working height
3. Insert the safety lock pin thru the cylinder rod and open needle valve until the pin rests against the cylinder
4. Close the needle valve
5. Move stand to desired position and lock rear casters brakes and lower stabilizer jacks



CAUTION!

Always lower the stabilizer jacks after positioning stand. Always insert the safety lock pin through the cylinder rod after raising the platform. Always lock casters after positioning stand

5.2 LOWERING THE MAINTENANCE STAND

1. Raise the stabilizer jacks and unlock the rear caster brakes
2. Pull the stand away from the working position
3. Raise stand slightly to remove safety lock pin from the cylinder rod. Open needle valve to lower the stand

5.3 TOWING THE MAINTENANCE STAND

1. Prior to fully lowering the stand place the safety lock pin in the upper most hole in the cylinder rod
2. Open the needle valve to fully lower the stand. The front platform support frame will rest on the support tubes on the frame and the safety lock pin will rest on the body of the cylinder

6.0 MAINTENANCE

6.1 MAINTENANCE SCHEDULE

TASK	Daily	3 Months	6 Months	Annually	5 Years *
Check for loose or missing hardware. Tighten or replace before use	X				
Check frame for damage. If damage is found, stand shall be removed from service until repaired	X				
Oil pivot points - apply a few drops of oil to ungreased pivot points to prevent binding		X			
Grease pivot points - Apply EP2 lithium grease or equivalent to all major pivot points using provided zerkl fittings			X		
Remove wheel hubs and repack with EP2 lithium grease or equivalent				X	
Check hydraulic level - level to be no more than 1.5" down from top of hydraulic tank with stand in lowest position. If necessary, fill with a high performance anti-wear hydraulic oil. Tronair recommends Mobil DTE 10 Excel 15				X	
Replace hydraulic filter element				X	
Inspect step attachment bolts for wear and/or deformation. Replace as necessary.				X	
Perform load test using 125% of rated load (600 lbs / 272 kg). See load test instructions below				X	
Perform load test using 200% of rated load (1,000 lbs / 454 kg). See load test instructions below					X

*and after major repairs due to damage

6.2 LOAD TESTING

See Maintenance Schedule for recommended load and frequency.

With platform at lowest height, place test load on the center of the platform. The load should be tethered in a way that prevents dangerous shifting of the weight in the event of failure of the stand. Observe the entire stand for any material or weld failures. If damage is found, stand shall be removed from service until repaired and retested.

7.0 PROVISION OF SPARES

7.1 SOURCE OF SPARE PARTS

Spare parts may be obtained from the manufacturer:

TRONAIR , Inc.	Telephone: (419) 866-6301 or 800-426-6301
1 Air Cargo Pkwy East	Fax: (419) 867-0634
Swanton, Ohio 43558 USA	E-mail: sales@tronair.com
	Website: www.tronair.com



For Spare Parts, Operations & Service Manuals or Service Needs:
Scan the QR code or visit Tronair.com/aftermarket

7.2 RECOMMENDED SPARE PARTS LISTS

Reference the following page(s) for Replacement Parts and Kits available.

Recommended Spares:

1502749 Filter Assembly
1505729 Pump Seal Kit
K-2589..... Cylinder Seal Kit

8.0 GUARANTEES/LIMITATION OF LIABILITY

Tronair products are warranted to be free of manufacturing or material defects for a period of one year after shipment to the original customer. This is solely limited to the repair or replacement of defective components. This warranty does not cover the following items:

- a) Parts required for normal maintenance
- b) Parts covered by a component manufacturers warranty
- c) Replacement parts have a 90-day warranty from date of shipment

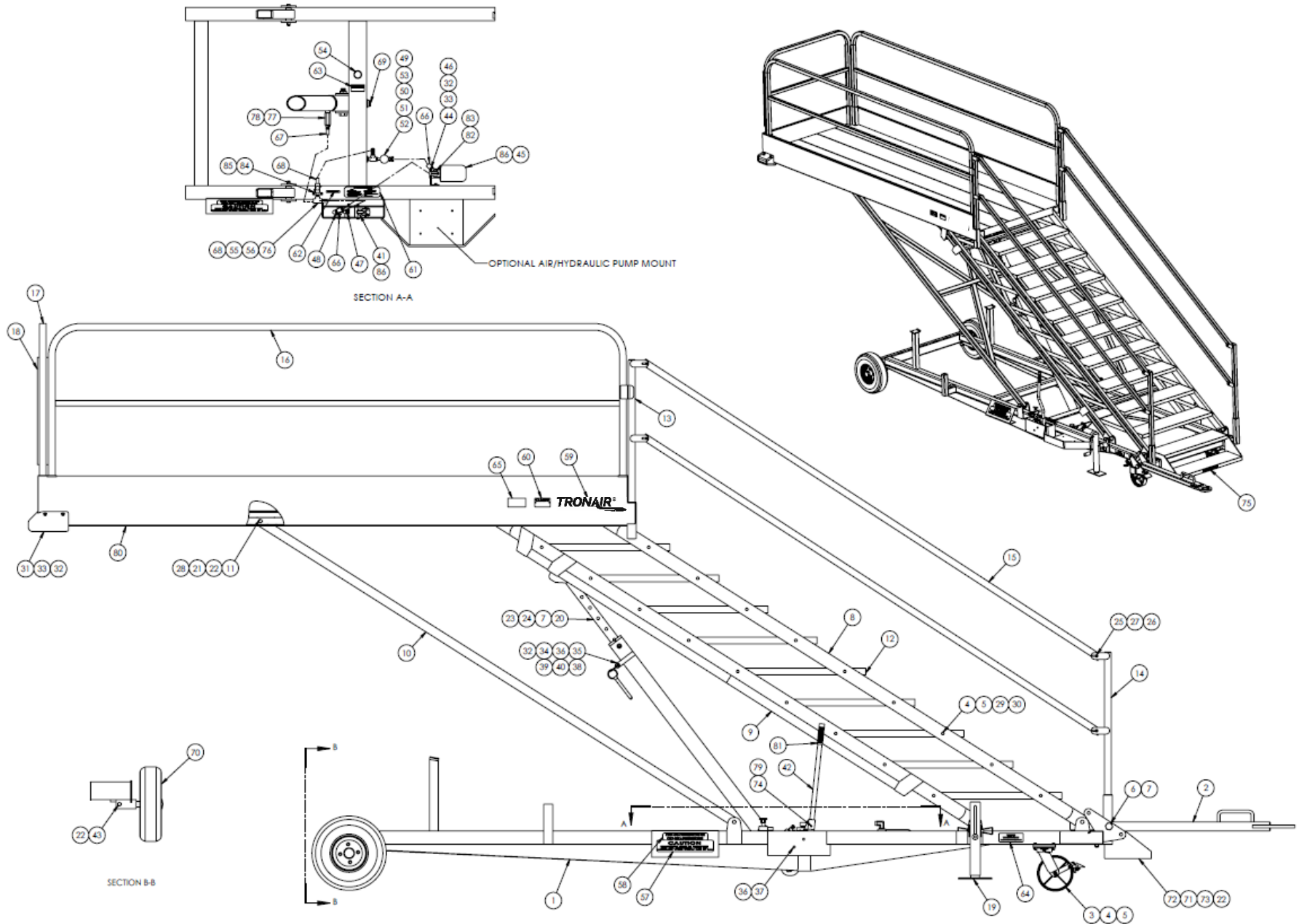
If you have a problem that may require service, contact Tronair immediately. Do not attempt to repair or disassemble a product without first contacting Tronair, any action may affect warranty coverage. When you contact Tronair be prepared to provide the following information:

- a) Product Model Number
- b) Product Serial Number
- c) Description of the problem

If warranty coverage is approved, either replacement parts will be sent or the product will have to be returned to Tronair for repairs. If the product is to be returned, a Return Material Authorization (RMA) number will be issued for reference purposes on any shipping documents. Failure to obtain a RMA in advance of returning an item will result in a service fee. A decision on the extent of warranty coverage on returned products is reserved pending inspection at Tronair. Any shipments to Tronair must be shipped freight prepaid. Freight costs on shipments to customers will be paid by Tronair on any warranty claims only. Any unauthorized modification of the Tronair products or use of the Tronair products in violation of cautions and warnings in any manual (including updates) or safety bulletins published or delivered by Tronair will immediately void any warranty, express or implied.

The obligations of Tronair expressly stated herein are in lieu of all other warranties or conditions expressed or implied. **Any unauthorized modification of the Tronair products or use of the Tronair products in violations of cautions and warnings in any manual (including updates) or safety bulletins published or delivered by Tronair will immediately void any warranty, express or implied and Tronair disclaims any and all liability for injury (WITHOUT LIMITATION and including DEATH), loss or damage arising from or relating to such misuse.**

Parts List Illustration



Parts List

When ordering replacement parts/kits, please specify model, serial number and color of your unit.

Item	Part Number	Description	Qty
1	15W3911	MAIN FRAME WELDMENT	1
2	15W6429	TOWBAR WELDMENT	1
3	15W6429	SWIVEL CASTER WITH BRAKE	2
4	15W6429	3/8-16 x 1-1/4" HHCS ZINC	44
5	15W6429	3/8-16 NYLOK NUT	44
6	15W6429	1-8 x 6" LG. HHCS ZINC	1
7	15W6429	1-8 NYLOK JAM NUT	3
8	15W6429	LIFT RAIL TUBE WELD	2
9	15W6429	LOWER LIFT WELD	1
10	15W6429	FRONT PLATFORM SUPPORT	1
11	15W6429	1/2-13 x 4-1/2" LG. HHCS ZINC	12
12	15W6429	STEP WELDMENT	9
13	15W6429	TOP HANDRAIL POST	2
14	15W6429	BOTTOM HANDRAIL POST WELD	2
15	15W6429	HAND RAIL TUBE	4
16	15W6429	SAFETY RAIL WELDMENT	2
17	15W6429	REMOVABLE SAFETY RAIL WELDMENT	1
18	15W6429	SPONGE RUBBER	4
19	15W6429	JACK	2
20	15W6429	HYDRAULIC CYLINDER	1
21	15W6429	LIFT RAIL SPACER	12
22	15W6429	1/2-13 NYLOK NUT	16
23	15W6429	1-8 x 5-1/2" LG. HHCS ZINC	1
24	15W6429	1-8 x 4" LG. HHCS ZINC	1
25	15W6429	5/16-18 NYLOK NUT	8
26	15W6429	5/16-18 x 2-3/4" LG. HHCS ZINC	8
27	15W6429	5/16" AN WASHER	16
28	15W6429	GREASE ZERK 45 deg	12
29	15W6429	STEP SPACER	36
30	15W6429	3/8" WASHER	36
31	15W6429	CORNER BUMPER	2
32	15W6429	1/4" WASHER	20
33	15W6429	1/4-20 x 3/4" LG. SELF TAPPING	18
34	15W6429	1/4-20 x 1" LG. HHCS ZINC	1
35	15W6429	CLYINDER STRAP	1
36	15W6429	1/4-20 NYLOK NUT	3
37	15W6429	1/4-20 x 3-1/4" LG. HHCS ZINC	2
38	15W6429	CHAIN	1
39	15W6429	BALL PIN	1
40	15W6429	S HOOK	1
41	15W6429	DUAL ACTING PUMP	1
42	15W6429	HANDLE PUMP	1
43	15W6429	1/2-13 x 2-3/4" LG. HHCS ZINC	2

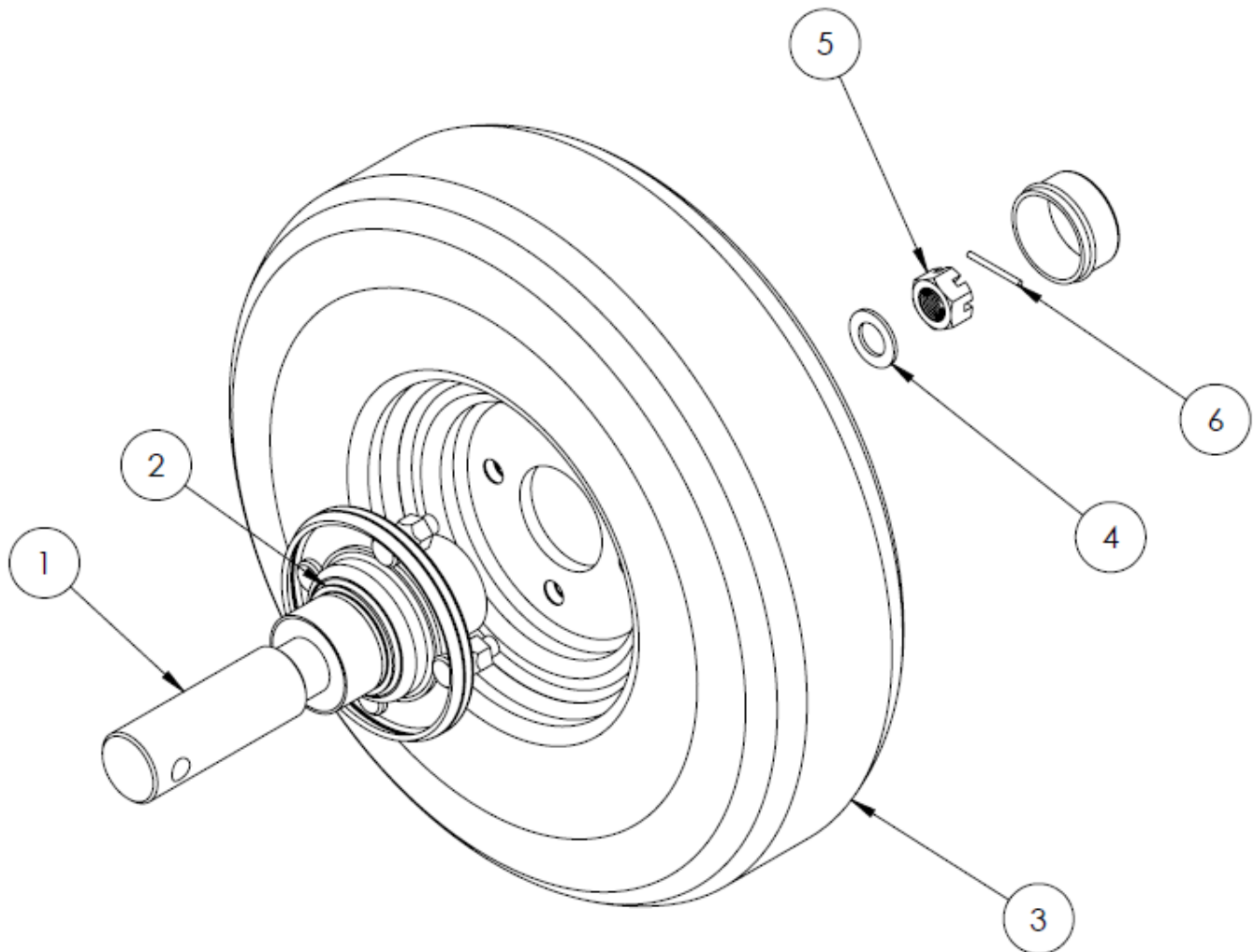
Parts List

When ordering replacement parts/kits, please specify model, serial number and color of your unit.

Item	Part Number	Description	Qty
44	15W6429	OIL FILTER BRACKET	1
45	15O2749	FILTER ELEMENT MOUNT	1
46	15O2552	1/4-20 x 3/4" LG. HHCS ZINC	2
47	15O4467	FITTING, 9/16NF x 1/4 SWIVEL 90	1
48	15O4468	SWIVEL, 6901-8-6	1
49	15O2057	SERVICE TEE, 5602-06-06-06	1
50	15O1016	1501-06-04 FITTING	1
51	15O2124	3/8 CLOSE NIPPLE	1
52	15O4847	3/8 GATE VALVE	1
53	15O478	SWIVEL ADAPTER, 1404-06-06	1
54	15O6285	BREATHER CAP, 3/4 NPT	1
55	15O2995	1/4 NEEDLE VALVE	1
56	15O1108	1/4 HEX NIPPLE	1
57	15O5828	CAUTION PLACARD	1
58	15O5830	WARNING PLACARD	1
59		TRONAIR LOGO	2
60	15O4099	SERIAL NUMBER PLATE	1
61	15L14436	OPERATE INS. PLACARD	1
62	15L13489	PLACARD	1
63	15L13490	PLACARD, HYDRAULIC OIL	1
64	15L16864	WARNING PLACARD	1
65	15O5895	PLACARD, WEIGHTS	1
66	15F2166	HYDRAULIC HOSE ASSEMBLY	2
67	15F1942	HYDRAULIC HOSE ASSEMBLY	1
68	15F1944	HYDRAULIC HOSE ASSEMBLY	2
69	15O5939	3/4 N.P.T. SIGHT PLUG	1
70	15F3117	4-BOLT HUB/TIRE ASS'Y	2
71	15O273	1/2-13 x 4" LG. HHCS ZINC	2
72	15W6399	REMOVABLE STEP WELD	1
73	15O302	1/2" AN WASHER	2
74	15O7287	#10-24 x 1-3/4" LG. SOCKET HEAD C.S.	1
75	15O6485	PLACARD, WARNING	1
76	15O1117	5605-04-04-04 TEE	1
77	15O5937	CHECK VALVE	1
78	15O680	1404-06-04 FITTING	1
79	15O7289	#10-24 NYLOK JAM NUT	1
80	15W6948	PLATFORM WELDMENT	1
81	15O1070	HANDLE GRIP	1
82	15O3057	3/4 x 3/8 HEX BUSHING	2
83	15O2080	3/8 STREET ELBOW	2
84	15O2587	1/2" RIDGID CLAMP	1
85	15O6286	1/4-20 x 3/4 PHILLIPS TYPE 23 SCREW	1
86	15O3050	FILTER ELEMENT	1

Parts List

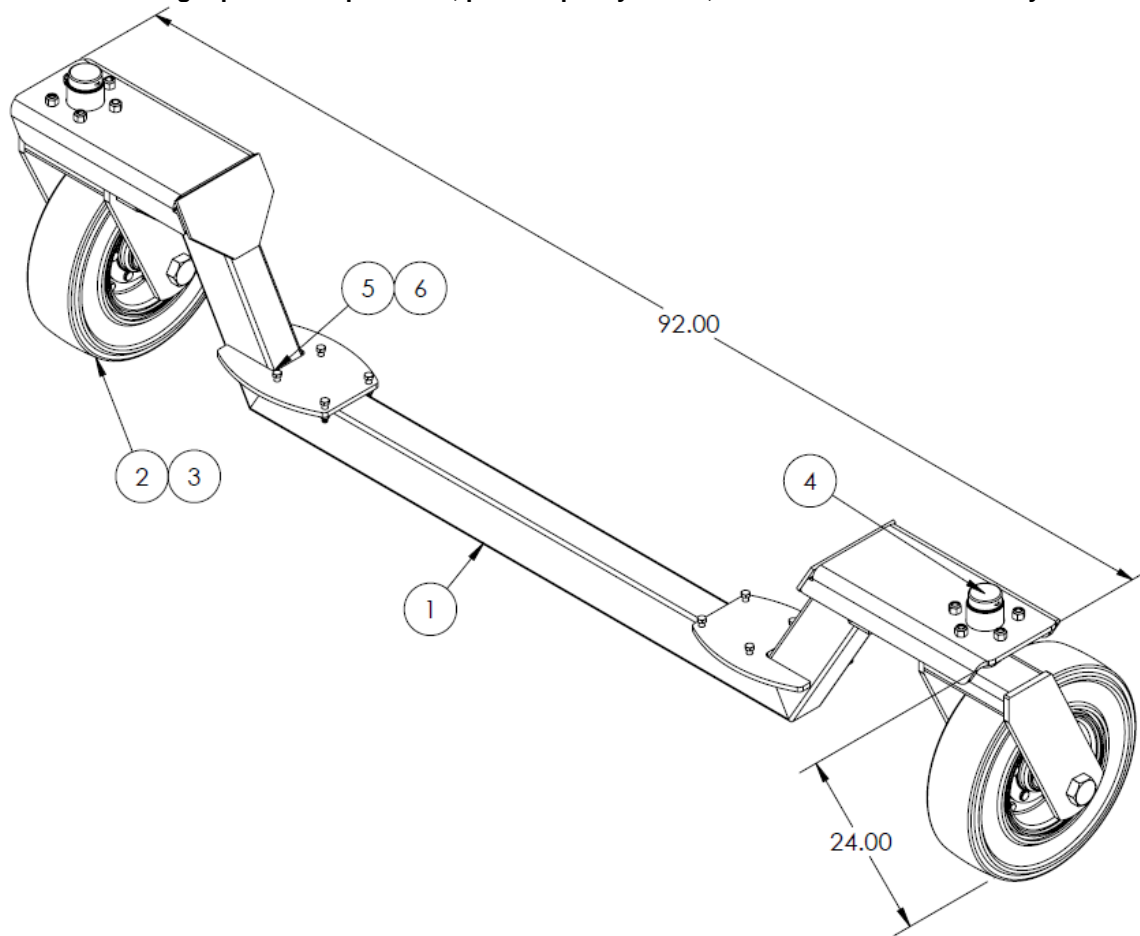
When ordering replacement parts/kits, please specify model, serial number and color of your unit.



Item	Part Number	Description	Qty
	15F3117	4-BOLT PNEUMATIC TIRE; consists of:	
1	15L25417	SPINDLE	1
2	15O4450	4 BOLT HUB	1
3	15O4553	WHEEL ASSY	1
4	15O321	3/4 AN WASHER	1
5	15O3113	3/4-16 SLOTTED NUT	1
6	15O269	1/8 X 1-1/2 LG COTTER KEY	1

Parts List – Optional Caster Assembly

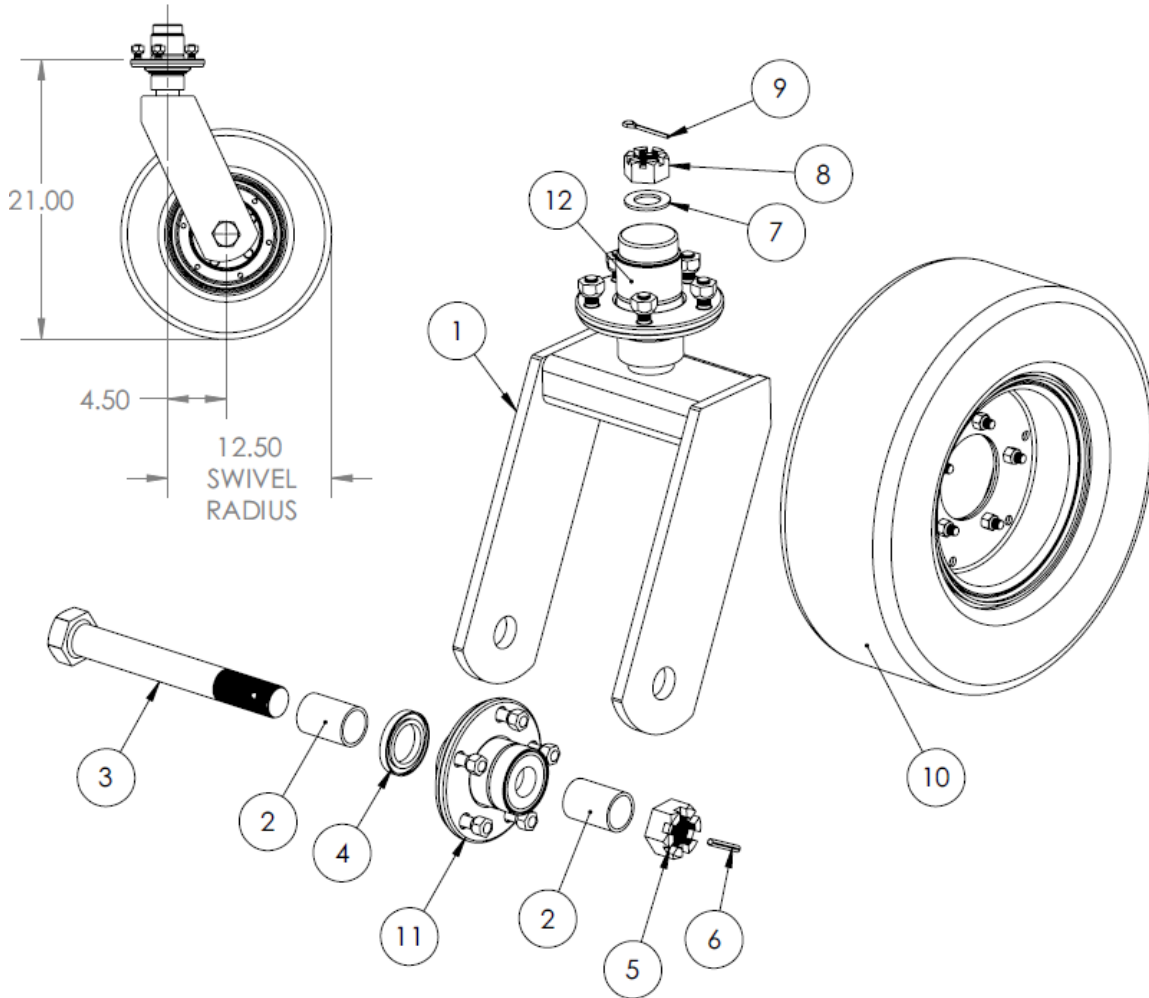
When ordering replacement parts/kits, please specify model, serial number and color of your unit.



Item	Part Number	Description	Qty
	15F2496	CASTER ASSEMBLY; consists of:	
1	15W5082	CASTER MOUNT WELDMENT	1
2	15F2700	CASTER ASSY (SN AFTER 56400)	2
3	15F2448	CASTER ASSY (SN UPT TO 56399)	2
4	15O586	1/2 - 20 NYLOK NUT	10
5	15O739	3/8-16 X 1-1/2 LG HHCS ZINC	8
6	15O588	3/8 - 16 NYLOK NUT	8

Parts List- Caster Assembly (Serial Numbers after 56400)

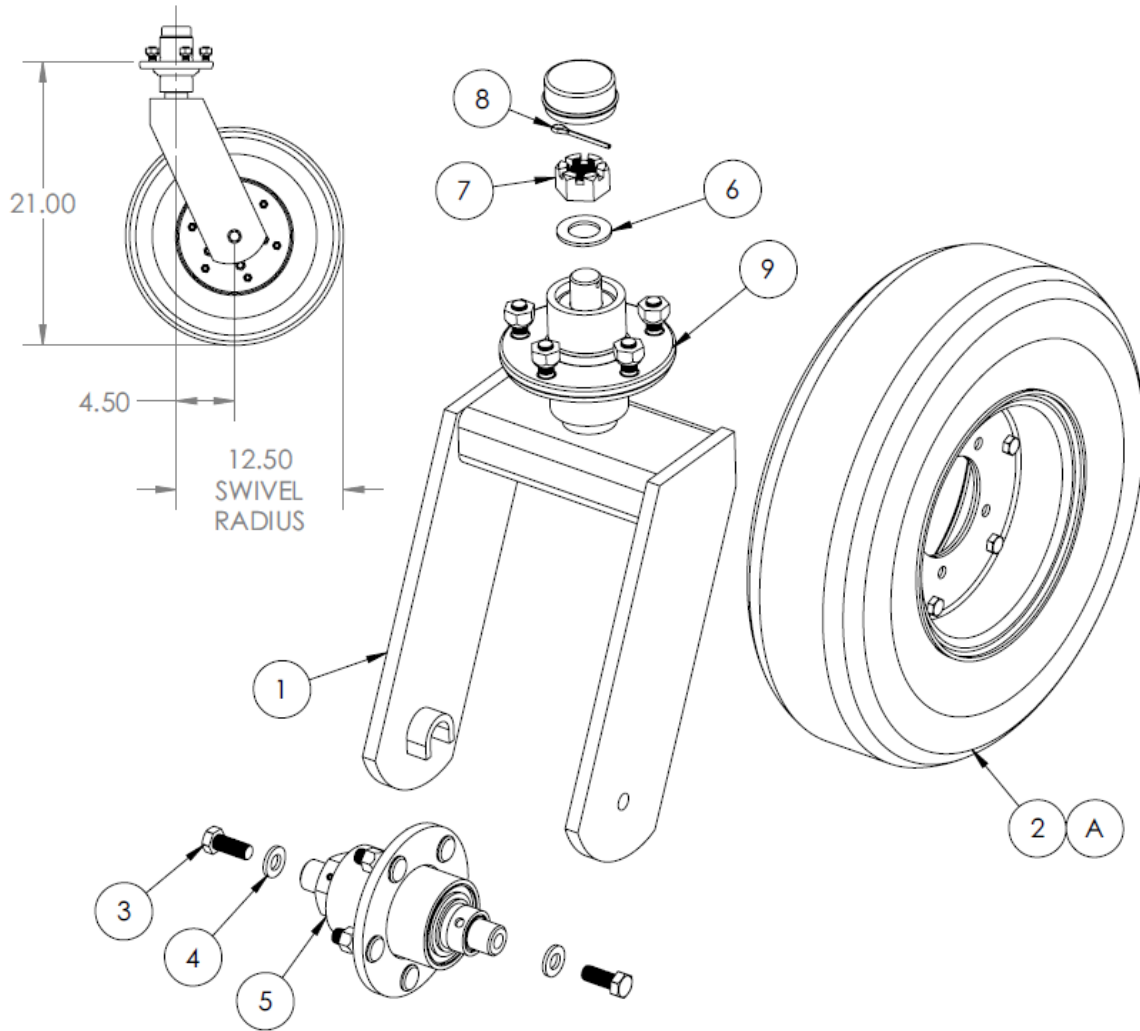
When ordering replacement parts/kits, please specify model, serial number and color of your unit.



Item	Part Number	Description	Qty
	15F2700	CASTER ASSEMBLY ; <i>consists of:</i>	
1	15W5508	CASTER FRAME WELDMENT	1
2	15L22082	SPACER	2
3	15L22081	AXLE BOLT	1
4	15O5272	SEAL	1
5	15O5055	1-1/4 - 12 SLOTTED NUT	1
6	15O318	1/4 X 1-3/4 LG ROLL PIN	1
7	15O4668	HUB ASSY	1
8	15O4399	1 - 14 SLOTTED NUT	1
9	15O2258	1/8 X 2 LG COTTER KEY	1
10	15F1892	TIRE & WHEEL ASSY	1
11	15O4492	5 BOLT HUB	1
12	15O4722	1.015 ID AN WASHER	1

Parts List- Caster Assembly (Serial Numbers up to 56399)

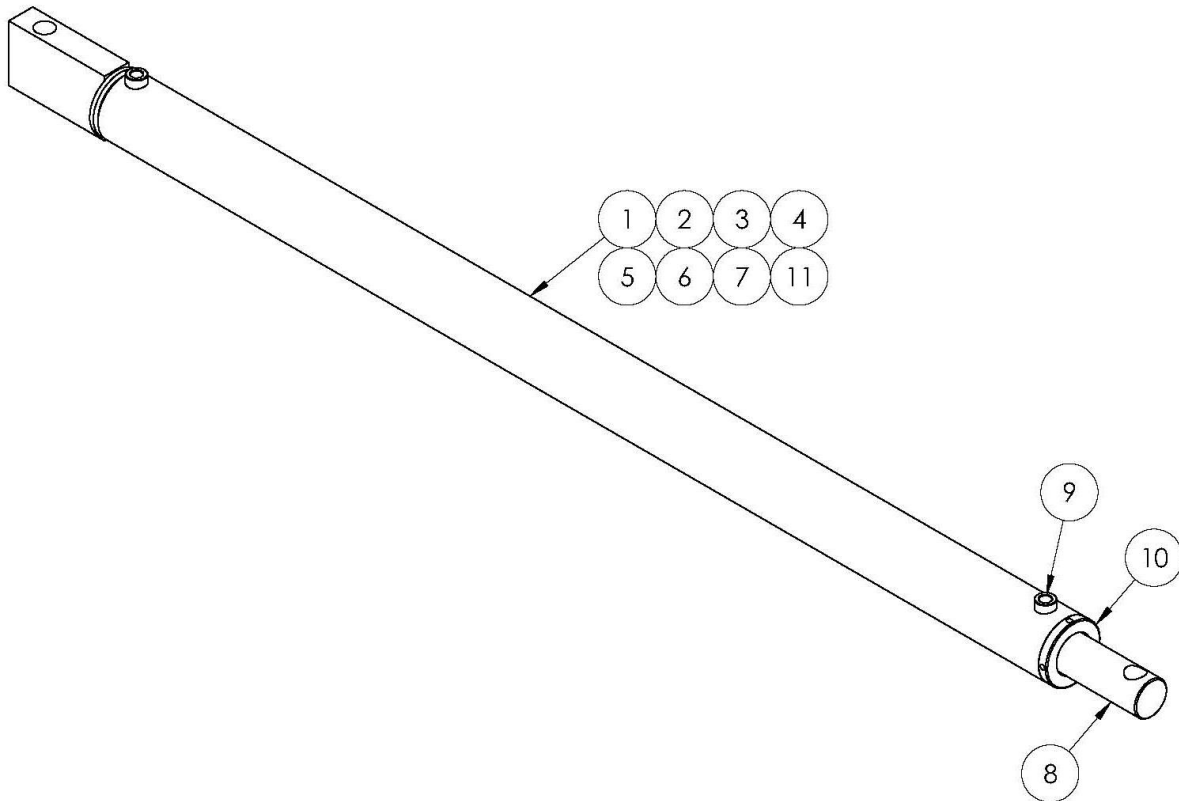
When ordering replacement parts/kits, please specify model, serial number and color of your unit.



Item	Part Number	Description	Qty
	15F8448	CASTER ASSEMBLY ; <i>consists of:</i>	
1	15W4979	CASTER YOKE WELD	1
2	15F1893	TIRE & WHEEL ASSY	1
3	15O655	1/2-20 X 1-1/4 LG NYLOK C.S.	2
4	15O126	LOCK WASHER	2
5	15F2272	AXLE ASSY	1
6	15O4722	1.015 ID AN WASHER	1
7	15O4399	1 – 14 SLOTTED NUT	1
8	15O2258	1/8 X 2 LG COTTER KEY	1
9	15F1892	OPTIONAL 400 X 8 SOLID TIRE	1

Parts List

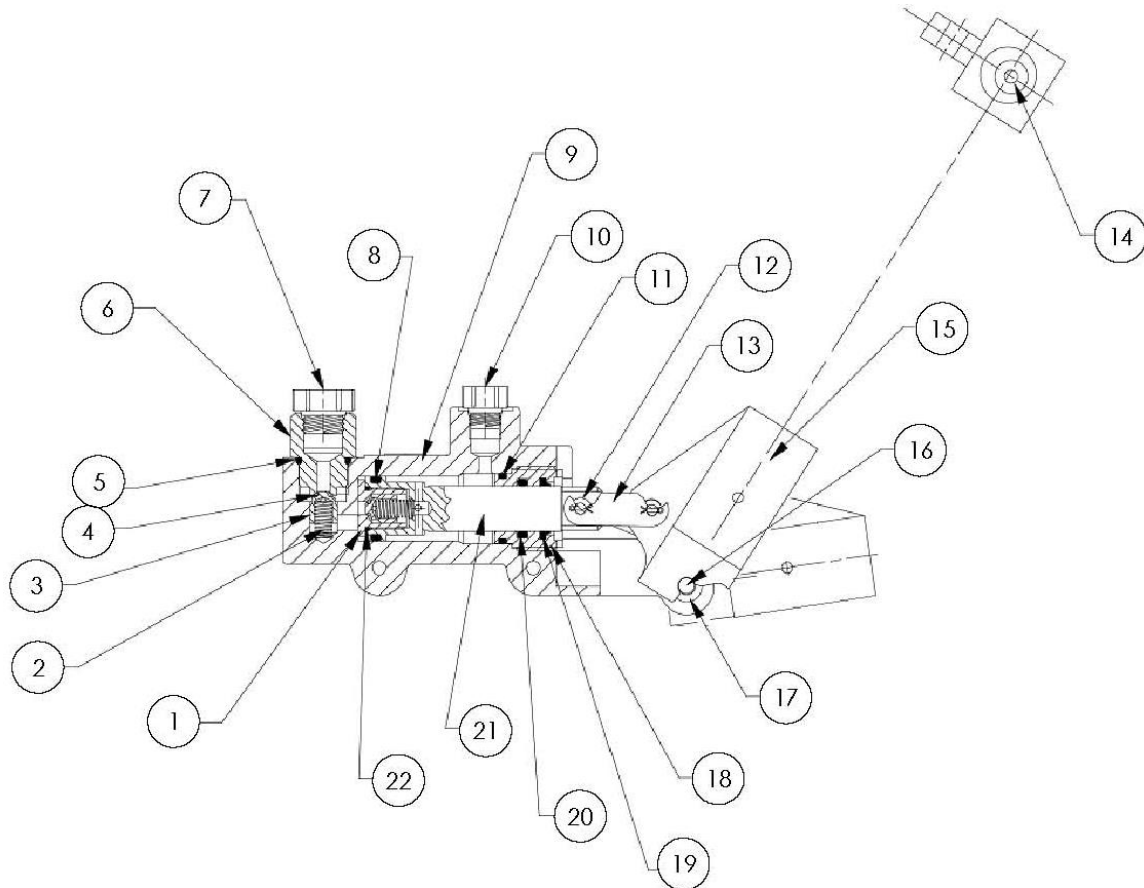
When ordering replacement parts/kits, please specify model, serial number and color of your unit.



Item	Part Number	Description	Qty
1	1505365	JACKET ASSY	1
2	1505359	CASTLE NUT	1
3	1505360	WEAR RING	1
4	1505361	PISTON	1
5	1505362	POLYPACK	1
6	1505363	BACKUP WASHER	1
7	1505364	O-RING	1
8	1505366	PISTON ROD	1
9	1505367	3/8 NPT BREATHER	1
10	1505727	GLAND NUT	1
11	1505368	ROD WIPER	1
12	K-2589	Seal Kit (SA-300-200-RPK-WPB)	1

Parts List – Hydraulic Pump

When ordering replacement parts/kits, please specify model, serial number and color of your unit.



Item	Part Number	Description	Qty
	1504446	HYDRAULIC PUMP ; <i>consists of:</i>	
1	1505619	FITTING, O-RING BOSS	1
2	1505620	SPRING	2
3	1505621	BODY POPPET	2
4	1505622	O-RING	2
5	1505623	O-RING	1
6	1505624	FITTING, CHECK SEAT	1
7	1505625	FITTING, ORB PLUG	1
8	1505626	O-RING	1
9	1505627	BODY, DUAL ACTION HAND PUMP	1
10	1505628	FITTING, PLUG	1
11	1505629	O-RING	1
12	1505617	BUSHING, BRONZE	2
13	1505618	LINK, DOUBLE PITCH CHAIN	1
14	1505630	SCREW, SET	1
15	1505631	PIVOT, HANDLE	1
16	1505632	PIN, HINGE	1
17	1505633	BUSHING, BRONZE SHOULDER	2
18	1505634	NUT, GLAND	1
19	1505635	WIPER, ROD	1
20	1505636	O-RING	1
21	1505637	PISTON, HAND PUMP	1
22	1505638	O-RING	1

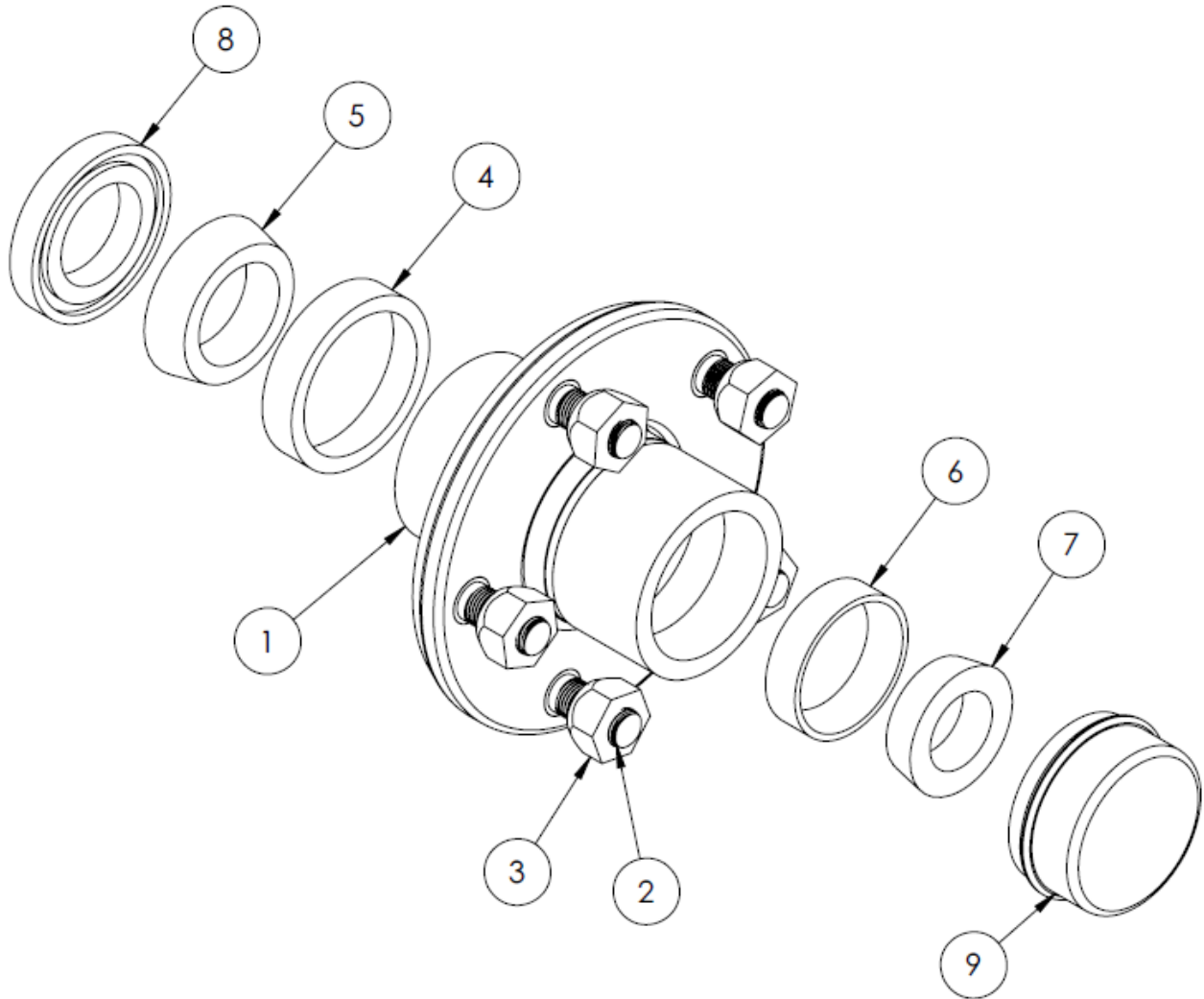
Parts List

When ordering replacement parts/kits, please specify model, serial number and color of your unit.

Item	Part Number	Description	Qty
	1505729	Seal Kit: includes;	
4	1505622	O-Ring	2
5	1505623	O-Ring	1
8	1505626	O-Ring	1
11	1505629	O-Ring	1
19	1505635	Wiper, Rod	1
20	1505636	O-Ring	1
22	1505638	O-Ring	1

Parts List- Hub Assembly

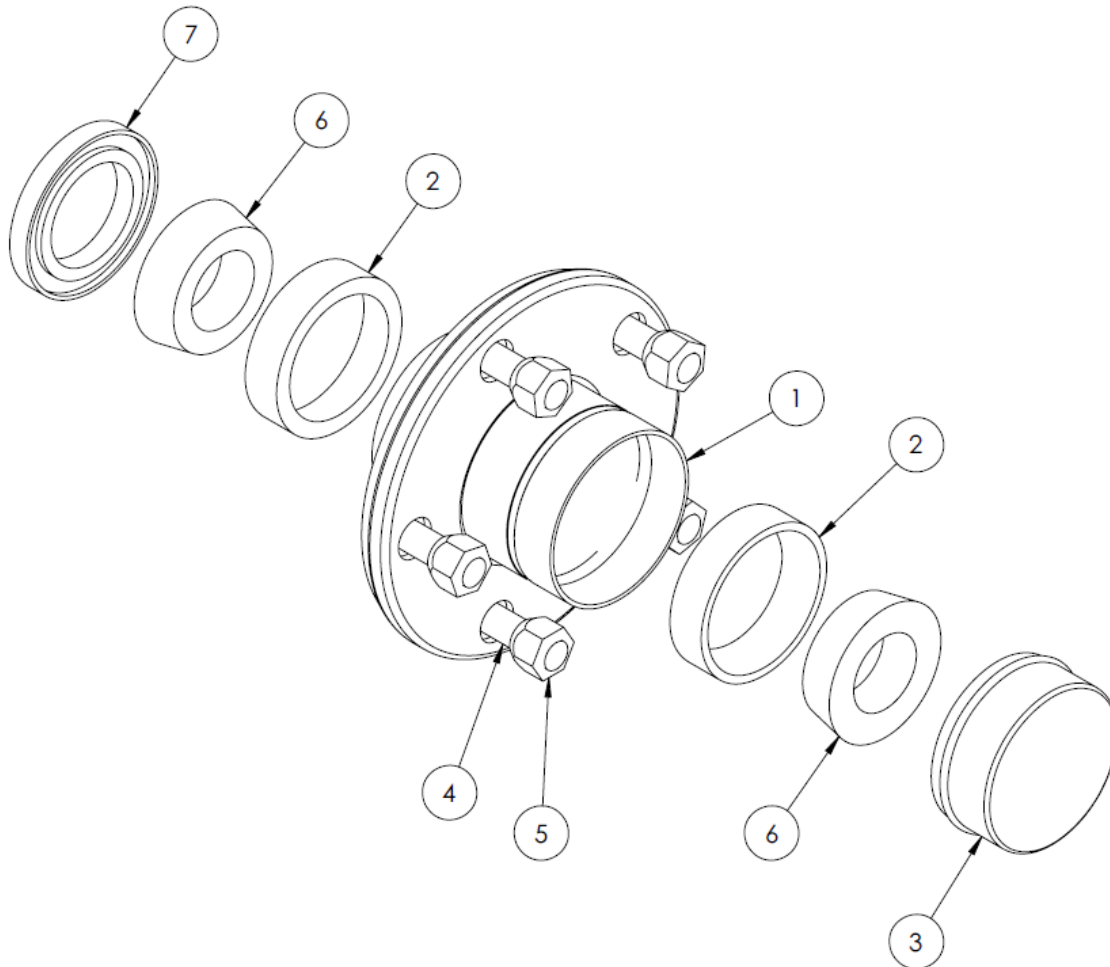
When ordering replacement parts/kits, please specify model, serial number and color of your unit.



Item	Part Number	Description	Qty
	15O4668	HUB ASSEMBLY; consists of:	
1	15O4823	HUB	1
2	15O4824	WHEEL STUD	5
3	15O4827	LUG NUT	5
4	15O4849	INNER BEARING CUP	1
5	15O4828	INNER BEARING CONE	1
6	15O4848	OUTER BEARING CUP	1
7	15O4825	OUTER BEARING CONE	1
8	15O4829	GREASE SEAL	1
9	15O4826	DUST CAP	1

Parts List- Hub Assembly

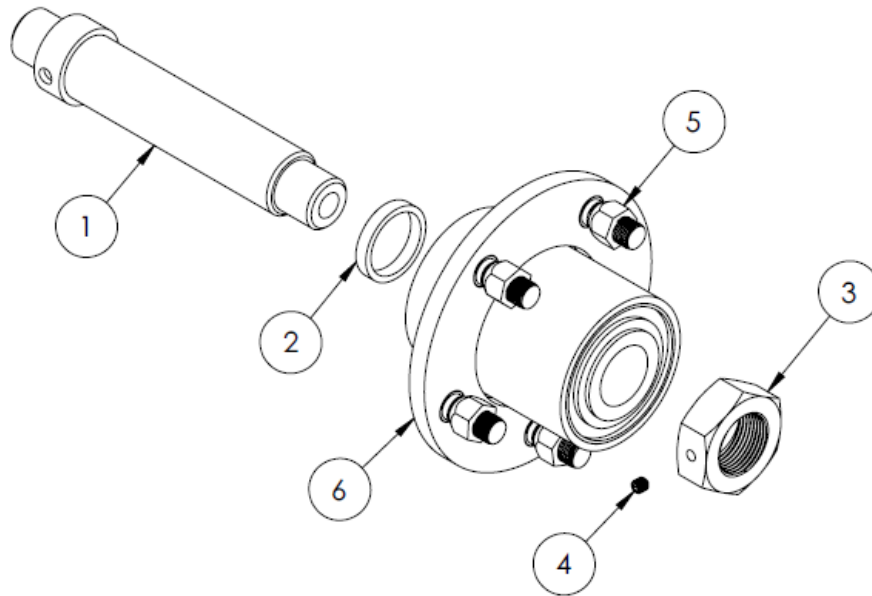
When ordering replacement parts/kits, please specify model, serial number and color of your unit.



Item	Part Number	Description	Qty
	1504492	HUB ASSEMBLY; consists of:	
1	1505269	HUB	1
2	1505267	BEARING CUP	5
3	1505266	DUST CAP	5
4	1505270	WHEEL STUD	1
5	1505271	LUG NUT	1
6	1505268	BEARING CONE	1
7	1505272	SEAL	1

Parts List- Axle Assembly

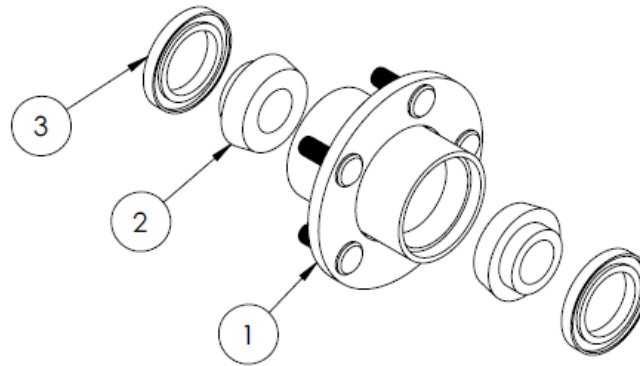
When ordering replacement parts/kits, please specify model, serial number and color of your unit.



Item	Part Number	Description	Qty
	15F2272	AXLE ASSEMBLY; consists of:	
1	15W4522	AXLE WELD	1
2	15L17690	OUTSIDE EARING STOP	1
3	15L17691	HUB RETAINER	1
4	15O129	1/4-28 X 1/4 LG SETSCREW	1
5	15O1413	LUG NUT	5
6	15F2280	HUB ASSEMBLY	1

Parts List- Hub Assembly

When ordering replacement parts/kits, please specify model, serial number and color of your unit.



Item	Part Number	Description	Qty
	15F2280	AXLE ASSEMBLY; consists of:	
1	15F1693	HUB SUB ASSEMBLY	1
2	15O350	CONE, BEARING	2
3	15O3227	GREASE SEAL	2