

**Model: 04-6034-1100
Maintenance Stand**



06/2024 – Rev. 03

**For Spare Parts, Operations & Service Manuals or Service Needs
Scan the QR code or visit Tronair.com/aftermarket**



The Tronair Group of Companies: Tronair | EBIS | Columbus Jack | Eagle | DAE | Malabar International

Tronair, Inc.
Tronair, Inc.
1 Air Cargo Pkwy East
Swanton, OH 43558

Phone: (419) 866-6301 | 800-426-6301

Phone: (419) 866-6301 | 800-426-6301

Web: www.tronair.com
Email: sales@tronair.com

REVISION	DATE	TEXT AFFECTED
01	06/2009	Original Release
02	10/2010	Major Revision
03	06/2024	Major Revision

TABLE OF CONTENTS

PAGE

1.0	PRODUCT INFORMATION	1
1.1	DESCRIPTION.....	1
1.2	MODEL & SERIAL NUMBER.....	1
1.3	MANUFACTURER	1
2.0	SAFETY INFORMATION	1
2.1	USAGE AND SAFETY INFORMATION	1
3.0	TRAINING	1
3.1	TRAINING REQUIREMENTS	1
3.2	TRAINING PROGRAM	1
3.3	OPERATOR TRAINING.....	1
4.0	PREPARATION FOR USE	1
5.0	OPERATING INSTRUCTIONS	2
5.1	RAISING THE MAINTENANCE STAND	2
5.2	LOWERING THE MAINTENANCE STAND	2
6.0	MAINTENANCE	2
6.1	MAINTENANCE SCHEDULE.....	2
6.2	LOAD TESTING.....	2
7.0	PROVISION OF SPARES	3
7.1	SOURCE OF SPARE PARTS.....	3
7.2	RECOMMENDED SPARE PARTS LISTS	3
8.0	GUARANTEES/LIMITATION OF LIABILITY	3

This product can not be modified without the written approval of Tronair, Inc. Any modifications done without written approval voids all warranties and releases Tronair, Inc., its suppliers, distributors, employees, or financial institutions from any liability from consequences that may occur. Only Tronair OEM replacement parts shall be used.

1.0 PRODUCT INFORMATION

1.1 DESCRIPTION

The maintenance stand has been lubricated and adjusted at the factory and no additional preparation is required. A general inspection should be made to determine if any damage was sustained in transit. If any damage was sustained the transportation company should be notified immediately.

Capacity 500 lbs (227 kg)

1.2 MODEL & SERIAL NUMBER

Reference nameplate on unit

1.3 MANUFACTURER

TRONAIR, Inc.
1 Air Cargo Pkwy East
Swanton, Ohio 43558 USA

Telephone: (419) 866-6301 or 800-426-6301
Fax: (419) 867-0634
E-mail: sales@tronair.com
Website: www.tronair.com

2.0 SAFETY INFORMATION

2.1 USAGE AND SAFETY INFORMATION

To ensure safe operations please read the following statements and understand their meaning. Also refer to your equipment manufacturer's manual for other important safety information. This manual contains safety precautions which are explained below. Please read carefully.



WARNING!

Warning is used to indicate the presence of a hazard that can cause **severe personal injury, death, and/or substantial property damage** if the Warning Notice is ignored.



CAUTION!

Caution is used to indicate the presence of a hazard, which will or can cause **minor personal injury or property damage** if the Caution Notice is ignored.

3.0 TRAINING

3.1 TRAINING REQUIREMENTS

The employer of the operator is responsible for providing a training program sufficient for the safe operation of the unit.

3.2 TRAINING PROGRAM

The employer provided operator training program should cover safety procedures concerning use of the unit in and around the intended aircraft at the intended aircraft servicing location.

3.3 OPERATOR TRAINING

The operator training should provide the required training for safe operation of the unit.

NOTE: Maintenance and Trouble Shooting are to be performed by a skilled and trained technician.

4.0 PREPARATION FOR USE

The maintenance stand has been lubricated and adjusted at the factory and no additional preparation is required. A general inspection should be made to determine if any damage was sustained in transit. If any damage was sustained the transportation company should be notified immediately.

5.0 OPERATING INSTRUCTIONS

To properly operate this stand, it is mandatory that the operating procedures listed below be read thoroughly and followed.

5.1 RAISING THE MAINTENANCE STAND

1. Close the needle valve
2. Operate hydraulic pump until platform is at desired working height
3. Insert locking pin through cylinder rod
4. Move stand to desired position and lock rear casters



CAUTION!

Always insert the locking pin through the cylinder rod after raising the platform. Always lock casters after positioning stand

5.2 LOWERING THE MAINTENANCE STAND

1. Unlock the rear casters
2. Pull the stand away from working position
3. Remove the lock pin from the cylinder rod
4. Slowly open the needle valve

6.0 MAINTENANCE

6.1 MAINTENANCE SCHEDULE

TASK	Daily	3 Months	6 Months	Annually	5 Years *
Check for loose or missing hardware. Tighten or replace before use	X				
Check frame for damage. If damage is found, stand shall be removed from service until repaired	X				
Oil pivot points - apply a few drops of oil to ungreased pivot points to prevent binding		X			
Grease pivot points - Apply EP2 lithium grease or equivalent to all major pivot points using provided zerk fittings			X		
Remove wheel hubs and repack with EP2 lithium grease or equivalent				X	
Check hydraulic level - level to be no more than 1.5" down from top of hydraulic tank with stand in lowest position. If necessary, fill with a high performance anti-wear hydraulic oil. Tronair recommends Mobil DTE 10 Excel 15				X	
Replace hydraulic filter element				X	
Inspect step attachment bolts for wear and/or deformation. Replace as necessary.				x	
Perform load test using 125% of rated load (600 lbs / 272 kg). See load test instructions below				X	
Perform load test using 200% of rated load (1,000 lbs / 454 kg). See load test instructions below					X

*and after major repairs due to damage

6.2 LOAD TESTING

See Maintenance Schedule for recommended load and frequency.

With platform at lowest height, place test load on the center of the platform. The load should be tethered in a way that prevents dangerous shifting of the weight in the event of failure of the stand. Observe the entire stand for any material or weld failures. If damage is found, stand shall be removed from service until repaired and retested.

7.0 PROVISION OF SPARES

7.1 SOURCE OF SPARE PARTS

Spare parts may be obtained from the manufacturer:

TRONAIR, Inc.	Telephone: (419) 866-6301 or 800-426-6301
1 Air Cargo Pkwy East	Fax: (419) 867-0634
Swanton, Ohio 43558 USA	E-mail: sales@tronair.com
	Website: www.tronair.com



For Spare Parts, Operations & Service Manuals or Service Needs:
Scan the QR code or visit Tronair.com/aftermarket

7.2 RECOMMENDED SPARE PARTS LISTS

Reference the following page(s) for Replacement Parts and Kits available.

Recommended Spares:

1502749 Filter Assembly
1505729 Pump Seal Kit
K-2589..... Cylinder Seal Kit

8.0 GUARANTEES/LIMITATION OF LIABILITY

Tronair products are warranted to be free of manufacturing or material defects for a period of one year after shipment to the original customer. This is solely limited to the repair or replacement of defective components. This warranty does not cover the following items:

- a) Parts required for normal maintenance
- b) Parts covered by a component manufacturers warranty
- c) Replacement parts have a 90-day warranty from date of shipment

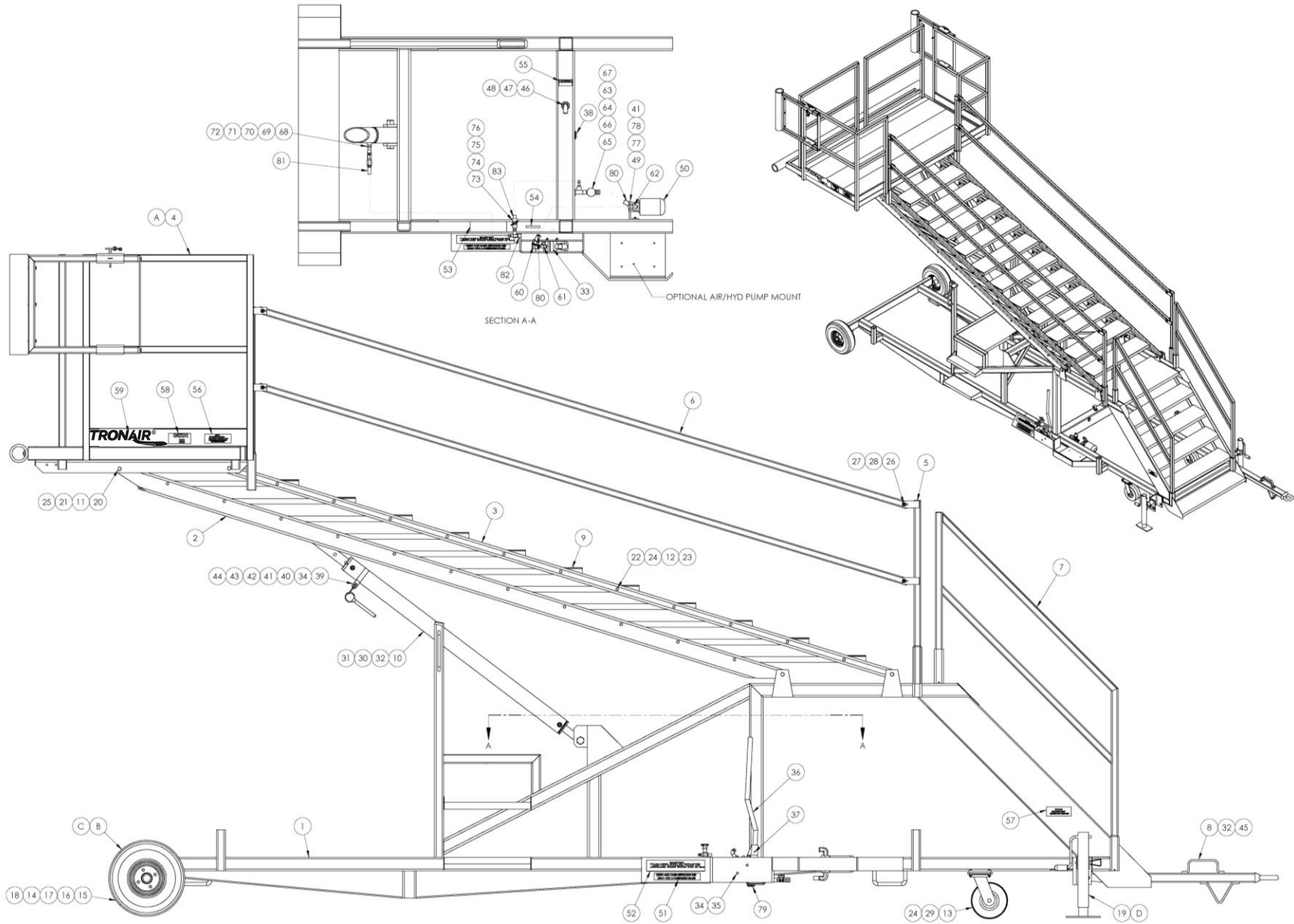
If you have a problem that may require service, contact Tronair immediately. Do not attempt to repair or disassemble a product without first contacting Tronair, any action may affect warranty coverage. When you contact Tronair be prepared to provide the following information:

- a) Product Model Number
- b) Product Serial Number
- c) Description of the problem

If warranty coverage is approved, either replacement parts will be sent or the product will have to be returned to Tronair for repairs. If the product is to be returned, a Return Material Authorization (RMA) number will be issued for reference purposes on any shipping documents. Failure to obtain a RMA in advance of returning an item will result in a service fee. A decision on the extent of warranty coverage on returned products is reserved pending inspection at Tronair. Any shipments to Tronair must be shipped freight prepaid. Freight costs on shipments to customers will be paid by Tronair on any warranty claims only. Any unauthorized modification of the Tronair products or use of the Tronair products in violation of cautions and warnings in any manual (including updates) or safety bulletins published or delivered by Tronair will immediately void any warranty, express or implied.

The obligations of Tronair expressly stated herein are in lieu of all other warranties or conditions expressed or implied. **Any unauthorized modification of the Tronair products or use of the Tronair products in violations of cautions and warnings in any manual (including updates) or safety bulletins published or delivered by Tronair will immediately void any warranty, express or implied and Tronair disclaims any and all liability for injury (WITHOUT LIMITATION and including DEATH), loss or damage arising from or relating to such misuse.**

Parts List Illustration



Parts List

When ordering replacement parts/kits, please specify model, serial number and color of your unit.

Item	Part Number	Description	Qty
1	15W3978	MAIN FRAME WELDMENT	1
2	15W5013	LOWER LIFT RAIL	1
3	15W3831	LIFT RAIL WELDMENT	2
4	15F2406	PLATFORM ASSEMBLY	1
5	15W3835	BOTTOM HANDRAIL POST WELDMENT	4
6	15L14419	HANDRAIL TUBE	4
7	15W5591	LOWER HANDRAIL	2
8	15W3839	TOWBAR WELDMENT	1
9	15W3829	STEP WELDMENT	11
10	1505343	HYDRAULIC CYLINDER	1
11	15L14428	LIFT RAIL SPACER	8
12	15L14429	STEP SPACER	44
13	1504471	CASTER	2
14	1504450	4 BOLT HUB	2
15	1504553	WHEEL ASSEMBLY	2
16	150321	¾ AN WASHER	2
17	1503113	¾ - 16 SLOTTED NUT	2
18	150269	1/8 X 1 ½ LG COTTER KEY	3
19	1504864	JACK	2
20	150323	½ - 20 X 4 ½ LG CS	8
21	150586	½ - 20 NYLOK NUT	8
22	150753	3/8 X ¾ LG CS	44
23	150246	WROUGHT WASHER	44
24	150308	3/8 – 24 UNF NYLOK NUT	52
25	1505866	GREASE ZERK 45°	8
26	150736	5/16 – 24 X 2 ¾ LG CS	8
27	150316	AN WASHER	16
28	150315	5/16 – 24 NYLOK NUT	8
29	150310	3/8 – 24 X 1 ¼ LG CS	8
30	1504466	1 – 14 X 4 LG CS	1
31	1502544	1 – 14 X 5 ½ LG CS	1
32	1502546	1 NYLOK NUT	3
33	1504446	DUAL ACTING PUMP	1
34	150298	¼ - 28 NYLOK NUT	3
35	1503604	¼ NF X 3 ¼ LG CS	2
36	15L14430	PUMP HANDLE	1
37	150338	3/16 X 1 ½ LG ROLL PIN	1
38	1505939	¾ NPT SIGHT PLUG	1
39	1505514	CYLINDER STRAP	1
40	150748	¼ - 28 X 1 LG CS	1
41	150204	¼ WROUGHT WASHER	4
42	15L16640	CHAIN	1
43	1504006	S-HOOK	1
44	1504459	BALL PIN	1

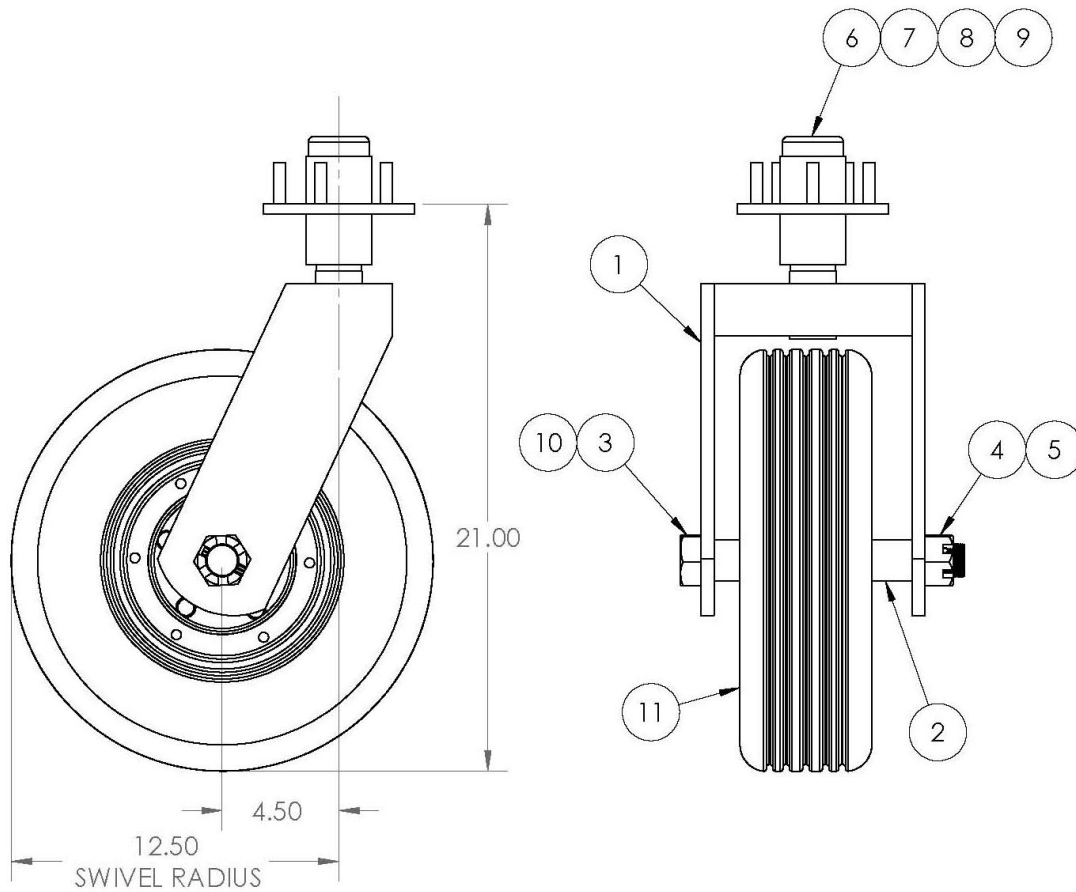
Parts List

When ordering replacement parts/kits, please specify model, serial number and color of your unit.

Item	Part Number	Description	Qty
45	150596	1/14 X 6 LG CS	1
46	1503057	BUSHING	1
47	1504189	3/8 ELBOW	1
48	1502693	BREATHER	1
49	15L21946	OIL FILTER BRACKET	1
50	1502749	FILTER	1
51	1505830	WARNING PLACARD	1
52	1505828	CAUTION PLACARD	1
53	15L14436	OPERATE INSTRUCTION PLACARD	1
54	15L13489	NEEDLE VALVE PLACARD	1
55	15L13490	HYDRAULIC OIL PLACARD	1
56	15L15020	HEIGHT & LOAD PLACARD	1
57	15L16864	WARNING PLACARD	1
58	1504099	SERIAL NUMBER	1
60	1504468	SWIVEL	1
61	1504467	9/16 X 1/4 RIGHT ANGLE SWIVEL	1
62	150479	STREET ELBOW	2
63	1502057	3/8 MALE TEE	1
64	1502124	3/8 CLOSE NIPPLE	1
65	1504847	3/8 GATE VALVE	1
66	150478	SWIVEL ADAPTER	1
67	1501016	3/8 X 1/4 RIGHT MALE SWIVEL	1
68	150963	3/8 NIPPLE	1
69	1502418	3/8 X 1/2 REDUCING BUSHING	1
70	150897	1/2 X 3/8 FEMALE SWIVEL	1
71	15L14446	VALVE	1
72	1502243	3/8 X 1/4 REDUCING BUSHING	1
73	1502995	1/4 NEEDLE VALVE	1
74	1501108	1/4 M-NIPPLE	1
75	1503952	SERVICE TEE	1
76	1502481	1/4 X 1/4 FEMALE SWIVEL	1
77	1502552	1/4 - 20 X 3/4 LG CS	2
78	1503323	1/4 - 20 X 3/4 SELF-TAPPING SCREW	2
79	1502877	3/4 NPT PIPE PLUG	1
80	15F2166	HYDRAULIC HOSE ASSEMBLY	2
81	15F2017	HYDRAULIC HOSE ASSEMBLY	1
82	15F2168	HYDRAULIC HOSE ASSEMBLY	1
83	15F932	HOSE ASSEMBLY	1
84	1505263	SEAL KIT	
85	1503050	REPLACEMENT FILTER CARTRIDGE	
A	15W4906	OPTIONAL UNITED AIRLINES PLATFORM	
B	1504566	OPTIONAL 4 X 8 FOAM FILLED TIRE	
C	1501985	OPTIONAL 4 X 8 SOLID RUBBER TIRE	
D	15F2509	OPTIONAL HAND JACK ASSEMBLY	

Parts List

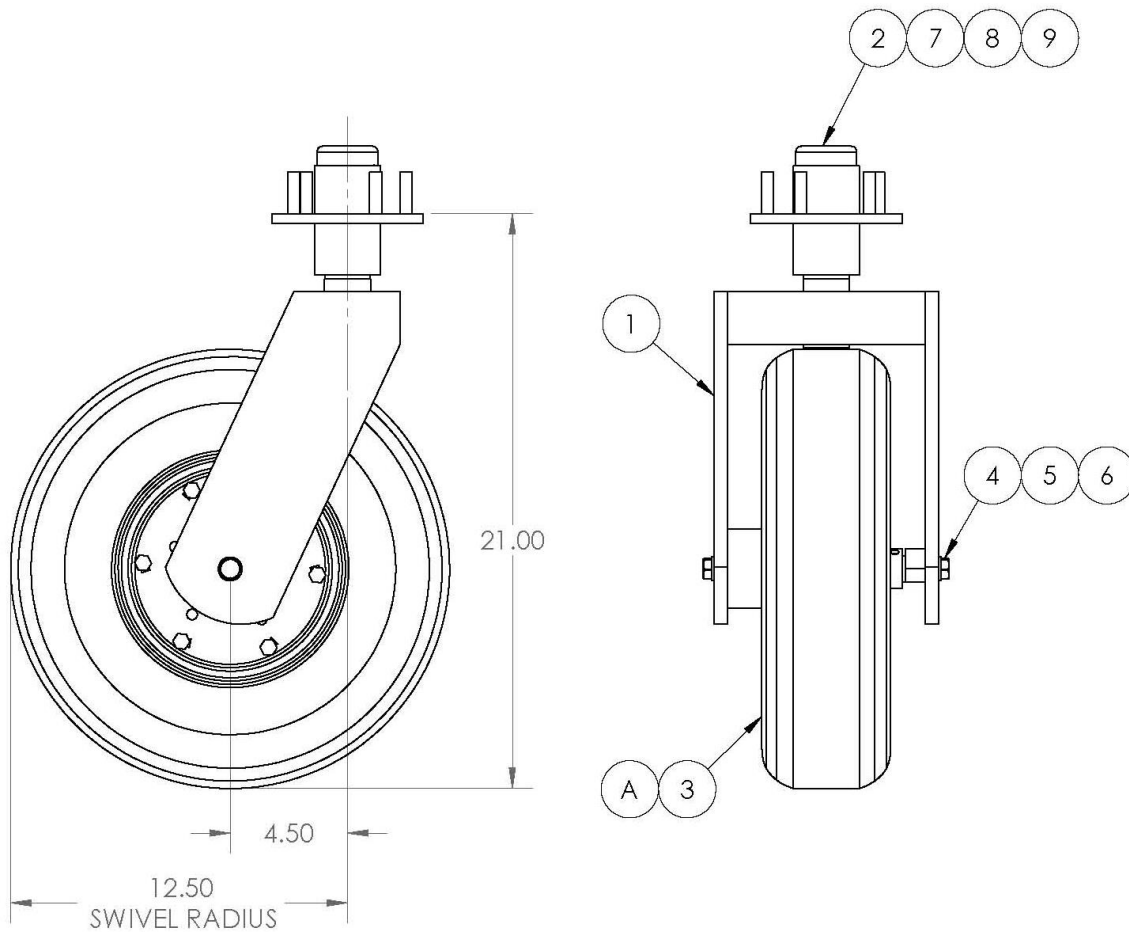
Caster Assembly S/N's after 56400



Item	Part Number	Description	Qty
1	15W5508	CASTER FRAME WELDMENT	1
2	15L22082	SPACER	2
3	15L22081	AXLE BOLT	1
4	1505055	1 ¼ SLOTTED NUT	1
5	150318	¼ X 1 ¾ LG ROLL PIN	1
6	1504668	HUB ASSEMBLY	1
7	1504722	1.015 ID AN WASHER	1
8	1504399	1 – 14 SLOTTED NUT	1
9	1502258	1/8 X 2 LG COTTER KEY	1
10	1504492	5 BOLT HUB	1
11	15F1892	TIRE & WHEEL ASSEMBLY	1

Parts List

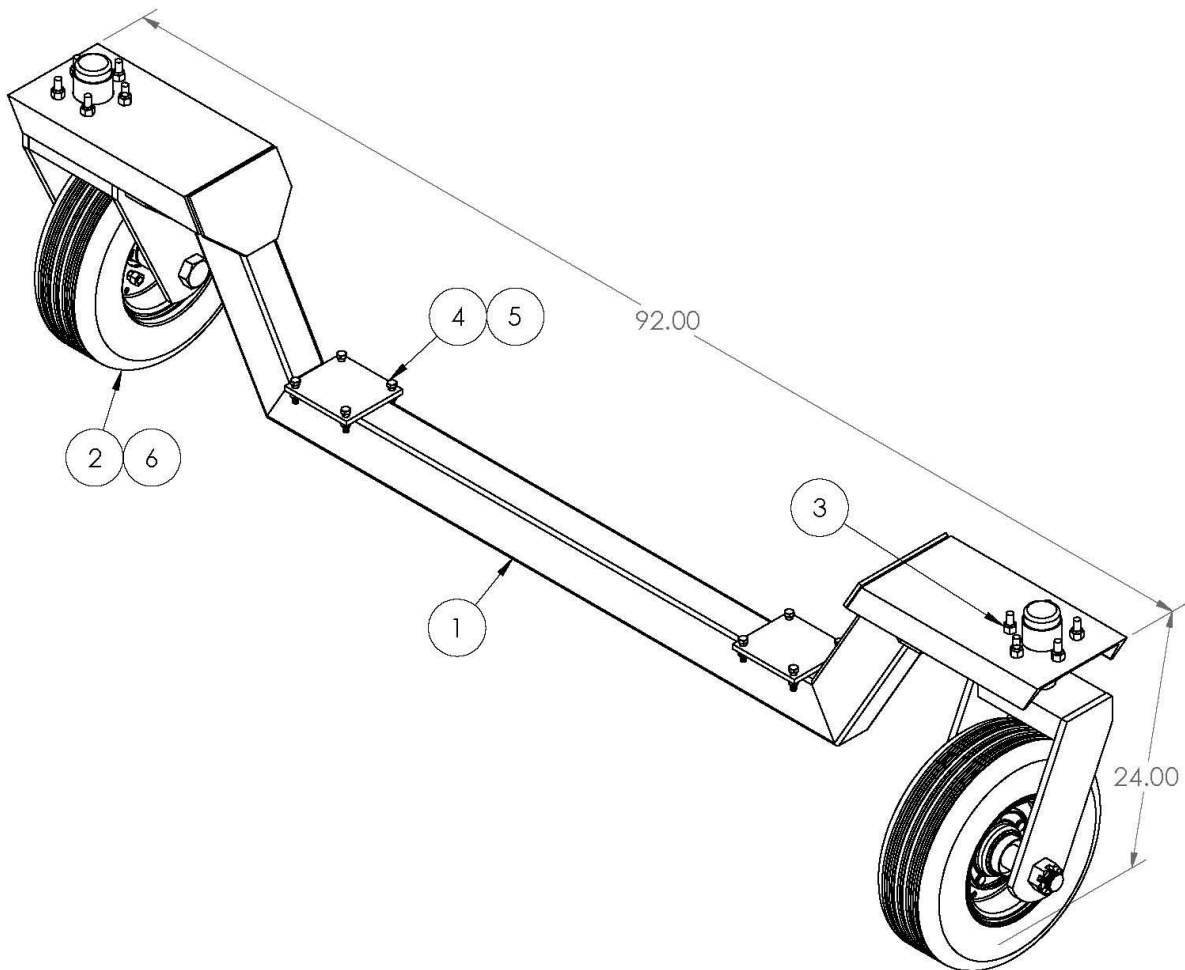
Caster Assembly S/N's up to 56399



Item	Part Number	Description	Qty
1	15W4979	CASTER YOKE WELDMENT	1
2	1504668	HUB ASSEMBLY	1
3	15F1893	TIRE & WHEEL ASSEMBLY	1
4	15F2448	½ - 20 X 1 ¼ LG NYLOK CS	2
5	150126	LOCK WASHER	2
6	15F2272	AXLE ASSEMBLY	1
7	1504722	1.015 ID AN WASHER	1
8	1504399	1 - 14 SLOTTED NUT	1
9	1502258	1/8 X 2 LG COTTER KEY	1
A	15F1892	OPTIONAL 400 X 8 SOLID TIRE	1

Parts List

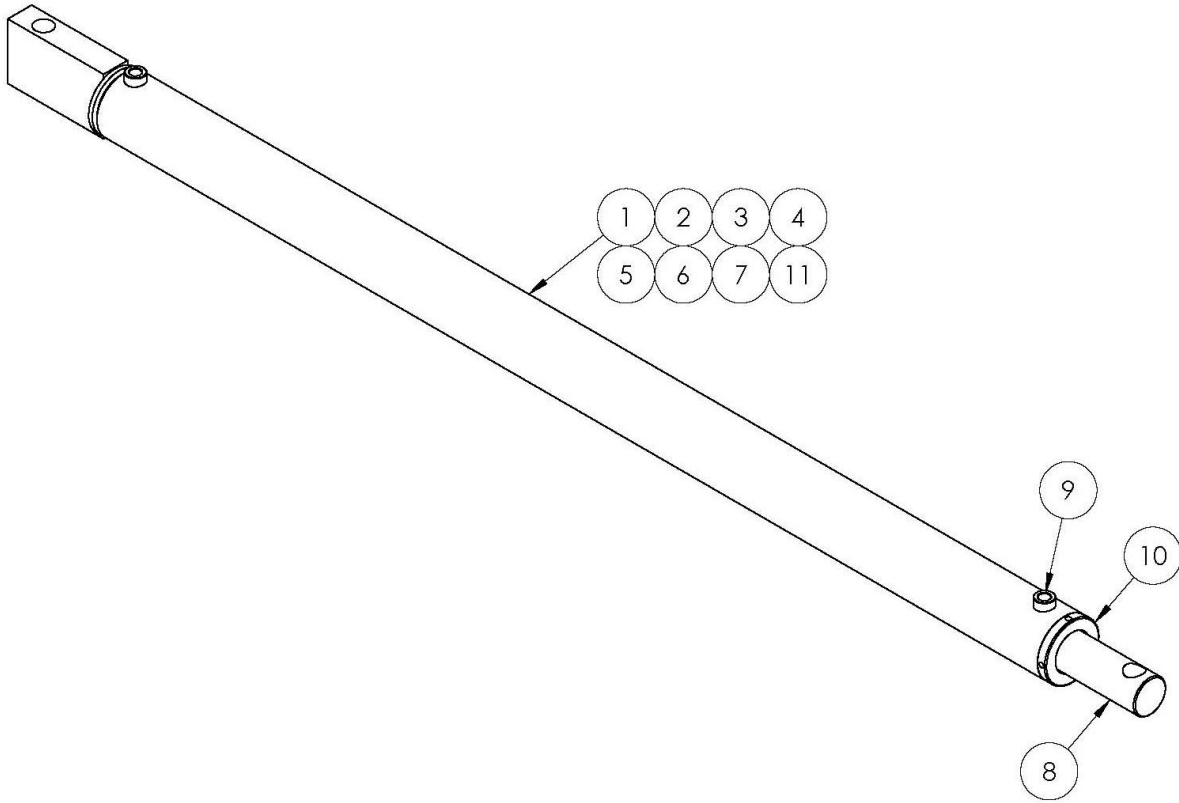
When ordering replacement parts/kits, please specify model, serial number and color of your unit.



Item	Part Number	Description	Qty
1	15W5082	CASTER MOUNT WELDMENT	1
2	15F2700	CASTER ASSEMBLY, S/N'S AFTER 56400	2
3	150586	1/2 - 20 NYLOK NUT	10
4	150337	3/8 - 24 UNF X 1 1/2 LG NYLOK CS	8
5	150308	3/8 - 24 UNF NYLOK NUT	8
6	15F2448	CASTER ASSEMBLY, S/N'S UP TO 53699	2

Parts List

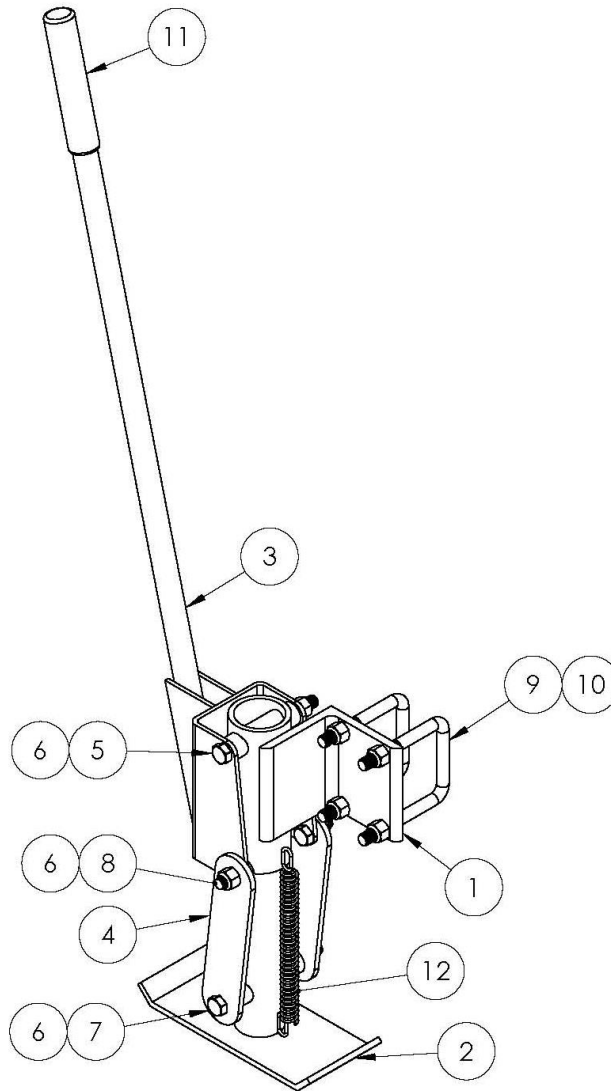
When ordering replacement parts/kits, please specify model, serial number and color of your unit.



Item	Part Number	Description	Qty
1	1505365	JACKET ASSEMBLY	1
2	1505359	CASTLE NUT	1
3	1505360	WEAR RING	1
4	1505361	PISTON	1
5	1505362	POLYPAK	1
6	1505363	BACKUP WASHER	1
7	1505364	O-RING	1
8	1505366	PISTON ROD	1
9	1505367	3/8 NPT BREATHER	1
10	1505727	GLAND NUT	1
11	1505368	ROD WIPER	1
12	K-2589	SEAL KIT (SA-300-200-RPK-WPB)	1

Parts List

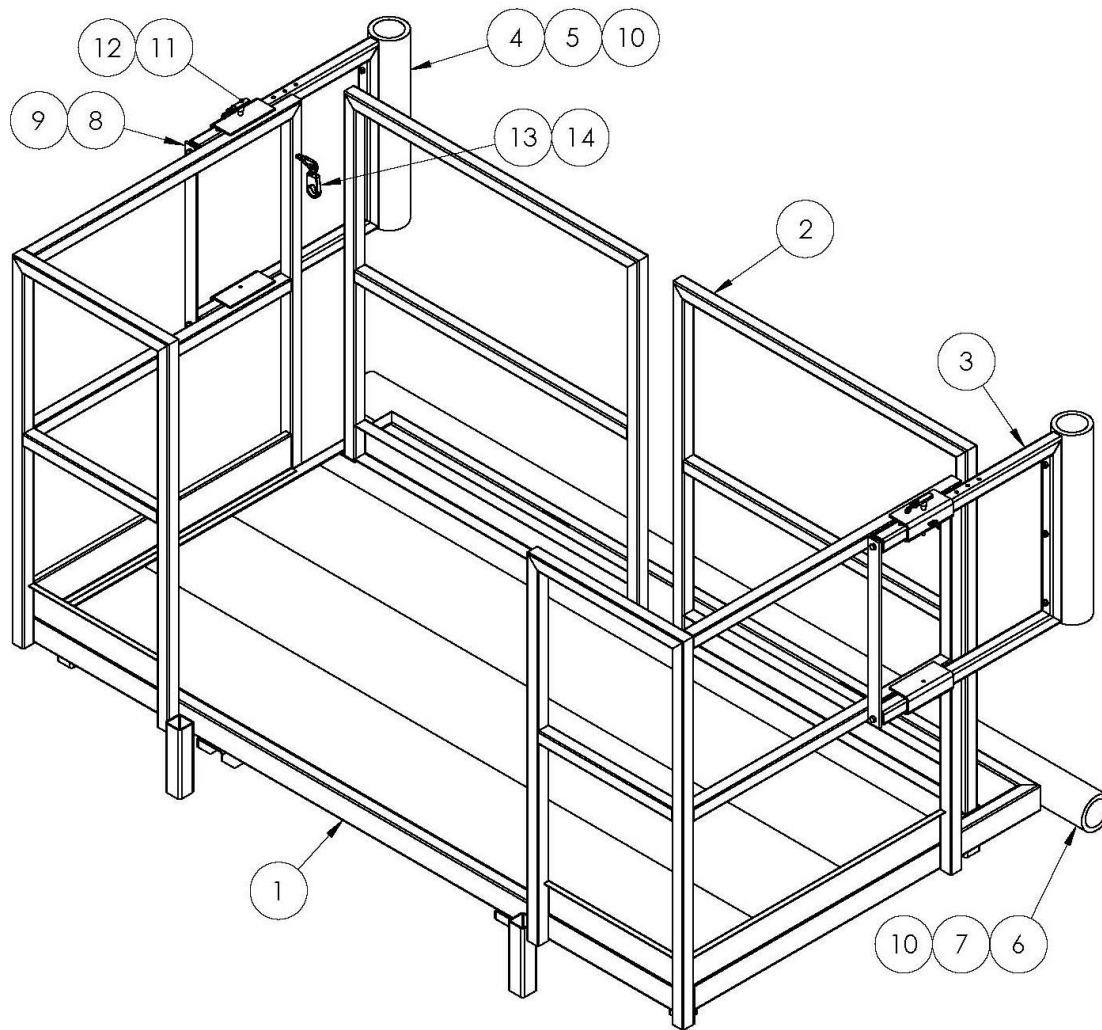
When ordering replacement parts/kits, please specify model, serial number and color of your unit.



Item	Part Number	Description	Qty
1	15W5125	UPPER TUBE WELDMENT RH	1
	15W5124	UPPER TUBE WELDMENT LH	1
2	15W5126	LOWER TUBE WELDMENT	1
3	15W5123	HANDLE WELDMENT	1
4	15L20696	FLAT LINKAGE	2
5	1501453	½ - 20 UNF X 5 LG CS	1
6	150586	½ - 20 NYLOK NUT	4
7	150825	½ - 20 X 5 ½ LG CS	1
8	150635	½ - 20 X 1 ¼ LG CS	2
9	15L4313	U-BOLT, HITCH	2
10	1501718	½ - 13 UNC NYLOK NUT	4
11	1504740	GRIP	1
12	1505441	SPRING	2

Parts List

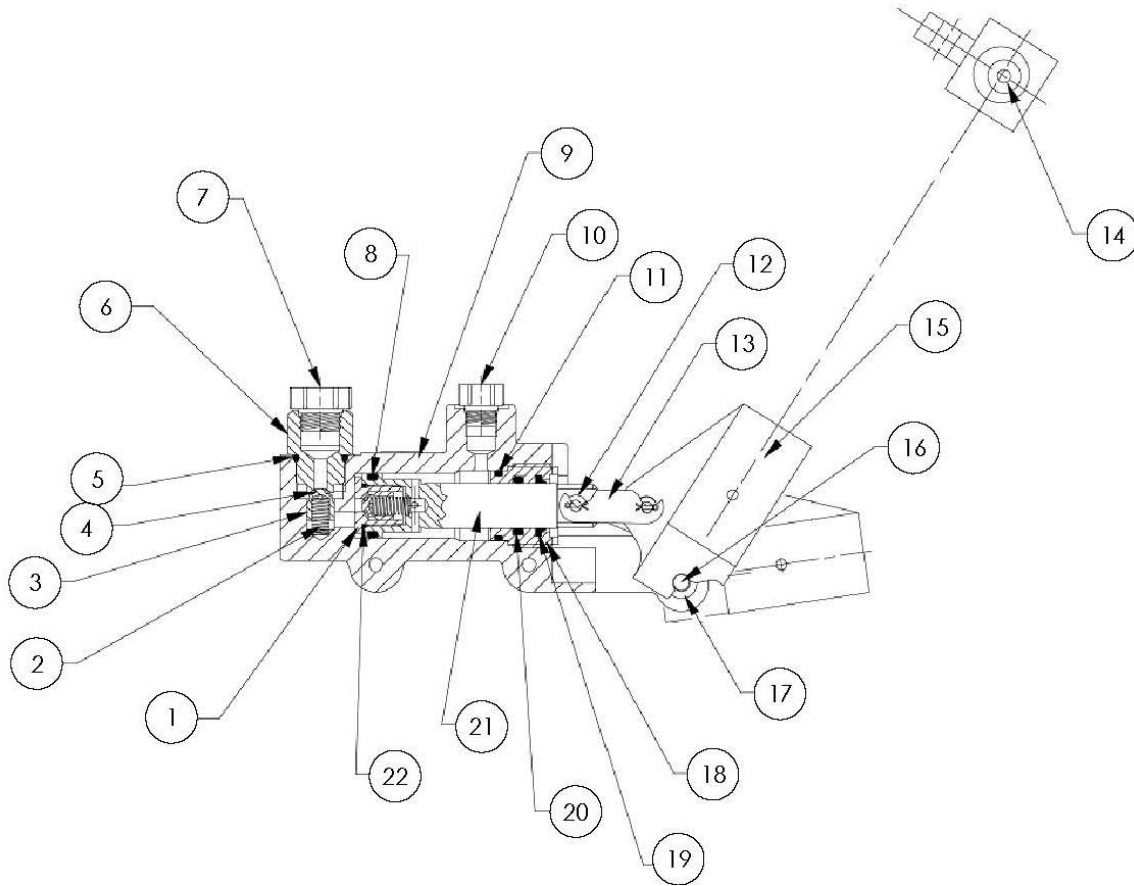
When ordering replacement parts/kits, please specify model, serial number and color of your unit.



Item	Part Number	Description	Qty
1	15W4870	PLATFORM WELDMENT	1
2	15W4901	FRONT HANDRAIL WELDMENT	2
3	15W5139	HANDRAIL EXTENSION	2
4	15L19565	BUMPER	2
5	15W4886	BUMPER STRIP WELDMENT	2
6	15L19490	BUMPER	1
7	15W4871	BOLTING STRIP	1
8	15L20749	END CAP FLAT	2
9	1502119	3/8 - 24 X 3/4 LG CS	4
10	150315	5/16 - 24 NYLOK NUT	12
11	1504705	BALL LOCK PIN	2
12	1505325	S HOOK	2
13	1505314	CHAIN SNAP	1
14	1505841	THREADED CONNECTOR	1

Parts List

When ordering replacement parts/kits, please specify model, serial number and color of your unit.



Item	PART NUMBER	DESCRIPTION	Qty
1	1505619	FITTING, O-RING BOSS	1
2	1505620	SPRING	2
3	1505621	BODY POPPET	2
4	1505622	O-RING	2
5	1505623	O-RING	1
6	1505624	FITTING, CHECK SEAT	1
7	1505625	FITTING, ORB PLUG	1
8	1505626	O-RING	1
9	1505627	BODY, DUAL ACTION HAND PUMP	1
10	1505628	FITTING, PLUG	1
11	1505629	O-RING	1
12	1505617	BUSHING, BRONZE	2
13	1505618	LINK, DOUBLE PITCH CHAIN	1
14	1505630	SCREW, SET	1
15	1505631	PIVOT, HANDLE	1
16	1505632	PIN, HINGE	1
17	1505633	BUSHING, BRONZE SHOULDER	2
18	1505634	NUT, GLAND	1
19	1505635	WIPER, ROD	1
20	1505636	O-RING	1
21	1505637	PISTON, HAND PUMP	1
22	1505638	O-RING	1

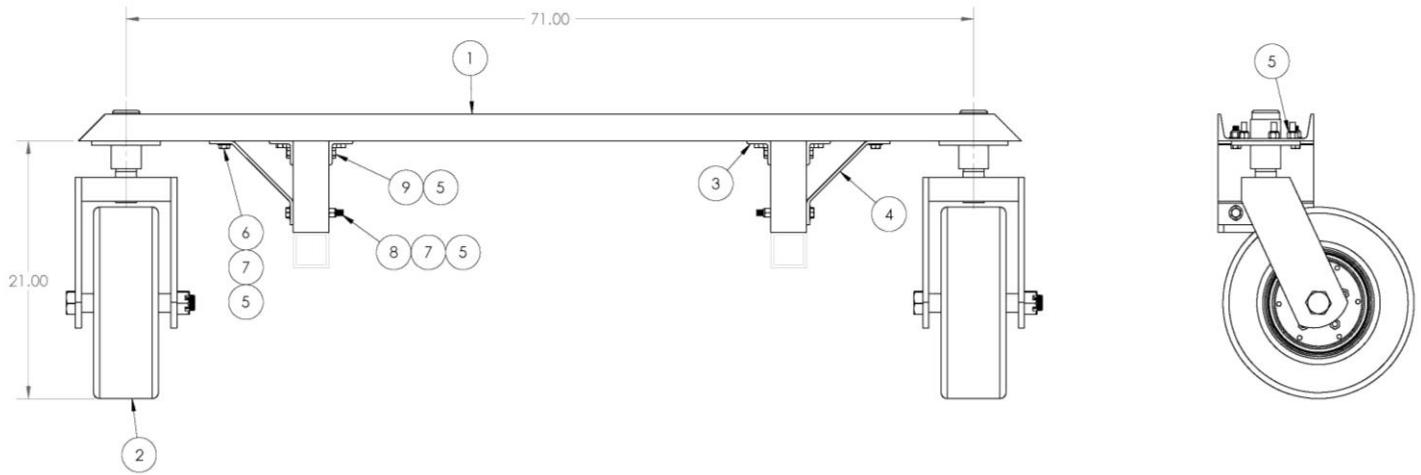
Parts List

When ordering replacement parts/kits, please specify model, serial number and color of your unit.

Item	Part Number	Description	Qty
	1505729	Seal Kit: includes;	
4	1505622	O-Ring	2
5	1505623	O-Ring	1
8	1505626	O-Ring	1
11	1505629	O-Ring	1
19	1505635	Wiper, Rod	1
20	1505636	O-Ring	1
22	1505638	O-Ring	1

Parts List

Optional Caster Mount Assembly S/N's up to 58,000



Item	PART NUMBER	DESCRIPTION	Qty
1	15L20135	CASTER MOUNT CHANNEL	1
2	15F2700	CASTER ASSEMBLY	2
3	15L20137	AXLE MOUNT ANGLE	4
4	15L20136	BRACE	2
5	150586	½ - 20 NYLOK NUT	34
6	150567	½ - 20 X 1 ½ LG CS	12
7	150255	½ WASHER	20
8	150323	½ - 20 X 4 ½ LG CS	4
9	150635	½ - 20 X 1 ¼ LG CS	8



APPENDIX I

Declaration of Conformity



Clyde Machines, Inc.
1150 North State Highway 55, Glenwood, MN 56334 USA

EC Conformity Audit Worksheet

In Accordance with EN ISO 17050-1:2004

In accordance with 2006/42/EC The Machinery Directive

Equipment.....

Model Number.....

Ref. No.	Title	Edition/date	Chk'd
Annex I, Point 1.1.2.	Principals of Safety Integration	09.06.2006	___
Annex I, Point 1.1.3.	Materials and Products	09.06.2006	___
Annex I, Point 1.1.5.	Design of machinery To Facilitate its handing	09.06.2006	___
Annex I, Point 1.3.1.	Stability	09.06.2006	___
Annex I, Point 1.3.2.	Risk of break-up during operation	09.06.2006	___
Annex I, Point 1.3.4.	Risks due to surfaces, edges or angles	09.06.2006	___
Annex I, Point 1.3.7.	Prevention of risks related to moving parts	09.06.2006	___
Annex I, Point 1.5.4.	Errors of fitting	09.06.2006	___
Annex I, Point 1.7.	Indicators	09.06.2006	___

NOTES: _____

Audit Conducted by

Done at 1150 North State Hwy 55, Glenwood MN, 56334 USA

Date