

**Models: 04-6046-0100
PC-12 & PC-24 Battery Lift**

08/2022 – Rev. 03

**For Spare Parts, Operations & Service Manuals or Service Needs
Scan the QR code or visit Tronair.com/aftermarket**



REVISION	DATE	TEXT AFFECTED
01	09/2014	Original release
02	06/2015	Major revision
03	08/2022	Corrected capacity in 1.4 Specifications

TABLE OF CONTENTS**PAGE**

1.0	PRODUCT INFORMATION	1
1.1	DESCRIPTION.....	1
1.2	MODEL & SERIAL NUMBER.....	1
1.3	MANUFACTURER.....	1
1.4	SPECIFICATIONS	1
2.0	SAFETY INFORMATION.....	1
2.1	USAGE AND SAFETY INFORMATION.....	1
3.0	PREPARATION PRIOR TO FIRST USE	1
3.1	ASSEMBLY INSTRUCTIONS.....	1
4.0	TRAINING.....	1
4.1	TRAINING REQUIREMENTS	1
4.2	OPERATOR TRAINING.....	1
5.0	OPERATION.....	2
5.1	TO RAISE BATTERY.....	2
5.2	TO LOWER BATTERY	2
5.3	FILLING THE RESERVOIR	2
6.0	PROVISION OF SPARES.....	2
6.1	SPARE PARTS.....	2
6.2	PARTS LISTS & ILLUSTRATIONS.....	2
7.0	IN-SERVICE SUPPORT.....	2
8.0	GUARANTEES/LIMITATION OF LIABILITY	3

This product can not be modified without the written approval of Tronair, Inc. Any modifications done without written approval voids all warranties and releases Tronair, Inc., its suppliers, distributors, employees, or financial institutions from any liability from consequences that may occur. Only Tronair OEM replacement parts shall be used.

1.0 PRODUCT INFORMATION

1.1 DESCRIPTION

This Tronair Battery Lift, Model 04-6046-0100, is designed to aid in the installation and removal of batteries in the Falcon 900 aircraft.

1.2 MODEL & SERIAL NUMBER

Reference nameplate on unit

1.3 MANUFACTURER

TRONAIR, Inc.
1 Air Cargo Pkwy East
Swanton, Ohio 43558 USA

Telephone: (419) 866-6301 or 800-426-6301
Fax: (419) 867-0634
E-mail: sales@tronair.com
Website: www.tronair.com

1.4 SPECIFICATIONS

Capacity 100 lbs (45 kg) Maximum (Vertical Lift)
Height, Collapsed 38 ¼ in (97.2 cm)
Height, Extended 61 ¾ in (155.9 cm)
Weight, Net 100 lbs (45.4 kg)

2.0 SAFETY INFORMATION

2.1 USAGE AND SAFETY INFORMATION

To insure safe operations please read the following statements and understand their meaning. Also refer to your equipment manufacturer's manual for other important safety information. This manual contains safety precautions which are explained below. Please read carefully.



WARNING! — Warning is used to indicate the presence of a hazard that **can cause severe personal injury, death, or substantial property damage** if the warning notice is ignored.

CAUTION! — Caution is used to indicate the presence of a hazard that **will or can cause minor personal injury or property damage** if the caution notice is ignored.

3.0 PREPARATION PRIOR TO FIRST USE

3.1 ASSEMBLY INSTRUCTIONS

(Reference Parts List Illustration)

1. Attach pump/cylinder assembly (Item 5) to base weldment (Item 1) using the four (4) five-sixteenths inch (5/16") bolts, stopnuts and washers (Items 6, 7, 8) supplied. Torque bolts to 15 ft-lbs.
2. Attach table assembly to the ram using set screw (Item 4).
3. Assure all bolts and stopnuts are securely fastened before operating.

4.0 TRAINING

4.1 TRAINING REQUIREMENTS

The employer of the operator is responsible for providing a training program sufficient for the safe operation of the unit.

4.2 OPERATOR TRAINING

The operator training should provide the required training for safe operation of the unit.

NOTE: Maintenance and Trouble Shooting are to be performed by a skilled and trained technician.

5.0 OPERATION

(Reference Parts List Illustration)



CAUTION!

Operator injury and/or battery damage can result.

- Do not transport batteries on this battery lift.
- This battery lift is designed to only lift or lower batteries at aircraft.

5.1 TO RAISE BATTERY

1. Place battery lift on hard level surface.
2. Open vent screw
3. Close pump release valve and operate pump.

5.2 TO LOWER BATTERY

1. Loosen pump release valve slightly to slowly lower aircraft.
2. Close vent screw



CAUTION!

Battery damage and/or operator injury could result if release valve is depressed too quickly.

5.3 FILLING THE RESERVOIR

1. Remove reservoir vent screw.
2. Open release valve.
3. Fill reservoir with hydraulic oil MIL-H-5606 approximately one inch (1") from top.
4. Pump foot pedal rapidly with release foot pedal depressed to exhaust any air in system.
5. Repeat above instructions if plunger fails to advance.

6.0 PROVISION OF SPARES

6.1 SPARE PARTS

Spare parts may be obtained from the manufacturer:

TRONAIR, Inc.
1 Air Cargo Pkwy East
Swanton, Ohio 43558 USA

Telephone: (419) 866-6301 or 800-426-6301
Fax: (419) 867-0634
E-mail: sales@tronair.com
Website: www.tronair.com

For Spare Parts, Operations & Service Manuals or Service Needs:
Scan the QR code or visit Tronair.com/aftermarket

6.2 PARTS LISTS & ILLUSTRATIONS

Reference the following pages for Replacement Parts and Kits available.

7.0 IN-SERVICE SUPPORT

Contact Tronair for technical services and information.



8.0 GUARANTEES/LIMITATION OF LIABILITY

Tronair products are warranted to be free of manufacturing or material defects for a period of one year after shipment to the original customer. This is solely limited to the repair or replacement of defective components. This warranty does not cover the following items:

- a) Parts required for normal maintenance
- b) Parts covered by a component manufacturers warranty
- c) Replacement parts have a 90-day warranty from date of shipment

If you have a problem that may require service, contact Tronair immediately. Do not attempt to repair or disassemble a product without first contacting Tronair, any action may affect warranty coverage. When you contact Tronair be prepared to provide the following information:

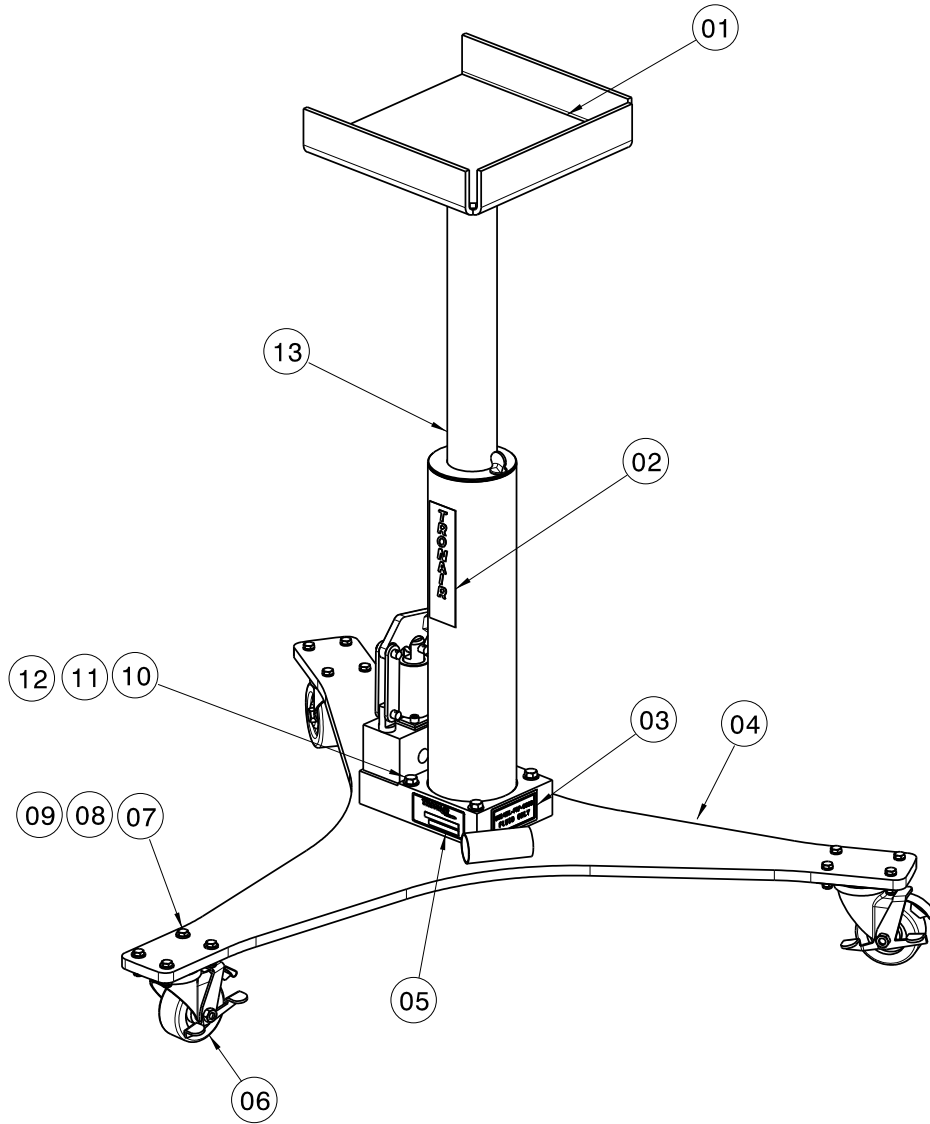
- a) Product Model Number
- b) Product Serial Number
- c) Description of the problem

If warranty coverage is approved, either replacement parts will be sent or the product will have to be returned to Tronair for repairs. If the product is to be returned, a Return Material Authorization (RMA) number will be issued for reference purposes on any shipping documents. Failure to obtain a RMA in advance of returning an item will result in a service fee. A decision on the extent of warranty coverage on returned products is reserved pending inspection at Tronair. Any shipments to Tronair must be shipped freight prepaid. Freight costs on shipments to customers will be paid by Tronair on any warranty claims only. Any unauthorized modification of the Tronair products or use of the Tronair products in violation of cautions and warnings in any manual (including updates) or safety bulletins published or delivered by Tronair will immediately void any warranty, express or implied.

The obligations of Tronair expressly stated herein are in lieu of all other warranties or conditions expressed or implied. **Any unauthorized modification of the Tronair products or use of the Tronair products in violations of cautions and warnings in any manual (including updates) or safety bulletins published or delivered by Tronair will immediately void any warranty, express or implied and Tronair disclaims any and all liability for injury (WITHOUT LIMITATION and including DEATH), loss or damage arising from or relating to such misuse.**

Parts List

When ordering replacement parts/kits, please specify model, serial number and color of your unit.



Item	Part Number	Description	Qty
1	Z-8515	Assembly, Top Plate	1
2	V-1198	Label, Tronair	1
3	V-1102	Label, MIL-PRF-5606	1
4	Z-8746-01	Weldment, Battery Lift Base	1
5	V-1003	Label, Serial Number	1
6	U-1115	Caster, Swivel w/Wheel Lock	3
7	G-1202-1055	Stopnut, ¼ - 28 Elastic	12
8	G-1255-05	Flatwasher, ¼ AN	12
9	G-1100-105510	Bolt, Hex Head, Grade 5, ¼ - 28	12
10	G-1250-1060N	Flatwasher, 5/16 Narrow	8
11	G-1202-1060	Stopnut, 5/16 - 18 Elastic	4
12	G-1100-106026	Bolt, Hex Head, Grade 5, 5/16 - 18	4
13	Z-8488	Assembly, Hydraulic	1
N/S	V-2573	Label, Max Capacity 100 lbs	1