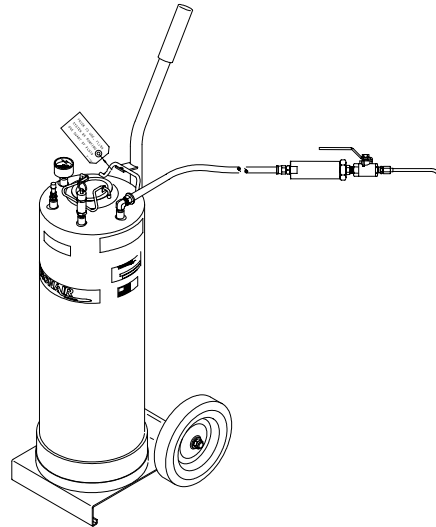




Operation & Service Manual



**Model: 06-5010-6500
Fluid Service Unit
(Mineral Base Fluids)**

02/2004 – AD – Rev. 14

Includes Illustrated Parts List

Tronair, Inc.

*1740 Eber Road
Holland, Ohio 43528-9794
USA*

Telephone: (419) 866-6301 • 800-426-6301

Fax: (419) 867-0634

Web Site: www.tronair.com E-mail: sales@tronair.com

06-5010-6500
Fluid Service Unit
(Mineral Base Fluids)

TABLE OF CONTENTS

	<u>PAGE</u>
1.0 Description.....	1
2.0 Specifications	1
3.0 Features	1
4.0 Preparations For Use	1
5.0 Operating Instructions	1
6.0 Maintenance	2
7.0 Parts List.....	2
Parts List.....	3
APPENDIX I Instrument Certification Notice	

**06-5010-6500
Fluid Service Unit
(Mineral Base Fluids)**

Revision	Date	Text Affected
Rev. 13	01/07/2004	Major Revision
Rev.14	02/2004	pg 4 Modified Item 5

**06-5010-6500
Fluid Service Unit
(Mineral Base Fluids)**

This product can not be modified without the written approval of Tronair, Inc. Any modifications done without written approval voids all warranties and releases Tronair, Inc., its suppliers, distributors, employees, or financial institutions from any liability from consequences that may occur.

1.0 DESCRIPTION

Tronair Fluid Service Unit is a mobile unit designed to provide a source of clean, pressurized fluid for remotely servicing reservoirs and other maintenance functions. This unit will retain enough air pressure for proper operation for an eight hour period. Thereafter, recharging may be required.

2.0 SPECIFICATIONS

Model Number:	Fluid:
06-5010-6500	MIL-H-5606
MIL-PRF-83282	

Maximum Pressure: 125 psi (8.6 bar)

Filter: 2 micron

Dimensions:

Length	16-3/4 in (42.5 cm)
Width	13-7/8 in (35 cm)
Height	44-1/8 in (42.8 cm)
Weight	44 lbs (19.8 kg)

Capacity: 6 gallons (22.7 liters)

3.0 FEATURES

- 15 ft (4.6 m) hose
- Large filtered fill port
- Inline filter

4.0 PREPARATIONS FOR USE

The unit is shipped fully assembled, and only the following steps are required to make it operational

***NOTE:** Apply appropriate fluid label to top of reservoir near fill opening.*



CAUTION!

Only use the type of fluid for which the unit is designed. Using other fluids will cause contamination and seal deterioration.

1. Remove the fill cap and fill reservoir

5.0 OPERATING INSTRUCTIONS



CAUTION!

Do not use on closed hydraulic systems.

To use your Fluid Service Unit, follow the steps below:

1. Open ball valve on hose end to deflate pressure from vessel.
2. Close ball valve on hose end.
3. Fill vessel with proper hydraulic fluid.
4. Attach air supply hose to air valve.
5. Pressurize vessel to 85 psig (6 bar) maximum and remove air supply hose from air valve.
6. Transfer hydraulic fluid by opening needle valve on hose end.

TRONAIR

02/2004 – AD – Rev. 14

**06-5010-6500
Fluid Service Unit
(Mineral Base Fluids)**

6.0 MAINTENANCE

6.1 FILTER

The filter is of a non-bypass design. This means that if the filter becomes clogged, no fluid will pass to the aircraft. If this happens, replace filter element.

Element replacement schedule should be based on usage and actual fluid samples. For units with low usage, element should be changed at least once annually.

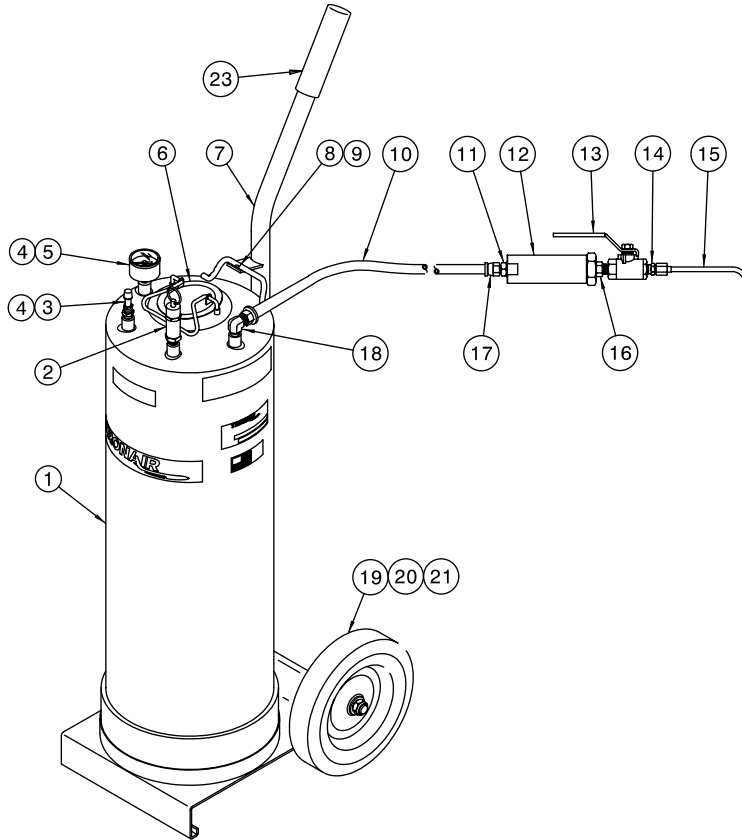
7.0 PARTS LIST

Reference Page 3-4 for ordering information of Replacement Parts and Kits.

**06-5010-6500
Fluid Service Unit
(Mineral Base Fluids)**

Parts List

When ordering Replacement Parts/Kits, please specify Model and Serial Number of your product.



REPLACEMENT PARTS

ITEM	PART NUMBER	DESCRIPTION	QTY
1	H-1218	Vessel, Pressure	1
2	PC-1017-02-125	Safety Valve (125 psi/9 bars)	1
3	H-1221	Air Valve	1
4	N-2210-02-S	Reducer, Pipe Thread	2
5	HC-1831	Certified Pressure Gauge (0-160 psi/11 bars)	1
6	HC-1400	Closure O-ring	1
7	Z-1325-04	Weldment, Cart	1
8	G-1159-103504	Screw, Round Head	1
9	G-1202-1035	Stopnut, Elastic	1
10	TF-1047-01*180	Hose, Push-on (15 ft/4.57 m)	1
11	N-2007-05-S-B	Straight Thread Connector	1
12	HC-2141	Assembly, Inline Filter (VITON)	1
	K-3659	Element Kit	1
13	HC-1425-01	Ball Valve	1
14	N-2009-04-S	Male Connector	1
15	HC-1149	Tube Assembly	1
16	N-2214-03-S-B	Straight Thread Connector	1
17	N-2026-01-S	Swivel, 37° JIC	2
18	N-2005-04	Elbow, Male	1
19	G-1250-1090N	Flatwasher	4
20	G-1203-1095	Jamnut, Elastic	2
21	U-1001-01	Wheel	2
22	H-1223	Grip, Handle	1





APPENDIX I

**Instrument
Certification
Notice**



Instrument Certification Notice

The gauge Certificates of Calibration supplied for the gauge(s) on this unit contain the calibration data for the actual instrument calibrated, along with the calibration date of the **STANDARD** used to perform the calibration check.

The due date for re-calibration of the instrument should be based upon the date the instrument was placed in service in your facility. Re-calibration should be done on a periodic basis as dictated by the end user's quality system or other overriding requirements.

Note that Tronair, Inc. does not supply certificates of calibration on flow meters or pyrometers unless requested at the time of placed order. These instruments are considered reference indicators only and are not critical to the test(s) being performed on the aircraft.

Tronair, Inc.

1740 Eber Road

Holland, Ohio 43528-9794

Phone: (419) 866-6301 ! 800-426-6301

Fax: (419) 867-0634

Web Site: www.tronair.com E-mail Address: sales@tronair.com