

**Models: 06-5020 Series  
Reservoir Servicing Unit**

08/2009 - Rev. 12

REVISION  
12

DATE  
08/2009

TEXT AFFECTED  
Revised External Components Illustrations and Parts List

**TABLE OF CONTENTS****PAGE**

<b>1.0</b>	<b>GENERAL DESCRIPTION .....</b>	<b>3</b>
<b>2.0</b>	<b>SPECIFICATIONS .....</b>	<b>3</b>
<b>3.0</b>	<b>FEATURES .....</b>	<b>3</b>
<b>4.0</b>	<b>PREPARATION FOR USE .....</b>	<b>3</b>
<b>5.0</b>	<b>OPERATION .....</b>	<b>3</b>
<b>6.0</b>	<b>MAINTENANCE .....</b>	<b>4</b>
6.1	TIRES .....	4
6.2	FILTERS .....	4
6.3	SERVICE .....	4
<b>7.0</b>	<b>GUARANTEES/LIMITATION OF LIABILITY .....</b>	<b>4</b>

This product can not be modified without the written approval of Tronair, Inc. Any modifications done without written approval voids all warranties and releases Tronair, Inc., its suppliers, distributors, employees, or financial institutions from any liability from consequences that may occur. Only Tronair OEM replacement parts shall be used.

### 1.0 GENERAL DESCRIPTION

The Tronair Reservoir Service Unit is a compact unit primarily designed to provide a source of clean fluid for filling reservoirs. It is not intended for performing any pressure testing tasks. A unique feature is that the unit pumps fluid directly from standard five (5/18.9 lt) gallon containers.

### 2.0 SPECIFICATIONS

<b>Model Number:</b>	<b>Fluid:</b>
06-5020-1500	MIL-PRF-5606/83282
06-5020-1800	MIL-L-23699/MIL-PRF-87257
06-5020-3600	Skydrol/Hyjet
06-5020-8600	Skydrol/Hyjet
<b>Maximum Pressure:</b>	150 psi (10.3 bar)
<b>Filter:</b>	2 Micron
<b>Dimensions:</b>	Height: 38 in (89 cm)
	Width: 29 in (73.7 cm)
	Length: 35 in (114.3 cm)
<b>Weight:</b>	250 lbs (113.4 kg)
<b>Pump Displacement:</b>	7.8 cubic inch/stroke (127.82 cc/stroke)
<b>Hoses:</b>	15 foot (4.6 m)
<b>Maximum Towing Speed:</b>	10 mph (16.1 k/hr)
<b>Finish:</b>	Painted, Desert Sand

### 3.0 FEATURES

- Pickup tube fits all standard 5 gal (18.9 liter) cans
- Replaceable filter element
- Pneumatic tires

### 4.0 PREPARATION FOR USE

The unit is shipped fully assembled and only the following steps are required to make it operational:

1. Set 5 gal (18.9 liter) cans of fluid inside the unit and lock in place with slide lock.

**NOTE: On 06-5020-1500 Units Only: Apply appropriate fluid level to inside of lid.**



#### CAUTION!

**Only use the type of fluid for which the unit is designed. Using other fluids will cause contamination and seal deterioration.**

2. Remove the cap and seal from one container, pull out plastic spout, and insert pickup tube into the neck. Screw down the fitting to form a snug fit.
3. Operate hand pump several times to fill line and purge air. Install coupling at hose end if applicable.

### 5.0 OPERATION

#### To Use the Unit:

1. Make sure pickup tube is completely tightened down.
2. Securely attach hose to aircraft.
3. Operate pump handle at a slow to moderate pace with even pressure.

**NOTES:**

1. *It is not necessary to operate pump rapidly. The pump moves a large volume of oil per stroke and will fill a reservoir much faster than standard pumps.*
2. *A slow movement of the pump handle with a steady pressure works best.*

#### When Service Has Been Completed:

1. Disconnect hose from aircraft.
2. Replace protective cap on hose end to prevent dirt ingestion.

## 6.0 MAINTENANCE

### 6.1 TIRES

Maintain 45 – 50 psi (3.1 – 4.4 bar) tire pressure.

### 6.2 FILTERS

Main filter is of a non-bypass design. This means that, if either filter becomes clogged, no fluid will pass to the aircraft and a high handle force will result. If this happens, service the filter. **Do Not** force the pump handle as damage to unit components could result.

### 6.3 SERVICE

The 2 micron main filter inside the unit is of a throw-away design and is not cleanable.

## 7.0 GUARANTEES/LIMITATION OF LIABILITY

Tronair products are warranted to be free of manufacturing or material defects for a period of one year after shipment to the original customer. This is solely limited to the repair or replacement of defective components. This warranty does not cover the following items:

- a) Parts required for normal maintenance
- b) Parts covered by a component manufacturers warranty
- c) Replacement parts have a 90-day warranty from date of shipment

If you have a problem that may require service, contact Tronair immediately. Do not attempt to repair or disassemble a product without first contacting Tronair, any action may affect warranty coverage. When you contact Tronair be prepared to provide the following information:

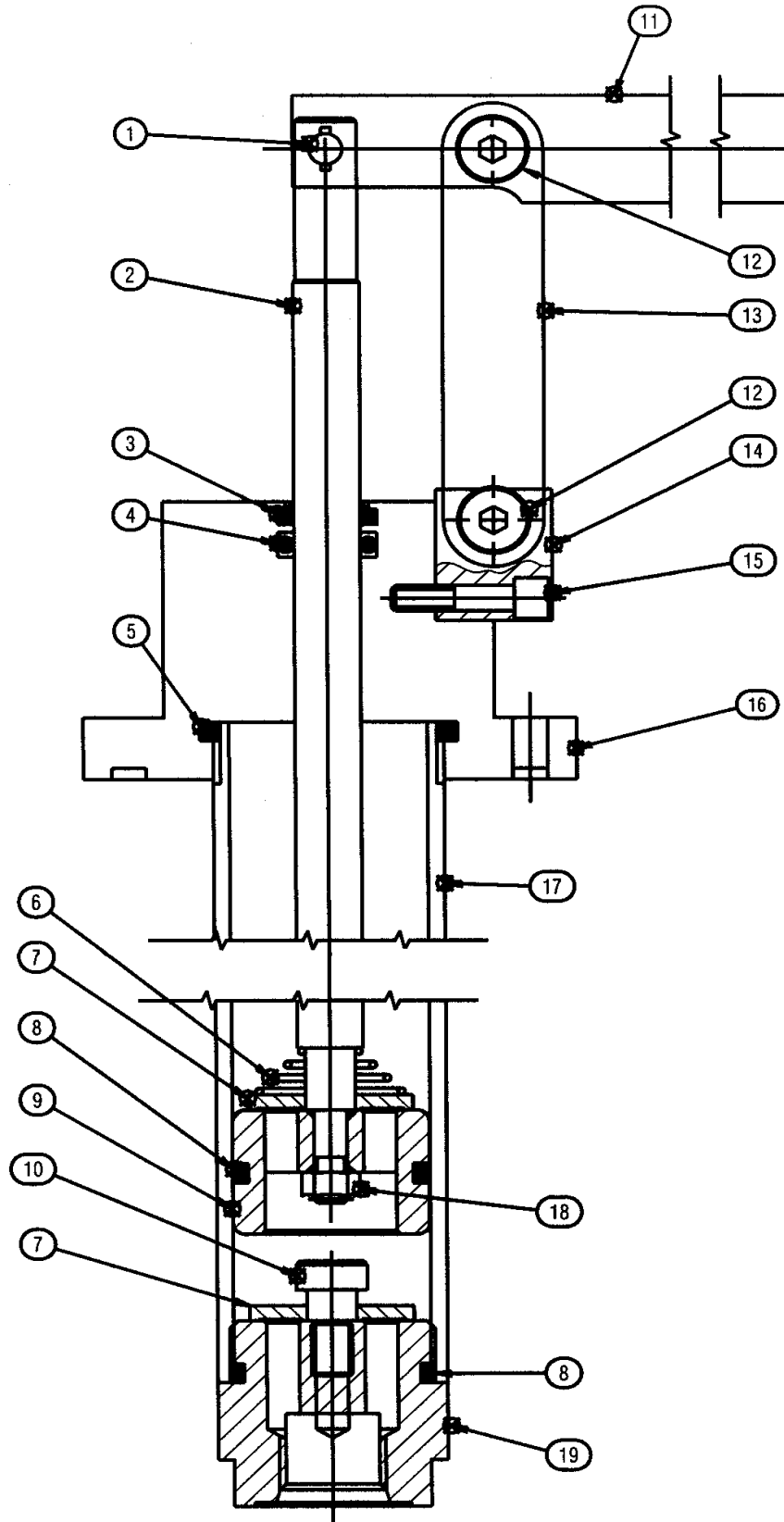
- a) Product Model Number
- b) Product Serial Number
- c) Description of the problem

If warranty coverage is approved, either replacement parts will be sent or the product will have to be returned to Tronair for repairs. If the product is to be returned, a Return Material Authorization (RMA) number will be issued for reference purposes on any shipping documents. Failure to obtain a RMA in advance of returning an item will result in a service fee. A decision on the extent of warranty coverage on returned products is reserved pending inspection at Tronair. Any shipments to Tronair must be shipped freight prepaid. Freight costs on shipments to customers will be paid by Tronair on any warranty claims only. Any unauthorized modification of the Tronair products or use of the Tronair products in violation of cautions and warnings in any manual (including updates) or safety bulletins published or delivered by Tronair will immediately void any warranty, express or implied.

The obligations of Tronair expressly stated herein are in lieu of all other warranties or conditions expressed or implied. **Any unauthorized modification of the Tronair products or use of the Tronair products in violations of cautions and warnings in any manual (including updates) or safety bulletins published or delivered by Tronair will immediately void any warranty, express or implied and Tronair disclaims any and all liability for injury (WITHOUT LIMITATION and including DEATH), loss or damage arising from or relating to such misuse.**

**HC-2252/HC-2172/HC-2173 Hand Pump Section View**

When ordering replacement parts/kits, please specify model, serial number and color of your unit.



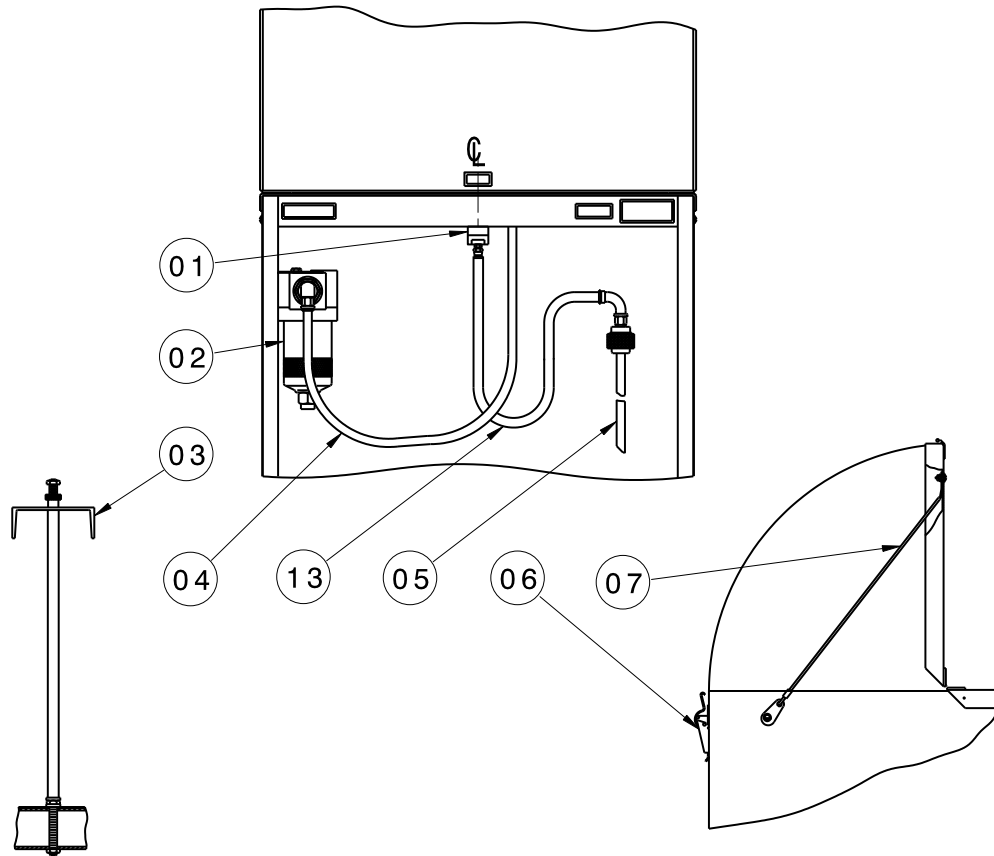
## Parts List

When ordering replacement parts/kits, please specify model, serial number and color of your unit.

Item	Part Number	Description	Qty
2	CXD-020046-004	Piston Rod	1
6	CENT-TA-2098	Spring	1
7	CXD-020004-006	Flapper	2
9	CDX-020004-005	Piston	1
10	09-AHDF-06-18 x 04	Shoulder Screw	1
14	CXD-020004-009	Mounting Block	1
15	09-ADDF-0J-32 x 14	Socket Head Cap Screw	1
16	CXD-020046-002	Cap & Mounting Flange	1
17	CXD-020046-003	Tube	1
18	08-ADFH-04-28	Prevailing Locknut	1
19	CXD-020046-001	End Cap, Blind End	1
	<b>HK-3717</b>	<b>Kit, Handle Replacement; consists of:</b>	1
1		Pin Linkage Assembly	1
11		Pump Handle	1
12		Pin Linkage Assembly	2
13		Strap	2
<b>HC-2173 (Phosphate Ester, Type IV Fluid)</b>			
	<b>HK-3720</b>	<b>Kit, Pump Seal Replacement; consists of:</b>	1
3		Wiper, EPR	1
4		O-ring, EPR	1
5		O-ring, EPR	1
8		O-ring, EPR	2
<b>HC-2252 (MIL-L-23699, MIL-PRF-87257)</b>			
	<b>K-3834</b>	<b>Kit, Pump Seal Replacement; consists of:</b>	1
3		Wiper, VITON	1
4		O-ring, VITON	1
5		O-ring, VITON	1
8		O-ring, VITON	2
<b>HC-2172 (MIL-PRF-5606, MIL-PRF-83282)</b>			
	<b>HK-3719</b>	<b>Kit, Pump; consists of:</b>	1
3		Wiper, BUNA	1
4		O-ring, BUNA	1
5		O-ring, BUNA	1
8		O-ring, BUNA	2

## Internal Components Illustration

When ordering replacement parts/kits, please specify model, serial number and color of your unit.



Item		Part Number	Description	Qty
1	Phosphate Ester	HC-2173	Hand Pump	1
	Phosphate Ester	HK-3720	Kit, Pump Seal	1
	MIL-PRF-5606/MIL-PRF-83282	HC-2172	Hand Pump	1
	MIL-PRF-5606/MIL-PRF-83282	HK-3719	Kit, Pump Seal	1
	MIL-L-23699/MIL-PRF-87257	HC-2252	Hand Pump	1
	MIL-L-23699/MIL-PRF-87257	K-3834	Kit, Pump Seal	1
2	Phosphate Ester	HC-1480	Assembly, Filter	1
	MIL-PRF-5606/MIL-PRF-83282	HC-1481	Assembly, Filter	1
	MIL-L-23699/MIL-PRF-87257	HC-1826	Assembly, Filter	1
3		<b>K-1766</b>	<b>Kit, Hold Down Assembly; consists of:</b>	
		G-1203-1070	Jamnut, 3/8-16 Elastic	1
		H-1648	Knob, Knurled	1
		M-1045	Hold Down	1
4	Phosphate Ester	TF-1067-01*40.0	Assembly, Hose	1
	MIL-PRF-5606/MIL-PRF-83282	TF-1047-04*40.0	Assembly, Hose	1
	MIL-L-23699/MIL-PRF-87257	TF-1105-06*40.0	Assembly, Hose	1
		N-2026-03-B	Fitting, Swivel	2
5		Z-2031	Assembly, Pickup Tube	1



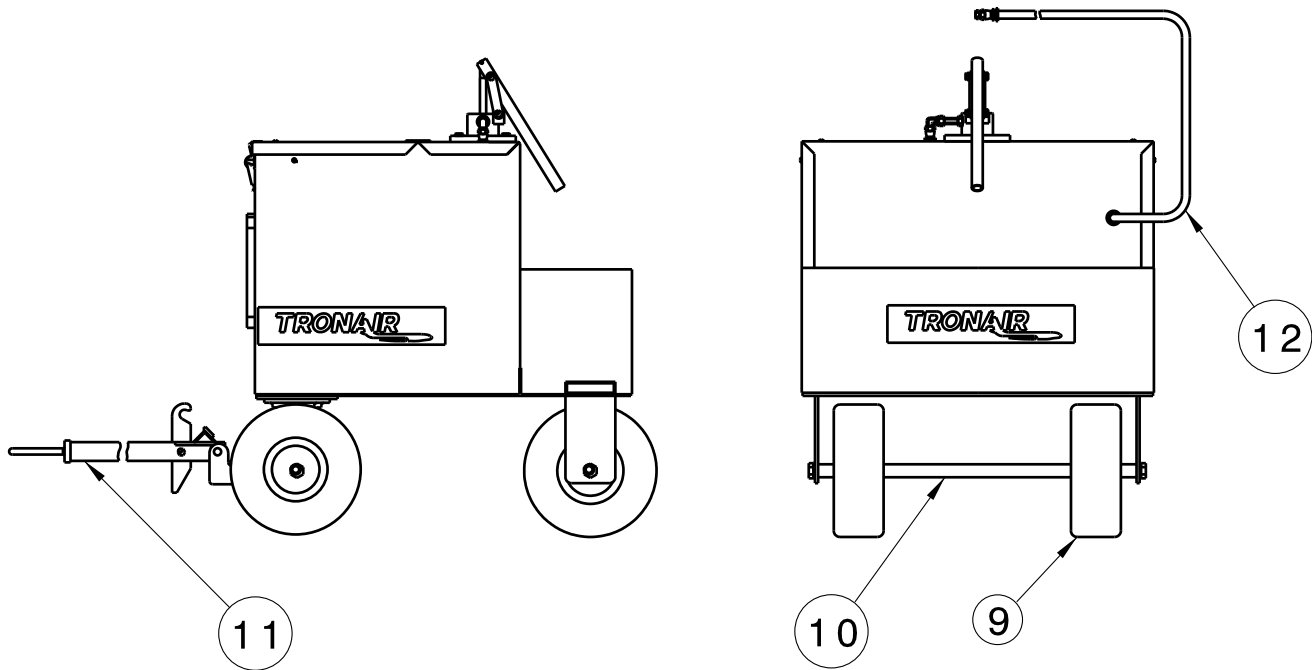
### Internal Components Illustration

When ordering replacement parts/kits, please specify model, serial number and color of your unit.

Item		Part Number	Description	Qty
6		<b>K-1768</b>	<b>Kit, Latch; consists of:</b>	
		H-1646	Strike, Right Angle	1
		H-1647	Clamp	1
7		<b>K-1767</b>	<b>Kit, Lanyard Assembly; consists of:</b>	
		G-1159-103504	Screw, #10-32, Round Head Cross Recess	4
		G-1202-1035	Stopnut, #10-32 Elastic	4
		G-1250-1070N	Flatwasher, 3/8 Narrow	4
		Z-1597*18.0	Assembly, Lanyard	2
12	Phosphate Ester	TF-1067-01*180	Assembly, Hose	1
	MIL-PRF-5606/MIL-PRF-83282	TF-1047-05*180	Assembly, Hose	1
	MIL-L-23699/MIL-PRF-87257	TF-1105-08*180	Assembly Hose	1
		N-2026-03-S	Fitting, Elbow	2
13	Phosphate Ester	TF-1067-03*36.0	Assembly, Hose	1
	MIL-PRF-5606/MIL-PRF-83282	TF-1047-05*36.0	Assembly, Hose	1
	MIL-L-23699/MIL-PRF-87257	TF-1105-08*36.0	Assembly Hose	1
		N-2500-03	Fitting, Swivel	1
		N-2026-05-B	Fitting, Elbow	1
N/S		N-2052-06	Tube, Expander	1

## External Components

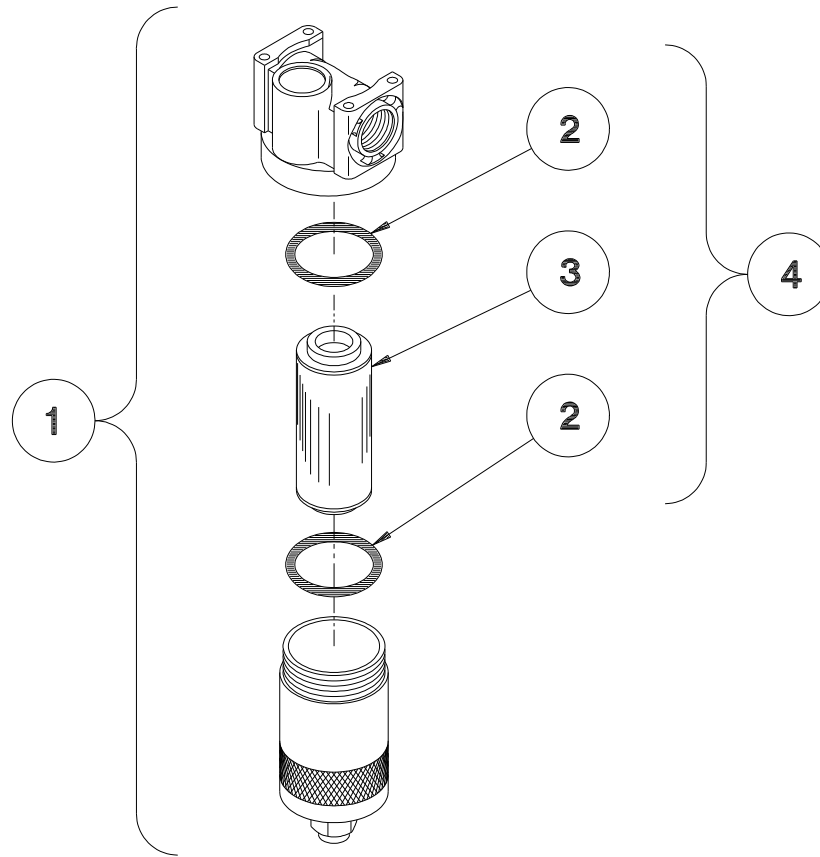
When ordering replacement parts/kits, please specify model, serial number and color of your unit.



Item	Part Number	Description	Qty
9	<b>K-1550</b>	<b>Kit, Wheel (Single); consists of:</b>	
	G-1203-1115	Jamnut, 3/4-16 Elastic	1
	G-1250-1110N	Flatwasher, 3/4 Narrow	1
	TR-1585	Spacer, Wheel	1
	U-1027	Wheel, Pneumatic Tire	1
10	<b>K-1765</b>	<b>Kit, Axle; consists of:</b>	
	G-1203-1115	Jamnut, 3/4-16 Elastic	1
	G-1250-1110N	Flatwasher, 3/4 Narrow	1
	R-1292	Axle	1
11	Z-2036	Weldment, Tongue	1

**Filter Assembly**

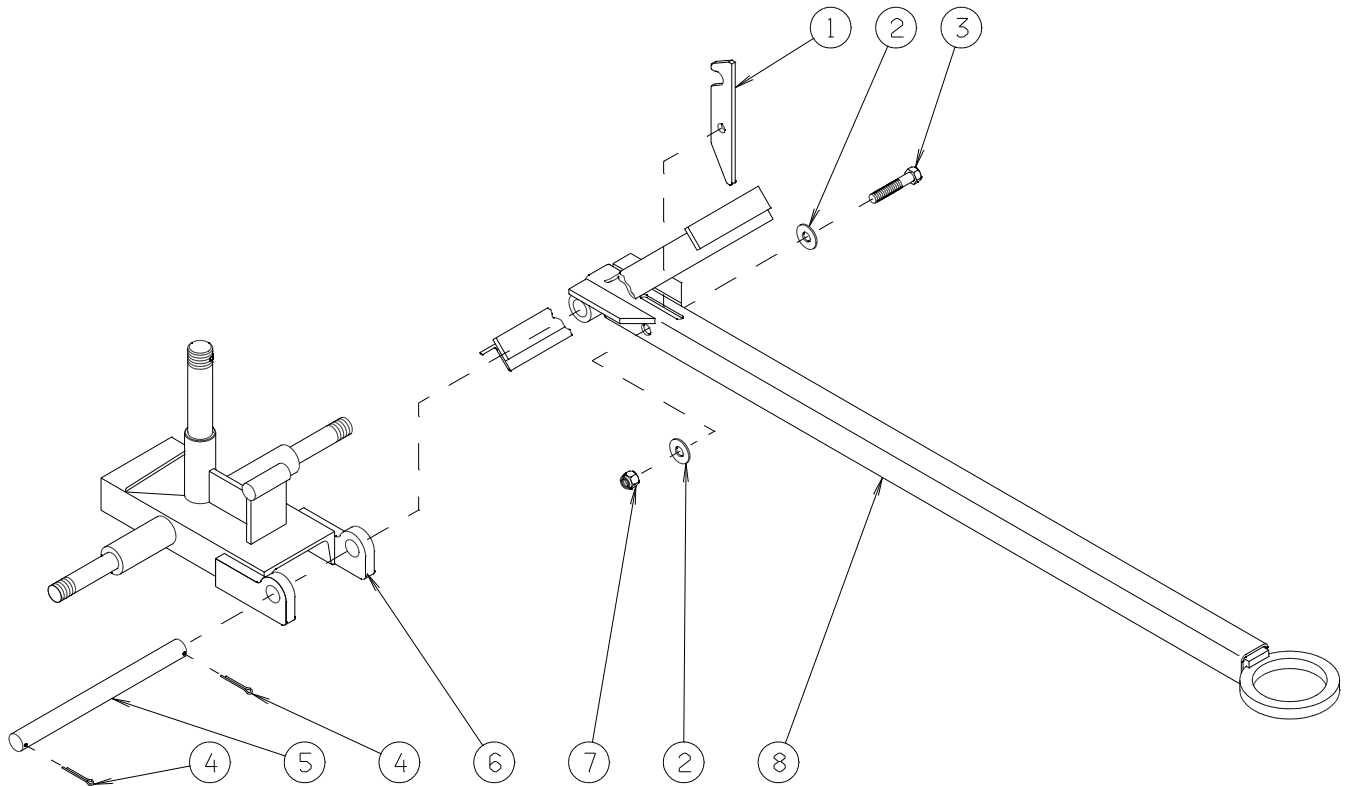
When ordering replacement parts/kits, please specify model, serial number and color of your unit.



Item	Fluid	Part Number	Description	Qty
1	MIL-PRF-5606/MIL-PRF-83282	HC-1481	Assembly, Filter	1
	MIL-L-23699/MIL-PRF-87257	HC-1826	Assembly, Filter	1
	Phosphate Ester	HC-1480	Assembly, Filter	1
2	ALL Mineral Base	HC-2007-142	O-Ring, Series 2 (VITON)	2
	Phosphate Ester	HC-2006-142	O-Ring, Series 2 (EPR)	2
3	ALL Mineral Base	HC-1482	Element, Filter	1
	Phosphate Ester	HC-1483	Element, Filter	1
4	ALL Mineral Base	K-3098	Kit, Filter Element	1
	Phosphate Ester	K-3099	Kit, Filter Element	1

## Towbar Assembly

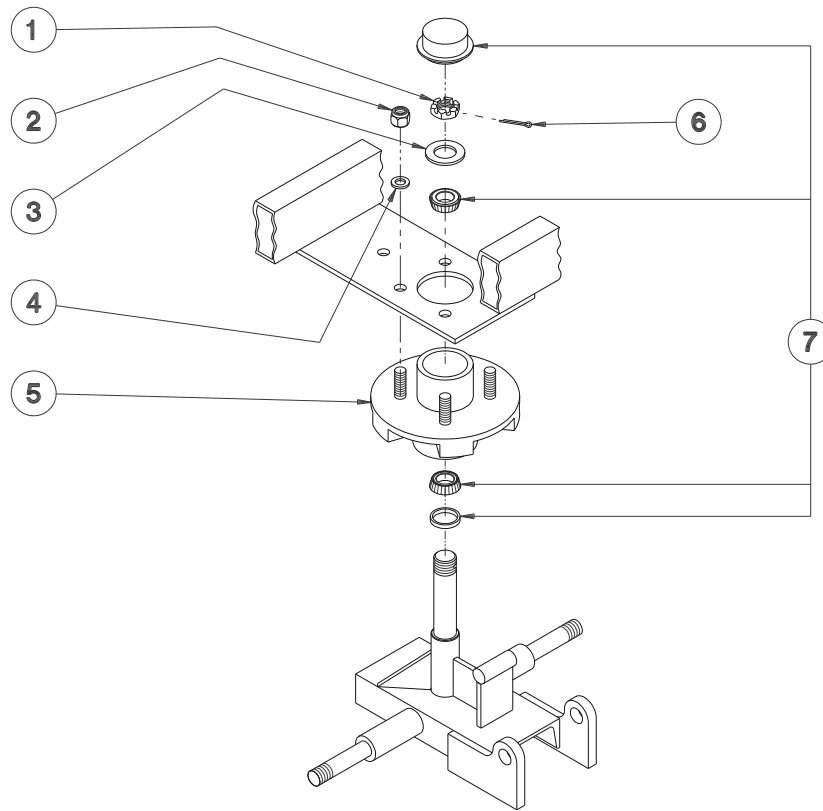
When ordering replacement parts/kits, please specify model, serial number and color of your unit.



Item	Part Number	Description	Qty
6	Z-2037	Weldment, Truck	1
8	Z-2036	Weldment, Tongue	1
	<b>K-1249</b>	<b>Kit, Towbar Pin Replacement; consists of:</b>	
4	G-1301-03	Pin, 1/8 diameter x 1-1/2" long	2
5	R-1122	Pin	1
	<b>K-1320</b>	<b>Kit, Locking Lever Replacement; consists of:</b>	
1	J-1626	Lever	1
2	G-1250-1090N	Flatwasher, 1/2 Narrow	2
3	G-1100-109522	Bolt, Hex Head, Grade 5, 1/2-20 x 2-1/4" long	1
7	G-1202-1095	Stopnut, 1/2-20 Elastic	1

**Truck Assembly**

When ordering replacement parts/kits, please specify model, serial number and color of your unit.



Item	Part Number	Description	Qty
3	G-1283	Spindle Washer	1
	<b>K-1253</b>	<b>Kit, Hub Bearing and Seal; consists of:</b>	
7	G-1301-03	Pin, Cotter	1
	G-1561-05	Seal, Grease	1
	H-1155-01	Cap, Dust	1
	H-1559-01	Bearings	2
	<b>K-1255</b>	<b>Kit, Hub Assembly; consists of:</b>	
1	G-1230-01	Nut, Axle	1
2	G-1202-1095	Stopnut, 1/2-20 Elastic	4
4	G-1250-1090N	Flatwasher, 1/2 Narrow	4
5	H-1335	Hub, Idler	1
6	G-1301-03	Pin, Cotter	1