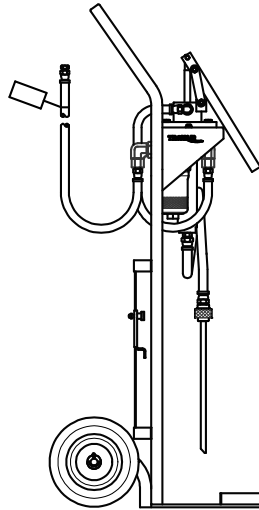




Operation & Service Manual



**Model: 06-5021 Series-SP
06T5021 Series-SP
Fluid Servicing Unit**



08/2008 - Rev. 15

Includes Illustrated Parts List

Tronair, Inc.

*1740 Eber Road
Holland, Ohio 43528-9794
USA*

Telephone: (419) 866-6301 • 800-426-6301

Fax: (419) 867-0634

Web Site: www.tronair.com E-mail: sales@tronair.com

Model: 06-5021 Series-SP & 06T5021 Series-SP
Fluid Servicing Unit

TABLE OF CONTENTS

PAGE

1.0	GENERAL DESCRIPTION.....	1
2.0	SPECIFICATIONS.....	1
3.0	FEATURES	1
4.0	PREPARATION FOR USE.....	1
5.0	OPERATION	1
6.0	MAINTENANCE	2
6.1	TIRES.....	2
6.2	FILTERS	2
7.0	TOTALIZER OPTION.....	2
8.0	GUARANTEES/LIMITATION OF LIABILITY	2

APPENDIX I Declaration of Conformity

**Model: 06-5021 Series-SP & 06T5021 Series-SP
Fluid Servicing Unit**

Revision	Date	Text Affected
13	01/2004	Cover: Replace "Reservoir" with "Fluid" pg 1 Specifications: Added 06-5021-1800 Preparation for Use: added 1800 to note pg 3 Modified items 1,6,7 & 8 pg 6 Modified item 1 and 2 Added "All" in front of "Mineral Base" fluid descriptions
14	12/2004	pg 1 2.0 modified dimensions pg 5 Modified HC-2156 Added pages 7 and 8
15	08/2008	Added CE mark and Appendix I – Declaration of Conformity

**Model: 06-5021 Series & 06T5021 Series
Fluid Servicing Unit**

This product can not be modified without the written approval of Tronair, Inc. Any modifications done without written approval voids all warranties and releases Tronair, Inc., its suppliers, distributors, employees, or financial institutions from any liability from consequences that may occur.

1.0 GENERAL DESCRIPTION

The Fluid Reservoir Service Unit is a compact unit primarily designed to provide a source of clean fluid for filling reservoirs. It is not intended for performing any pressure testing tasks. A unique feature is that the unit pumps fluid directly from standard 5 gallon containers.

2.0 SPECIFICATIONS

Fluid: 06-5021-1500 and 06T5021-1500 MIL-H-5606, MIL-PRF-83282,
06-5021-3600 and 06T5021-3600 Aviation Phosphate Ester, Type IV
06-5021-1800 MIL-L-23699, MIL-PRF-87257

Maximum Pressure: 200 psi (13.8 bars)

Filter: 2 Micron

Dimensions:

Width: 21 in (53.4 cm)

Length: 19 1/8 in (48.39 cm)

Height: 45 1/2 in (116.8 cm)

Weight: 45 lbs (20.4 kg)

Pump Displacement: 4.4 cubic in/stroke (72.1 cc/stroke)

3.0 FEATURES

- X 15 ft (4.6 m) hose
- X Pickup tube fits all standard five gal (18.9 lt) containers
- X 2 micron main filter

4.0 PREPARATION FOR USE

The unit is shipped fully assembled, and only the following steps are required to make it operational:

1. Set 5 gallon can of fluid inside the ring and lock in place with slide lock.

NOTE: On 06-5021-1500 and 1800: Apply appropriate fluid label on top of hand pump platform.



CAUTION!

Only use the type of fluid for which the unit is designed. Using other fluids will cause contamination and seal deterioration.

2. Remove the cap and seal from the container, pull out plastic spout, and insert pickup tube into the neck. Screw down the fitting to form a snug fit.
3. Operate hand pump several times to fill line and purge air. Install coupling at hose end if applicable.

5.0 OPERATION

To Use the Unit:

1. Make sure pickup tube is completely tightened down.
2. Securely attach hose to aircraft.
3. Operate pump handle at a slow to moderate pace with even pressure.

- NOTES:**
1. *It is not necessary to operate pump rapidly. The pump moves a large volume of oil per stroke and will fill a reservoir much faster than standard pumps.*
 2. *A slow movement of the pump handle with a steady pressure works best.*

When Service Has Been Completed:

1. Disconnect hose from aircraft.
2. Replace protective cap on hose end to prevent dirt ingestion.

TRONAIR

08/2008 - Rev. 15

**Model: 06-5021 Series & 06T5021 Series
Fluid Servicing Unit**

6.0 MAINTENANCE

6.1 TIRES

Maintain 45 to 50 psi (3.1 to 4.4 bar) tire pressure.

6.2 FILTERS

The filter is of a non-bypass design. This means that, if filter becomes clogged, no fluid will pass to the aircraft **and** a high handle force will result. If this happens, service the filter. **Do not force** the pump handle, as damage to unit components could result. The 2 micron main filter element is of a throw-away design and is **not cleanable**. Refer to Page 6 for replacement filter element kit.

7.0 TOTALIZER OPTION

The Totalizer indicates amount of fluid dispersed. After each use, the pointer must to reset to zero for an accurate reading during next use. Refer to Parts List for replacement parts.

8.0 GUARANTEES/LIMITATION OF LIABILITY

Tronair products are warranted to be free of manufacturing or material defects for a period of one year after shipment to the original customer. This is solely limited to the repair or replacement of defective components. This warranty does not cover the following items:

- a) Parts required for normal maintenance
- b) Parts covered by a component manufacturers warranty
- c) Replacement parts have a 90-day warranty from date of shipment

If you have a problem that may require service, contact Tronair immediately. Do not attempt to repair or disassemble a product without first contacting Tronair, any action may affect warranty coverage. When you contact Tronair be prepared to provide the following information:

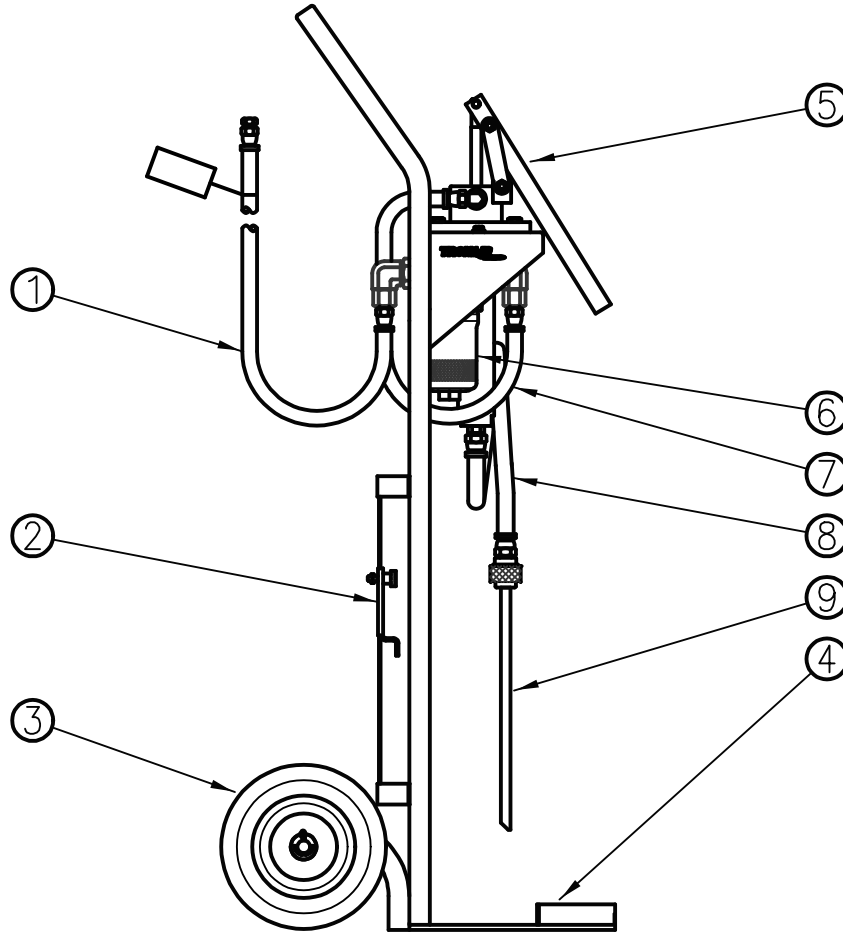
- a) Product Model Number
- b) Product Serial Number
- c) Description of the problem

If warranty coverage is approved, either replacement parts will be sent or the product will have to be returned to Tronair for repairs. If the product is to be returned, a Return Material Authorization (RMA) number will be issued for reference purposes on any shipping documents. Failure to obtain a RMA in advance of returning an item will result in a service fee. A decision on the extent of warranty coverage on returned products is reserved pending inspection at Tronair. Any shipments to Tronair must be shipped freight prepaid. Freight costs on shipments to customers will be paid by Tronair on any warranty claims only. Any unauthorized modification of the Tronair products or use of the Tronair products in violation of cautions and warnings in any manual (including updates) or safety bulletins published or delivered by Tronair will immediately void any warranty, express or implied.

The obligations of Tronair expressly stated herein are in lieu of all other warranties or conditions expressed or implied. **Any unauthorized modification of the Tronair products or use of the Tronair products in violations of cautions and warnings in any manual (including updates) or safety bulletins published or delivered by Tronair will immediately void any warranty, express or implied and Tronair disclaims any and all liability for injury (WITHOUT LIMITATION and including DEATH), loss or damage arising from or relating to such misuse.**

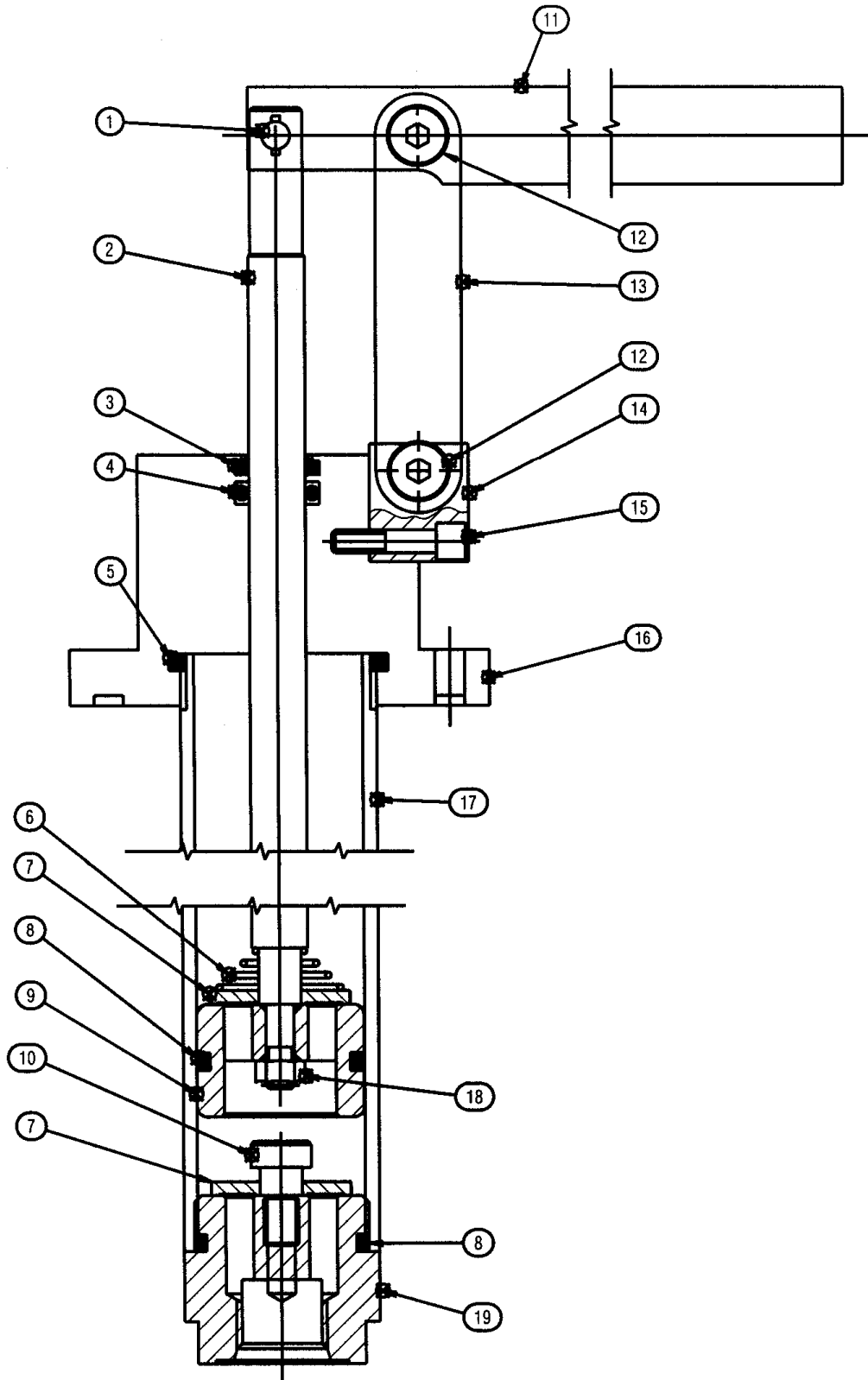
Parts List

When ordering Replacement Parts/Kits, please specify
Model, Serial Number & Paint Color of your product.



ITEM	FLUID	PART NUMBER	DESCRIPTION	QTY
1.....	MIL-H-5606 / MIL-PRF-83282	TF-1105-06*180.....	External Hose	1
.....	Phosphate Ester	TF-1134-01*180.....	External Hose	1
.....	MIL-L-23699 / MIL-PRF-87257	TF-1105-06*36.0.....	External Hose	1
2.....	N/A	K-1780	Kit, Hold Down Assembly	1
3.....	N/A	K-2082	Kit, Wheel	2
4.....	N/A	Z-2033-sp.....	Weldment, Hand Truck.....	1
5.....	<i>Reference HC-2171 & HC-2157 Hand Pump Parts Lists on Pages 4 – 5.....</i>			
6.....	MIL-H-5606/MIL-PRF-83282	HC-1826.....	Assembly, Filter	1
.....	Phosphate Ester	HC-1480.....	Assembly, Filter	1
.....	MIL-L-23699/MIL-PRF-87257	HC-1826.....	Assembly, Filter	1
7.....	MIL-H-5606/MIL-PRF-83282	TF-1047-04*20.0.....	Assembly, Hose.....	1
.....	Phosphate Ester	TF-1134-01*26.0.....	Assembly, Hose.....	1
.....	MIL-L-23699/MIL-PRF-87257	TF-1105-08*20.0.....	Assembly, Hose.....	1
8.....	MIL-H-5606/MIL-PRF-83282	TF-1047-05*36.0.....	Assembly, Hose.....	1
.....	Phosphate Ester	TF-1067-02*36.0.....	Assembly, Hose.....	1
.....	MIL-L-23699/MIL-PRF-87257	TF-1105-08*36.0.....	External Hose	1
9.....	N/A	Z-2031	Assembly, Pickup Tube.....	1
Not Shown	N/A	N-2052-06	Expander, Tube.....	1

HC-2156/HC-2157/ HC-2171 Hand Pump

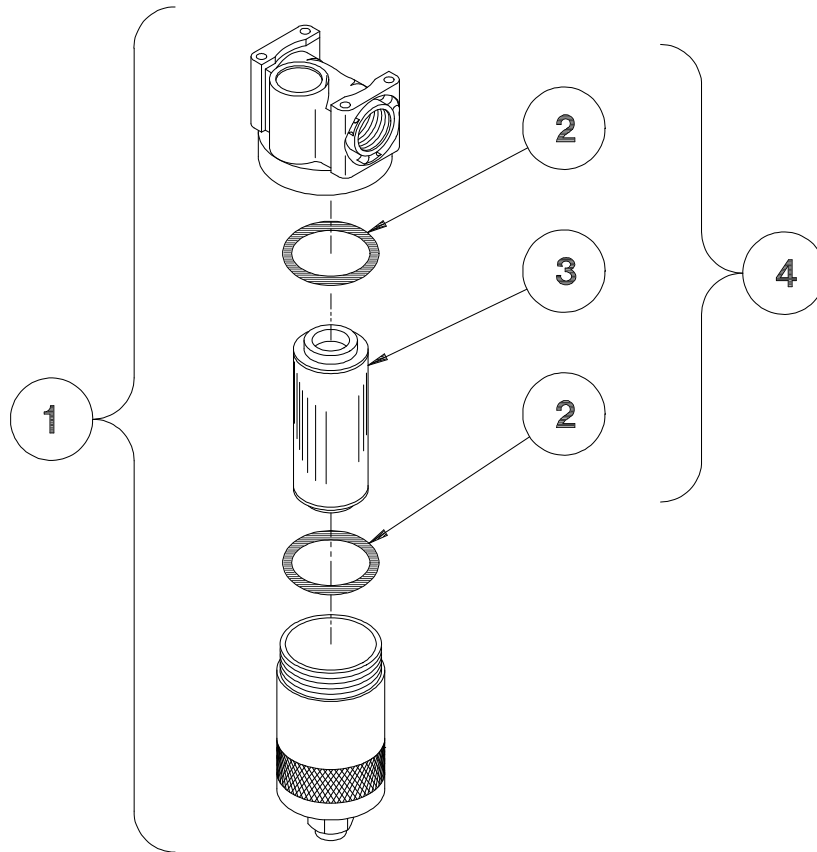


Parts List

When ordering Replacement Parts/Kits, please specify
Model, Serial Number & Paint Color of your product.

ITEM	PART NUMBER	DESCRIPTION	QTY
2.....	CXD-020004-004.....	Piston Rod.....	1
6.....	CENT-TA-2098.....	Spring.....	1
7.....	CXD-020004-006.....	Flapper.....	2
9.....	CXD-020004-055.....	Piston.....	1
10.....	09-AHDF-06-18 x 04.....	Shoulder Screw.....	1
13.....	512-000.....	Strap.....	2
14.....	CXD-020004-009.....	Mounting Block.....	1
15.....	09-ADDF-OJ-32 x 14.....	Socket Head Cap Screw.....	1
16.....	CXD-020004-002.....	Cap & Mounting Flange.....	1
17.....	CXD-020004-003.....	Tube.....	1
18.....	08-ADFH-04-28.....	Prevailing Locknut.....	1
19.....	CXD-020004-001.....	End Cap, Blind End.....	1
	HK-3717	Kit, Handle Replacement; consists of:	1
1.....		Pin Linkage Assembly.....	1
11.....		Pump Handle.....	1
12.....		Pin Linkage Assembly.....	2
	HC-2156 (MIL-Z-5606, MIL-PRF-83282)		
	HK-3682	Kit, Pump Seal Replacement; consists of:	1
3.....		O-ring, Mineral Base.....	1
4.....		O-ring, Mineral Base.....	1
5.....		O-ring, Mineral Base.....	1
8.....		O-ring, Mineral Base.....	2
	HC-2157 (Phosphate Ester, Type IV Fluid)		
	HK-3683	Kit, Pump Seal Replacement; consists of:	1
3.....		Wiper, EPR.....	1
4.....		O-ring, EPR.....	1
5.....		O-ring, EPR.....	1
8.....		O-ring, EPR.....	2
	HC-2171 (MIL-L-23699, MIL-PRF-87257)		
	HK-3715	Kit, Pump Seal Replacement; consists of:	1
3.....		Wiper, Viton.....	1
4.....		O-ring, Viton.....	1
5.....		O-ring, Viton.....	1
8.....		O-ring, Viton.....	2

Filter Assembly



ITEM	FLUID	PART NUMBER	DESCRIPTION	QTY
1	MIL-H-5606/MIL-PRF-83282	HC-1826	Assembly, Filter	1
	Phosphate Ester	HC-1480	Assembly, Filter	1
	MIL-L-23699/MIL-PRF-87257	HC-1826	Assembly, Filter	1
3	All Mineral Base	HC-1482	Element, Filter	1
	Phosphate Ester	HC-1483	Element, Filter	1

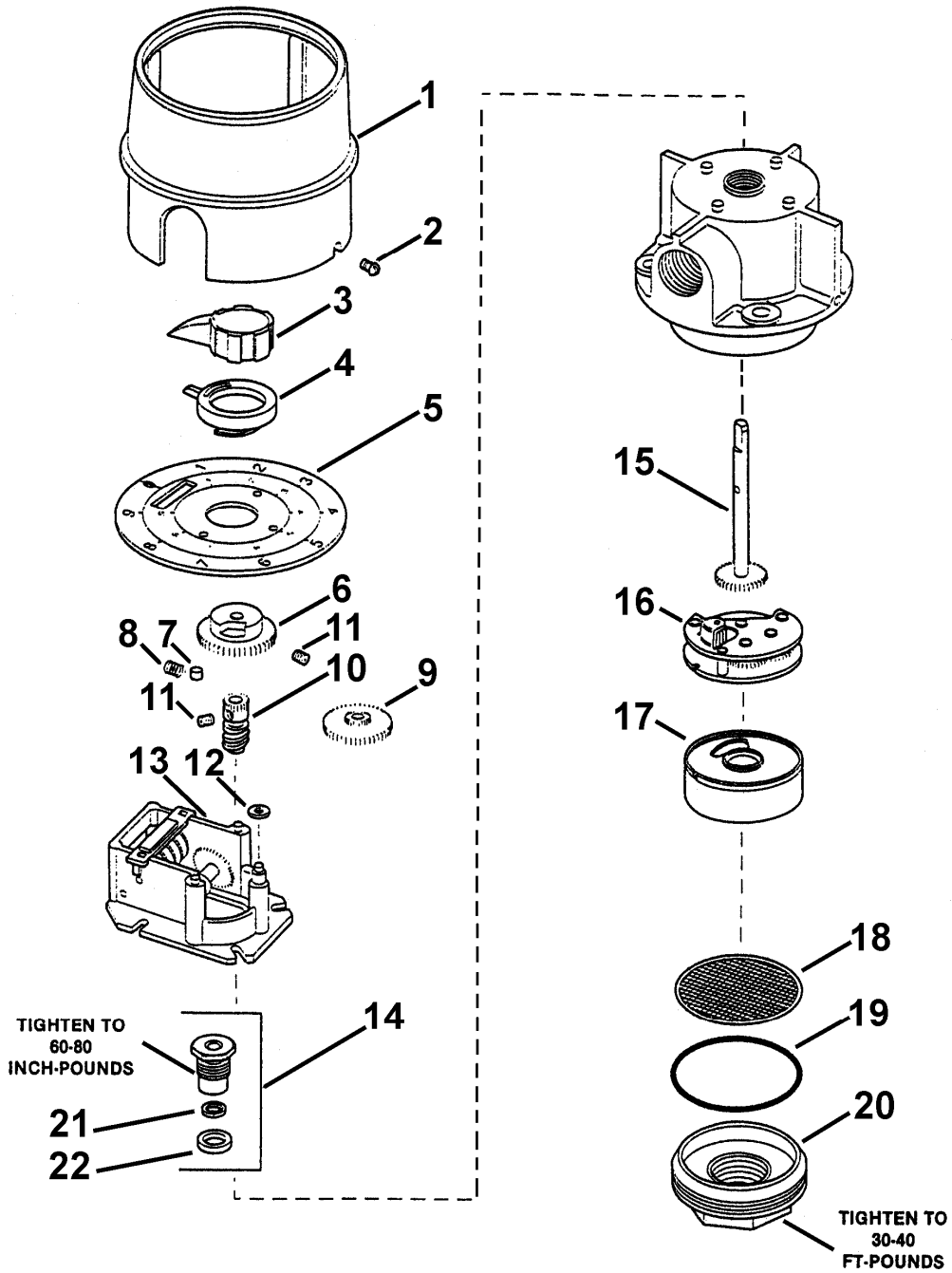
Filter Replacement Parts

ITEM	FLUID	PART NUMBER	DESCRIPTION	QTY
2	All Mineral Base	HC-2007-142	O-Ring, Series 2 (VITON)	2
	Phosphate Ester	HC-2006-142	O-Ring, Series 2 (EPR)	2
4	All Mineral Base	K-3098	Kit, Filter Element	1
	Phosphate Ester	K-3099	Kit, Filter Element	1

Parts List

Totalizer Option

When ordering Replacement Parts/Kits, please specify
Model, Serial Number & Paint Color of your product.



Parts List

Totalizer Option

When ordering Replacement Parts/Kits, please specify Model & Serial Number of your product.

HC-1680 (MIL-H-5606, MIL-PRF-83282)

Totalizer Meter

HC-1681 (Phosphate Ester)

Totalizer Meter

HC-2197 (MIL-H-23699, MIL-PRF-87257)

Totalizer Meter

Fluids

Item	Description	MIL-H-5606 MIL-PRF-83282	Phosphate Ester	MIL-L-23699 MIL-PRF-87257
1	Shroud	66871-13	66871-13	66871-13
2	Screw	66871-5 (2)	66871-5 (2)	66871-5 (2)
3	Knob Assembly	242912	242912	242912
4	Pointer	66871-53	66871-53	66871-53
5	Dial Assembly	68410-26	68410-26	68410-26
6	Cam	66871-50	66871-50	66871-50
7	Clutch Roller	66871-4	66871-4	66871-4
8	Spring	66871-3	66871-3	66871-3
9	Gear	66871-17	66871-17	66871-17
10	Worm	66871-54	66871-54	66871-54
11	Set Screw	50541 (2)	50541 (2)	50541 (2)
12	Spacer	69304-23	69304-23	69304-23
13	Totalizer	69795-3	69795-3	69795-3
14	Packing Gland Kit	237388	N/A	N/A
15	Spindel	66871-11	66871-11	66871-11
16	Gear Train Assembly	66871-136	66871-136	66871-136
17	Chamber Assembly	66871-25	66871-25	66871-25
18	Screen	66871-92	66871-92	66871-92
19	O-Ring	66871-12	HC-2006-223	HC-2007-223
20	Housing Cap	41204	41204	41204
21	O-Ring	N/A	HC-2006-008	HC-2007-008
22	O-Ring	N/A	HC-2006-001	HC-2007-001



APPENDIX I

**Declaration
Of
Conformity**



DECLARATION of CONFORMITY

Fluid Servicing Unit
06-5021 Series SP
06T5021 Series SP

Relevant provisions complied with by the machinery:
98/37/EC

Identification of person empowered to sign on behalf of the manufacturer:

A handwritten signature in black ink that reads "David L. Kiehl". The signature is written in a cursive style and is positioned above a horizontal line.

Quality Assurance Representative

Tronair, Inc.

1740 Eber Road
Holland, Ohio 43528-9794
USA

Telephone: (419) 866-6301 • 800-426-6301

Fax: (419) 867-0634

Web Site: www.tronair.com E-mail: sales@tronair.com