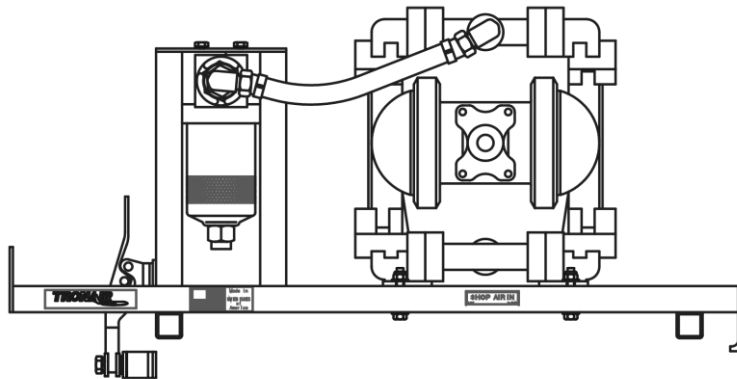


ORIGINAL INSTRUCTIONS



Model: 06-5024-Series
06-5024-3300, 06-5024-3510, 06-5024-3610, 06-5024-3800
Barrel Pump



09/2023 - Rev. 02

For Spare Parts, Operations & Service Manuals or Service Needs
Scan the QR code or visit Tronair.com/aftermarket



REVISION	DATE	TEXT AFFECTED
01	11/2014	Original release
02	09/2023	Major revision, CE Marked

TABLE OF CONTENTS

	<u>PAGE</u>
1.0 PRODUCT INFORMATION	1
1.1 DESCRIPTION.....	1
1.2 MODEL & SERIAL NUMBER.....	1
1.3 MANUFACTURER.....	1
1.4 SPECIFICATIONS	1
1.5 FEATURES.....	1
2.0 SAFETY INFORMATION.....	2
2.1 USAGE AND SAFETY INFORMATION.....	2
2.2 PERSONAL PROTECTION EQUIPMENT.....	2
3.0 TRAINING.....	2
3.1 TRAINING REQUIREMENTS	2
3.2 TRAINING PROGRAM	2
3.3 OPERATOR TRAINING.....	2
4.0 PREPARATION FOR USE	2
5.0 OPERATION.....	2
6.0 MAINTENANCE.....	3
6.1 FILTER.....	3
6.2 SERVICE	3
6.3 TROUBLE SHOOTING	3
7.0 PROVISION OF SPARES.....	3
7.1 SOURCE OF SPARE PARTS.....	3
7.2 RECOMMENDED SPARE PARTS LISTS	3
8.0 IN SERVICE SUPPORT.....	3
9.0 GUARANTEES/LIMITATION OF LIABILITY	4
10.0 APPENDICES.....	4

This product can not be modified without the written approval of Tronair, Inc. Any modifications done without written approval voids all warranties and releases Tronair, Inc., its suppliers, distributors, employees, or financial institutions from any liability from consequences that may occur. Only Tronair OEM replacement parts shall be used.

1.0 PRODUCT INFORMATION

1.1 DESCRIPTION

The Tronair Barrel Pump is a compact unit that utilizes compressed (shop) air to transfer primarily clean fluid from a barrel to a reservoir. It is not intended for performing any pressure testing tasks.

1.2 MODEL & SERIAL NUMBER

Reference nameplate on unit

1.3 MANUFACTURER

TRONAIR, Inc.
1 Air Cargo Pkwy East
Swanton, Ohio 43558 USA

Telephone: (419) 866-6301 or 800-426-6301
Fax: (419) 867-0634
E-mail: sales@tronair.com
Website: www.tronair.com

1.4 SPECIFICATIONS

Dimensions:

Length 28.25 in (71.8 cm)
Width 9 in (22.9 cm)
Height 15 in (38.1 cm) High
Weight 29 lbs (13.2 kg)

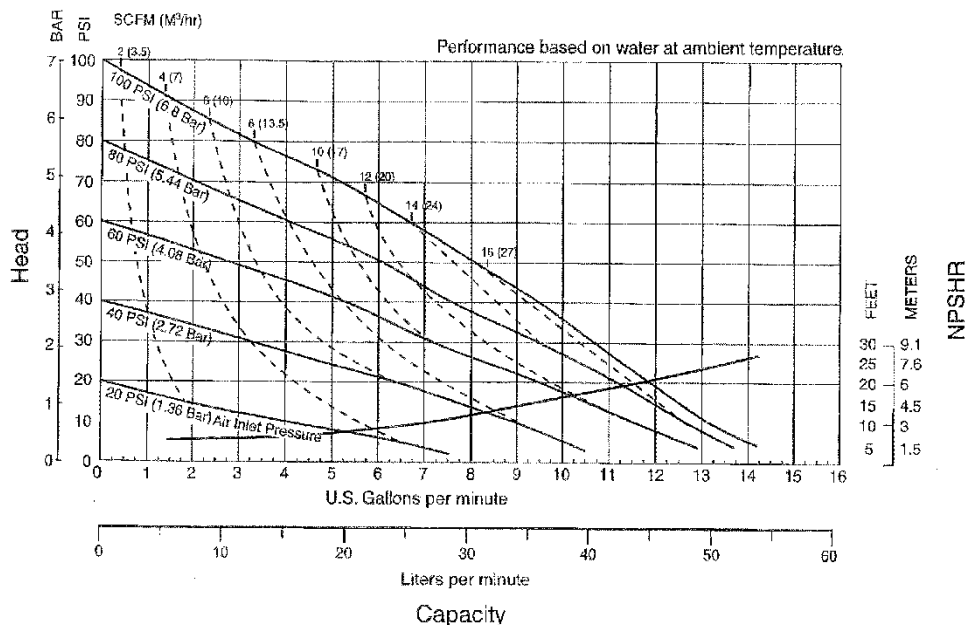
Filter 2 Micron

Maximum Air Supply Pressure 100 psi (6.9 bar)

Fluid:

06-5024-3300 HyJet V
06-5024-3510 MIL-PRF-5606, MIL-PRF-83282
06-5024-3610 Skydrol
06-5024-3800 MIL-L-23699, MIL-PRF-87257

Pump Displacement: See Performance Curve below



1.5 FEATURES

- 15 ft (4.6 m) discharge hose
- Securely attaches to top of barrel
- 2 micron fluid filter
- Pick-up tube with filtered breather, directly screws into top of barrel

2.0 SAFETY INFORMATION

2.1 USAGE AND SAFETY INFORMATION

To ensure safe operations please read the following statements and understand their meaning. Also refer to your equipment manufacturer's manual for other important safety information. This manual contains safety precautions which are explained below. Please read carefully.



WARNING! — Warning is used to indicate the presence of a hazard that **can cause severe personal injury, death, or substantial property damage** if the warning notice is ignored.

CAUTION! — Caution is used to indicate the presence of a hazard that **will or can cause minor personal injury or property damage** if the caution notice is ignored.

2.2 PERSONAL PROTECTION EQUIPMENT

- Tronair recommends the use of safety glasses and ear protection while using this equipment
- Refer to the Safety Data Sheet of the fluid being used for additional safety precautions

3.0 TRAINING

3.1 TRAINING REQUIREMENTS

The employer of the operator is responsible for providing a training program sufficient for the safe operation of the unit.

3.2 TRAINING PROGRAM

The employer provided operator training program should cover safety procedures concerning use of the unit in and around the intended aircraft at the intended aircraft servicing location.

3.3 OPERATOR TRAINING

The operator training should provide the required training for safe operation of the unit.

NOTE: Maintenance and Trouble Shooting are to be performed by a skilled and trained technician.

4.0 PREPARATION FOR USE

The unit is shipped fully assembled, and only the following steps are required to make it operational:

NOTE: On 06-5024-3800 and 06-5024-3510 units, apply appropriate fluid label to barrel pump frame.



CAUTION!

Only use the type of fluid for which the unit is designed. Using other fluids will cause contamination and seal deterioration.

1. Attach unit to top of barrel. Ensure that the attachment is secure to prevent unwanted contamination.
2. Screw pick-up tube into barrel.
3. Connect pump to pick-up tube via quick disconnect coupling.
4. Verify hand valve is closed.
5. Connect shop air to inlet port (maximum line pressure 100 psi/6.9 bar). Tronair recommends the use of customer supplied quick disconnect fitting.



CAUTION!

Unit will start pumping when pressurized air is applied to the pump. Close hand valve to prevent discharge of fluid.

5.0 OPERATION

To Use the Barrel Pump:

1. Securely attach hose to reservoir
2. Open hand valve to dispense fluid to the reservoir

When Service Has Been Completed:

1. Turn hand valve to closed position
2. Disconnect hose from reservoir
3. Replace protective cap on hose end to prevent dirt ingestion
4. Disconnect air supply

6.0 MAINTENANCE

6.1 FILTER

The filter is of a non-bypass design. This means if the filter becomes clogged, no fluid will pass to the reservoir. If this happens, service the filter. **Do not increase input pressure.**

6.2 SERVICE

The main filter is replaceable and should be serviced annually unless otherwise noted.

6.3 TROUBLE SHOOTING

Reference Appendix I - Lincoln Pump Service & Operating Manual

7.0 PROVISION OF SPARES

7.1 SOURCE OF SPARE PARTS

Spare parts may be obtained from the manufacturer:

TRONAIR , Inc.	Telephone: (419) 866-6301 or 800-426-6301
1 Air Cargo Pkwy East	Fax: (419) 867-0634
Swanton, Ohio 43558 USA	E-mail: sales@tronair.com
	Website: www.tronair.com



For Spare Parts, Operations & Service Manuals or Service Needs:
Scan the QR code or visit Tronair.com/aftermarket

Recommended Spares to be kept on hand:

06-5024-3300 06-5024-3610	06-5024-3510 06-5024-3800	Description	Qty
HC-1480	HC-1481	ASSEMBLY, FILTER	1
HK-3711	HK-3709	KIT, PUMP SEAL REPAIR	2
HK-3710	HK-3710	KIT, AIR END REPAIR	

7.2 RECOMMENDED SPARE PARTS LISTS

Reference the following pages for Replacement Parts and Kits available.

8.0 IN SERVICE SUPPORT

Contact Tronair, Inc. for technical services and information. See Section 1.3 – Manufacturer.

9.0 GUARANTEES/LIMITATION OF LIABILITY

Tronair products are warranted to be free of manufacturing or material defects for a period of one year after shipment to the original customer. This is solely limited to the repair or replacement of defective components. This warranty does not cover the following items:

- a) Parts required for normal maintenance
- b) Parts covered by a component manufacturers warranty
- c) Replacement parts have a 90-day warranty from date of shipment

If you have a problem that may require service, contact Tronair immediately. Do not attempt to repair or disassemble a product without first contacting Tronair, any action may affect warranty coverage. When you contact Tronair be prepared to provide the following information:

- a) Product Model Number
- b) Product Serial Number
- c) Description of the problem

If warranty coverage is approved, either replacement parts will be sent or the product will have to be returned to Tronair for repairs. If the product is to be returned, a Return Material Authorization (RMA) number will be issued for reference purposes on any shipping documents. Failure to obtain a RMA in advance of returning an item will result in a service fee. A decision on the extent of warranty coverage on returned products is reserved pending inspection at Tronair. Any shipments to Tronair must be shipped freight prepaid. Freight costs on shipments to customers will be paid by Tronair on any warranty claims only. Any unauthorized modification of the Tronair products or use of the Tronair products in violation of cautions and warnings in any manual (including updates) or safety bulletins published or delivered by Tronair will immediately void any warranty, express or implied.

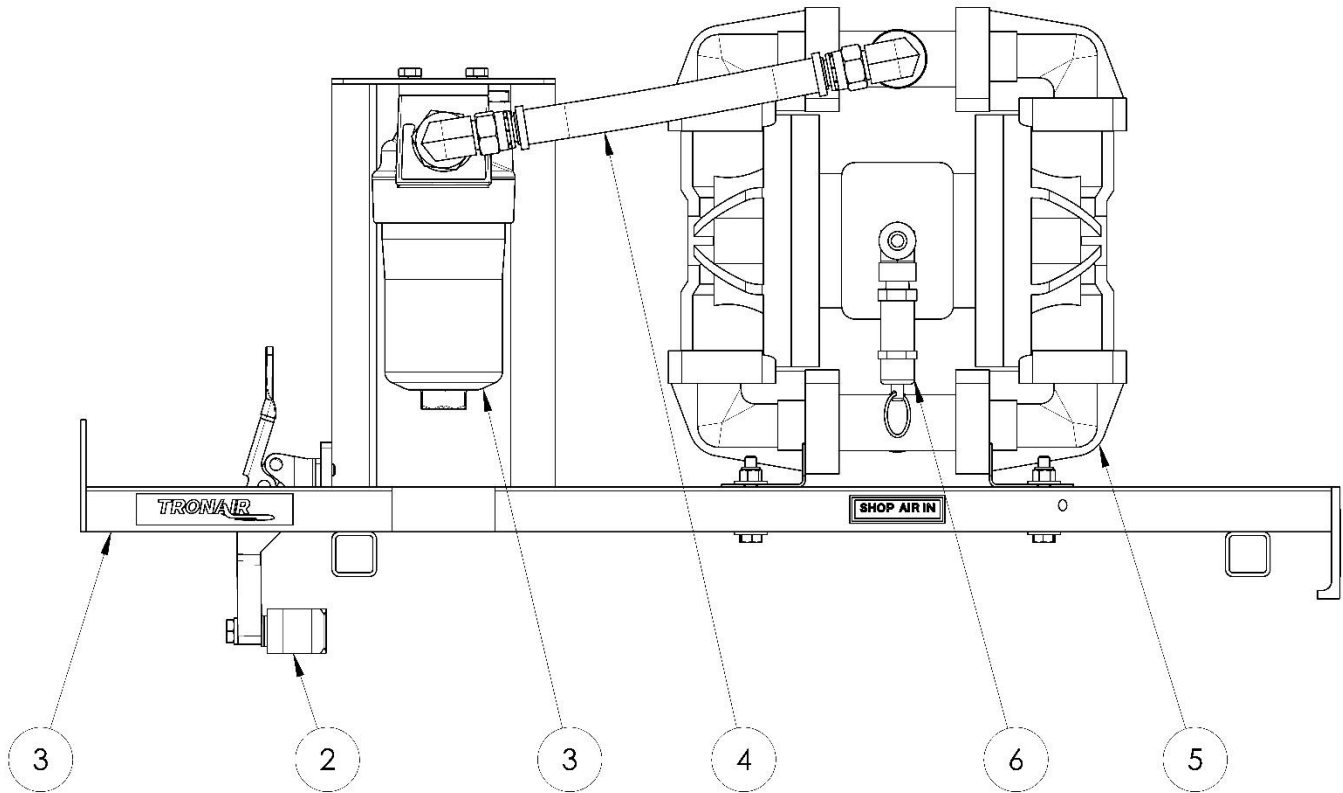
The obligations of Tronair expressly stated herein are in lieu of all other warranties or conditions expressed or implied. **Any unauthorized modification of the Tronair products or use of the Tronair products in violations of cautions and warnings in any manual (including updates) or safety bulletins published or delivered by Tronair will immediately void any warranty, express or implied and Tronair disclaims any and all liability for injury (WITHOUT LIMITATION and including DEATH), loss or damage arising from or relating to such misuse.**

10.0 APPENDICES

- APPENDIX I Lincoln Pump Service & Operating Manual
- APPENDIX II Declaration of Conformity

Parts List

When ordering replacement parts/kits, please specify model, serial number and color of your unit.

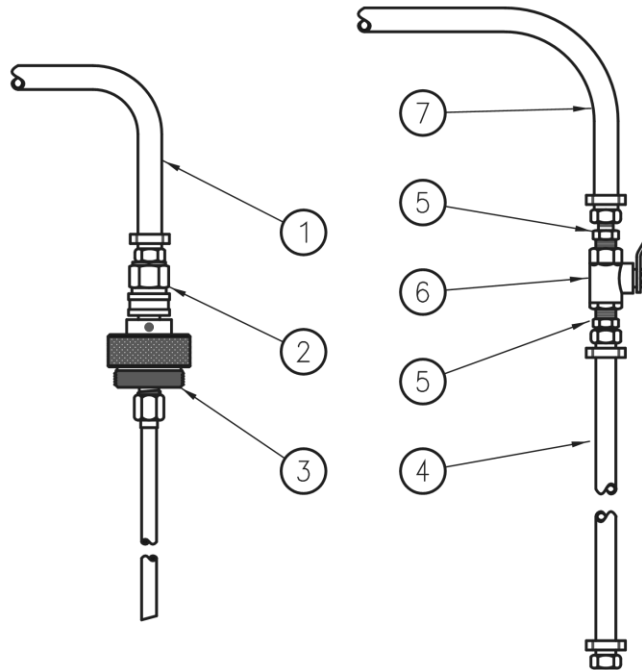


Model Number	Fluid Type
06-5024-3300	HyJet V
06-5024-3510	MIL-PRF-5606, MIL-PRF-83282
06-5024-3610	Skydrol
06-5024-3800	MIL-L-23699, MIL-PRF-87257

Item	06-5024-3300 06-5024-3610	06-5024-3510 06-5024-3800	Description	Qty
	Part Number	Part Number		
1	Z-2100-00	Z-2100-00	WELDMENT, BARREL PUMP FRAME	1
2	Z-2101-00	Z-2101-00	WELDMENT, BARREL PUMP CLAMP	1
3	HC-1480	HC-1481	ASSEMBLY, FILTER	1
4	TF-1067-02*07.5	TF-1077-05*07.5	ASSEMBLY, #8 X 7-1/2 LONG	2
5	Z-5679	Z-5678	PUMP, PNEUMATIC (MODIFIED)	1
6	PC-1017-02-125	PC-1017-02-125	VALVE, SAFETY, 125 PSI	
N/S	HK-3711	HK-3709	KIT, PUMP SEAL REPAIR	2
N/S	HK-3710	HK-3710	KIT, AIR END REPAIR	

Parts List

When ordering replacement parts/kits, please specify model, serial number and color of your unit.



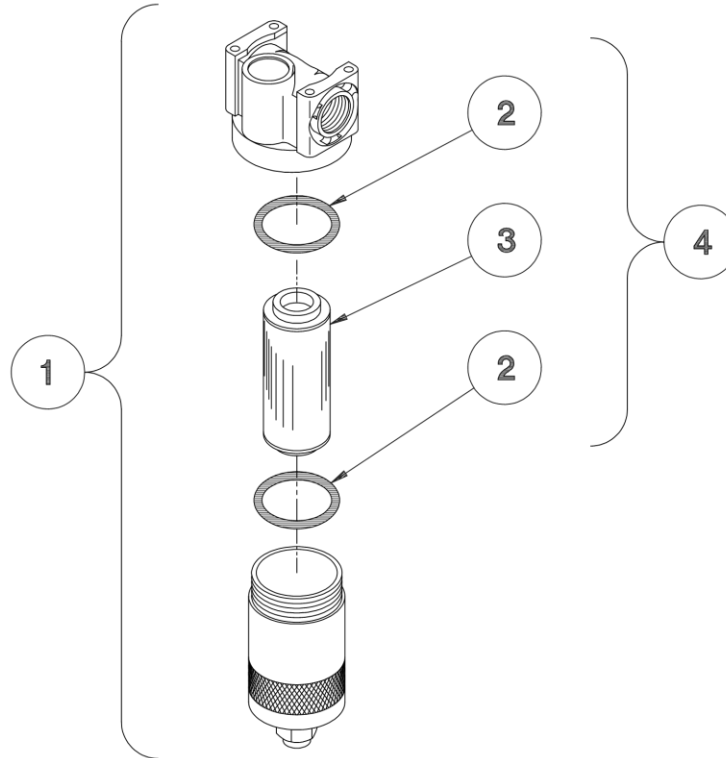
Model Number	Fluid Type
06-5024-3300	HyJet V
06-5024-3510	MIL-PRF-5606, MIL-PRF-83282
06-5024-3610	Skydrol
06-5024-3800	MIL-L-23699, MIL-PRF-87257

Item	06-5024-3300 06-5024-3610	06-5024-3510	Description	Qty
	Part Number	Part Number		
1	TF-1067-02*36.0	TF-1047-05*36.0	HOSE	1
2	N-2430-0808	N-2431-0808	COUPLING, QUICK DISCONNECT	1
3	Z-2163-02	Z-2163-03	BARREL PICK-UP	1
4	TF-1067-01*180	TF-1047-04*180	HOSE	1
5	N-2009-10-S	N-2009-10-S	CONNECTOR, MALE	2
6	HC-1425-02	HC-1425-02	VALVE, BALL	1
7	TF-1067-01*25.0	TF-1047-04*25.0	HOSE	1
N/S	N-2052-06	N-2052-06	EXPANDER, TUBE	1

Item	06-5024-3800		Description	Qty
	Part Number	Part Number		
2	N-2539-0808		COUPLING, QUICK DISCONNECT	1
3	Z-2163-03		BARREL PICK-UP	1
5	N-2009-10-S		CONNECTOR, MALE	2
6	HC-1425-02		VALVE, BALL	1
N/S	N-2052-06		EXPANDER, TUBE	1
1	N-2026-05-B		SWIVEL, JIC 37°	2
	TF-1105-08*36.0		HOSE, ½	1
4	N-2026-03-B		SWIVEL, JIC 37°	2
	TF-1105-06*180		HOSE, 3/8 GRAY	1
7	N-2026-03-B		SWIVEL, JIC 37°	2
	TF-1105-06*180		HOSE, 3/8 GRAY	1

Filter Assembly

When ordering replacement parts/kits, please specify model, serial number and color of your unit.



Model Number	Fluid Type
06-5024-3300	HyJet V
06-5024-3510	MIL-PRF-5606, MIL-PRF-83282
06-5024-3610	Skydrol
06-5024-3800	MIL-L-23699, MIL-PRF-87257

	06-5024-3300 06-5024-3610	06-5024-3510	06-5024-3800		
Item	Part Number	Part Number		Description	Qty
1	HC-1480	HC-1481	HC-1826	ASSEMBLY, FILTER	1
4	K-3099	K-3098	N/A	KIT, FILTER ELEMENT; consists of:	
3	HC-1483	HC-1482		ELEMENT, FILTER	1
2	HC-2006-142	HC-2007-142		O-RING, SERIES 2	2



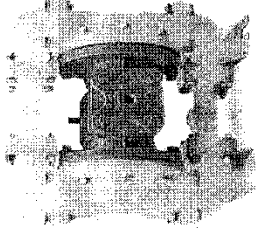
APPENDIX I

Lincoln Pump Service & Operating Manual

SERVICE & OPERATING MANUAL



**Models 85626, 85622, 85623
1/2" Air-Powered Diaphragm Pump**

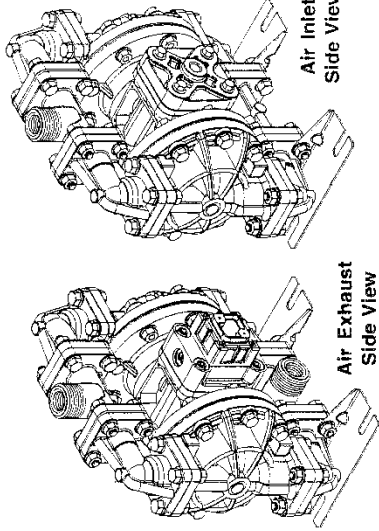


CE

Table of Contents

Engineering Data and Temperature Limitations	1	Overlay Option Drawing, Muffler Option Drawing	10
Performance Curve	2	Available Service and Conversion Kits	10
Dimensions	3	Composite Repair Parts List	11
Metric Dimensions	4	Air Distribution Valve Assembly Drawing	12
Principle of Pump Operation	5	Air Distribution Valve Assembly Parts List	12
Installation and Start-up	5	Air Distribution Valve Servicing	13
Air Supply	5	Intermediate Assembly Drawing and Parts List	14
Air Valve Lubrication	5	Intermediate Assembly and Actuator Plunger Servicing	14
Air Line Moisture	5	Check Valve Drawing	15
Air Inlet and Priming	5	Check Valve Servicing	15
Between Uses	5	Diaphragm Service Drawing, Non-Overlay	16
Installation Guide	6	Diaphragm Service Drawing, with Overlay	16
Troubleshooting	7	Diaphragm Servicing	17
Important Safety Information	8	Overlay Diaphragm Servicing	17
Material Codes	9	Exhaust Conversion Drawing	18
Composite Repair Parts Drawing	10	Converted Exhaust Illustration	18

Section - B5
Page - 26



Models 85626, 85622, 85623

Air-Powered Double-Diaphragm Pump

U.S. Patent #
5,996,627; 6,241,487
Other U.S. Patents
Applied for



ENGINEERING, PERFORMANCE
& CONSTRUCTION DATA

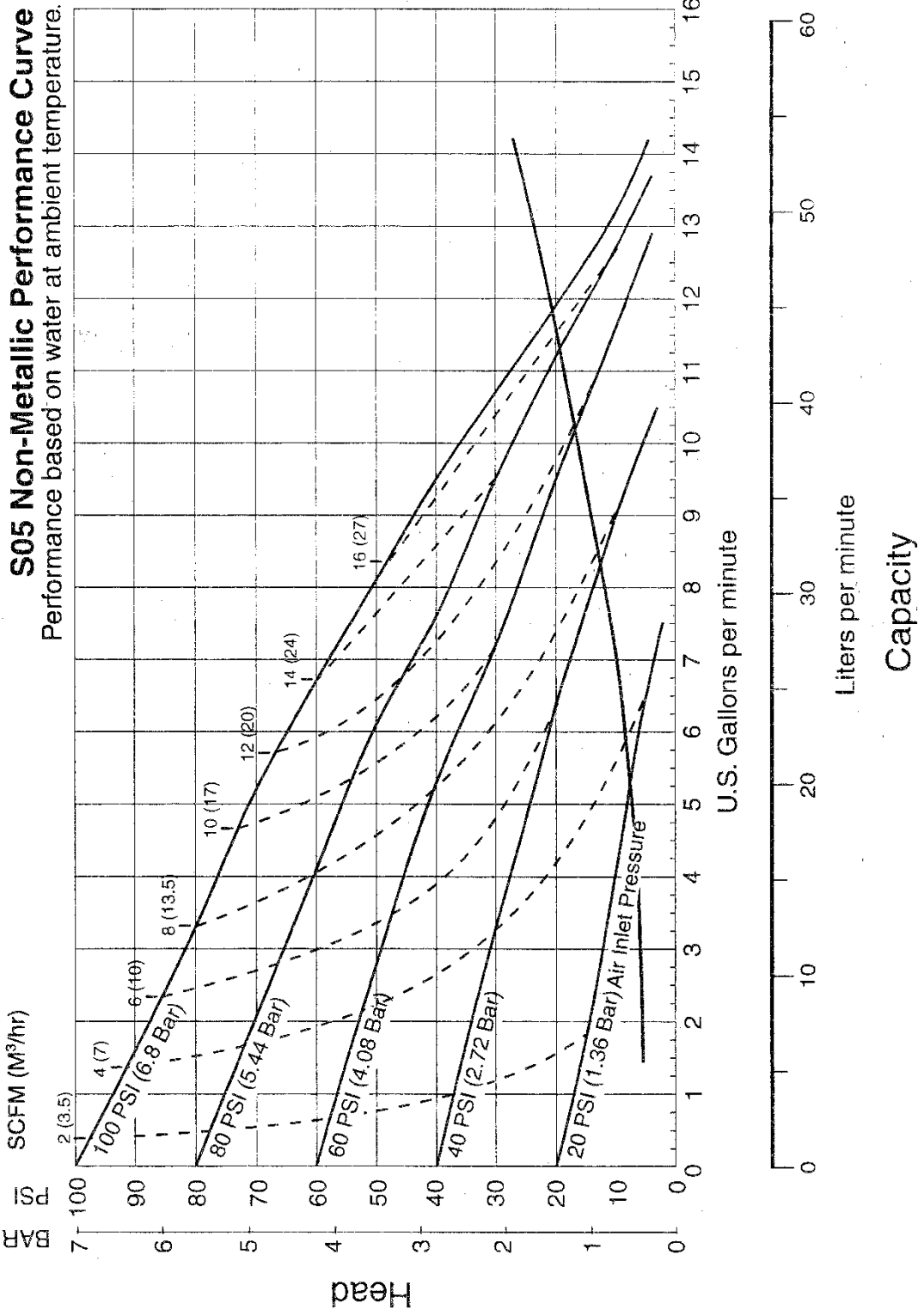
INTAKE/DISCHARGE PIPE SIZE 1/2" NPT (Internal) or 1/2" BSPT (Flared) 1" NPT (External) or 1" BSPT (Flared)	CAPACITY 0 to 14 gallons per minute (0 to 52 liters per minute)	AIR VALVE No-lube, no-stall design	SOLIDS-HANDLING Up to .125 in. (3mm)	HEADS UP TO 100 psi or 23' ft. of water (7 Kg/cm ² or 70-meters)	DISPLACEMENT/STROKE .026 Gallon / .068 liter
CAUTION! Operating temperature limitations are as follows:					
MATERIALS					
			Operating Temperatures		Optimum**
			Maximum*	Minimum*	
Buna: General purpose, oil-resistant. Shows good solvent, oil, water and hydraulic fluid resistance. Should not be used with highly polar solvents like acetone and MEK, ozone, chlorinated hydrocarbons and nitro hydrocarbons.			190° F 88° C	-10° F -23° C	50° to 140° F 10° to 60° C
Conductive Acetal:			180° F 82° C	-20° F -28° C	
Nylon:			120° F 48° C	32° F 0° C	
PVDF:			200° F 93° C	10° F -13° C	50° to 212° F 10° to 100° C
Virgin PTFE: Chemically inert, virtually impervious. Very few chemicals are known to react chemically with PTFE - molten alkali metals, turbulent liquid or gaseous fluorine and a few fluoro-chemicals such as chlorine trifluoride or oxygen difluoride which readily liberate free fluorine at elevated temperatures.			212° F 100° C	-35° F -37° C	50° to 212° F 24° to 100° C
Polyurethane: High tensile material with excellent abrasion resistance. A general purpose material with excellent resistance to most oils.			210° F 99° C	-40° F -40° C	-40° to 210° F -40° to 99° C
Polpropylene:			150° F 65° C	40° F 5° C	
Santoprene®: Injection molded thermoplastic elastomer with no fabric layer. Long mechanical flex life. Excellent abrasion resistance.			212° F 100° C	-10° F -23° C	50° to 212° F 10° to 100° C

*Definite reduction in service life.
**Minimal reduction in service life at ends of range

For specific applications, always consult "Chemical Resistance Chart" Technical Bulletin

Lincoln pumps are designed to be powered only by compressed air.

Performance Curve



NPSHR

FEET METERS

30 9.1

25 7.6

20 6

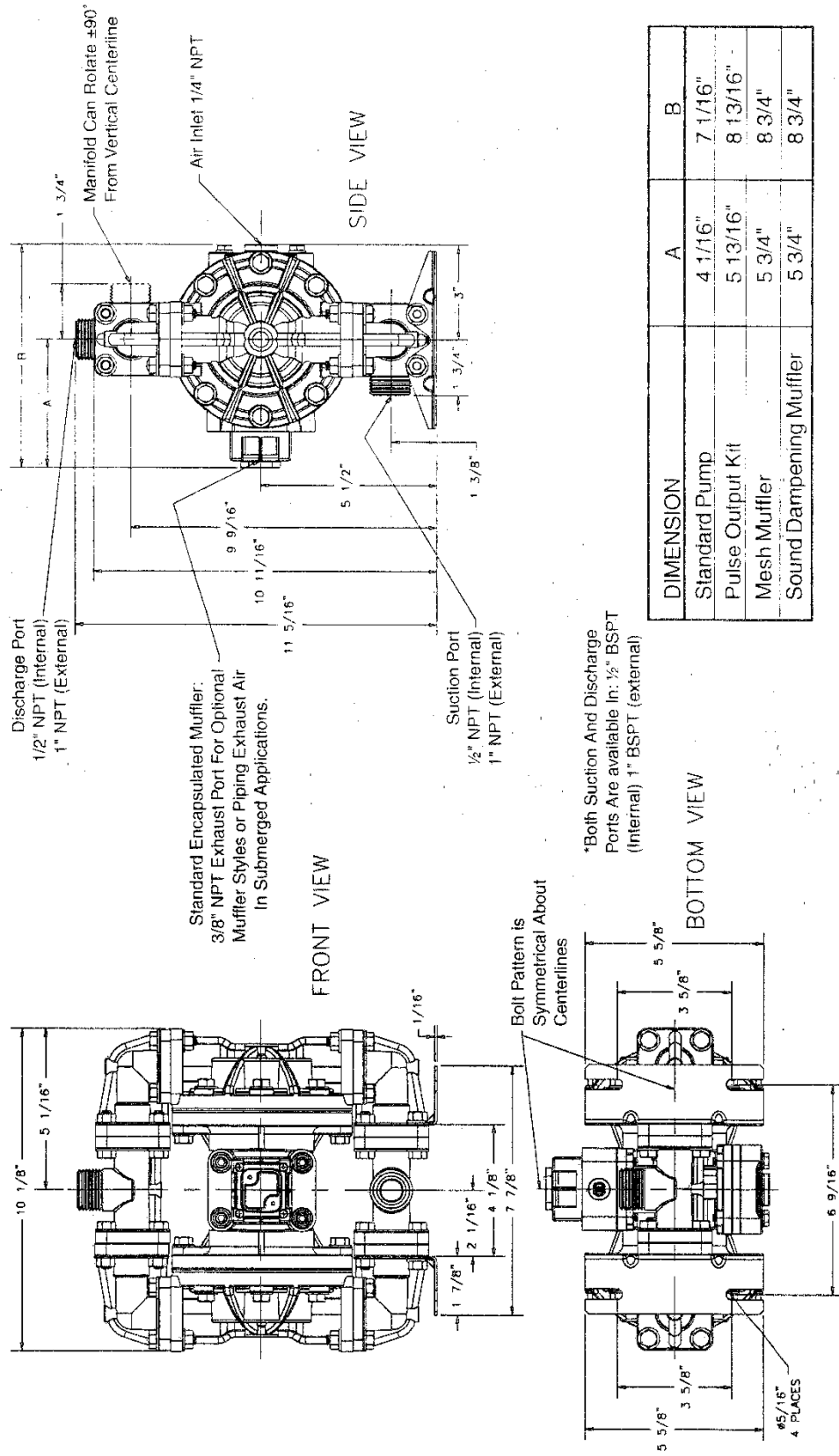
15 4.5

10 3

5 1.5

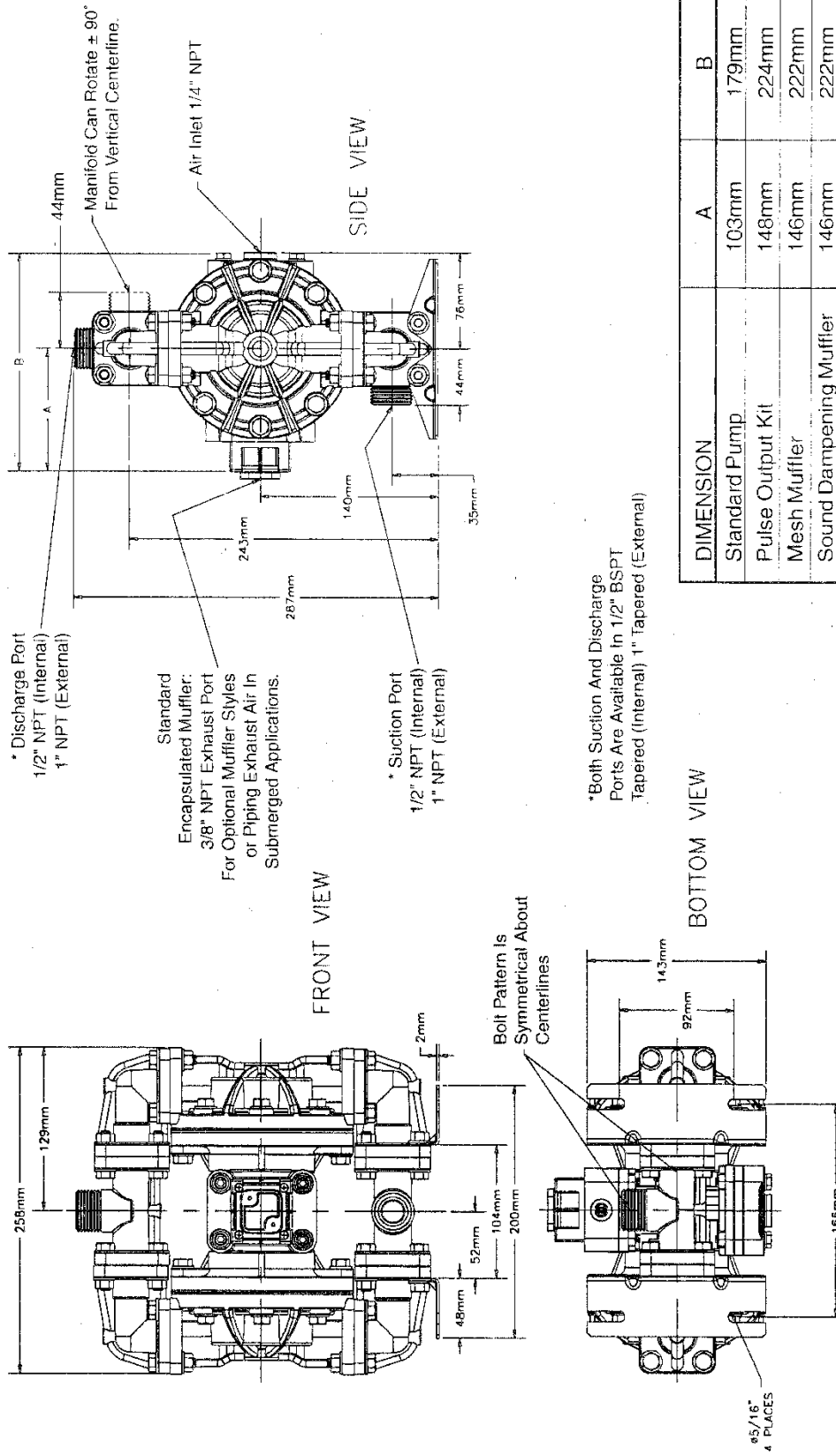
Dimensions:

Dimensions in Inches
Dimensional tolerance: $\pm 1/8"$



Metric Dimensions:

Dimensions in millimeters
Dimensional tolerance: ±3mm



DIMENSION	A	B
Standard Pump	103mm	179mm
Pulse Output Kit	148mm	224mm
Mesh Muffler	146mm	222mm
Sound Dampening Muffler	146mm	222mm

PRINCIPLE OF PUMP OPERATION

This ball type check valve pump is powered by compressed air and is a 1:1 ratio design. The inner side of one diaphragm chamber is alternately pressurized while simultaneously exhausting the other inner chamber. This causes the diaphragms, which are connected by a common rod secured by plates to the centers of the diaphragms, to move in a reciprocating action. (As one diaphragm performs the discharge stroke the other diaphragm is pulled to perform the suction stroke in the opposite chamber.) Air pressure is applied over the entire inner surface of the diaphragm while liquid is discharged from the opposite side of the diaphragm. The diaphragm operates in a balanced condition during the discharge stroke which allows the pump to be operated at discharge heads over 200 feet (61 meters) of water.

For maximum diaphragm life, keep the pump as close to the liquid being pumped as possible. Positive suction head in excess of 10 feet of liquid (3.048 meters) may require a back pressure regulating device to maximize diaphragm life.

Alternate pressurizing and exhausting of the diaphragm chamber is performed by an externally mounted, pilot operated, four way spool type air distribution valve. When the spool shifts to one end of the valve body, inlet pressure is applied to one diaphragm chamber and the other diaphragm chamber exhausts. When the spool

shifts to the opposite end of the valve body, the pressure to the chambers is reversed. The air distribution valve spool is moved by an internal pilot valve which alternately pressurizes one end of the air distribution valve spool while exhausting the other end. The pilot valve is shifted at each end of the diaphragm stroke when an actuator plunger is contacted by the diaphragm plate. This actuator plunger then pushes the end of the pilot valve spool into position to activate the air distribution valve.

The chambers are connected with manifolds with a suction and discharge check valve for each chamber, maintaining flow in one direction through the pump.

INSTALLATION AND START-UP

Locate the pump as close to the product being pumped as possible. Keep the suction line length and number of fittings to a minimum. Do not reduce the suction line diameter.

For installations of rigid piping, short sections of flexible hose should be installed between the pump and the piping. The flexible hose reduces vibration and strain to the pumping system. A Warren Rupp Tranquilizer® surge suppressor is recommended to further reduce pulsation in flow.

AIR SUPPLY

Air supply pressure cannot exceed 125 psi (8.6 bar). Connect the pump air inlet to an air supply of sufficient capacity and pressure required for desired performance. When the air

supply line is solid piping, use a short length of flexible hose not less than 1/2" (13mm) in diameter between the pump and the piping to reduce strain to the piping. The weight of the air supply line, regulators and filters must be supported by some means other than the air inlet cap. Failure to provide support for the piping may result in damage to the pump. A pressure regulating valve should be installed to insure air supply pressure does not exceed recommended limits.

AIR VALVE LUBRICATION

The air distribution valve and the pilot valve are designed to operate WITHOUT lubrication. This is the preferred mode of operation. There may be instances of personal preference or poor quality air supplies when lubrication of the compressed air supply is required. The pump air system will operate with properly lubricated compressed air supply. Proper lubrication requires the use of an air line lubricator (available from Warren Rupp) set to deliver one drop of SAE 10 non-detergent oil for every 20 SCFM (9.4 liters/sec.) of air the pump consumes at the point of operation. Consult the pump's published Performance Curve to determine this.

AIR LINE MOISTURE

Water in the compressed air supply can create problems such as icing or freezing of the exhaust air, causing the pump to cycle erratically or stop operating. Water in the air supply can be reduced by using a point-of-use air dryer

to supplement the user's air drying equipment. This device removes water from the compressed air supply and alleviates the icing or freezing problems.

AIR INLET AND PRIMING

To start the pump, open the air valve approximately 1/2" to 3/4" turn. After the pump primes, the air valve can be opened to increase air flow as desired. If opening the valve increases cycling rate, but does not increase the rate of flow, cavitation has occurred. The valve should be closed slightly to obtain the most efficient air flow to pump flow ratio.

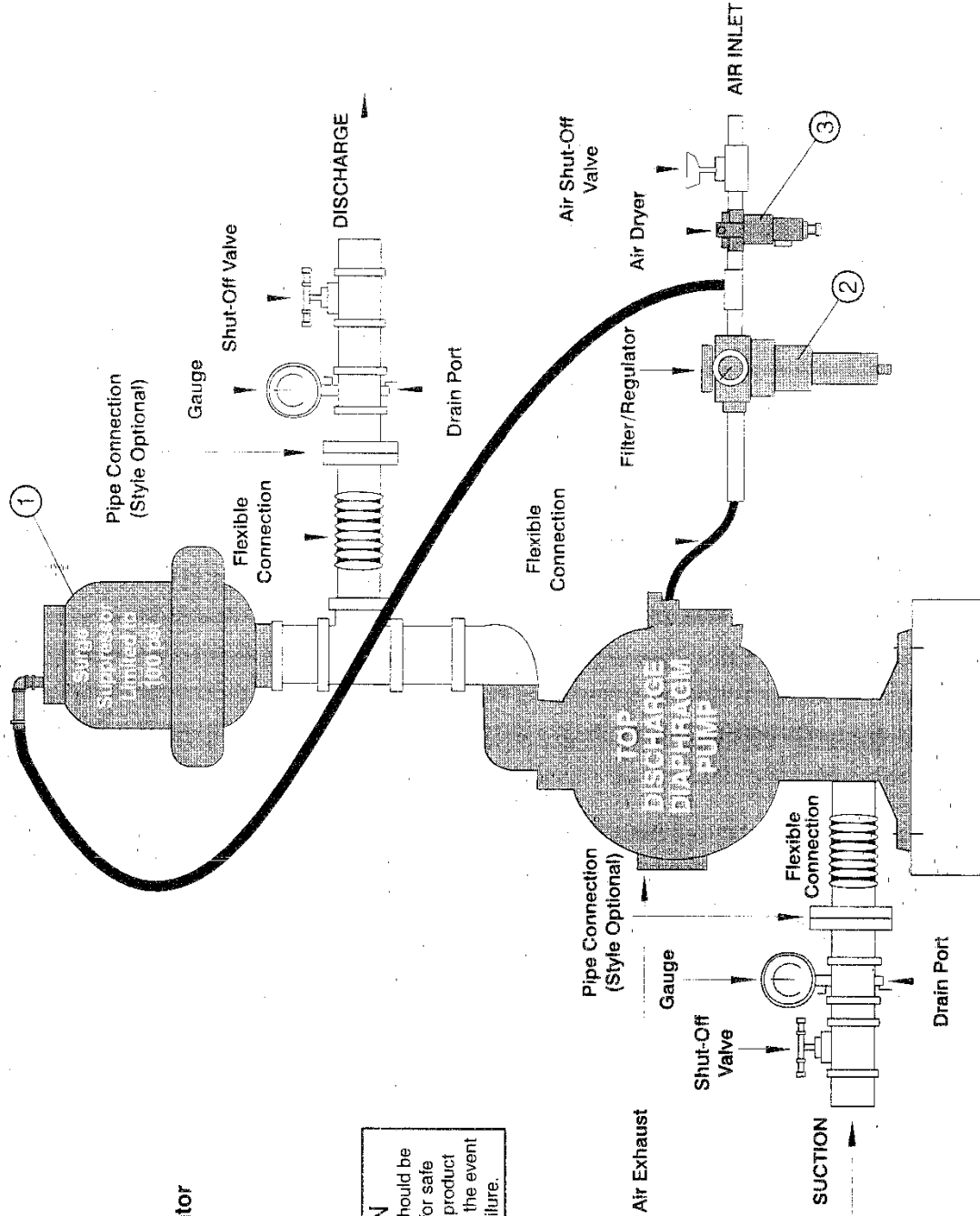
BETWEEN USES

When the pump is used for materials that tend to settle out or solidify when not in motion, the pump should be flushed after each use to prevent damage. (Product remaining in the pump between uses could dry out or settle out. This could cause problems with the diaphragms and check valves at restart.) In freezing temperatures the pump must be completely drained between uses in all cases.

Available from
Warren Rupp

- ① DA05 Surge Suppressor
- ② 020-049-000 Filter/Regulator
- ③ 020-049-001 Lubricator

CAUTION
The air exhaust should be piped to an area for safe disposition of the product being pumped, in the event of a diaphragm failure.



TROUBLESHOOTING

Possible Symptoms:

- Pump will not cycle.
- Pump cycles, but produces no flow.
- Pump cycles, but flow rate is unsatisfactory.
- Pump cycle seems unbalanced.
- Pump cycle seems to produce excessive vibration.

What to Check: Excessive suction lift in system.

Corrective Action: For lifts exceeding 20 feet (6 meters), filling the pumping chambers with liquid will prime the pump in most cases.

What to Check: Excessive flooded suction in system.

Corrective Action: For flooded conditions exceeding 10 feet (3 meters) of liquid, install a back pressure device.

What to Check: System head exceeds air supply pressure.

Corrective Action: Increase the inlet air pressure to the pump. Most diaphragm pumps are designed for 1:1 pressure ratio at zero flow.

What to Check: Air supply pressure or volume exceeds system head.

Corrective Action: Decrease inlet air pressure and volume to the pump as calculated on the published PERFORMANCE CURVE. Pump is cavitating the fluid by fast cycling.

What to Check: Undersized suction line.
Corrective Action: Meet or exceed pump connection recommendations shown on the DIMENSIONAL DRAWING.

What to Check: Restricted or undersized air line.

Corrective Action: Install a larger air line and connection. Refer to air inlet recommendations shown in your pump's SERVICE MANUAL.

What to Check: Check ESADS, the Externally Serviceable Air Distribution System of the pump.

Corrective Action: Disassemble and inspect the main air distribution valve; pilot valve and pilot valve actuators. Refer to the parts drawing and air valve section of the SERVICE MANUAL. Check for clogged discharge or closed valve before reassembly.

What to Check: Rigid pipe connections to pump.

Corrective Action: Install flexible connectors and a Warren Rupp Tranquilizer® Surge Suppressor.

What to Check: Blocked air exhaust muffler.

Corrective Action: Remove muffler screen, clean or de-ice and reinstall. Refer to the Air-Exhaust section of your pump SERVICE MANUAL.

What to Check: Pumped fluid in air exhaust muffler.

Corrective Action: Disassemble pump chambers. Inspect for diaphragm rupture or loose diaphragm plate assembly. Refer to the Diaphragm Replacement section of your pump SERVICE MANUAL.

What to Check: Suction side air leakage or air in product.

Corrective Action: Visually inspect all suction side gaskets and pipe connections.

What to Check: Obstructed check valve.

Corrective Action: Disassemble the wet end of the pump and manually dislodge obstruction in the check valve pocket. Refer to the Check Valve section of the pump SERVICE MANUAL for disassembly instructions.

What to Check: Worn or misaligned check valve or check valve seat.

Corrective Action: Inspect check valves and seats for wear and proper seating. Replace if necessary. Refer to Check Valve section of the pump SERVICE MANUAL for disassembly instructions.

What to Check: Blocked suction line.

Corrective Action: Remove or flush obstruction. Check and clear all suction screens and strainers.

What to Check: Blocked discharge line.

Corrective Action: Check for obstruction or closed discharge line valves.

What to Check: Blocked pumping chamber.

Corrective Action: Disassemble and inspect the wetted chambers of the pump. Remove or flush any obstructions. Refer to the pump SERVICE MANUAL for disassembly instructions.

What to Check: Entrained air or vapor lock in one or both pumping chambers.

Corrective Action: Purge chambers through tapped chamber vent plugs. PURGING THE CHAMBERS OF AIR CAN BE DANGEROUS! Contact the Technical Services Department before performing this procedure. Any model with top-ported discharge will reduce or eliminate problems with entrained air.

If your pump continues to perform below your expectations, contact your local Distributor or factory Technical Services Group for a service evaluation.

Recycling

Many components of Non-Metallic AODD pumps are made of recyclable materials (see chart on page 10 for material specifications). We encourage pump users to recycle worn out parts and pumps whenever possible, after any hazardous pumped fluids are thoroughly flushed.

Important Safety Information



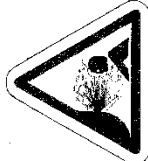
▲ IMPORTANT

Read these safety warnings and instructions in this manual completely, before installation and start-up of the pump. It is the responsibility of the purchaser to retain this manual for reference. Failure to comply with the recommendations stated in this manual will damage the pump, and void factory warranty.



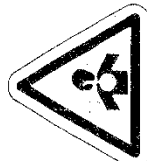
▲ CAUTION

Before pump operation, inspect all gasketed fasteners for looseness caused by gasket creep. Re-torque loose fasteners to prevent leakage. Follow recommended torques stated in this manual.



▲ WARNING

Before maintenance or repair, shut off the compressed air line, bleed the pressure, and disconnect the air line from the pump. The discharge line may be pressurized and must be bled of its pressure.



▲ WARNING

In the event of diaphragm rupture, pumped material may enter the air end of the pump, and be discharged into the atmosphere. If pumping a product which is hazardous or toxic, the air exhaust must be piped to an appropriate area for safe disposition.



▲ WARNING

Take action to prevent static sparking. Fire or explosion can result, especially when handling flammable liquids. The pump, piping, valves, containers or other miscellaneous equipment must be grounded.



▲ WARNING

This pump is pressurized internally with air pressure during operation. Always make certain that all bolting is in good condition and that all of the correct bolting is reinstalled during assembly.



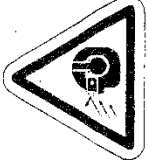
▲ WARNING

When used for toxic or aggressive fluids, the pump should always be flushed clean prior to disassembly.



▲ WARNING

Before doing any maintenance on the pump, be certain all pressure is completely vented from the pump, suction, discharge, piping, and all other openings and connections. Be certain the air supply is locked out or made non-operational, so that it cannot be started while work is being done on the pump. Be certain that approved eye protection and protective clothing are worn all times in the vicinity of the pump. Failure to follow these recommendations may result in serious injury or death.



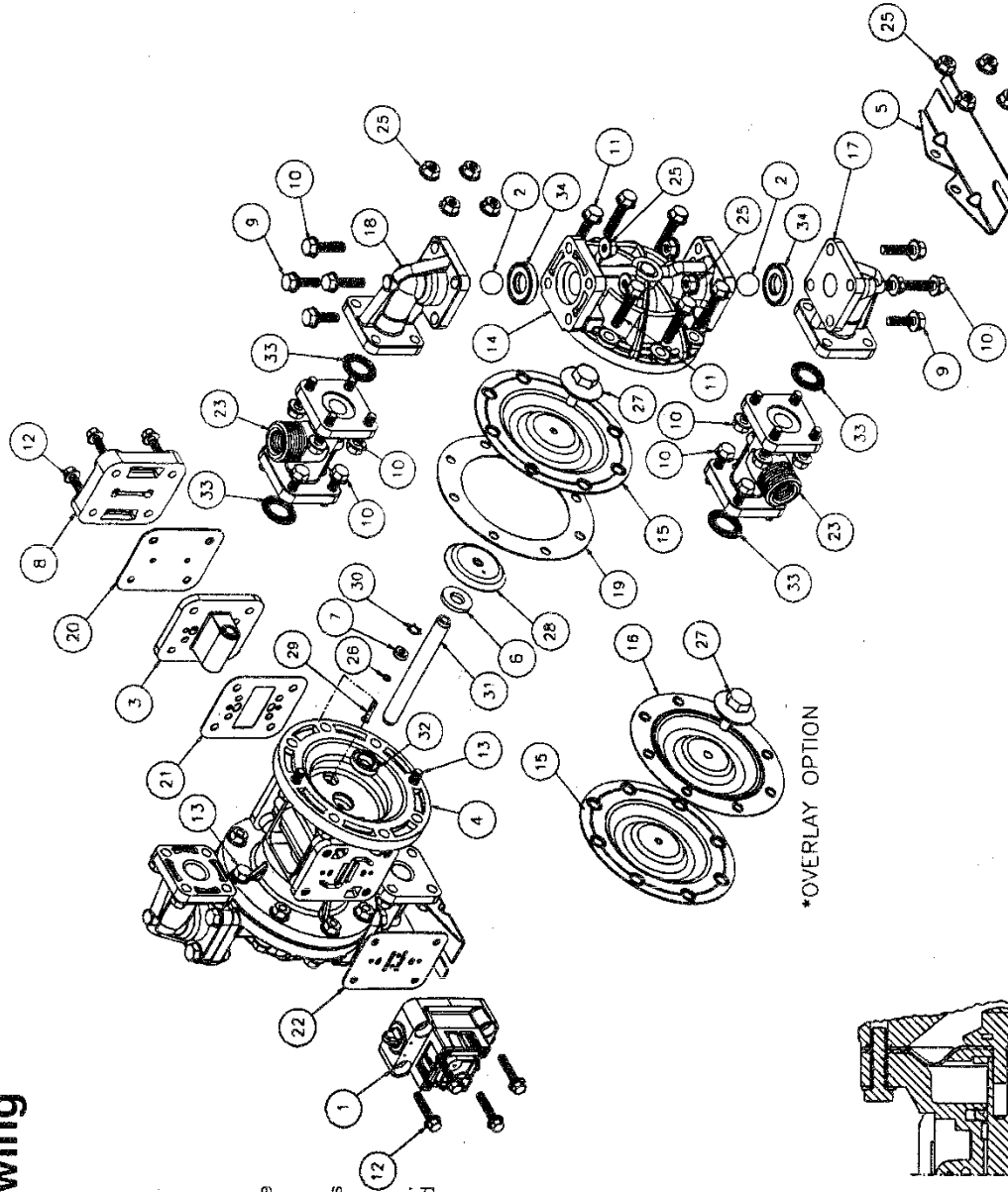
▲ WARNING

Airborne particles and loud noise hazards. Wear ear and eye protection.

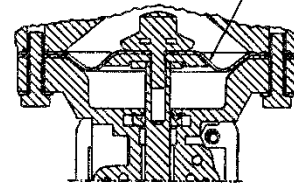
Composite Repair Parts Drawing

Available Service And Conversion Kits

- | | |
|-------------|--|
| Updated TBA | AIR END KIT
Seals, O-ring, Gaskets, Retaining Rings, Air Valve Assembly and Pilot Valve Assembly |
| 271871 | WET END KIT
Buna Diaphragms, Buna Check Balls, PTFE Seats and PTFE Seals |
| 271873 | WET END KIT
Santoprene Diaphragms, Nitrile Spacer Gaskets, Santoprene Check Balls, PTFE Seats and PTFE Seals |
| 271872 | WET END KIT
Santoprene Diaphragms, PTFE Overlay Diaphragm, PTFE Check Balls, PTFE Seats and PTFE Seals |



*OVERLAY OPTION



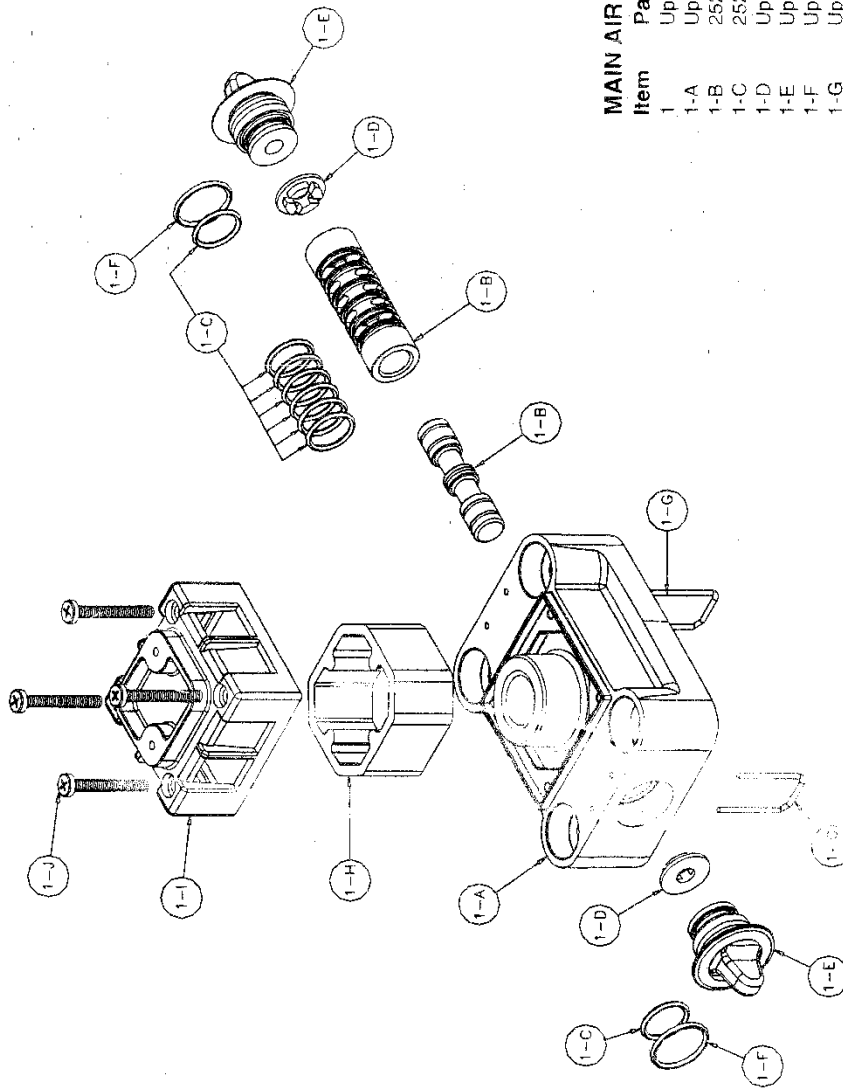
DIAPHRAGM CONFIGURATION DETAIL

NOTE TO ASSEMBLY:
NOTE TO PURCHASER:
CONFIGURATIONS SHOWN ABOVE ARE TO BE
INSTALLED WITH CONVOLUTIONS FACING
TOWARDS CENTER OF PUMP

Composite Repair Parts List

ITEM	DESCRIPTION	QTY	MODEL 85623	MODEL 85622	MODEL 85626
1	Air Valve Assembly	1	Updated TBA	Updated TBA	Updated TBA
2	Ball, Check	4	252896 PTFE	Updated TBA	272208
3	Pilot Valve Assembly	1	252897	252895 Santoprene	252897
4	Intermediate Assembly	1	271986	271986	271986
5	Bracket, Mounting	2	271996	271996	271996
6	Bumper, Diaphragm	2	252900	252900	252900
7	Bushing, Plunger	2	252901	252901	252901
8	Cap, Air Inlet	1	271987	271987	271987
9	Capscrew, Flanged 5/16-18 x 1.00	8	271988	271988	271988
10	Capscrew, Flanged 5/16-18 x 1.25	24	271989	271989	271989
11	Capscrew, Flanged 5/16-18 x 1.50	12	271990	271990	271990
12	Capscrew, Flanged 1/4-20 x 1.25	8	271991	271991	271991
13	Capscrew, Flanged 5-16-18 x .88	4	271992	271992	271992
14	Chamber, Outer	2	271985	271985	271985
15	Diaphragm	2	252907	252907	271865
16	Diaphragm, Overlay	2	252908		
17	Elbow, Suction	2	252909	252909	252909
18	Elbow, Discharge	2	271994	271994	271994
19	Gasket, Spacer	2	252910	252910	252910
20	Gasket, Air Inlet	1	252911	252911	252911
21	Gasket, Pilot Valve	1	252912	252912	252912
22	Gasket, Air Valve	1	252913	252913	252913
23	Manifold	2	252914	252914	252914
25	Nut, Hex 5/16-13"	36	271993	271993	271993
26	O-Ring	2	240655	240655	240655
27	Plate, Outer Diaphragm	2	240768	240768	240768
28	Plate, Inner Diaphragm	2	252917	252917	252917
29	Plunger, Actuator	2	252918	252918	252918
30	Ring, Retaining	2	240717	240717	240717
31	Rod, Diaphragm	1	252920	252920	252920
32	Seal, Diaphragm Rod	2	252921	252921	252921
33	Seal, Manifold	4	252922	252922	252922
34	Seat, Check Valve	4	271995	271995	271995

Air Distribution Valve Assembly Drawing



MAIN AIR VALVE ASSEMBLY PARTS LIST

Item	Part Number	Description	Qty
1	Updated TBA	Air Valve Assembly	1
1-A	Updated TBA	Body, Air Valve	1
1-B	252929	Sleeve and Spool Set	1
1-C	252927	O-Ring	8
1-D	Updated TBA	Bumper	2
1-E	Updated TBA	End Cap	2
1-F	Updated TBA	O-Ring	2
1-G	Updated TBA	End Cap Retainer	2
1-H	Updated TBA	Muffler	1
1-I	252931	Muffler Cap	1
1-J	252932	Self-Tapping Screw	4

AIR DISTRIBUTION VALVE SERVICING

To service the air valve first shut off the compressed air, bleed pressure from the pump, and disconnect the air supply line from the pump.

Step #1: See COMPOSITE REPAIR PARTS DRAWING.

Using a 3/8" wrench or socket, remove the four hex flanged capscrews (item 12). Remove the air valve assembly from the pump.

Step #2: Disassembly of the air distribution valve.

To access the internal air valve components first remove the two end cap retainers (item 1-G) by inserting a small flat screwdriver into the two slotted grooves on the valve body and gently lifting the retainers out.

Next remove the two end caps (item 1-E) by grasping the pull tab with finger and thumb or pliers and tugging. Inspect the two o-rings (items 1-C and 1-F) on each end cap for wear or cuts. Replace the o-rings if necessary.

Remove the two bumpers (items 1-D) and inspect for wear or damage. Be careful not to scratch or damage the outer diameter of the spool. Wipe spool with a soft cloth and inspect for scratches or wear.

Remove the spool (part of item 1-B) from the sleeve. Be careful not to scratch or damage the outer diameter of the spool. Wipe the spool with a soft clean cloth and inspect for scratches or abrasive wear.

Inspect the inner diameter of the sleeve (part of item 1-B) for dirt, scratches, or other contaminants. Remove the sleeve if needed and replace with a new sleeve and spool set (item 1-B). **Note:** The sleeve and spool set is match-ground to a specified clearance. Sleeves and spools cannot be interchanged.

Step #3: Reassembly of the air distribution valve.

Install one bumper (item 1-D) and one end cap with o-rings (items 1-E, 1-C, and 1-F) into one end of the air valve body (item 1-A). Insert one end cap retainer (item 1-G) into the two smaller holes, align with groove in the end cap, and push until the closed end of the retainer is below the flat surface of the valve body.

Remove the new sleeve and spool set (item 1-B) from the plastic bag. Carefully remove the spool from the sleeve. Install the six o-rings (item 1-C) into the six grooves on the sleeve. Apply a light coating of grease to the o-rings before installing the sleeve into the valve body, align the slots in the sleeve with the slots in the valve body. Insert the spool into the sleeve. Be careful not to scratch or damage the spool during installation. Push the spool in until it touches the bumper on the opposite end.

Install the remaining bumper, end cap with o-rings, and retainer.

Fasten the air valve assembly (item 1) and gasket (item 22) to the pump, using the four hex flanged capscrews (item 12).

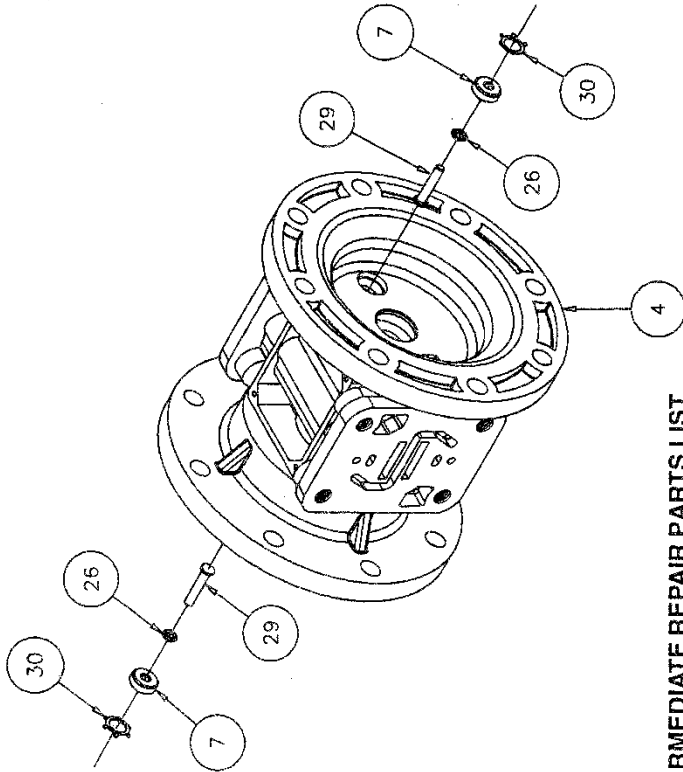
Connect the compressed air line to the pump. The pump is now ready for operation.



IMPORTANT

Read these instructions completely, before installation and start-up. It is the responsibility of the purchaser to retain this manual for reference. Failure to comply with the recommendations stated in this manual will damage the pump, and void factory warranty.

Intermediate Assembly Drawing



INTERMEDIATE REPAIR PARTS LIST

Item	Part Number	Description	Qty
4	271986	Bracket, Intermediate	1
7	252901	Bushing, Plunger	2
26	240655	O-Ring	2
29	252918	Plunger, Actuator	2
30	240717	Ring, Retaining*	2

*Note: It is recommended that when plunger components are serviced, new retaining rings be installed.

Intermediate Assembly Servicing

ACTUATOR PLUNGER SERVICING

To service the actuator plunger first shut off the compressed air supply, bleed the pressure from the pump, and disconnect the air supply line from the pump.

Step #1: See PUMP ASSEMBLY DRAWING.

Using a 3/8" wrench or socket, remove the four capscrews (items 12). Remove the air inlet cap (item 8) and air inlet gasket (item 20). The pilot valve assembly (item 3) can now be removed.

Step #2: Servicing the actuator plungers.

See PUMP ASSEMBLY DRAWING. The actuator plungers (items 29) can be reached through the stem cavity of the pilot valve in the intermediate bracket (item 4). To service bushings, o-rings and retaining rings, see Intermediate Drawing.

Remove the plungers (items 29) from the bushings (item 7) in each end of the intermediate cavity. Inspect for wear or damage. Replace plunger as needed. Apply a light coating of grease to each o-ring and re-install the plungers in to the bushings. Push the plungers in as far as they will go.

Step #3: Re-install the pilot valve assembly into the intermediate assembly.

Be careful to align the ends of the stem between the plungers when inserting the stem of the pilot valve into the cavity of the intermediate.

Re-install the gasket (item 20), air inlet cap (item 8) and capscrews (items 12).

Connect the air supply to the pump. The pump is now ready for operation.

PLUNGER BUSHING, O-RING, AND RETAINING RING SERVICING

To service the plunger bushing components first remove the two retaining rings (items 30) using a small flat screwdriver. *Note: It is recommended that new retaining rings be installed.

Next remove the two plunger bushings (items 7). Inspect the bushings for wear or scratches. Replace the bushings as necessary.

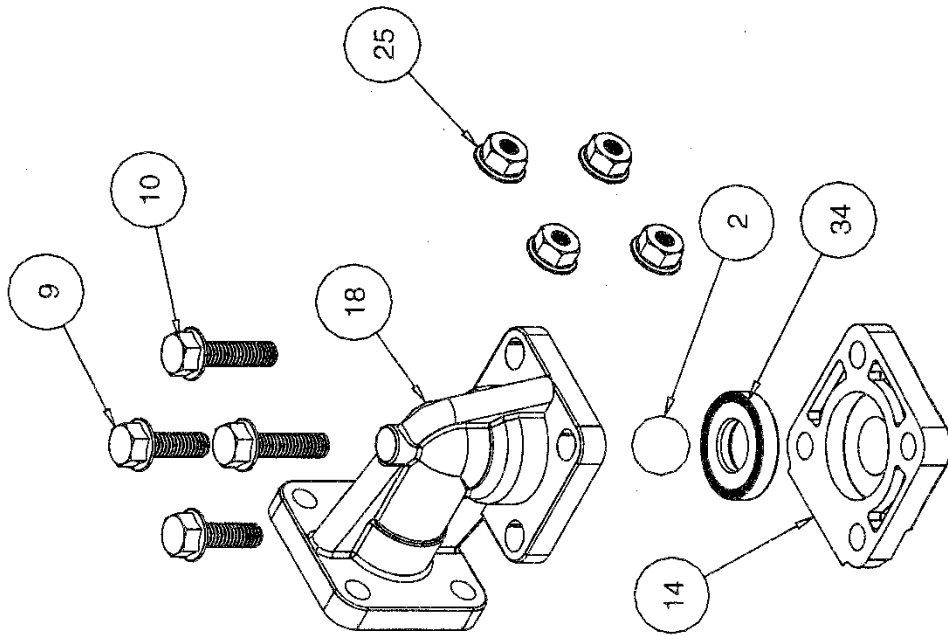
Inspect the two o-rings (26) for cuts and/or wear.



IMPORTANT

Read these instructions completely, before installation and start-up. It is the responsibility of the purchaser to retain this manual for reference. Failure to comply with the recommendations stated in this manual will damage the pump, and void factory warranty.

Check Ball Valve Drawing



MODULAR CHECK BALL VALVE SERVICING

Before servicing the check valves, first shut off the suction line and then the discharge line to the pump. Next, shut off the compressed air supply, bleed air pressure from the pump, and disconnect the air supply line from the pump. Drain any remaining fluid from the pump. The pump can now be removed for service.

To access the modular check valve, remove the elbows (items 17 and 18 from pump composite repair parts drawing). Use a 1/2" wrench or socket to remove the fasteners. Once the elbows are removed, the modular check valves can be seen in the cavities of the outer chamber (items 14).

Inspect the check balls (items 2) for wear, abrasion, or cuts on the spherical surface. The check valve seats (items 34) should be inspected for cuts, abrasive wear, or embedded material on the surfaces of both the external and internal chamfers. The spherical surface of the check balls must seat flush to the surface of the inner chamfer on the check valve seats for the pump to operate to peak efficiency. Replace any worn or damaged parts as necessary.

RE-ASSEMBLE THE CHECK VALVE

Place a check ball (item 2) in the ball cage of either the discharge elbow or the outer chamber. Install a check valve seat in the counter on each end of the chamber. Refasten the elbows to the chamber.

IMPORTANT

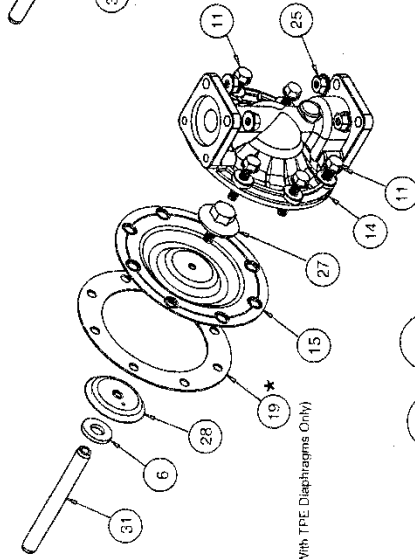


Read these instructions completely, before installation and start-up. It is the responsibility of the purchaser to retain this manual for reference. Failure to comply with the recommendations stated in this manual will damage the pump, and void factory warranty.

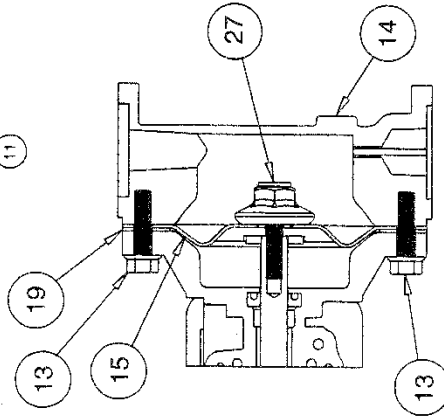
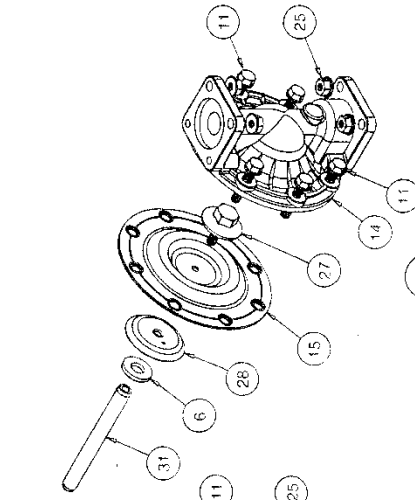
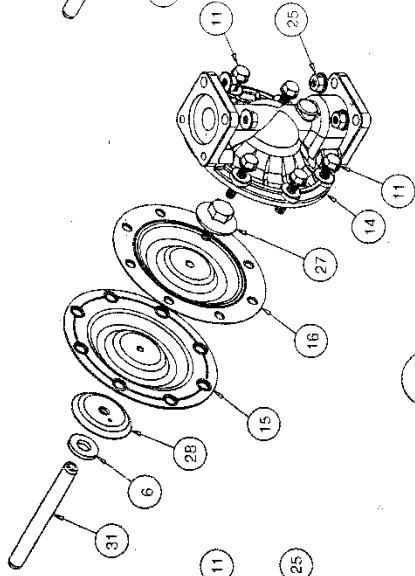
Diaphragm Service Drawing

Diaphragm Service Drawing,
with Overlay

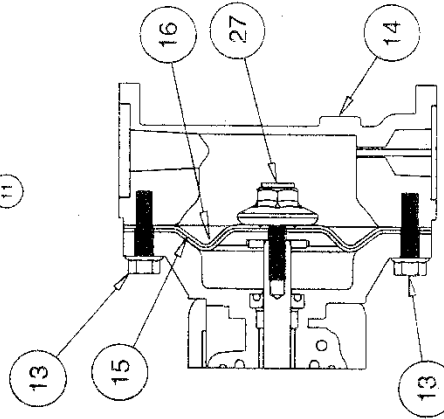
Diaphragm Service Drawing
with uniRupp®



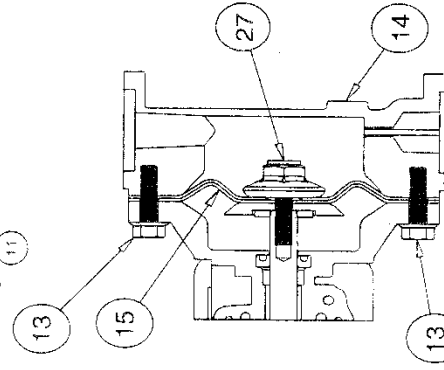
★ Use With TPE Diaphragms Only



Diaphragm Orientation
Install diaphragm and spacer
as shown above.



Diaphragm Orientation
Install diaphragm and overlay
as shown above.



Diaphragm Orientation
Install diaphragm (286-095-650 only)
as shown above.

DIAPHRAGM SERVICING

To service the diaphragms first shut off the suction, then shut off the discharge lines to the pump. Shut off the compressed air supply, bleed the pressure from the pump, and disconnect the air supply line from the pump. Drain any remaining liquid from the pump.

Step #1: See the pump composite repair parts drawing, and the diaphragm servicing illustration.

Using a 1/2" wrench or socket, remove the 16 capscrews (items 9 & 10), and flanged nuts that fasten the elbows (items 17 and 18) to the outer chambers (items 14). Remove the elbows with the manifolds and spacers attached.

Step #2: Removing the outer chambers.

Using a 1/2" wrench or socket, remove the 16 capscrews (items 11 and 13), and flanged nuts that fasten the outer chambers, diaphragms, and intermediate (item 4) together.

Step #3: Removing the diaphragm assemblies.

Use a 3/4" (19mm) wrench or six pointed socket to remove the diaphragm assemblies (outer plate, diaphragm, and inner plate) from the diaphragm rod (item 31) by turning counterclockwise.

Insert a 6-32 set screw into the smaller tapped hole in the inner diaphragm plate (item 28). Insert the protruding stud and the 6-32 fastener loosely into a vise. Use a 3/4" wrench or socket to remove the outer diaphragm

plate (item 27) by turning counterclockwise. Inspect the diaphragm (item 15) for cuts, punctures, abrasive wear or chemical attack. Replace the diaphragms if necessary.

Step #4: Installing the diaphragms. Push the threaded stud of the outer diaphragm plate through the center hole of the diaphragm. Thread the inner plate clockwise onto the stud. Insert the loose assembly with the above 6-32 fastener back into the vise. Use a torque wrench to tighten the diaphragm assembly together to 90 in lbs. (10.17 Newton meters) 120 in lbs. Santoprene (13.56 Newton meters). Allow a minimum of 15 minutes to elapse after torquing, then re-torque the assembly to compensate for stress relaxation in the clamped assembly.

Step #5: Installing the diaphragm assemblies to the pump.

Make sure the bumper (item 6) is installed over the diaphragm rod. Thread the stud of the one diaphragm assembly clockwise into the tapped hole at the end of the diaphragm rod (item 31) until the inner diaphragm plate is flush to the end of the rod. Insert rod into pump.

Align the bolt holes in the diaphragm with the bolt pattern in the intermediate (item 4).

Fasten the outer chamber (item 14) to the pump, using the capscrews (items 11 and 13) and flanged nuts.

On the opposite side of the pump, pull the diaphragm rod out as far as

possible. Make sure the bumper (item 6) is installed over the diaphragm rod.

Thread the stud of the remaining diaphragm assembly clockwise into the tapped hole at the end of the diaphragm rod (item 31) as far as possible and still allow for alignment of the bolt holes in the diaphragm with the bolt pattern in the inner chamber. Install diaphragms with convolutions facing towards center of pump. See sectional view on previous page.

Fasten the remaining outer chamber (item 14) to the pump, using the capscrews (items 11 and 13) and flanged nuts.

Step #6: Re-install the elbow/spacer/manifold assemblies to the pump, using the capscrews (items 9 & 10) and flanged nuts.

The pump is now ready to be re-installed, connected and returned to operation.

OVERLAY DIAPHRAGM SERVICING

The overlay diaphragm (item 16) is designed to fit snugly over the exterior of the standard TPE diaphragm (item 15).

uniRupp® DIAPHRAGM SERVICING

Follow the same procedures described for the standard diaphragm for removal and installation. **Note:** The uniRupp diaphragm is installed in the direction as shown in the lower right illustration above.

IMPORTANT



Read these instructions completely, before installation and start-up. It is the responsibility of the purchaser to retain this manual for reference. Failure to comply with the recommendations stated in this manual will damage the pump, and void factory warranty.

PUMPING HAZARDOUS LIQUIDS

When a diaphragm fails, the pumped liquid or fumes enter the air end of the pump. Fumes are exhausted into the surrounding environment. When pumping hazardous or toxic materials, the exhaust air must be piped to an appropriate area for safe disposal. See illustration #1 at right.

This pump can be submerged if the pump materials of construction are compatible with the liquid being pumped. The air exhaust must be piped above the liquid level. See illustration #2 at right. Piping used for the air exhaust must not be smaller than 1" (2.54 cm) diameter. Reducing the pipe size will restrict air flow and reduce pump performance. When the pumped product source is at a higher level than the pump (flooded suction condition), pipe the exhaust higher than the product source to prevent siphoning spills. See illustration #3 at right.

CONVERTING THE PUMP FOR PIPING THE EXHAUST AIR

The following steps are necessary to convert the pump to pipe the exhaust air away from the pump.

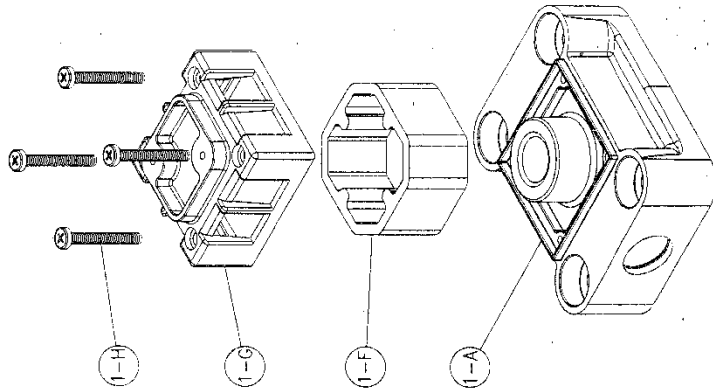
Use a #8 Torx or flat screwdriver to remove the four self-tapping screws (item 1-J) (Plastic Valves). Use a Phillips screwdriver to remove four machine screws (item 1-I) (Aluminum Valves).

Remove the muffler cap and muffler. The air distribution valve body has 1" NPT threads for installation of alternate mesh or sound dampening mufflers or piped exhaust.

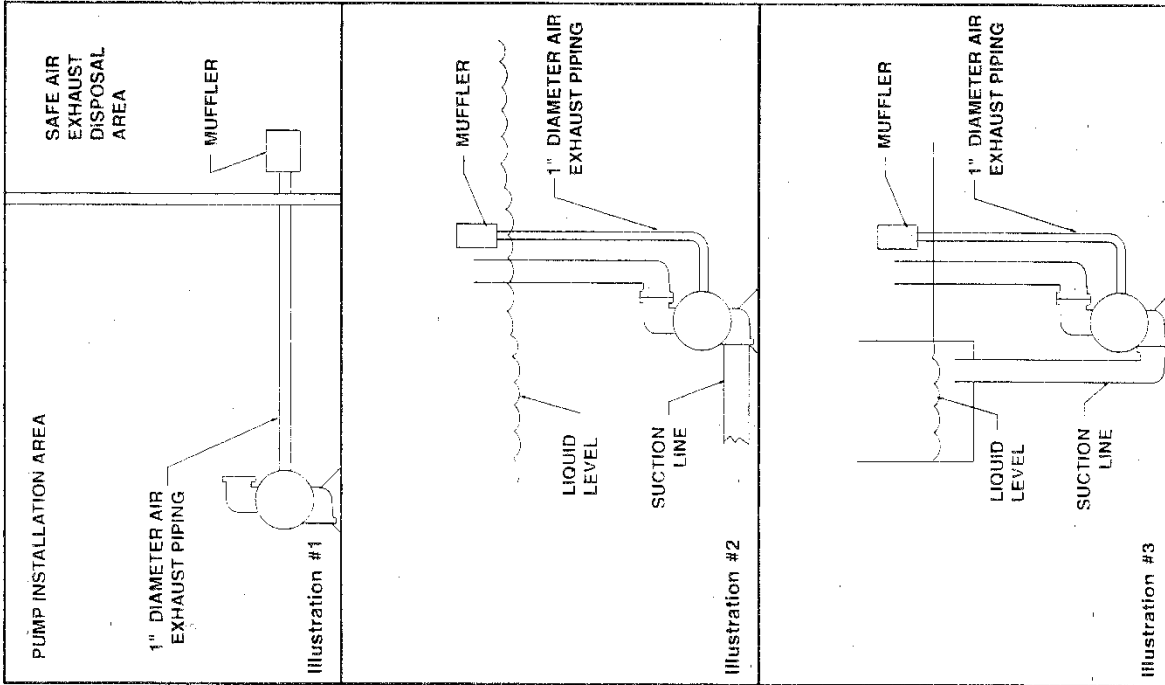
IMPORTANT INSTALLATION NOTE:

The manufacturer recommends installing a flexible hose or connection between the pump and any rigid plumbing. This reduces stresses on the molded plastic threads of the air exhaust port. Failure to do so may result in damage to the air distribution valve body.

Any piping or hose connected to the pump's air exhaust port must be physically supported. Failure to support these connections could also result in damage to the air distribution valve body.



CONVERTED EXHAUST ILLUSTRATION





APPENDIX II

Declaration of Conformity



EU Declaration of Conformity

Model Number(s) 06-5024-3300, 06-5024-3510, 06-5024-3610, 06-5024-3800

Product Type/Name: Barrel Pump

Serial Number(s): Enter serial number(s)

Declaration: Tronair has assessed the equipment described above against the Essential Health and Safety Requirements of one or more Directives. Based on this assessment, the equipment described above is deemed to comply with the directive(s) listed below.

This declaration of conformity is issued under the sole responsibility of the manufacturer.

Directives: European Machinery Directive 2006/42/EC

Standards: EN ISO 12100:2010 Safety of machinery – General principles for design – Risk assessment and risk reduction

EN ISO 4414:2010 Pneumatic fluid power – General rules and safety requirements for systems and their components

Markings:



The technical documentation for the machinery is available from:

RAUH Hydraulic GmbH
Hallstadtler Straße 63
Email: tronair@rauh-hydraulik.de

Location of Issue: Tronair, 1 Air Cargo Parkway East, Swanton, OH 43558

Identification of person empowered to sign on behalf of the Manufacturer:

Patrick Finch
Quality Assurance Representative

Enter a date
Date

