

Model: 06-5043-Series
06-5043-1500, 06-5043-1800, 06-5043-3300, 06-5043-3600
Fluid Servicing Unit

12/2014 – Rev. 05

REVISION
04

DATE
12/2014

TEXT AFFECTED
Added 06-5043-3300

TABLE OF CONTENTS

	<u>PAGE</u>
1.0 PRODUCT INFORMATION	2
1.1 DESCRIPTION.....	2
1.2 MODEL & SERIAL NUMBER.....	2
1.3 MANUFACTURER	2
2.0 SPECIFICATIONS	2
3.0 FEATURES	2
4.0 SAFETY INFORMATION.....	2
4.1 USAGE AND SAFETY INFORMATION	2
5.0 PREPARATION FOR USE	2
6.0 TRAINING	2
6.1 TRAINING REQUIREMENTS	2
7.0 OPERATION.....	3
8.0 MAINTENANCE.....	3
9.0 PROVISION OF SPARES.....	3
9.1 SOURCE OF SPARE PARTS.....	3
9.2 RECOMMENDED SPARE PARTS LISTS	3
10.0 IN SERVICE SUPPORT.....	3
11.0 GAURANTEES/LIMITATION OF LIABILITY	3

This product can not be modified without the written approval of Tronair, Inc. Any modifications done without written approval voids all warranties and releases Tronair, Inc., its suppliers, distributors, employees, or financial institutions from any liability from consequences that may occur. Only Tronair OEM replacement parts shall be used.

1.0 PRODUCT INFORMATION

1.1 DESCRIPTION

The Fluid Reservoir Service Unit is a compact unit primarily designed to provide a source of clean fluid for filling reservoirs. It is not intended for performing any pressure testing tasks.

1.2 MODEL & SERIAL NUMBER

Reference nameplate on unit

1.3 MANUFACTURER

TRONAIR, Inc.
1 Air Cargo Pkwy East
Swanton, Ohio 43558 USA

Telephone: (419) 866-6301 or 800-426-6301

Fax: (419) 867-0634

E-mail: sales@tronair.com

Website: www.tronair.com

2.0 SPECIFICATIONS

Model Number	Fluid
06-5043-1500	MIL-PRF-5606/MIL-PRF-83282
06-5043-1800	MIL-PRF-87257/MIL-L-23699
06-5043-3600	Skydrol/Hyjet
Maximum Pressure:	150 psi (10.3 bars)
Filter:	2 Micron
Dimensions: Length:	45 in (114.3 cm)
Width:	29 in (74.7 cm)
Height:	35 in (89 cm)
Weight:	250 lbs (113.4 kg)
Pump Displacement:	7.8 cubic in/stroke (127.82 cc/stroke)
Hose:	15 ft (4.6 m)
Reservoir Capacity:	15 gal (57 l) Stainless Steel
Maximum Towing Speed:	10 mph (16.1 k/hr)
Paint:	Powder Coat Tronair Blue

3.0 FEATURES

- Pneumatic tires
- Replaceable filter element

4.0 SAFETY INFORMATION

4.1 USAGE AND SAFETY INFORMATION

To insure safe operations please read the following statements and understand their meaning. Also refer to your equipment manufacturer's manual for other important safety information. This manual contains safety precautions which are explained below. Please read carefully.



WARNING! — Warning is used to indicate the presence of a hazard that **can cause severe personal injury, death, or substantial property damage** if the warning notice is ignored.

CAUTION! — Caution is used to indicate the presence of a hazard that **will or can cause minor personal injury or property damage** if the caution notice is ignored.

5.0 PREPARATION FOR USE

The unit is shipped fully assembled, and only the following steps are required to make it operational:

1. Fill reservoir with the correct fluid until fluid level is slightly above the minimum oil level mark.



CAUTION!

Only use the type of fluid for which the unit is designed. Using other fluids will cause contamination and seal deterioration.

2. Operate hand pump several times to fill line and purge air. Install coupling at hose end if applicable.

6.0 TRAINING

6.1 TRAINING REQUIREMENTS

The employer of the operator is responsible for providing a training program sufficient for safe operation.

7.0 OPERATION

To Use The Unit:

1. Securely attach hose to aircraft.
2. Operate pump handle at a slow to moderate pace with even pressure.

NOTES:

1. *It is not necessary to operate pump rapidly. The pump moves a large volume of oil per stroke and will fill a reservoir much faster than standard pumps.*
2. *A slow movement of the pump handle with a steady pressure works best.*

When Service Has Been Completed:

1. Disconnect hose from aircraft.
2. Replace protective cap on hose end to prevent dirt ingestion.

8.0 MAINTENANCE

Tires: Maintain 45 – 50 psi (3.1 – 3.4 bars) tire pressure.

Filters: The 2 micron pressure filter is of a non-bypass design. This means that, if filter becomes clogged, no fluid will pass to the aircraft and a high handle force will result. If this happens, service the filter. Do not force the pump handle as damage to unit components could result.

Service: The 2 micron pressure filter inside the unit is of a throw-away design and is *not cleanable*.

9.0 PROVISION OF SPARES

9.1 SOURCE OF SPARE PARTS

Spare parts may be obtained from the manufacturer:

TRONAIR, Inc.

1 Air Cargo Pkwy East
Swanton, Ohio 43558 USA

Telephone: (419) 866-6301 or 800-426-6301

Fax: (419) 867-0634

E-mail: sales@tronair.com

Website: www.tronair.com

9.2 RECOMMENDED SPARE PARTS LISTS

Reference the following page(s) for Replacement Parts and Kits available.

10.0 IN SERVICE SUPPORT

Contact Tronair, Inc. for technical services and information. See Section 1.3 – Manufacturer.

11.0 GAURANTEES/LIMITATION OF LIABILITY

Tronair products are warranted to be free of manufacturing or material defects for a period of one year after shipment to the original customer. This is solely limited to the repair or replacement of defective components. This warranty does not cover the following items:

- a) Parts required for normal maintenance
- b) Parts covered by a component manufacturers warranty
- c) Replacement parts have a 90-day warranty from date of shipment

If you have a problem that may require service, contact Tronair immediately. Do not attempt to repair or disassemble a product without first contacting Tronair, any action may affect warranty coverage. When you contact Tronair be prepared to provide the following information:

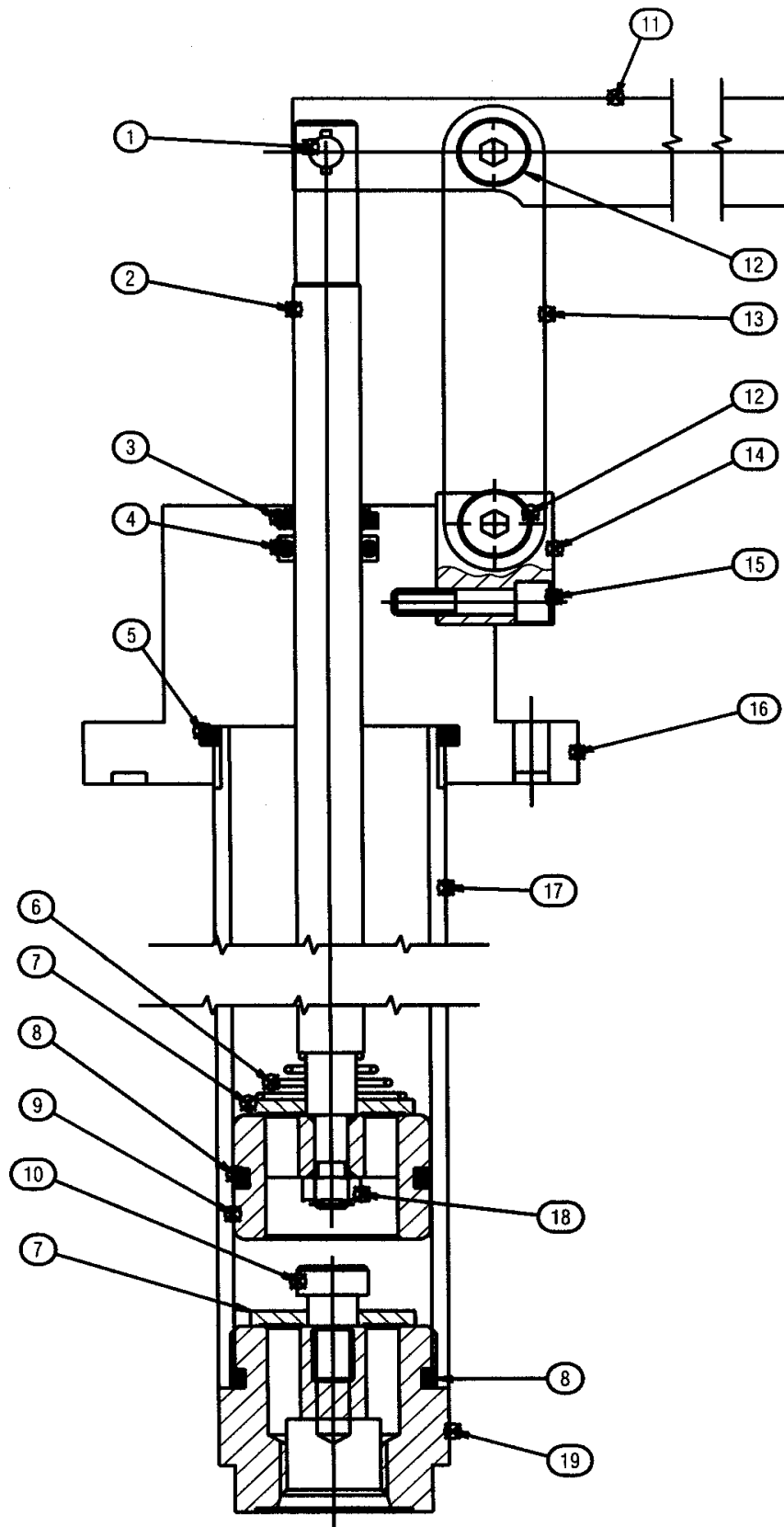
- a) Product Model Number
- b) Product Serial Number
- c) Description of the problem

If warranty coverage is approved, either replacement parts will be sent or the product will have to be returned to Tronair for repairs. If the product is to be returned, a Return Material Authorization (RMA) number will be issued for reference purposes on any shipping documents. Failure to obtain a RMA in advance of returning an item will result in a service fee. A decision on the extent of warranty coverage on returned products is reserved pending inspection at Tronair. Any shipments to Tronair must be shipped freight prepaid. Freight costs on shipments to customers will be paid by Tronair on any warranty claims only. Any unauthorized modification of the Tronair products or use of the Tronair products in violation of cautions and warnings in any manual (including updates) or safety bulletins published or delivered by Tronair will immediately void any warranty, express or implied.

The obligations of Tronair expressly stated herein are in lieu of all other warranties or conditions expressed or implied. **Any unauthorized modification of the Tronair products or use of the Tronair products in violations of cautions and warnings in any manual (including updates) or safety bulletins published or delivered by Tronair will immediately void any warranty, express or implied and Tronair disclaims any and all liability for injury (WITHOUT LIMITATION and including DEATH), loss or damage arising from or relating to such misuse.**

HC-2252/HC-2172/HC-2173 Hand Pump Section View

When ordering replacement parts/kits, please specify model, serial number and color of your unit.



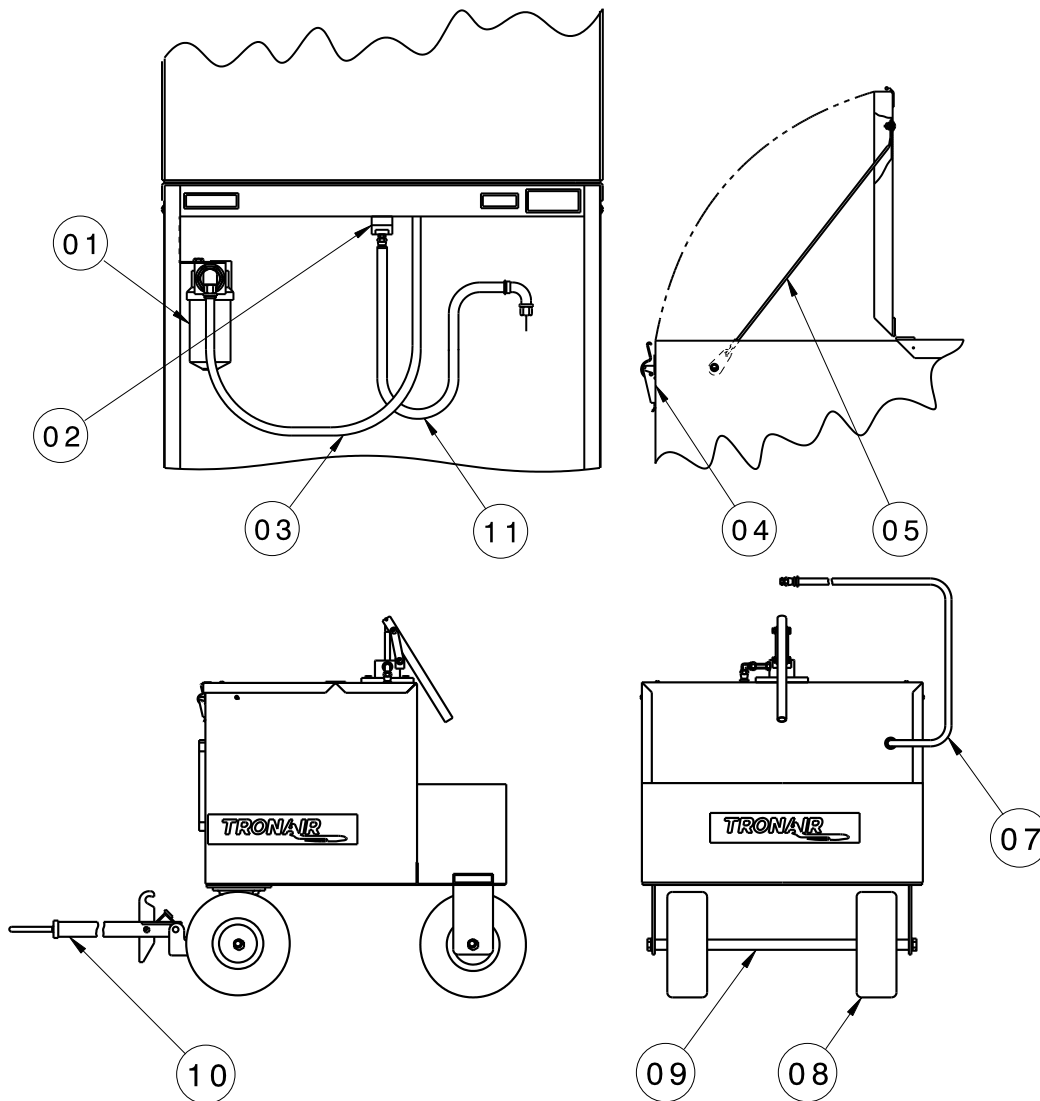
Parts List

When ordering replacement parts/kits, please specify model, serial number and color of your unit.

Item	Part Number	Description	Qty
2	CXD-020046-004	Piston Rod	1
6	CENT-TA-2098	Spring	1
7	CXD-020004-006	Flapper	2
9	CDX-020004-005	Piston	1
10	09-AHDF-06-18 x 04	Shoulder Screw	1
13	512-000	Strap	2
14	CXD-020004-009	Mounting Block	1
15	09-ADDF-0J-32 x 14	Socket Head Cap Screw	1
16	CXD-020004-002	Cap & Mounting Flange	1
17	CXD-020004-003	Tube	1
18	08-ADFH-04-28	Prevailing Locknut	1
19	CXD-020004-001	End Cap, Blind End	1
	HK-3717	Kit, Handle Replacement; consists of:	1
1		Pin Linkage Assembly	1
11		Pump Handle	1
12		Pin Linkage Assembly	2
HC-2173 (Phosphate Ester, HyJet V Fluid) 06-5043-3300, 06-5043-3600			
	HK-3720	Kit, Pump Seal Replacement; consists of:	1
3		Wiper, EPR	1
4		O-ring, EPR	1
5		O-ring, EPR	1
8		O-ring, EPR	2
HC-2252 (MIL-L-23699, MIL-PRF-87257) 06-5043-0800			
	K-3834	Kit, Pump Seal Replacement; consists of:	1
3		Wiper, VITON	1
4		O-ring, VITON	1
5		O-ring, VITON	1
8		O-ring, VITON	2
HC-2172 (MIL-PRF-5606, MIL-PRF-83282) 06-5043-0500			
	HK-3719	Kit, Pump; consists of:	1
3		Wiper, BUNA	1
4		O-ring, BUNA	1
5		O-ring, BUNA	1
8		O-ring, BUNA	2

Internal/ External Components

When ordering replacement parts/kits, please specify model, serial number and color of your unit.



Item	Part Number	Description	Qty
4	K-1768	Kit, Latch; consists of:	
	H-1646	Strike, Right Angle	1
	H-1647	Clamp	1
5	K-1767	Kit, Lanyard Assembly; consists of:	
	G-1159-103504	Screw, #10-32, Round Head Cross Recess	4
	G-1202-1035	Stopnut, #10-32 Elastic	4
	G-1250-1070N	Flatwasher, 3/8 Narrow	4
	Z-1597*18.0	Assembly, Lanyard	2
8	K-1550	Kit, Wheel (Single); consists of:	
	G-1203-1115	Jamnut, 3/4-16 Elastic	1
	G-1250-1110N	Flatwasher, 3/4 Narrow	1
	TR-1585	Spacer, Wheel	1
	U-1027	Wheel, Pneumatic Tire	1

Internal/External Components

When ordering replacement parts/kits, please specify model, serial number and color of your unit.

Item	Part Number	Description	Qty
9	K-1765	Kit, Axle; consists of:	
	G-1203-1115	Jamnut, 3/4-16 Elastic	1
	G-1250-1110N	Flatwasher, 3/4 Narrow	1
	R-1292	Axle	1
10	Z-2036	Weldment, Tongue	1
Not Shown	N-2052-06	Tube, Expander	1

THE FOLLOWING PARTS ARE FLUID SPECIFIC

Parts List - 06-5043-0500
MIL-PRF-5606/MIL-PRF-83282

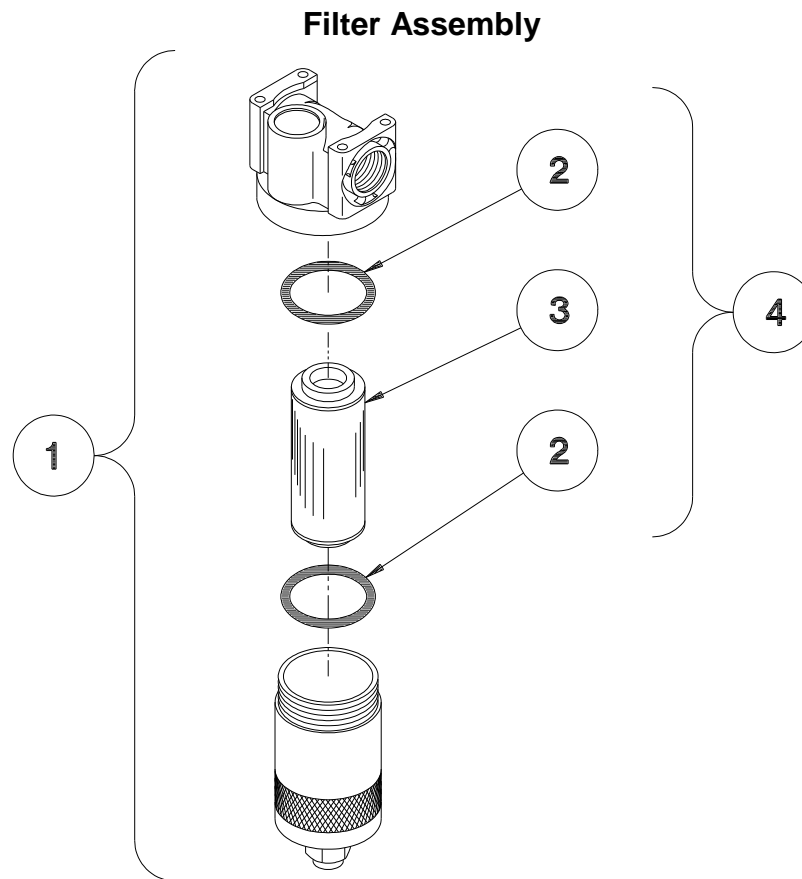
Item	Part Number	Description	Qty
1	HC-1481	Assembly, Filter	1
2	HC-2172	Hand Pump	1
3	TF-1047-04*40.0	Hose, 3/8	1
7	TF-1047-04*180	Hose, 3/8" x 180" long	1
11	TF-1047-05*36.0	Assembly, Hose	1

Parts List - 06-5043-0800
MIL-PRF-87257/MIL-L-23699

Item	Part Number	Description	Qty
1	HC-1826	Assembly, Filter	1
2	HC-2252	Hand Pump	1
3	TF-1105-06*40.0	Hose, 3/8	1
7	TF-1105-06*18.0	Hose, 3/8" x 180" long	1
	N-2026-03-B	Swivel, JIC 37°	1
11	TF-1105-08*36.0	Assembly, Hose	1

Parts List - 06-5043-3300, 06-5043-3600
HyJet V, Phosphate Ester

Item	Part Number	Description	Qty
1	HC-1480	Assembly, Filter	1
2	HC-2173	Hand Pump	1
3	TF-1067-01*40.0	Hose, 3/8	1
7	TF-1067-01*180	Hose, 3/8" x 180" long	1
11	TF-1067-03*36.0	Assembly, Hose	1



Parts List - 06-5043-0500
MIL-PRF-5606/MIL-PRF-83282

Item	Part Number	Description	Qty
1	HC-1481	Assembly, Filter	1
2	HC-2007-142	O-Ring, Series 2 (VITON)	2
3	HC-1482	Element, Filter	1
4	K-3098	Kit, Filter Element	1

Parts List - 06-5043-0800
MIL-PRF-87257/MIL-L-23699

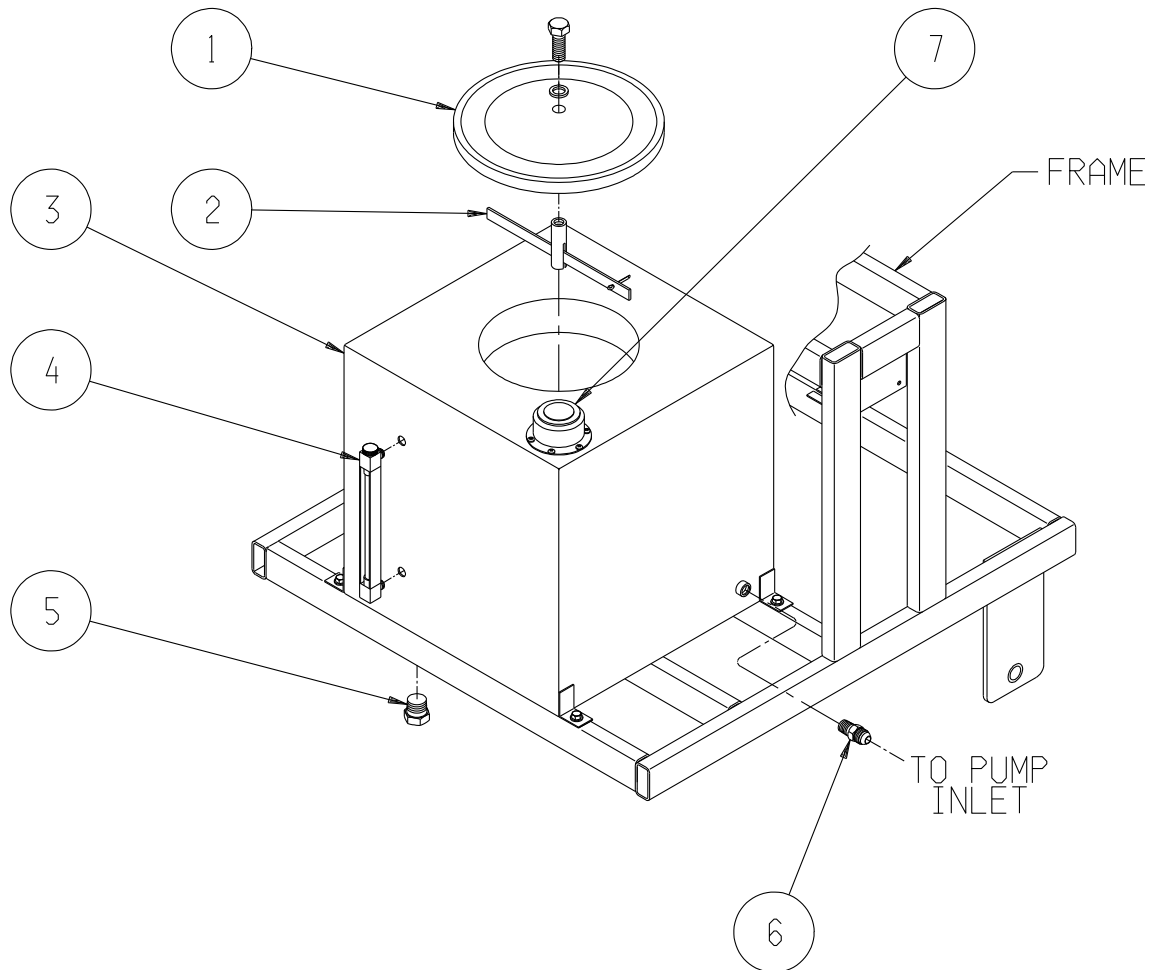
Item	Part Number	Description	Qty
1	HC-1826	Assembly, Filter	1
2	HC-2007-142	O-Ring, Series 2 (VITON)	2
3	HC-1482	Element, Filter	1
4	K-3098	Kit, Filter Element	1

Parts List - 06-5043-3300, 06-5043-3600
HyJet V, Phosphate Ester

Item	Part Number	Description	Qty
1	HC-1480	Assembly, Filter	1
2	HC-2006-142	O-Ring, Series 2 (ERP)	2
3	HC-1483	Element, Filter	1
4	K-3099	Kit, Filter Element	1

Reservoir Assembly

When ordering replacement parts/kits, please specify model, serial number and color of your unit.



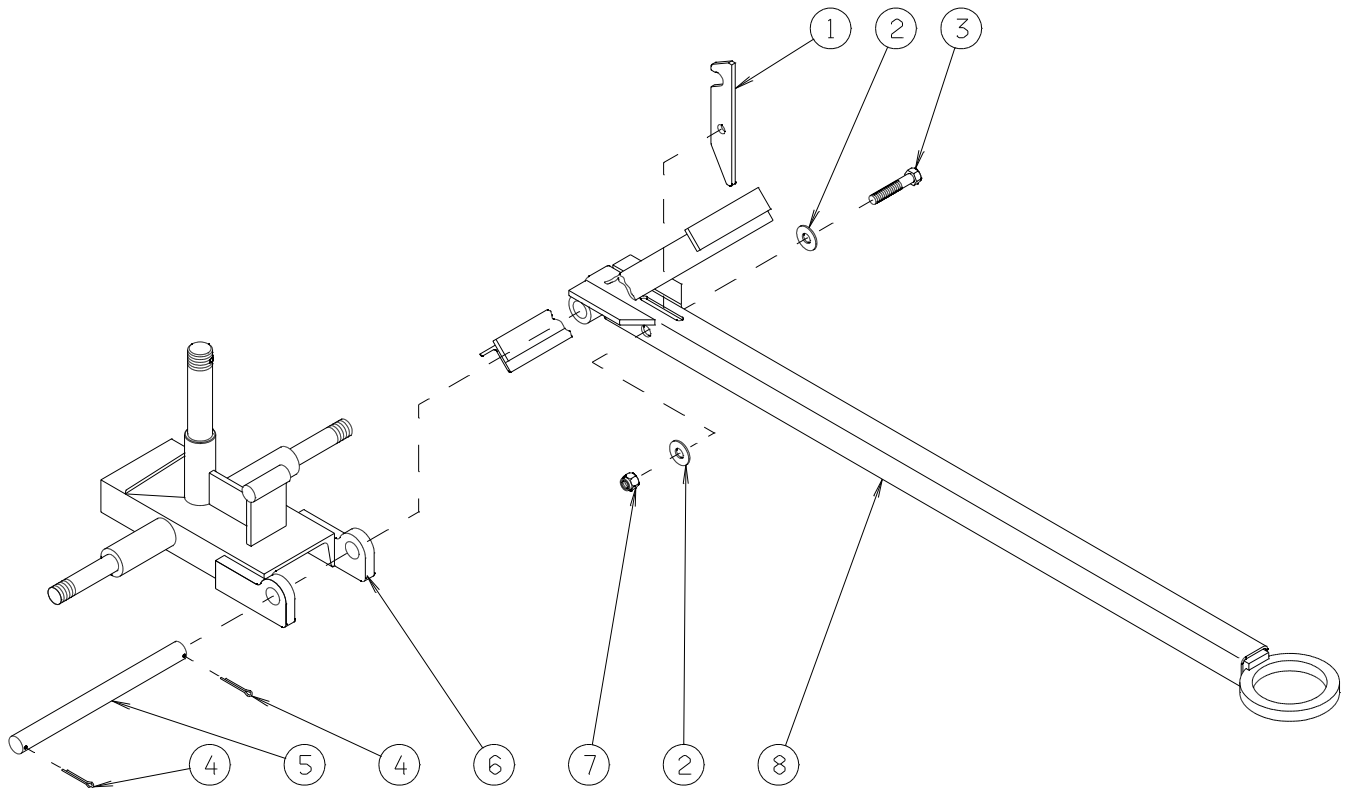
Item	Part Number	Description	Qty
2	Z-2394-01	Assembly, Clamp	1
3	H-2355	Reservoir, 15 gallon Stainless Steel	1
5	N-2206-06-S	Plug, Hex Head, 3/4 NPT	1
6	N-2009-14-S	Connector, Male, #8 JIC x 1/2 NPT	1
7	HC-1030	Filler-Breather	1

THE FOLLOWING PARTS ARE FLUID SPECIFIC

06-5043-0500 (MIL-PRF-5606, MIL-PRF-83282)			
1	H-1740	Assembly, Cover	1
4	HC-1382-08	Gauge, Sight	1
06-5043-0800 (MIL-L-23699, MIL-PRF-87257)			
1	H-1740	Assembly, Cover	1
4	HC-2212-08	Gauge, Sight	1
06-5043-3300, 06-5043-3600 (Phosphate Ester, HyJet V Fluid)			
1	H-1741	Assembly, Cover	1
4	HC-1383-08	Gauge, Sight	1

Towbar Assembly

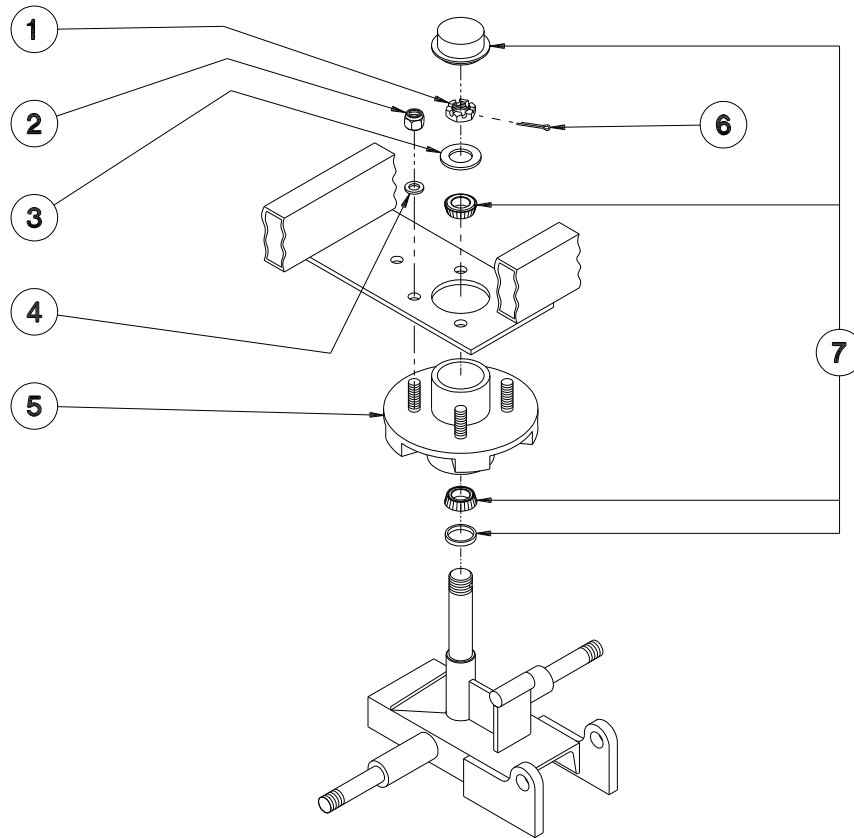
When ordering replacement parts/kits, please specify model, serial number and color of your unit.



Item	Part Number	Description	Qty
6	Z-2037	Weldment, Truck	1
8	Z-2036	Weldment, Tongue	1
	K-1249	Kit, Towbar Pin Replacement; consists of:	
4	G-1301-03	Pin, 1/8" diameter x 1-1/2" long	2
5	R-1122	Pin	1
	K-1320	Kit, Locking Lever Replacement; consists of:	
1	J-1626	Lever	1
2	G-1250-1090N	Flatwasher, 1/2 Narrow	2
3	G-1100-109522	Bolt, Hex Head, Grade 5, 1/2-20 x 2-1/4" long	1
7	G-1202-1095	Stopnut, 1/2-20 Elastic	1

Truck Assembly

When ordering replacement parts/kits, please specify model, serial number and color of your unit.



Item	Part Number	Description	Qty
3	G-1283	Spindle Washer	1
	K-1253	Kit, Hub Bearing and Seal; consists of:	
7	G-1561-05	Seal, Grease	1
	H-1559-01	Bearings	2
	H-1155-01	Cap, Dust	1
	G-1301-03	Pin, Cotter	1
	K-1255	Kit, Hub Assembly; consists of:	
1	G-1230-01	Nut, Axle	1
2	G-1202-1095	Stopnut, 1/2-20 Elastic	4
4	G-1250-1090N	Flatwasher, 1/2 Narrow	4
5	H-1335	Hub, Idler	1
6	G-1301-03	Pin, Cotter	1