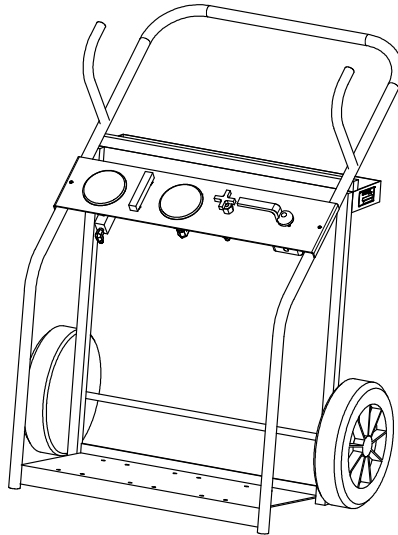




Operation & Service Manual



**Model: 06-5076-9410
Brake Bleed Cart**

01/2014 – Rev. 02

Includes Illustrated Parts Lists

REVISION
01
02

DATE
10/2013
01/2014

TEXTAFFECTED
Original Release
Modified Parts List



TABLE OF CONTENTS

	<u>PAGE</u>
1.0 SPECIFICATIONS/FEATURES.....	1
2.0 OPERATION.....	1
2.1 BRAKE BLEEDING	1
2.2 BRAKE TEST	1
Hydraulic Schematic.....	2

This product can not be modified without the written approval of Tronair, Inc. Any modifications done without written approval voids all warranties and releases Tronair, Inc., its suppliers, distributors, employees, or financial institutions from any liability from consequences that may occur. Only Tronair OEM replacement parts shall be used.

1.0 SPECIFICATIONS/FEATURES

The Tronair 06-5076-9410 Brake Bleed Cart was designed to allow for brake bleeding and measure brake pressures at the calipers.

- Weight: 90 lbs (40.8 kg)
- Dimensions: Length: 33.5 in (85.09 cm)
Width: 25.5 in (64.77 cm)
Height: 43 in (109.22 cm)
- Fluid: Phosphate Ester
- Gauges: 0-300 psi, \pm 1% accuracy of full scale
0-5000 psi, \pm 1% accuracy of full scale
- Sight Gauge
- Selector Valve
- Brake Adapters
- 30 ft Hose Assembly with Plug

2.0 OPERATION

CAUTION!



All brake maintenance to be performed in accordance to Aircraft Manufacturer's Maintenance Manual & Government Regulations, as applicable

2.1 BRAKE BLEEDING

1. Connect the hose provided with unit to the brake caliper per aircraft manufacturer procedure.



CAUTION!

Make sure sample valve on unit is closed and brake pressure is at zero.

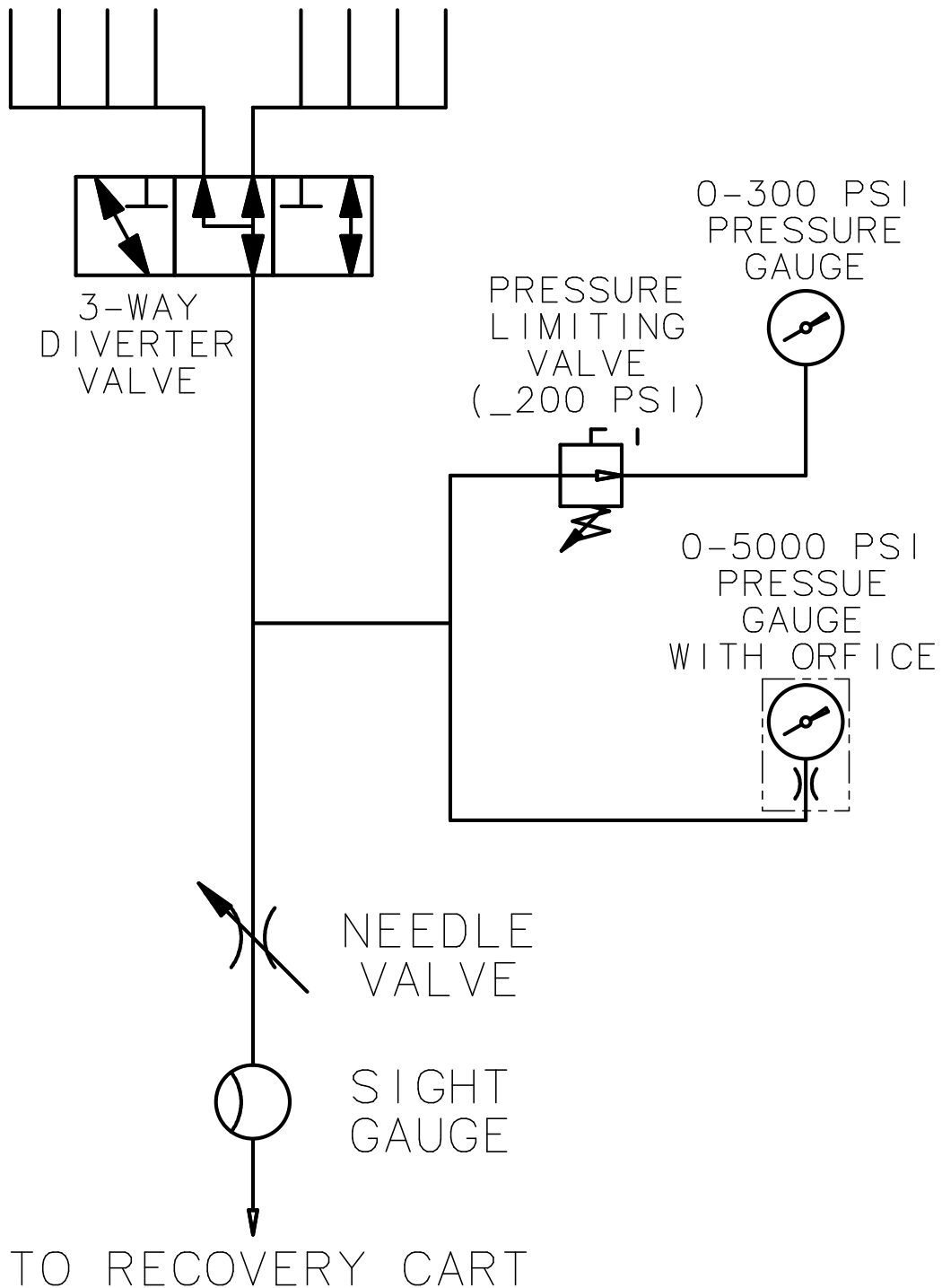
2. Open needle valve.
3. Observe oil for air through sight gauge.
4. Close valve when all air is removed.

2.2 BRAKE TEST

1. Test per manufacturer's maintenance manual.
2. Use needle valve to relieve pressure prior to disconnecting hose.

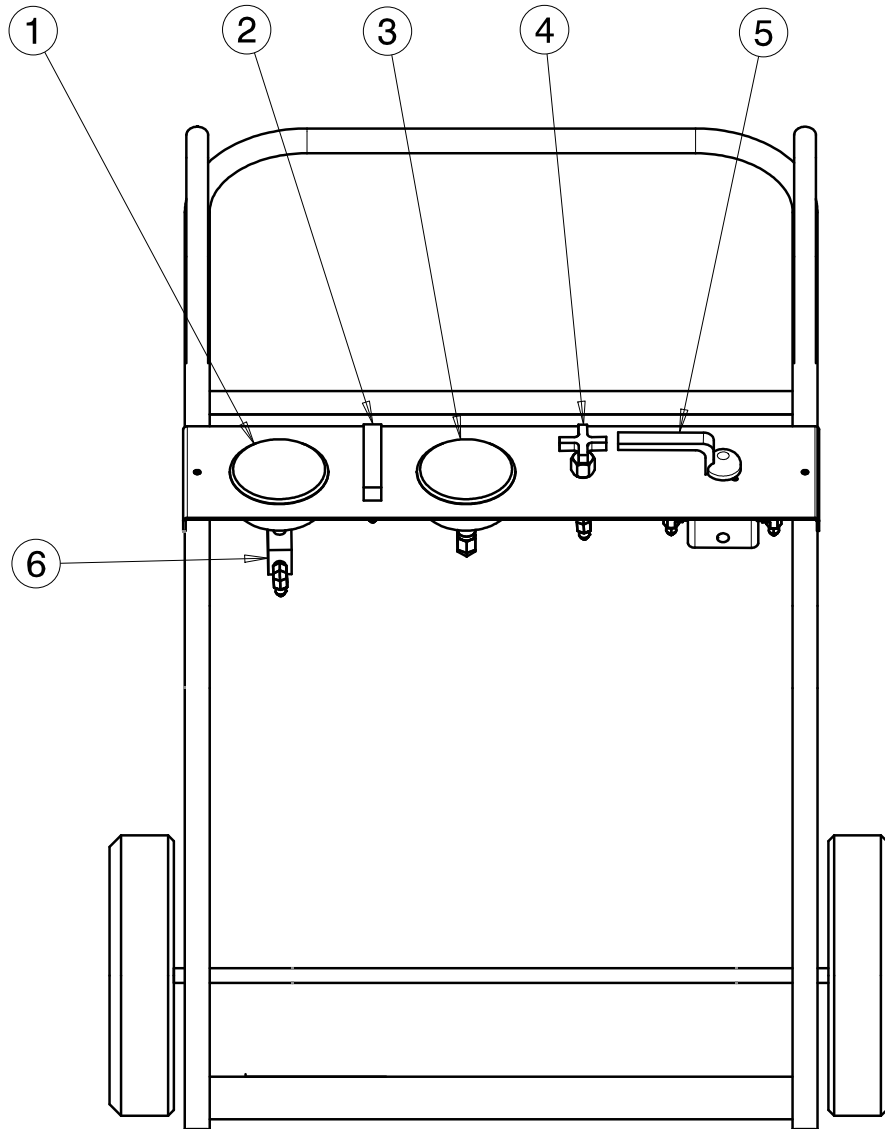
NOTE: Gauge Cutout Valve is set to prevent Low Pressure Gauge from exceeding 300 PSIG

FIGURE 1 – Hydraulic Schematic



Parts List

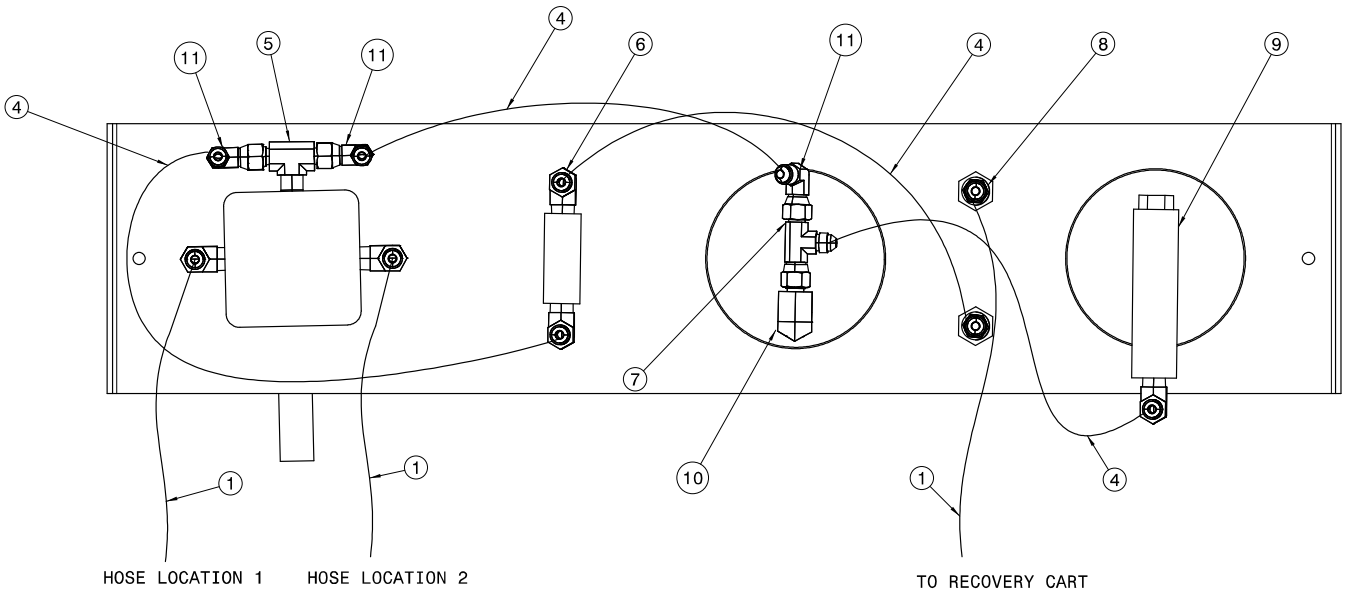
When ordering replacement parts/kits, please specify model, serial number and color of your unit.



Item	Part Number	Description	Qty
1	HC-1423	Gauge, Pressure (0-300 psi)	1
2	HC-1383-03	Gauge, Sight	1
3	HC-1399	Gauge, Pressure (0-5000 psi)	1
4	HC-1081-02	Valve, Needle	1
5	HC-2538	Valve, 3-Way Director	1
6	HC-1855-01	Valve, Gauge Cutout	1

Parts List

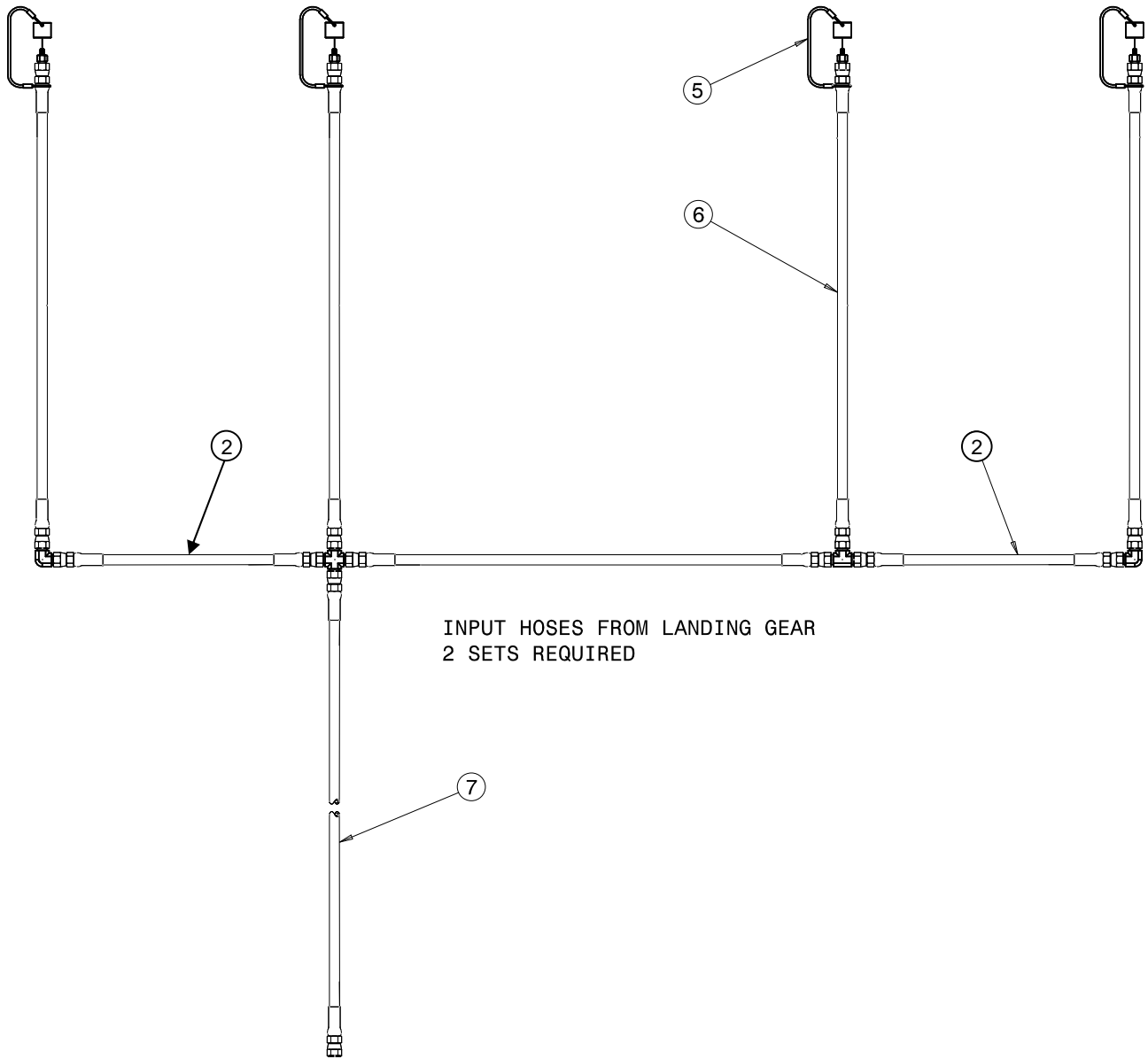
When ordering replacement parts/kits, please specify model, serial number and color of your unit.



Item	Part Number	Description	Qty
1	TF-1041-05*120.0	Assembly, Hose	3
4	TF-1041-05*16.0	Assembly, Hose	4
5	N-2018-04-S	Tee, Male Branch	1
6	N-2005-04-S	Elbow, Male	5
7	N-2016-03-S	Tee, Run, Swivel Nut	1
8	N-2009-03-S	Connector, Male	2
9	N-2006-04-S	Elbow, Female	1
11	N-2002-03-S	Elbow, Swivel Nut	3

Parts List

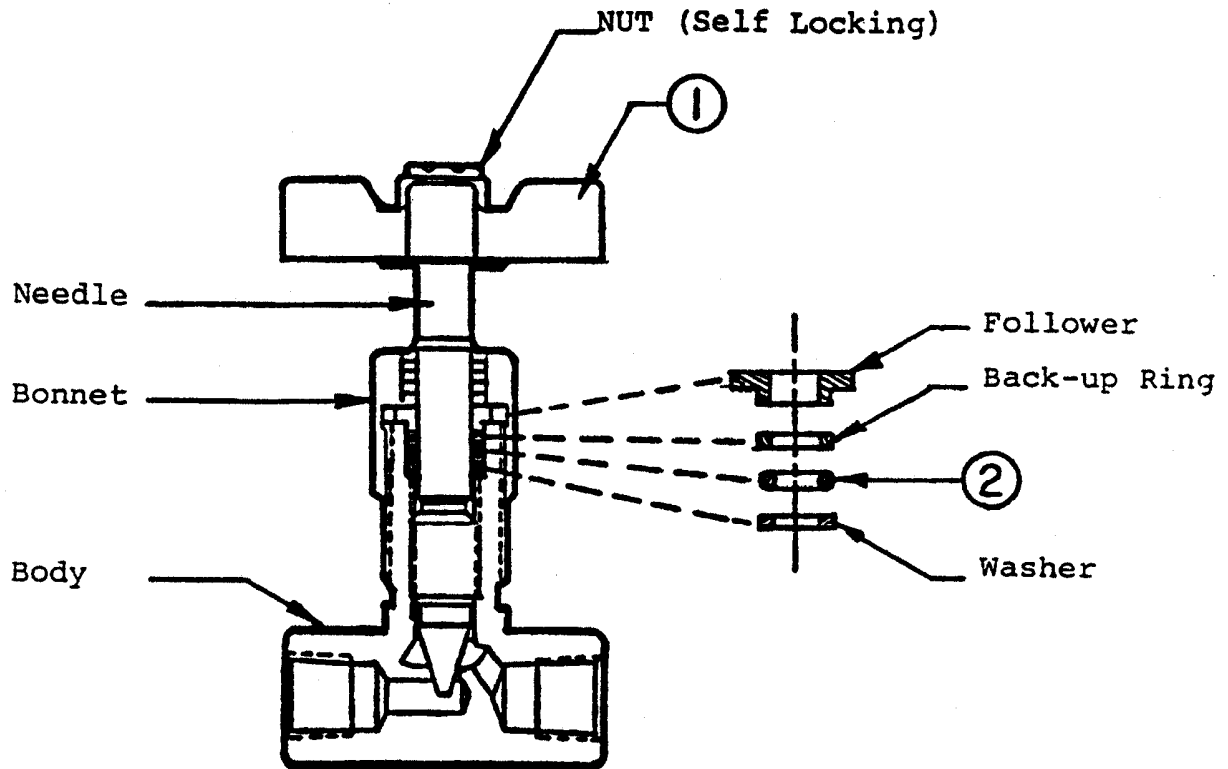
When ordering replacement parts/kits, please specify model, serial number and color of your unit.



TO HOSE LOCATIONS 1 & 2

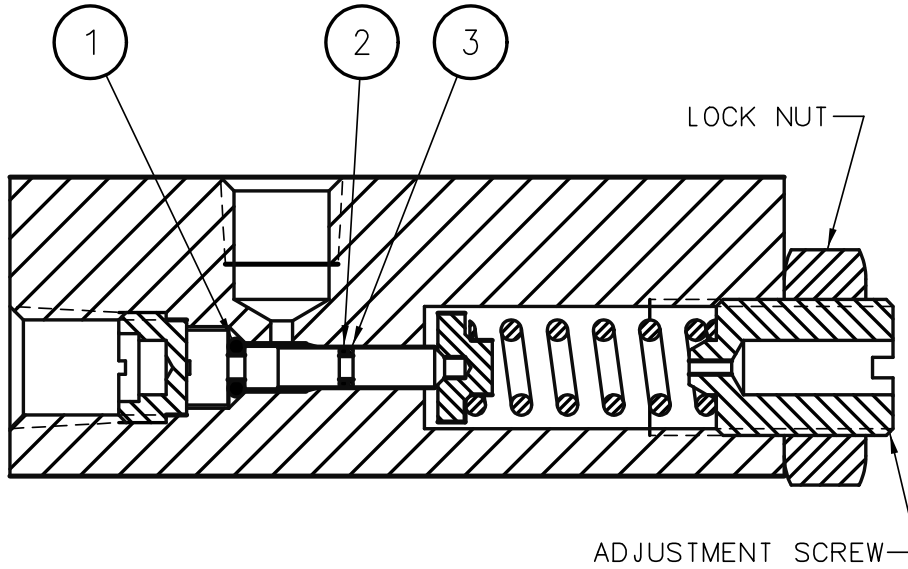
Item	Part Number	Description	Qty
2	TF-1041-05*09.9	Assembly, Hose	4
5	K-4395	Kit, Brake Adapter	8
6	TF-1041-05*18.0	Assembly, Hose	10
7	TF-1041-05*120	Assembly, Hose	2

Parts List
Needle Valve Assembly
HC-1081-02



Item	Part Number	Description	Qty
1	HC-1082	Handle, Valve	1
2	HC-2006-011	O-Ring	1

Parts List
 Gauge Cutout Valve
 HC-1855-01



Item	Part Number	Description	Qty
	K-3106	Kit, Seal Replacement; consists of:	
1	HC-2030	O-ring	1
2	HC-2031	O-ring	1
3	HC-2032	Ring, Backup	1