

Model: 08-0134-4000
48" Modular Engine Sling

This product can not be modified without the written approval of Tronair, Inc. Any modifications done without written approval voids all warranties and releases Tronair, Inc., its suppliers, distributors, employees, or financial institutions from any liability from consequences that may occur. Only Tronair OEM replacement parts shall be used.

This engine sling is designed to be used with the engine strap kits listed in the table for the corresponding engines noted. Always follow the manufacturer's instructions for proper engine handling.

This engine sling consists of a light weight aluminum construction with a lifting point adjustable to 20-13/16 inches. The engine strap hangers are adjustable from two (2) to 48 inches spacing centered on the bar

ENGINE STRAP KIT NO.	ENGINE USED ON	FRONT STRAP	QTY	SPREADER BAR ASSY	REAR STRAP	QTY	SPREADER BAR ASSY
K-2809	TFE-730-20-1B	Z-3894	2	N/A	Z-3893	1	N/A
K-2866	FJ-44-1A	Z-3933	1	N/A	Z-3935	1	N/A
	FJ-44-2C				Z-3937	1	
K-2867	FJ-44-1C	Z-3352	1	NA	Z-3350	1	N/A
		Z-3356	1		Z-3354	1	
K-2897	TFE-731-2	Z-3894	2	N/A	Z-3992	1	N/A
K-2906	PT6-A50	Z-2900	1	N/A	Z-2898	2	N/A
K-2908	LTS-101	Z-4006	1	N/A	Z-4006	1	N/A
K-2850	JT15D-1	Z-3922	1	N/A	Z-3926	2	Z-3983
	JT15D-4						
	JT15D-5						
K-2851	JT15D-4	Z-3924	1	N/A	Z-3926	2	Z-3983
K-2868	PW530A	Z-3636	2	N/A	Z-3635	1	N/A
	PW545A				Z-3974		
K-2899	PT6-B36	Z-3989	1	N/A	Z-3922	1	N/A
		Z-3991					
K-2869	PW120	Z-3941	2	N/A	Z-3943	1	N/A
		Z-3955			Z-3957		
K-2877	PW119B	Z-3941	2	N/A	Z-3943	1	N/A
					Z-3955	2	
K-2898	PT6-41	Z-3996	1	N/A	Z-3994	1	N/A
	PT6-42						
	PT6-60						
K-3067	PW535	Z-3636	2	N/A	Z-3989	1	N/A
					Z-4330		
K-4072	PW615F	Z-6203	1	N/A	Z-6200	1	N/A

INSPECTION/MAINTENANCE

SERVICE	INTERVAL	
Normal	Yearly	Inspect equipment at site of use. Operation with various weights within the rated load limit, or uniform loads less than 65 percent of rated load.
Heavy	Semi-Annual	Inspect equipment at site of use unless external conditions indicate that disassembly should be done to permit detailed inspection. Operation within the rated load limit that exceeds normal service.
Severe	Quarterly	Inspect equipment at site of use unless external conditions indicate that disassembly should be done to permit detailed inspection. Operation at normal or heavy service under abnormal operating conditions.
Special/ Infrequent	As recommended by a qualified person before the first such use and as directed by the qualified person for any subsequent uses	

It is recommended to send Equipment to Manufacturer or Authorized Service Center for Recertification.

Rated load at engine sling lift hole: 2500 lbs.

The rated capacity shall not be more than 80 percent of the maximum load sustained during the test. Test loads shall not be more than 125 percent of the rated capacity unless otherwise recommended by the manufacturer. Test weights shall be accurate to within -5 percent, +0 percent of stipulated values.

TEST PROCEDURE

1. Load test sling to 125% of rated load
2. Hold for one (1) minute.
3. Remove the sling from the test weight and inspect the entire sling for broken welds, elongated holes, or any other signs of failure.)

GUARANTEES/LIMITATION OF LIABILITY

Tronair products are warranted to be free of manufacturing or material defects for a period of one year after shipment to the original customer. This is solely limited to the repair or replacement of defective components. This warranty does not cover the following items:

- a) Parts required for normal maintenance
- b) Parts covered by a component manufacturers warranty
- c) Replacement parts have a 90-day warranty from date of shipment

If you have a problem that may require service, contact Tronair immediately. Do not attempt to repair or disassemble a product without first contacting Tronair, any action may affect warranty coverage. When you contact Tronair be prepared to provide the following information:

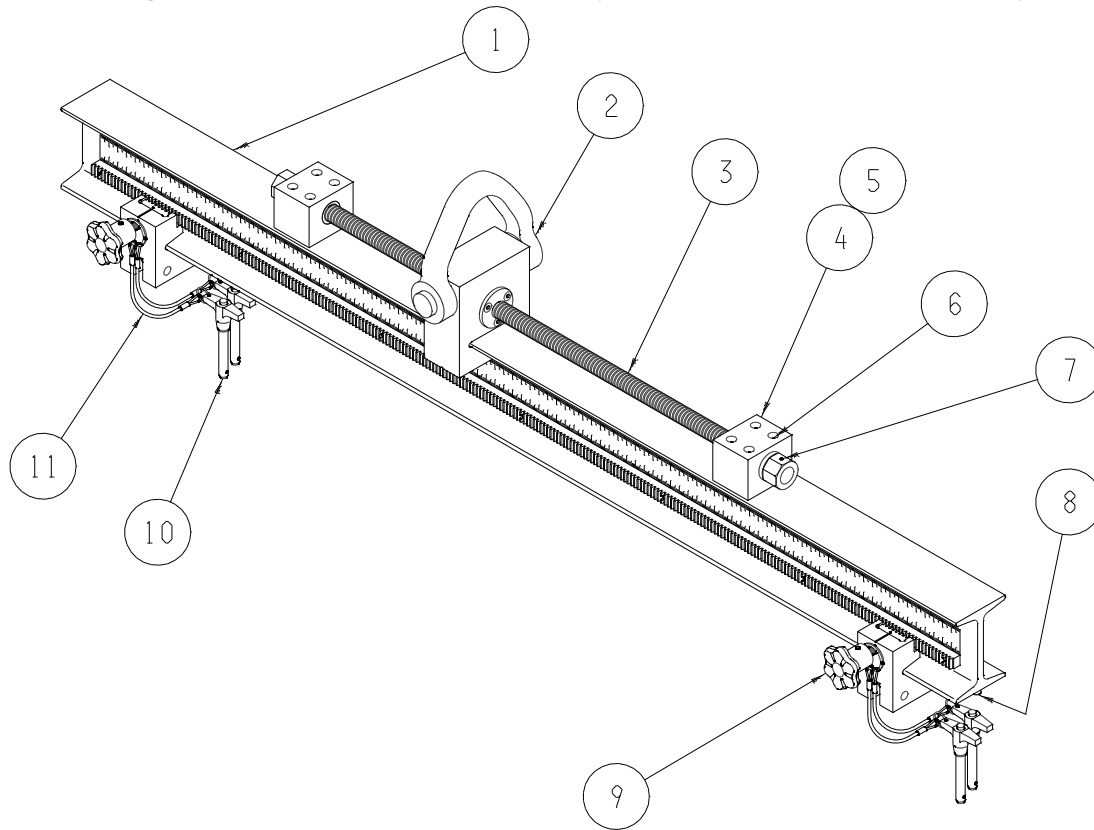
- a) Product Model Number
- b) Product Serial Number
- c) Description of the problem

If warranty coverage is approved, either replacement parts will be sent or the product will have to be returned to Tronair for repairs. If the product is to be returned, a Return Material Authorization (RMA) number will be issued for reference purposes on any shipping documents. Failure to obtain a RMA in advance of returning an item will result in a service fee. A decision on the extent of warranty coverage on returned products is reserved pending inspection at Tronair. Any shipments to Tronair must be shipped freight prepaid. Freight costs on shipments to customers will be paid by Tronair on any warranty claims only. Any unauthorized modification of the Tronair products or use of the Tronair products in violation of cautions and warnings in any manual (including updates) or safety bulletins published or delivered by Tronair will immediately void any warranty, express or implied.

The obligations of Tronair expressly stated herein are in lieu of all other warranties or conditions expressed or implied. **Any unauthorized modification of the Tronair products or use of the Tronair products in violations of cautions and warnings in any manual (including updates) or safety bulletins published or delivered by Tronair will immediately void any warranty, express or implied and Tronair disclaims any and all liability for injury (WITHOUT LIMITATION and including DEATH), loss or damage arising from or relating to such misuse.**

Parts List

When ordering Replacement Parts/Kits, please specify Model, Color and Serial Number of your Unit



Item	Part Number	Description	Qty
1	M-1080	Bar, Modular Engineering	Not Sold Separately
2	Z-3517	Assembly, Clevis Block	1
8	G-1151-105203	Screw, Socket Head Cap, 1/4-20 x 3/8" long	2
9	Z-3900	Assembly, Slide Block	2
	K-2947	Kit, Acme Rod Replacement; consists of:	
3	Z-3905	Assembly, Acme Rod	1
7	G-1300-13100	Pin, Roll, 1/8" diameter x 1" long	1
	K-2948	Kit, Guide Block Replacement; consists of:	
4	J-2577	Block, Guide	1
5	H-2019-61	Bearing, Flange	1
6	G-1151-105220	Screw, Socket Head Cap 1/4-20 x 2" long	4
	K-2949	Kit, Ball Lok-T Pin Replacement; consists of:	
10	G-1310-0620	Pin, Ball Lok-T, 3/8" diameter x 2" long	1
11	H-1026*07.0	Assembly, Lanyard	1