

Model: 13-6605-6000
Actuator Adjustment Tool
AGE13603



02/2007 – Rev. 02

REVISION
02

DATE
02/2007

TEXT AFFECTED
Major Revision

TABLE OF CONTENTS

	<u>PAGE</u>
1.0 GENERAL DESCRIPTION	1
2.0 TOOL SPECIFICATIONS	1
3.0 OPERATION.....	1
4.0 MAINTENANCE	1
5.0 PARTS LIST	1
6.0 GUARANTEES/LIMITATION OF LIABILITY	2
7.0 APPENDICES.....	2

This product can not be modified without the written approval of Tronair, Inc. Any modifications done without written approval voids all warranties and releases Tronair, Inc., its suppliers, distributors, employees, or financial institutions from any liability from consequences that may occur. Only Tronair OEM replacement parts shall be used.

1.0 GENERAL DESCRIPTION

This tool is for adjustment of the Ram Air Turbine actuator rod end to achieve proper stowed position preload. This tool is to be used in conjunction with Aircraft manufacturers AMM's adjustment procedures of the actuator rod end.

2.0 TOOL SPECIFICATIONS

Material: The tool's components are made from type 303 & 304 stainless steel
Passivated for corrosion protection, and mounted to an anodized aluminum base.

Length: 26 ¼ in (66.7 cm)

Height: 4 ½ in (11.4 cm)

Width: 4 in (10.2 cm)

Weight: 11 lbs (5 kg) tool only
18 lbs (8.2 kg) with case

Case: Impact resistant ABS plastic box with foam liner

For use with the following Hamilton Sundstrand LRU part numbers:

1703785 basic and subsequent builds

1707328 basic and subsequent builds

1709481 basic and subsequent builds

3.0 OPERATION

Follow aircraft manufacturer's AMM procedures for proper adjustment of the deployed actuator length and tool usage.



WARNING!

Always follow aircraft manufacturer's instructions & procedures.

4.0 MAINTENANCE

A. Before Each Use:

- Inspect for damaged, worn or missing parts (per Parts List, Section 5)
- Ensure free sliding operation of all components when knurled knobs (Item 5 on Parts List) is loosened
- All bolted items are securely mounted

B. Annually:

- Disassemble, clean and inspect for wear or damage. Replace any worn or damaged parts. Lightly coat all threaded components with anti-seize compound.

5.0 PARTS LIST

Reference Parts List and Illustration on following page.

6.0 GUARANTEES/LIMITATION OF LIABILITY

Tronair products are warranted to be free of manufacturing or material defects for a period of one year after shipment to the original customer. This is solely limited to the repair or replacement of defective components. This warranty does not cover the following items:

- a) Parts required for normal maintenance
- b) Parts covered by a component manufacturers warranty
- c) Replacement parts have a 90-day warranty from date of shipment

If you have a problem that may require service, contact Tronair immediately. Do not attempt to repair or disassemble a product without first contacting Tronair, any action may affect warranty coverage. When you contact Tronair be prepared to provide the following information:

- a) Product Model Number
- b) Product Serial Number
- c) Description of the problem

If warranty coverage is approved, either replacement parts will be sent or the product will have to be returned to Tronair for repairs. If the product is to be returned, a Return Material Authorization (RMA) number will be issued for reference purposes on any shipping documents. Failure to obtain a RMA in advance of returning an item will result in a service fee. A decision on the extent of warranty coverage on returned products is reserved pending inspection at Tronair. Any shipments to Tronair must be shipped freight prepaid. Freight costs on shipments to customers will be paid by Tronair on any warranty claims only. Any unauthorized modification of the Tronair products or use of the Tronair products in violation of cautions and warnings in any manual (including updates) or safety bulletins published or delivered by Tronair will immediately void any warranty, express or implied.

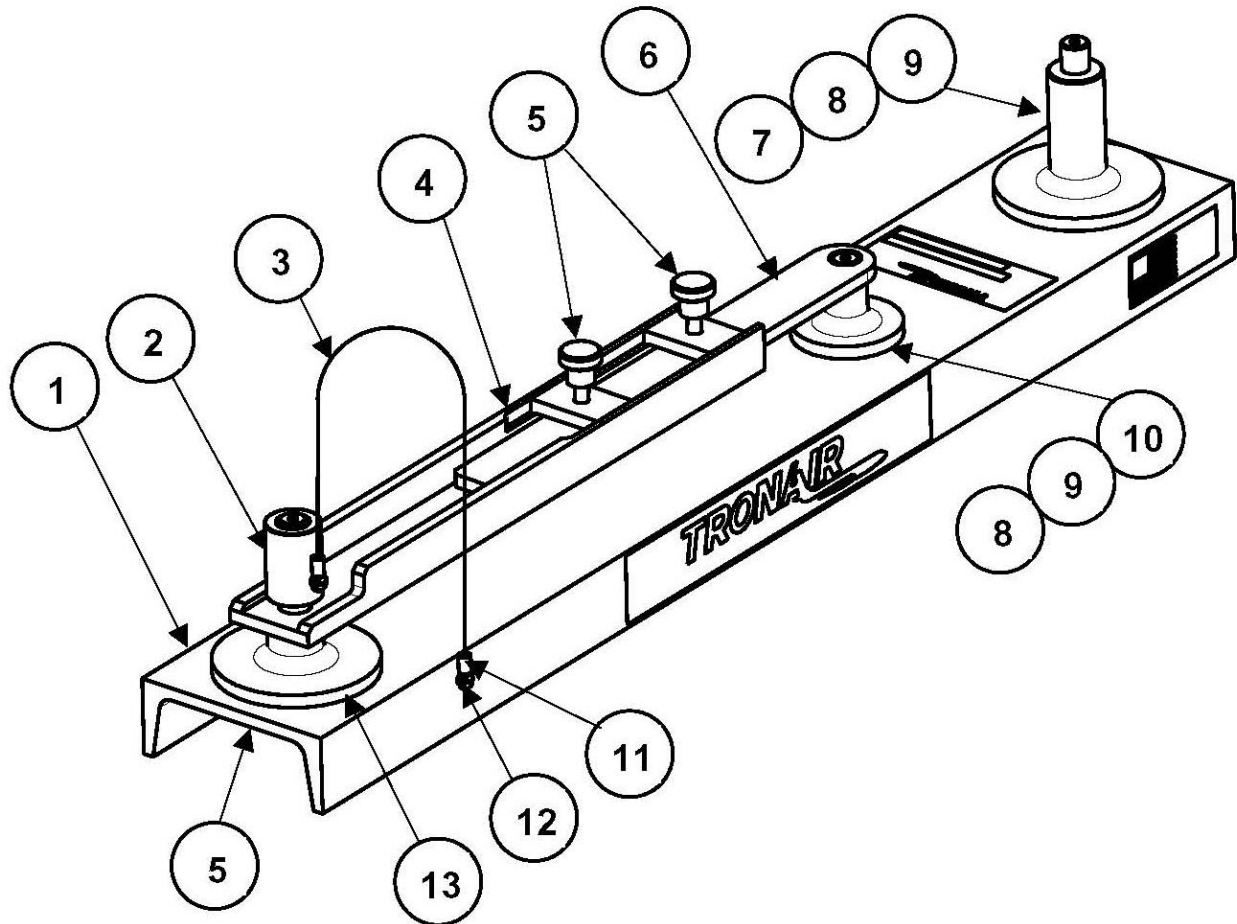
The obligations of Tronair expressly stated herein are in lieu of all other warranties or conditions expressed or implied. **Any unauthorized modification of the Tronair products or use of the Tronair products in violations of cautions and warnings in any manual (including updates) or safety bulletins published or delivered by Tronair will immediately void any warranty, express or implied and Tronair disclaims any and all liability for injury (WITHOUT LIMITATION and including DEATH), loss or damage arising from or relating to such misuse.**

7.0 APPENDICES

APPENDIX I Declaration of Conformity

Parts List

When ordering replacement parts/kits, please specify model, serial number and color of your unit.



Item	Part Number	Description	Qty
1	M-1104	Base, Fixture	1
2	TR-1831	Spacer, Fixture	1
3	H-1389	Cable, Vinyl Coated	1
4	Z-5652	Weldment, Guide	1
5	H-2677-05	Knob, Knurled	3
6	J-3453	Bar, Slide	1
7	R-2108	Post, Actuator Mount	1
8	G-1482-07	Screw, 5/16 x 1/4 Soc. Hd. Cap	2
9	G-1255-06	Washer, 5/16 AN	2
10	R-2110	Post, Actuator Guide	1
11	H-1390	Ferrule	2
12	G-1166-01	Screw, Locking	2
13	R-2109	Post, Actuator Mount	1
Not Shown	H-2680	Case, Plastic Tool	1



APPENDIX I

Declaration of Conformity



DECLARATION of CONFORMITY

The design, development and manufacture is in accordance with European Community guidelines

13-6605-6000

Relevant provisions complied with by the machinery:
2006/42/EC

Relevant standards complied with by the machinery:
EN ISO 12100-1

Identification of person empowered to sign on behalf of the Manufacturer:

A handwritten signature in cursive script that reads "Patrick Finch". The signature is written in black ink and is positioned above a horizontal line.

Quality Assurance Representative