

**Model: 14-6883-0110  
Wheel/Brake Dolly**



11/2014 – Rev. 05

**For Spare Parts, Operations & Service Manuals or Service Needs  
Scan the QR code or visit [Tronair.com/aftermarket](http://Tronair.com/aftermarket)**



REVISION	DATE	TEXT AFFECTED
01	12/2000	Major Revision
02	10/2004	Modified Parts List
03	04/2006	Modified Parts List
04	10/2007	Added CE marking and Appendix II
05	11/2014	Modified Parts List and Appendix I

TABLE OF CONTENTS

	<u>PAGE</u>
1.0 DESCRIPTION .....	1
2.0 USAGE .....	1
3.0 SPECIFICATIONS.....	1
4.0 OPERATION.....	1
5.0 MAINTENANCE .....	2
6.0 GUARANTEES/LIMITATION OF LIABILITY .....	2
7.0 APPENDICES.....	2

This product can not be modified without the written approval of Tronair, Inc. Any modifications done without written approval voids all warranties and releases Tronair, Inc., its suppliers, distributors, employees, or financial institutions from any liability from consequences that may occur. Only Tronair OEM replacement parts shall be used.

## 1.0 DESCRIPTION

The Tronair Model 14-6883-0110 Wheel and Brake Dolly incorporates the following quality features:

- Heavy duty steel construction
- Manually operated hydraulic lift
- Seven inch (7") lifting capacity
- Handles tire sizes from 24 inch to 54 inch diameter
- Adjustable rear swivel caster for tilting the dolly
- Swivel casters with swivel locks
- Brake handling adapter
- Weight capacity of 700 lbs (318 kg)
- Optional kit (K-2965) for removing the outboard wheels on the Gulfstream aircraft
- One 84 inch strap assembly for securing a load to the dolly

## 2.0 USAGE

The purpose of this dolly is to lift wheel and brake assemblies for removal or installation.

## 3.0 SPECIFICATIONS

Dimensions: Length: 33-1/2 inches  
Width: 52 inches  
Height: 32 inches

Weight: 297 lbs

## 4.0 OPERATION

1. Adjust the rollers to either the inner or outer holes of the slide, depending on the tire size. Rollers can be easily moved by removing the roller lock pin which retains the roller from sliding out of the hole (see figure). The rollers will need to be positioned in the inner holes to accept the brake handling adapter.
2. Locate the dolly in the approximate location for removal or installation of the brake assembly or tire/wheel. The rear swivel caster can be locked to help prevent inadvertent movement of the dolly.
3. Raise the slide by closing the release valve (clockwise) with the crimped end of the pump handle and hand pumping the hydraulic bottle jack. Lower the slide by slowly opening the release valve (counter-clockwise).

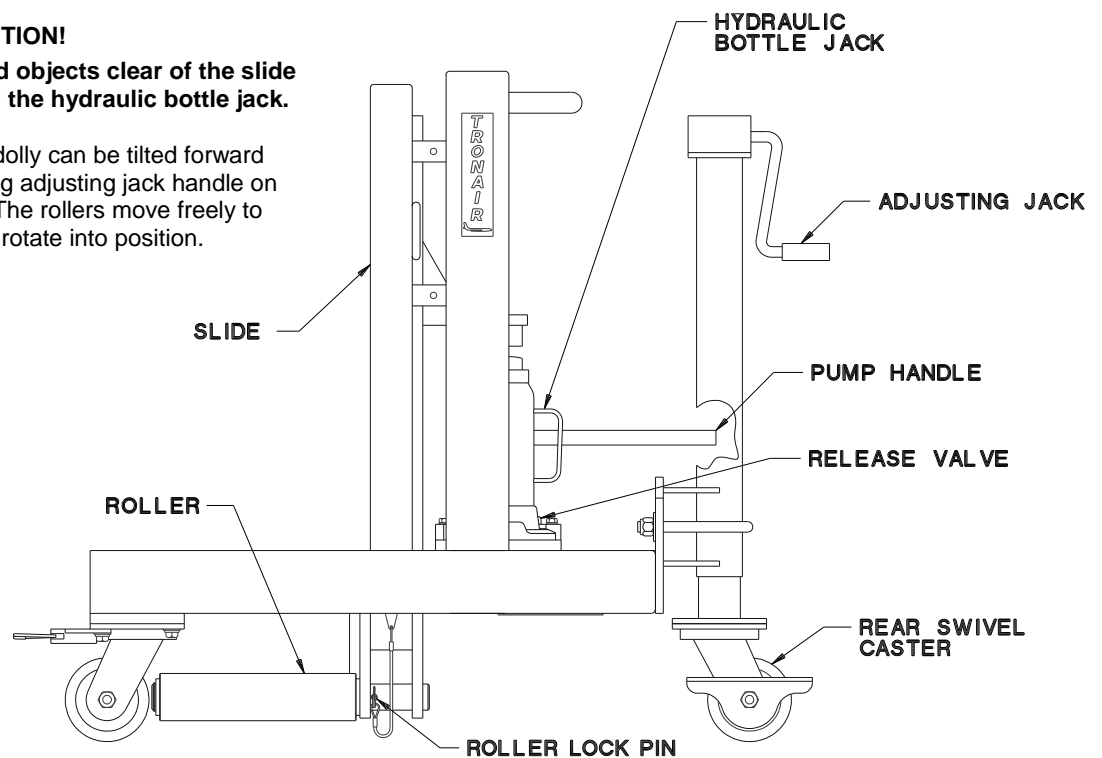
**NOTE: Do not open the release valve more than three turns.**



### CAUTION!

Keep hands and objects clear of the slide when operating the hydraulic bottle jack.

4. To aid installation, the dolly can be tilted forward and backward by turning adjusting jack handle on the rear swivel caster. The rollers move freely to permit the tire/wheel to rotate into position.



## 5.0 MAINTENANCE

1. Lubricate swivel caster bearing race with multipurpose grease.
2. Lubricate adjusting jack and moving parts.
3. See APPENDIX I – JRT 12 ½ Ton Bottle Jack Parts manual for replacement parts.

## 6.0 GUARANTEES/LIMITATION OF LIABILITY

Tronair products are warranted to be free of manufacturing or material defects for a period of one year after shipment to the original customer. This is solely limited to the repair or replacement of defective components. This warranty does not cover the following items:

- a) Parts required for normal maintenance
- b) Parts covered by a component manufacturers warranty
- c) Replacement parts have a 90-day warranty from date of shipment

If you have a problem that may require service, contact Tronair immediately. Do not attempt to repair or disassemble a product without first contacting Tronair, any action may affect warranty coverage. When you contact Tronair be prepared to provide the following information:

- a) Product Model Number
- b) Product Serial Number
- c) Description of the problem

If warranty coverage is approved, either replacement parts will be sent or the product will have to be returned to Tronair for repairs. If the product is to be returned, a Return Material Authorization (RMA) number will be issued for reference purposes on any shipping documents. Failure to obtain a RMA in advance of returning an item will result in a service fee. A decision on the extent of warranty coverage on returned products is reserved pending inspection at Tronair. Any shipments to Tronair must be shipped freight prepaid. Freight costs on shipments to customers will be paid by Tronair on any warranty claims only. Any unauthorized modification of the Tronair products or use of the Tronair products in violation of cautions and warnings in any manual (including updates) or safety bulletins published or delivered by Tronair will immediately void any warranty, express or implied.

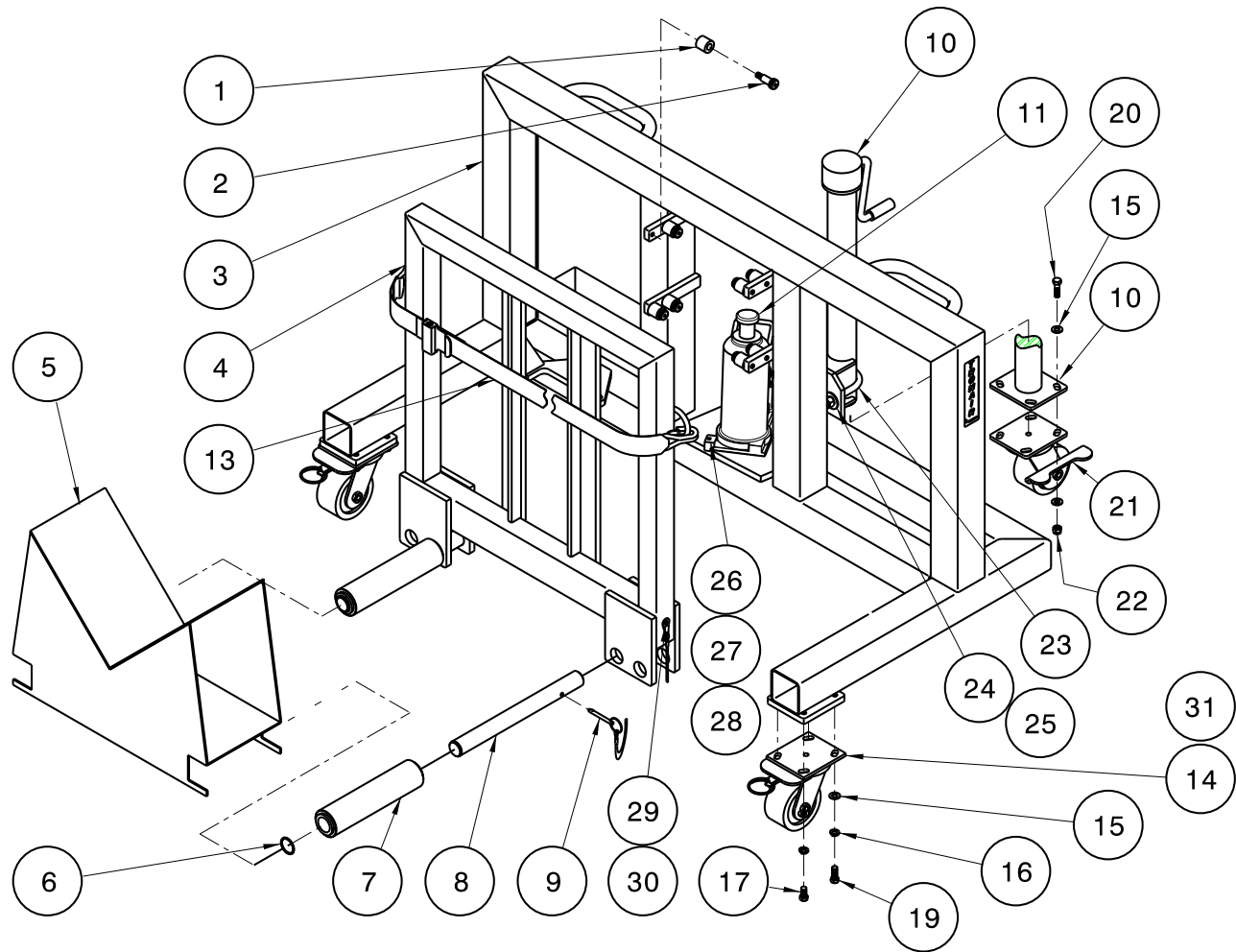
The obligations of Tronair expressly stated herein are in lieu of all other warranties or conditions expressed or implied. **Any unauthorized modification of the Tronair products or use of the Tronair products in violations of cautions and warnings in any manual (including updates) or safety bulletins published or delivered by Tronair will immediately void any warranty, express or implied and Tronair disclaims any and all liability for injury (WITHOUT LIMITATION and including DEATH), loss or damage arising from or relating to such misuse.**

## 7.0 APPENDICES

APPENDIX I Declaration of Conformity

## Parts List

When ordering replacement parts/kits, please specify model, serial number and color of your unit.



Item	Part Number	Description	Qty
3	Z-5047-01	Weldment, Frame	1
4	Z-4130-01	Weldment, Slide	1
5	Z-6198-01	Assembly, Brake Support	1
10	Z-5046-01	Weldment, Jack	1
11	HC-2637	Jack, Hydraulic	1
13	H-2123-02	Assembly, Strap	1
26	J-5822	Hold down, Jack	2
27	G-1251-1050R	Lockwasher, 1/4 Regular	2
28	G-1100-105512	Bolt, Hex Head, Grade 5, 1/4-28 x 1-1/4" long	2
	<b>K-2965</b>	<b>Kit, Outboard Roller Support; consists of:</b>	
6	G-1397-125	Ring, External Retaining	3
7	Z-4132	Assembly, Tube Roller	1
9	G-1175-10504	Screw, Thumb, 1/4-20 x 1/2" diameter	1
Not Shown	R-1877	Rod, Roller Support	1
	<b>K-2994</b>	<b>Kit, Roller Bearing; consists of:</b>	
1	R-1876	Roller	1
2	G-1155-107210	Screw, Socket Head Shoulder, 1/2" diameter	1

### Parts List

Item	Part Number	Description	Qty
	<b>K-2995</b>	<b>Kit, Roller Support; consists of:</b>	
6	G-1397-125	Ring, External Retaining	1
7	Z-4132	Assembly, Roller Tube	1
8	R-1875	Rod, Roller Support	1
9	G-1307-0418	Pin, 1/4 x 1.8" long, Model C	1
29	G-1352-17	Rivet, 5/32 Open-End Steel	1
30	H-1424*07.0	Assembly, Lanyard	1
	<b>K-2996</b>	<b>Kit, Caster; consists of:</b>	
14	U-1074	Caster, Swivel	1
15	G-1250-1070N	Flatwasher, 3/8 Narrow	4
16	G-1251-1070R	Lockwasher, 3/8 Regular	4
17	G-1100-107506	Bolt, Hex Head, Grade 5, 3/8-24 x 3/4 long	2
19	G-1100-107510	Bolt, Hex Head, Grade 5, 3/8-24 x 1" long	2
31	U-1087	Lock, Swivel	1
	<b>K-3409</b>	<b>Kit, Caster; consists of:</b>	
15	G-1250-1070N	Flatwasher, 3/8 Narrow	8
20	G-1100-107512	Bolt, Hex Head, Grade 5, 3/8-24 x 1-1/4" long	4
21	U-1084	Caster, Swivel	1
22	G-1202-1075	Stopnut, 3/8-24 Elastic	4
	<b>K-3411</b>	<b>Kit, Jack Mounting; consists of:</b>	
23	G-1009-32	U-bolt, 1/2-13 thread, 3 1/2" I.D. x 5" long	1
24	G-1202-1090	Stopnut, 1/2-13 Elastic	2
25	G-1250-1090W	Flatwasher, 1/2 Wide	2







## **APPENDIX I**

### **Declaration of Conformity**





## DECLARATION of CONFORMITY

The design, development and manufacture is in accordance with European Community guidelines

Wheel/Brake Dolly  
14-6883-0110

Relevant provisions complied with by the machinery:  
2006/42/EC

Relevant standards complied with by the machinery:  
EN ISO 12100-1

Identification of person empowered to sign on behalf of the Manufacturer:

A handwritten signature in black ink that reads "Patrick Finch". The signature is written in a cursive, flowing style. Below the signature is a solid horizontal line.

Quality Assurance Representative