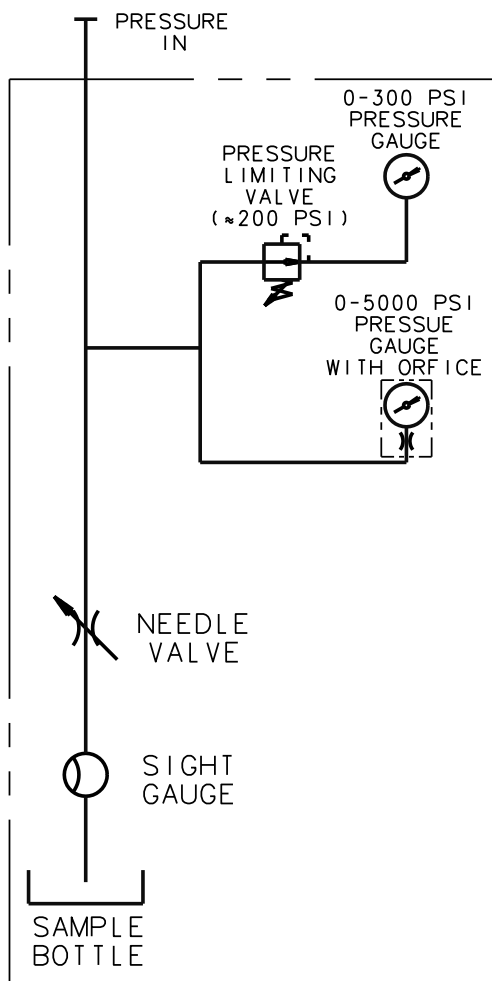


14-6888-6000 Dash 8 – 400 Anti-Skid Test Unit

This product can not be modified without the written approval of Tronair, Inc. Any modifications done without written approval voids all warranties and releases Tronair, Inc., its suppliers, distributors, employees, or financial institutions from any liability from consequences that may occur.

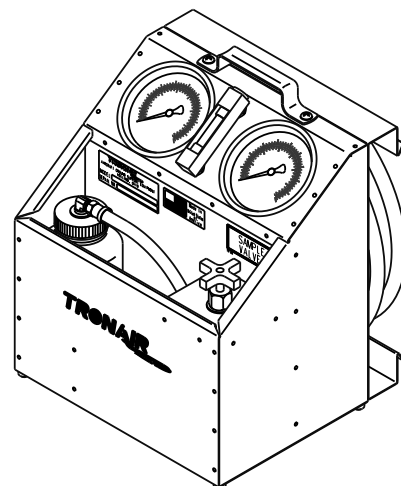
Figure 1 – Hydraulic Schematic



1.0 GENERAL DESCRIPTION

The Tronair 14-6866-6010 Anti-Skid Tester was designed to allow for brake bleeding, obtaining an oil sample and measure brake pressures at the calipers.

- Weight: 9 lbs.
- Material: Aluminum Enclosure
- Dimensions: Depth: 10-7/8
 Width: 12-7/8
 Height: 14-1/2
- Sight Gauge
- 0-300 & 0-5000 PSI Pressure Gauges
- 15" Hose Assembly with Plug



2.0 OPERATION



CAUTION!

All brake maintenance to be performed in accordance to Aircraft Manufacturer's Maintenance Manual & Government Regulations, as applicable

2.1 BRAKE BLEEDING

1. Connect the hose provided with unit to the brake caliper per aircraft manufacturer procedure.



CAUTION!

Make sure sample valve on unit is closed and brake pressure is at zero.

2. Open sample valve.
3. Observe oil for air through sight gauge.
4. Close valve when all air is removed. (DO NOT OVERFILL BOTTLE.)

2.2 OIL SAMPLE

- 1 Repeat step 2.1.1 in Section 2.1 Brake Bleeding.
- 2 Unscrew lid on jar provided with unit and position clean sample bottle under outlet on bottom side of cap.
- 3 Open sample valve to obtain fluid sample per manufacturer's requirements. Close valve after sample is obtained.

2.3 BRAKE TEST

- 1 Test per manufacturer's maintenance manual.
- 2 Use sample valve to relieve pressure prior to disconnecting hose.

NOTE: Gauge Cutout Valve is set to prevent Low Pressure Gauge from exceeding 300 PSIG

3.0 GUARANTEES/LIMITATION OF LIABILITY

Tronair products are warranted to be free of manufacturing or material defects for a period of one year after shipment to the original customer. This is solely limited to the repair or replacement of defective components. This warranty does not cover the following items:

- a) Parts required for normal maintenance
- b) Parts covered by a component manufacturers warranty
- c) Replacement parts have a 90-day warranty from date of shipment

If you have a problem that may require service, contact Tronair immediately. Do not attempt to repair or disassemble a product without first contacting Tronair, any action may affect warranty coverage. When you contact Tronair be prepared to provide the following information:

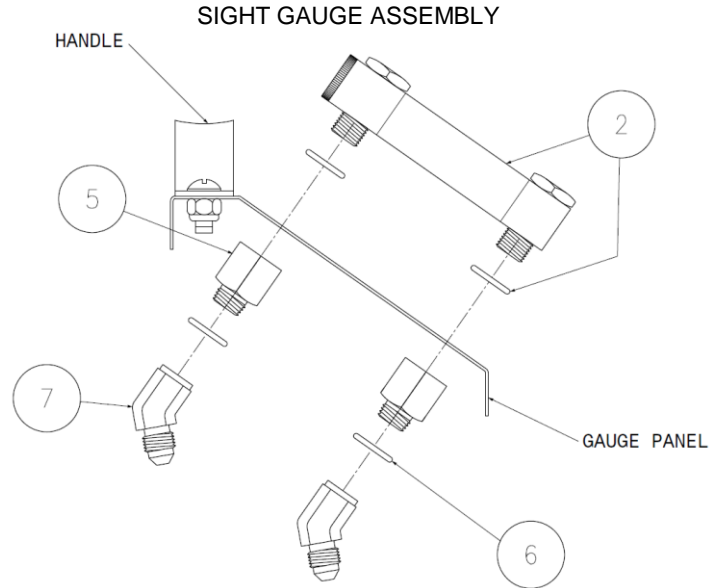
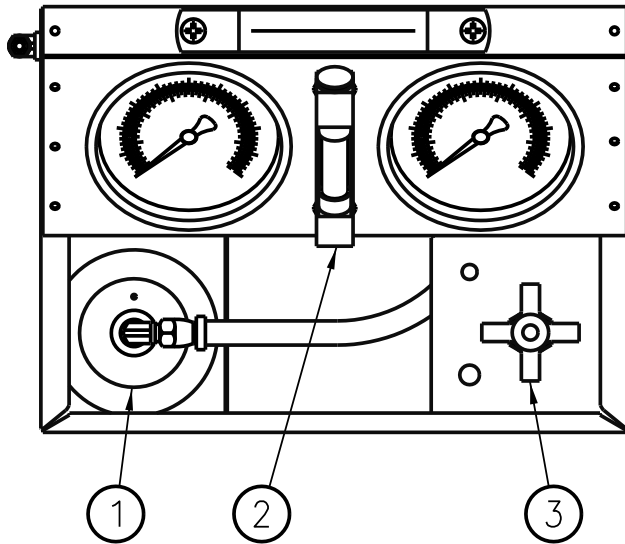
- a) Product Model Number
- b) Product Serial Number
- c) Description of the problem

If warranty coverage is approved, either replacement parts will be sent or the product will have to be returned to Tronair for repairs. If the product is to be returned, a Return Material Authorization (RMA) number will be issued for reference purposes on any shipping documents. Failure to obtain a RMA in advance of returning an item will result in a service fee. A decision on the extent of warranty coverage on returned products is reserved pending inspection at Tronair. Any shipments to Tronair must be shipped freight prepaid. Freight costs on shipments to customers will be paid by Tronair on any warranty claims only. Any unauthorized modification of the Tronair products or use of the Tronair products in violation of cautions and warnings in any manual (including updates) or safety bulletins published or delivered by Tronair will immediately void any warranty, express or implied.

The obligations of Tronair expressly stated herein are in lieu of all other warranties or conditions expressed or implied. **Any unauthorized modification of the Tronair products or use of the Tronair products in violations of cautions and warnings in any manual (including updates) or safety bulletins published or delivered by Tronair will immediately void any warranty, express or implied and Tronair disclaims any and all liability for injury (WITHOUT LIMITATION and including DEATH), loss or damage arising from or relating to such misuse.**

Parts List

When ordering Replacement Parts/Kits, please specify Model, Color and Serial Number of your Unit

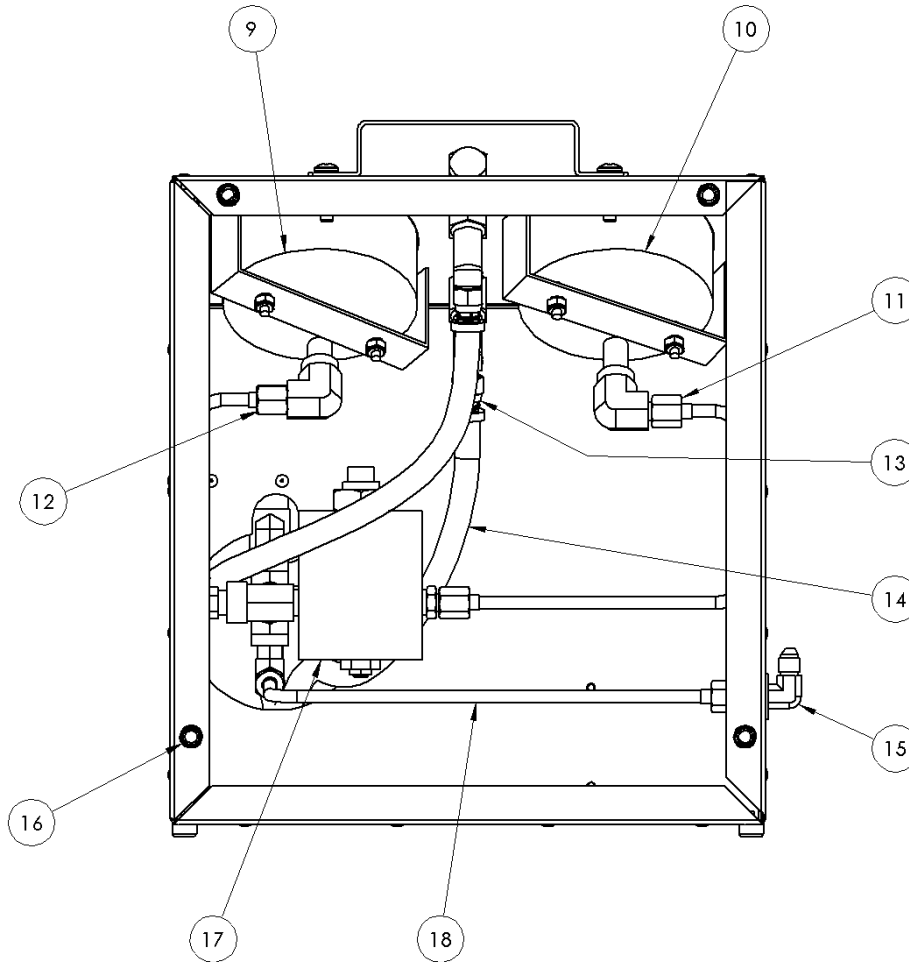


Item	Part Number	Description	Qty
1	Z-4280	Assembly, Bottle with Hose	1
◆ 3	HC-1081-02	Valve, Needle	1
	K-3024	Kit, Sight Gauge Replacement; consists of:	
2	HC-1383-03	Gauge, Sight	1
5	N-3111	Adapter, ¼ NPT	2
6	HC-2013-905	O-Ring, Series 3	2
7	N-3105	45° Elbow, -4 JIC x -4 FNPT	2

◆ See following pages for Parts Breakdown.

Parts List

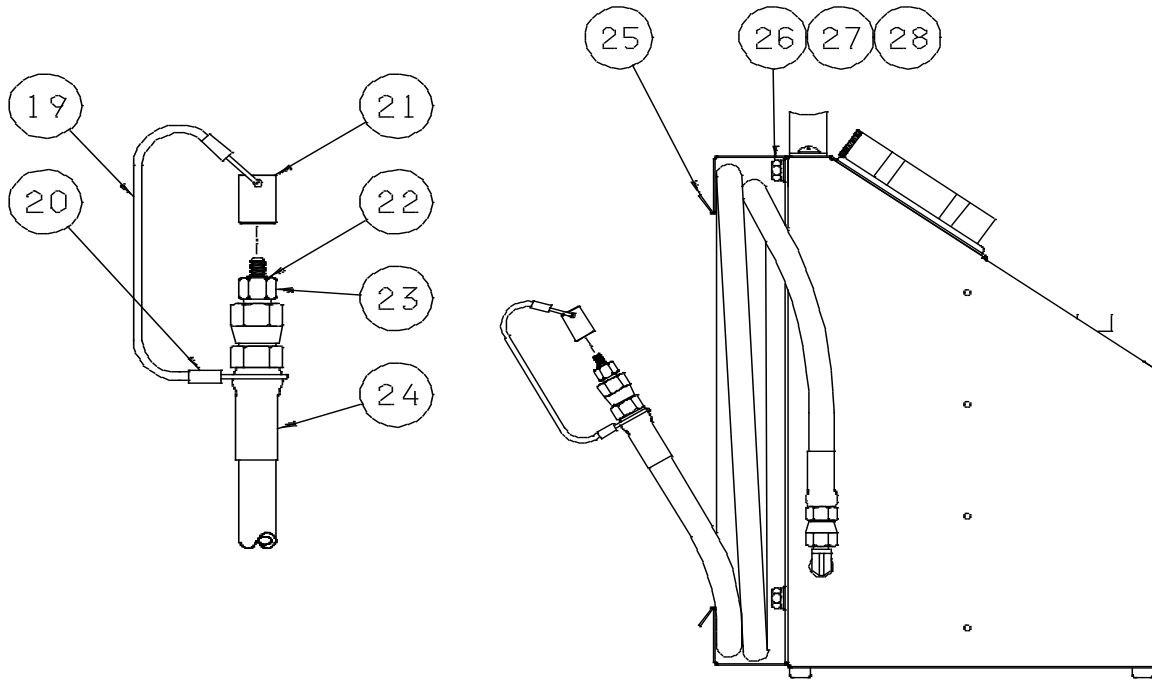
When ordering Replacement Parts/Kits, please specify Model, Color and Serial Number of your Unit



Item	Part Number	Description	Qty
8	HC-1399	Gauge, Pressure (0-5000 PSI)	1
9	HC-1423	Gauge, Pressure (0-300 PSI)	1
10	HC-1803	Assembly, Tube	1
11	HC-1227	Assembly, Tube	1
12	N-2026-01-S	Swivel, #4 JIC 37° x #4 Barbed Hose	1
13	TF-1132-03*11.5	Hose, EVA Semi-Clear, 1/4" I.D. x 11 1/2" long	1
14	N-2022-03-S	Elbow, 90° Male Bulkhead, #4 JIC 37°	1
15	G-1439-1050-S	Nutsert, Open-End, 1/4-20	REF
◆ 16	HC-2857	Valve, Gauge Cutout	1
17	HC-1802	Assembly, Tube	1

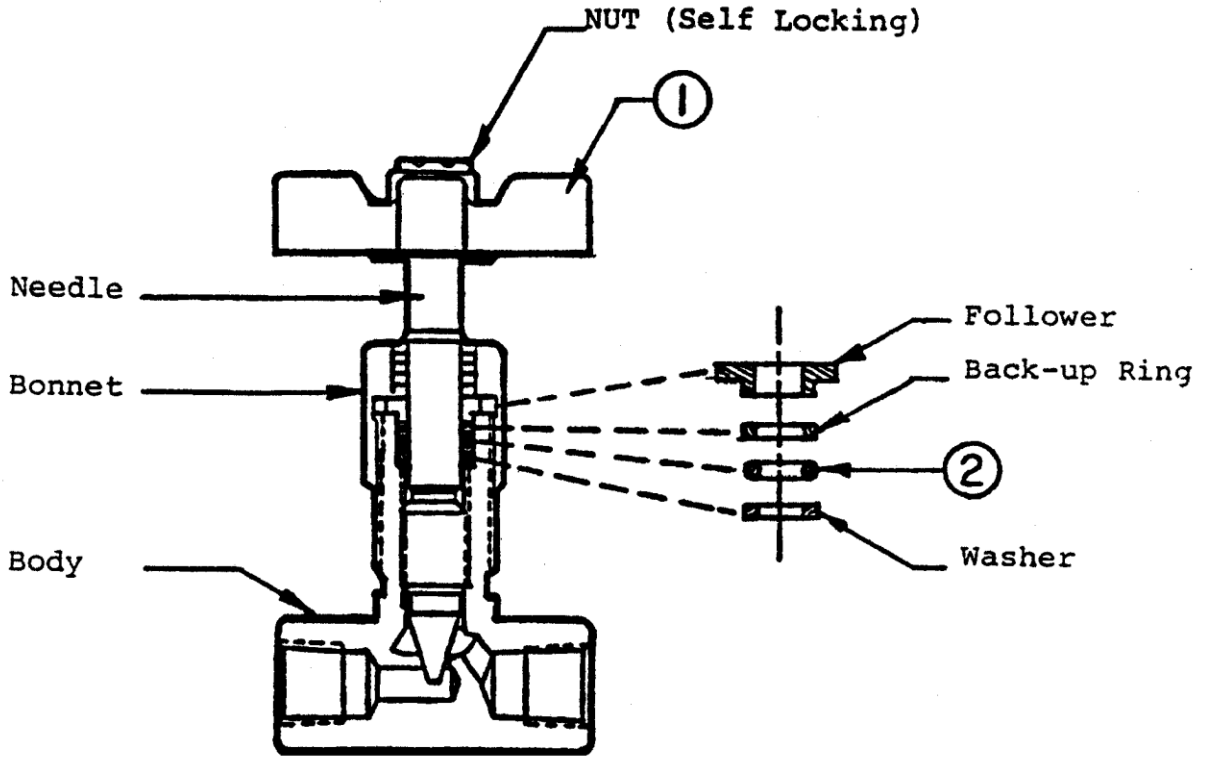
Parts List

When ordering Replacement Parts/Kits, please specify Model, Color and Serial Number of your Unit



Item	Part Number	Description	Qty
24	TF-1041-05*180	Assembly, Hose	1
	K-3024	Kit, Brake Adapter Replacement; consists of:	
19	H-1389	Cable, Nylon Coated	1
20	H-1390	Ferrule	2
21	R-1723	Cap, Brake Adapter	1
22	HC-2006-008	O-ring	1
23	R-1722	Adapter, Brake	1
	K-3026	Kit, Rear Panel Replacement; consists of:	
16	G-1439-1050-S	Nutsert, Open-End, 1/4-20	4
25	S-1598	Panel, Rear	1
26	G-1100-105006	Bolt, Hex Head, Grade 5, 1/4-20 x 3/4" long	4
27	G-1250-1050N	Flatwasher, 1/4 Narrow	4
28	G-1251-1050R	Lockwasher, 1/4 Regular	4

Parts List
Needle Valve Assembly – HC-1081-02



Item	Part Number	Description	Qty
1	HC-1082	Handle, Valve	1
2	HC-2006-011	O-Ring	1



The Tronair Family of Ground Support Equipment
and cloud based EBis GSE Fleet Management



Cloud Based
Fleet Management

The premier global supplier of ground support equipment



The Tronair Family of GSE Product Lines

UNPARALLELED RANGE OF PRODUCTS FOR BUSINESS, COMMERCIAL AND MILITARY AIRCRAFT

LIFTING & SHORING (ATA-7)

Hydraulic Tripod Jacks
Axle Jacks
Jack Test Equipment
Stabilizing Stands & Alarms
Aircraft Recovery Dollies

LEVELING & WEIGHING (ATA-8)

Aircraft Weigh Equipment

TOWING AND TAXIING (ATA-9)

Towbar Systems
Tow Vehicles & Tractors

PARKING & MOORING (ATA-10)

Chocks & Covers

SERVICING (ATA-12)

Multi-Purpose Carts
Hydraulic & Engine Oil Servicing
& Test Equipment
Lavatory Servicing Carts
Potable Water Transport Carts
Oxygen & Nitrogen Carts
Oxygen & Nitrogen Boosters

AIR CONDITIONING (ATA-21)

Air Conditioning Equipment
Coolant System Fill/Drain Carts
Cabin Pressurization Test Units

ELECTRICAL (ATA-24)

Ground Power Units
Battery Charger/Analyzer

FUEL (ATA-28)

Fuel Transfer Cart
Fuel Tools

HYDRAULIC POWER (ATA-29)

Hydraulic Power Units
Ram Air Turbine (RAT)
Hydraulic Coupling Hose Adaptors

ICE & RAIN PROTECTION (ATA-30)

Deicer Carts

AIRCRAFT TOOLING

Designed to your Specifications

LANDING GEAR (ATA-32)

Beadbreakers
Dollies - Wheel & Brake
Service Tools
Strut Service Carts
Regulators, Adaptors,
Connectors & Gauges

FUSELAGE (ATA-53)

Lifts, Cranes & Hoists
Maintenance Platforms
Access Stands
Docking Systems

PROPELLERS (ATA-61)

Propeller Stands/Slings/Tools

POWER PLANT (ATA-71)

Engine Compressor Washers
Engine Hoists, Slings & Stands

CLOUD BASED FLEET MGT.

Manage your Repair Station,
Multi Location Jet Center or
Small Operation



www.tronair.com

www.columbusjack.com | www.daeind.com | www.datcomedia.com | www.eagletugs.com | www.malabar.com

Sales Offices: USA • Asia/China • Australia/New Zealand/Singapore • Europe/Middle East/Africa

Tronair, Inc. • 1 Air Cargo Pkwy East • Swanton, OH 43558, USA
Phone: 419-866-6301 | Toll Free: 1-800-426-6301 | Email: sales@tronair.com