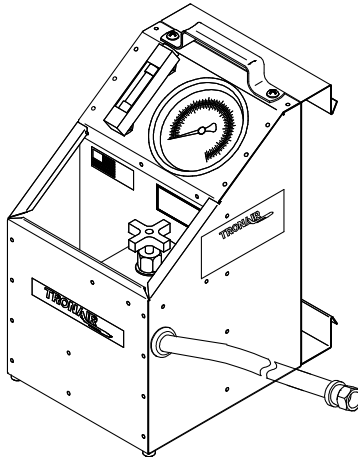




Operation & Service Manual



Model: 14-6912-6000
Brake Bleed Unit
Gulfstream

01/2009 – Rev. 01

Includes Illustrated Parts Lists

Tronair, Inc.

1740 Eber Road
Holland, Ohio 43528-9794
USA

Telephone: (419) 866-6301 • 800-426-6301

Fax: (419) 867-0634

Web Site: www.tronair.com E-mail: sales@tronair.com

**Model: 14-6912-6000
Brake Bleed Unit (Gulfstream)**

TABLE OF CONTENTS

PAGE

Figure 1..... 1
1.0 General Description..... 2
2.0 Operation..... 2
 2.1 Brake Bleeding..... 2
 2.2 Brake Test..... 2
Parts Lists & Illustrations 3-6

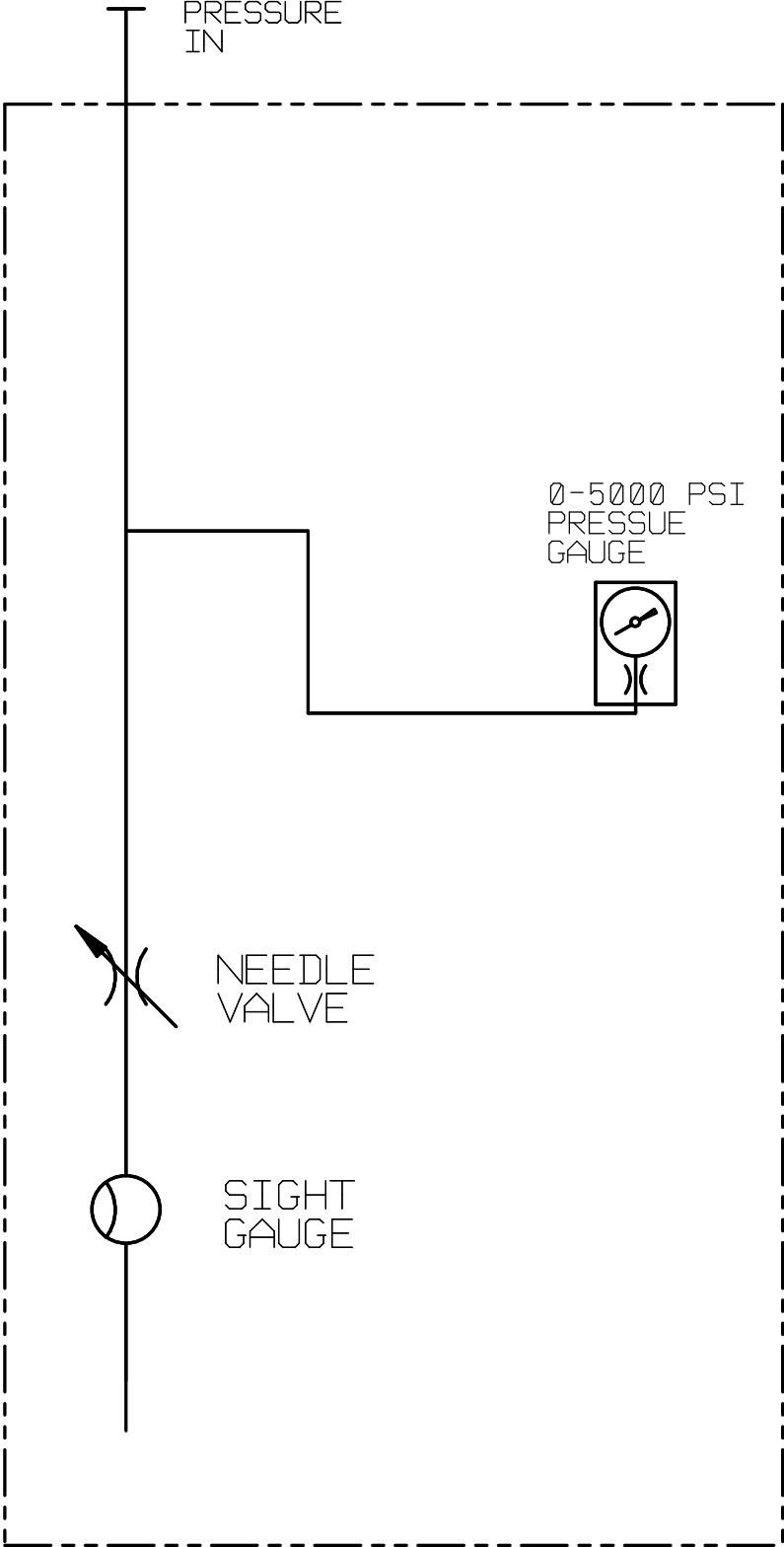
Model: 14-6912-6000
Brake Bleed Unit (Gulfstream)

Revision
01

Date
01/2009

Text Affected
Original Release

FIGURE 1 – Hydraulic Schematic



**Model: 14-6912-6000
Brake Bleed Unit (Gulfstream)**

This product can not be modified without the written approval of Tronair, Inc. Any modifications done without written approval voids all warranties and releases Tronair, Inc., its suppliers, distributors, employees, or financial institutions from any liability from consequences that may occur. Only Tronair OEM replacement parts shall be used.

1.0 GENERAL DESCRIPTION

The Tronair 14-6912-6000 Brake Bleed Unit was designed to allow for brake bleeding.

- Weight: 9 lbs.
- Material: Aluminum Enclosure
- Dimensions: Depth: 10 ⁷/₈"
Width: 7 ¹/₂"
Height: 14 ¹/₂"
- Sight Gauge
- 0-5000 PSI Pressure Gauge
- 15" Hose Assembly with Plug

2.0 OPERATION



CAUTION!

All brake maintenance to be performed in accordance to Aircraft Manufacturer's Maintenance Manual & Government Regulations, as applicable

2.1 BRAKE BLEEDING

1. Connect the hose provided with unit to the brake caliper per aircraft manufacturer procedure.



CAUTION!

Make sure sample valve on unit is closed and brake pressure is at zero.

2. Open sample valve.
3. Observe oil for air through sight gauge.
4. Close valve when all air is removed.

2.2 BRAKE TEST

1. Test per manufacturer's maintenance manual.
2. Use sample valve to relieve pressure prior to disconnecting hose.

**Model: 14-6912-6000
Brake Bleed Unit (Gulfstream)**

Parts List

**** WHEN ORDERING REPLACEMENT PARTS/KITS, PLEASE SPECIFY MODEL & SERIAL NUMBER OF YOUR UNIT.****

Reference Parts List Illustrations on the following pages

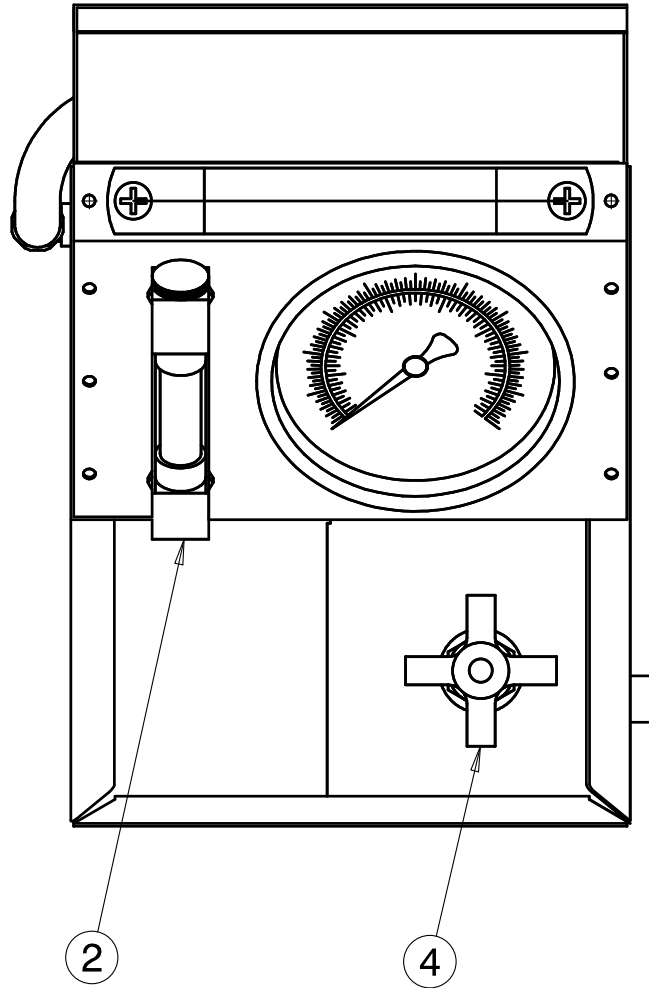
ITEM	PART NUMBER	DESCRIPTION	QTY
◆ 4	HC-1081-02	Valve, Needle	1
9	HC-1399	Gauge, Pressure (0-5000 PSI)	1
10	N-2839-0404	Coupling	1
11	N-2579-0404	Coupling	1
12	HC-2453	Assembly, Tube	1
13	N-2026-01-S	Swivel, #4 JIC 37° x #4 Barbed Hose	1
14	TF-1030-01*16.0	Hose, 1/4" I.D.	1
15	N-2022-03-S	Elbow, 90° Male Bulkhead, #4 JIC 37°	1
18	HC-2454	Assembly, Tube	1
24	TF-1030-01*180	Assembly, Hose	1

◆ See Pages 7 and 8 for Parts Breakdown.

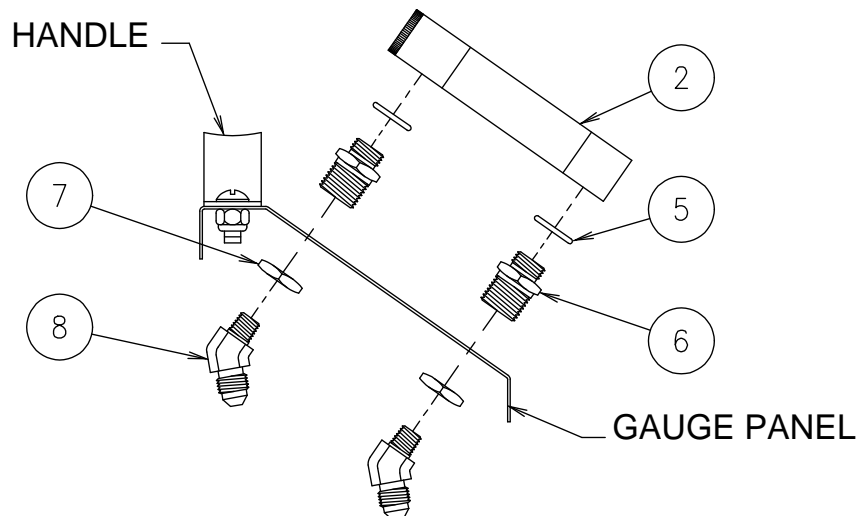
	K-3024	Kit, Sight Gauge Replacement; consists of:	
2	HC-1383-03	Gauge, Sight	1
5	HC-2006-112	O-ring (Included in Item 2)	2
6	N-2253	Adapter, Stud	2
7	G-1236	Nut, Adapter Stud	2
8	N-2021-03-S	Elbow, 45° Male, 1/8 NPT x #4 JIC 37°	2

	K-3025	Kit, Brake Adapter Replacement; consists of:	
10	N-2839-0404	Coupling	1
11	N-2579-0404	Coupling	1
19	H-1389	Cable, Nylon Coated	1
20	H-1390	Ferrule	2
21	R-1723	Cap, Brake Adapter	1
22	HC-2006-008	O-ring	1
23	R-1722	Adapter, Brake	1

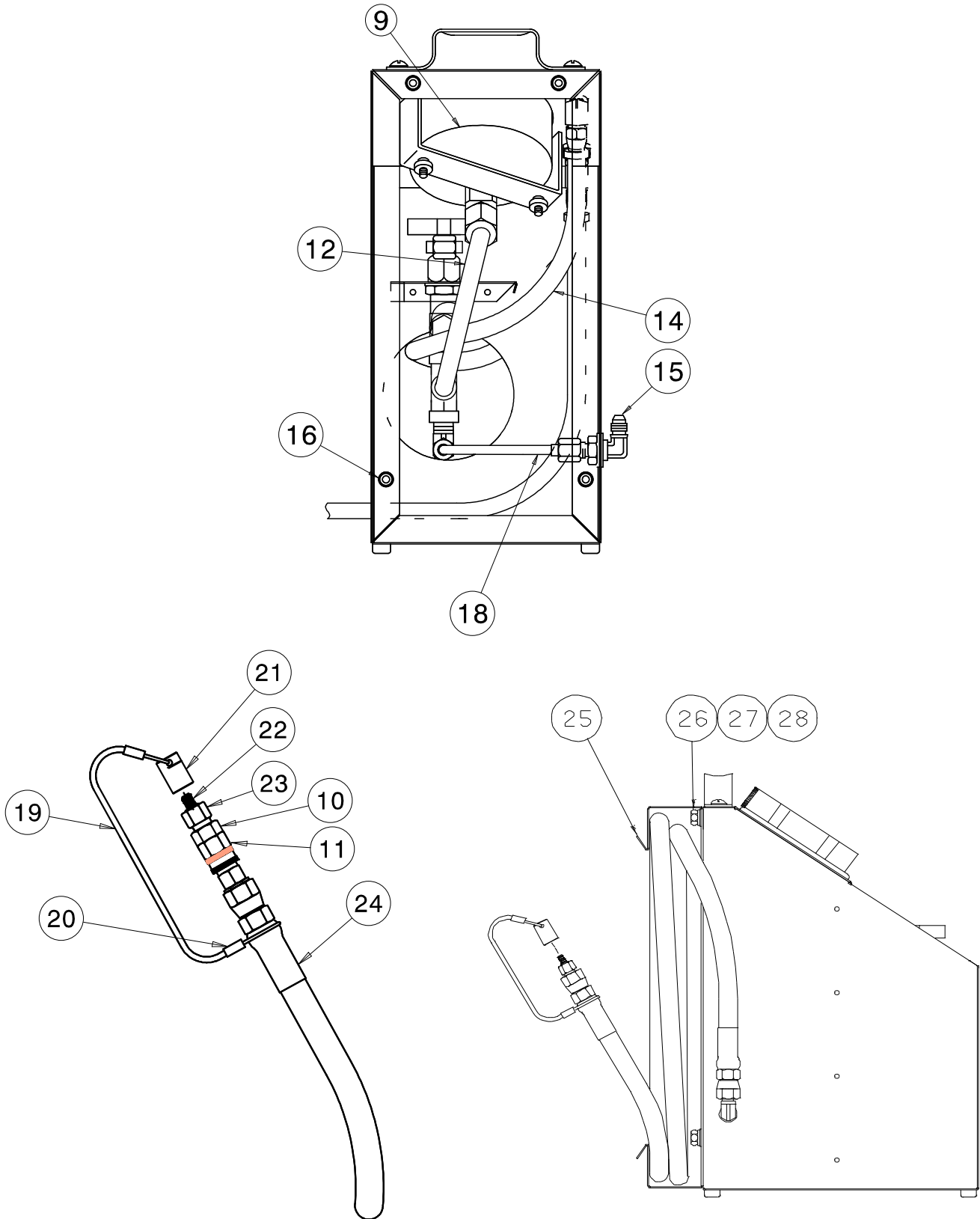
Parts List Illustrations



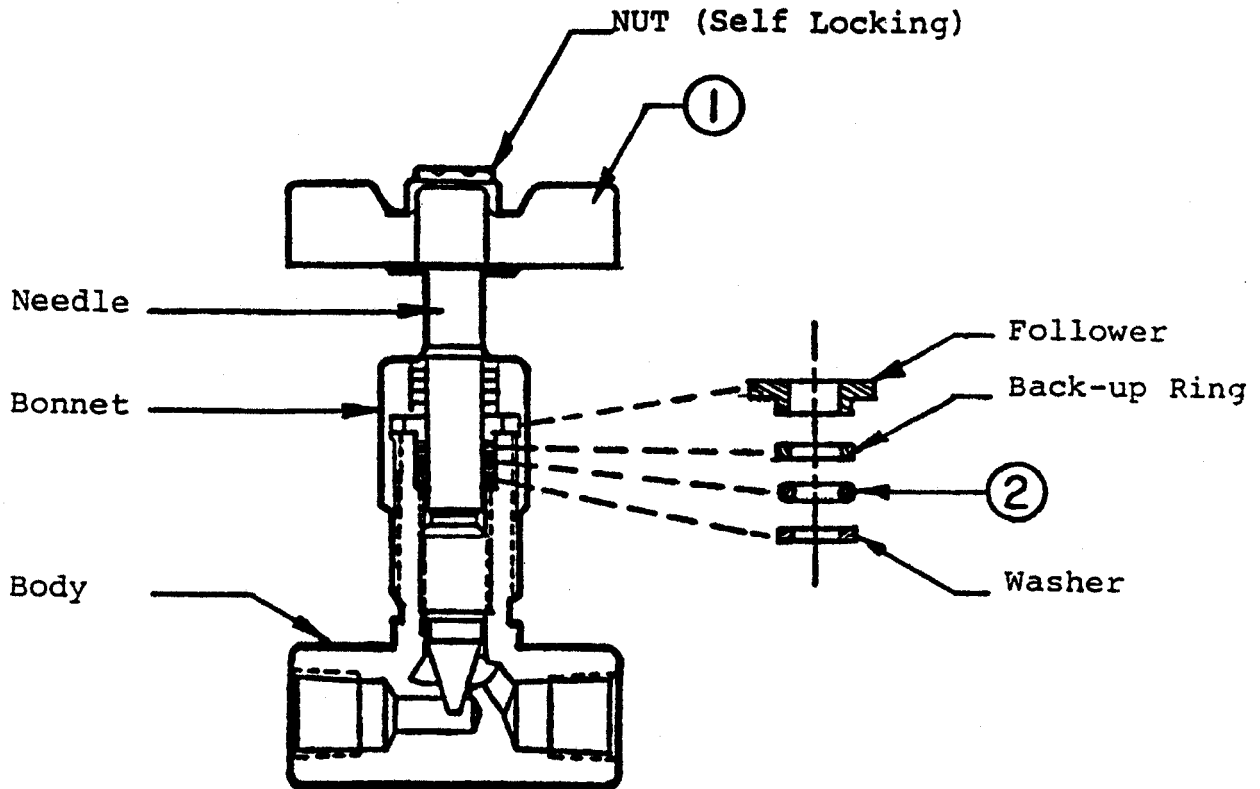
SIGHT GAUGE ASSEMBLY



Parts List Illustrations



Parts List
Needle Valve Assembly
HC-1081-02



ITEM	PART NUMBER	DESCRIPTION	QTY
1.....	HC-1082.....	Handle, Valve.....	1
2.....	HC-2006-011.....	O-Ring.....	1