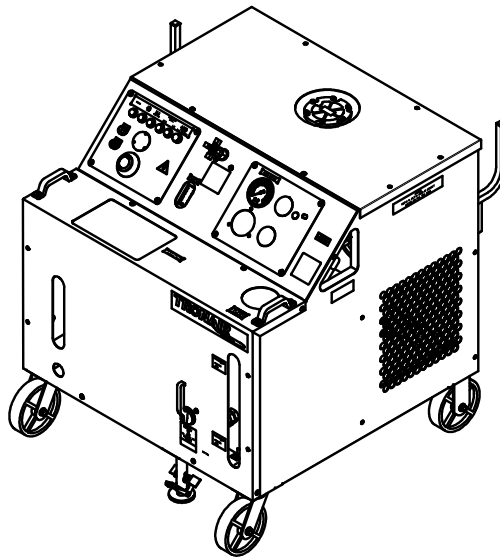




## Operation & Service Instructions



**Model: 5410  
Hydraulic Power Unit**

12/2011 – Rev. 12



Models: 5410  
Hydraulic Power Unit

**TABLE OF CONTENTS**

**PAGE**

1.0	Product Information.....	1
1.1	Description .....	1
1.2	Model & Serial Number .....	1
1.3	Manufacturer .....	1
1.4	Function .....	1
1.5	Requirements.....	1
2.0	Safety Information.....	1
2.1	Usage And Safety Information .....	1
2.2	Explanation Of Warning & Danger Signs.....	2
2.3	Component Safety Features .....	2
2.4	Functional Safety Features .....	2
2.5	Personal Protection Equipment .....	2
2.6	Safety Guidelines .....	2
2.7	General Comment.....	2
2.8	General Comment.....	2
3.0	Electrical Power Requirements.....	3
4.0	Preparation Prior To First Use .....	3
4.1	General.....	3
4.2	Servicing Reservoir.....	3
4.3	Connecting Electrical Leads .....	3
5.0	Training .....	4
5.1	Training Requirements.....	4
5.2	Training Program .....	4
5.3	Operator Training .....	4
6.0	Operation .....	4
6.1	Operating Parameters.....	4
6.2	Numerical Values .....	4
6.2.1	Fluid.....	4
6.2.2	Physical.....	4
6.2.3	Hydraulic Pump.....	5
6.2.4	Electric Motor .....	5
6.2.5	Filters.....	6
6.2.6	Hand Pump ( <i>Option M</i> ).....	6
6.3	Location & Layout Of Controls .....	7
6.3.1	Front Panel Controls .....	7
6.3.2	Electrical Control Panel.....	8
6.3.3	Hydraulic Control Panel .....	10
6.3.4	Rear Panel Controls.....	11
6.3.5	Hydraulic Pump Controls .....	12
6.3.6	Hand Pump Controls ( <i>Option M</i> ).....	13
6.3.7	Dual System Controls ( <i>Option C</i> ).....	14
6.3.8	Dual System Crossover Check Controls ( <i>Option D</i> ).....	15
6.4	Start Up Procedures.....	16
6.4.1	Procedure For First Time Or Different Electrical Supply Only .....	16
6.4.2	Initial Start Up Of The HPU .....	16
6.5	Preliminary Adjustments For Operation .....	17
6.5.1	Flow Control Adjustment.....	17
6.5.2	Pressure Control Adjustment .....	17
6.5.3	Reservoir Selector Valve Operation.....	17
6.5.4	Bypass Valve Operation.....	18
6.6	Bleeding Air From System .....	18
6.6.1	To Easily Purge The Unit Of Air.....	18
6.7	Dual System Operation ( <i>Option C</i> ).....	19
6.7.1	To Operate The Dual System .....	19
6.8	Dual System Crossover Check ( <i>Option D</i> ) .....	19
6.8.1	To Operate The Dual System With Crossover Check .....	19

**Models: 5410**  
**Hydraulic Power Unit**

6.8.1	To Operate The Dual System With Crossover Check ( <i>Continued</i> ) .....	20
6.9	Hand Pump Operation ( <i>Option M</i> ) .....	20
6.9.1	To Operate The Hand Pump .....	20
6.10	Sample Valve .....	20
6.11	Emergency Shut Down Procedure .....	20
6.12	Description Of Alarm Systems .....	21
6.12.1	High Fluid Temperature Indicator ( <i>Option S</i> ) .....	21
6.12.2	Voltage/Phase Monitor Indicator ( <i>Options G – J</i> ) .....	21
6.12.3	High And Low Reservoir Level Indicator ( <i>Option L</i> ) .....	21
6.12.4	Clogged Filter Indicator Light ( <i>Option R</i> ) .....	21
7.0	Packaging And Storage .....	21
7.1	Packaging Requirements .....	21
7.2	Handling .....	21
7.3	Packaging Protection .....	22
7.4	Labeling Of Packaging .....	22
7.5	Storage Compatibility .....	22
7.6	Storage Environment .....	22
7.7	Storage Space And Handling Facilities .....	22
8.0	Transportation .....	22
9.0	Trouble Shooting .....	23
9.1	HPU Will Not Start .....	23
9.2	No Flow .....	24
9.3	Reduced Flow .....	24
9.4	No Pressure Or Reduced Pressure .....	25
9.5	Fluid Overheats .....	25
9.6	Hand Pump ( <i>Option M</i> ) Is Not Pumping Fluid .....	25
10.0	Maintenance .....	26
10.1	General .....	26
10.2	Electric Motor .....	26
10.3	Hydraulic Pump .....	27
10.3.1	Hydraulic Pump Assembly .....	27
10.3.2	Hydraulic Pump Replacement Kits List .....	27
10.4	Hydraulic Fluid .....	28
10.5	Filters .....	28
10.5.1	Pressure Filter .....	29
10.5.2	Return Filter .....	30
10.5.3	Hand Pump ( <i>Option M</i> ) Filter .....	31
10.5.4	Desiccant Air Filter .....	32
10.6	Hydraulic Hoses .....	33
10.7	Instrument Panel .....	34
10.7.1	Electric Panel .....	35
10.7.2	Hydraulic Panel .....	36
10.7.3	Control Block/Flowmeter .....	37
10.7.3.A	System Pressure Relief Valve .....	38
10.7.3.B	Check Valve .....	39
10.7.3.C	Bypass Valve .....	39
10.8	Reservoir Assembly .....	40
10.9	Return Manifold Assembly .....	42
10.9.1	Return System Pressure Relief Valve .....	43
10.10	Pressure Filter Assembly (Single System) .....	44
10.11	Electrical Components .....	45
10.11.1	Electrical Components With 100 Ft. Input Cord Option .....	51
10.12	Heat Exchanger Assembly .....	56
10.13	External Components .....	57
10.14	Additional Features .....	58
10.14.1	50 Ft (15.24 M) Hoses ( <i>Option B</i> ) .....	58
10.14.2	Dual System ( <i>Option C</i> ) .....	59
10.14.3	Crossover Check ( <i>Option D</i> ) .....	60
10.14.4	Hour Meter ( <i>Options E And F</i> ) .....	61
10.14.5	Voltage/Phase Monitor ( <i>Options G – J</i> ) .....	62

**Models: 5410**  
**Hydraulic Power Unit**

10.14.6	Pyrometer ( <i>Option K</i> ) .....	63
10.14.7	Electric Reservoir Level ( <i>Option L</i> ) .....	64
10.14.8	Hand Pump ( <i>Option M</i> ) .....	66
10.14.8.A	Two Stage Pump With Relief .....	68
10.14.9	Towing Trailer ( <i>Option N</i> ).....	70
10.14.10	Calibration Port ( <i>Option Q</i> ).....	71
10.14.11	Electric Filter Clogging Indicator ( <i>Option R</i> ).....	72
10.14.12	Electric Over-Temperature ( <i>Option S</i> ) .....	73
10.14.13	Return Sight Gauge ( <i>Option U</i> ) .....	74
10.15	Replacement Labels Parts Lists .....	75
10.15.1	Base Unit.....	75
10.15.2	Fluid Label.....	75
10.15.3	Filter Element Kit Labels .....	75
10.15.4	Dual System ( <i>Option C</i> ) And Crossover Check ( <i>Option D</i> ) Labels.....	75
10.15.5	Pyrometer ( <i>Option K</i> ) Label .....	75
10.15.6	Hand Pump ( <i>Option M</i> ) Labels .....	76
10.15.7	Calibration Port ( <i>Option Q</i> ) Labels.....	76
10.15.8	Back-Pressure Valve With Sight Glass ( <i>Option T</i> ) Label.....	76
11.0	Provision Of Spares .....	76
11.1	Source Of Spare Parts .....	76
11.2	Recommended Spare Parts Lists .....	76
11.2.1	Spare Electrical Parts.....	76
11.2.2	Spare Parts .....	76
12.0	Calibration Of Instrumentation .....	77
12.1	Source Of Calibration.....	77
12.2	Analog Pressure Gauge – System Pressure .....	77
12.2.1	Self Calibration.....	77
12.3	Analog Pressure Gauge (Hand Pump Pressure- <i>Option M Only</i> ) .....	79
12.3.1	Self Calibration.....	79
12.4	Analog Pressure Gauges (Crossover Check- <i>Option D Only</i> ).....	80
12.4.1	Self Calibration.....	80
12.5	Analog Temperature Gauge (Pyrometer- <i>Option K Only</i> ).....	80
12.5.1	Self Calibration.....	80
13.0	In Service Support .....	81
14.0	Guarantees .....	81
15.0	Appendices .....	81

**Models: 5410  
Hydraulic Power Unit**

REVISION	DATE	TEXT AFFECTED
01	07/10/2003	Configuration change. Major revision to entire document.
02	12/30/2003	Reference previous revision. pg 45 Replaced Figure 10.11 Electrical Components; Modified comment on figure. pg 47 Modified part numbers for Items 5 & 6 pg 48 Modified part numbers for item 5 & 6 pg 49 Deleted
03	05/2004	pg 26 Modified part numbers for item 50 Hz applications pg 47 Modified part numbers for item 7 pg 48 Modified part numbers for item 7
05	02/2005	pg 48 Modified part numbers and illustration
06	06/2007	Modified 10.7.1 Electric Panel Parts List
07	12/2007	Modified 10.7.1 Electric Panel Parts List
08	06/2008	Modified 12.2.1 Self Calibration
09	08/2008	Modified 10.3.1 Hydraulic Pump Assembly, 10.15.1 Base Unit, 11.2.2 Spare Parts and Appendix V
10	10/2009	Modified 10.11 Electrical Components Added 10.11.1 Electrical Components With 100 ft Input Cord Option
11	07/2010	Added 10.14.9 Towing Trailer (Option N)
12	12/2011	Modified 10.14.13 Return Sight Gauge Parts List

**Models: 5410  
Hydraulic Power Unit**

This product cannot be modified without the written approval of Tronair, Inc. Any modifications done without written approval voids all warranties and releases Tronair, Inc., its suppliers, distributors, employees, or financial institutions from any liability from consequences that may occur. Only Tronair OEM replacement parts shall be used.

**1.0 PRODUCT INFORMATION**

1.1 DESCRIPTION

Hydraulic Power Unit (HPU)

<b>Model Number:</b> 5410 .....	<b>Fluid Type:</b> MIL-H-5606
------------------------------------	----------------------------------

1.2 MODEL & SERIAL NUMBER

Reference nameplate on unit.

1.3 MANUFACTURER

TRONAIR, Inc.  
1740 Eber Road  
Holland, Ohio 43528-9794 USA

Telephone: (419) 866-6301 or 800-426-6301  
Fax: (419) 867-0634  
Email: sales@tronair.com  
Website: www.tronair.com

1.4 FUNCTION

The Hydraulic Power Unit (HPU) provides a source of clean, pressurized hydraulic fluid for performing required aircraft maintenance. An electric motor drives a pressure compensated piston pump. Filters are provided on the pressure and return systems. A bypass (dump) valve allows starting and stopping of the unit under a no-load, safe condition. The unit may use either the aircraft or on-board HPU reservoir. Cooling is provided for continuous operation.

1.5 REQUIREMENTS

Adequate electrical power must be provided for proper functioning of the HPU. See the unit nameplate for proper voltage and frequency. See Section 3.0 for proper sizing of electrical supply and protection equipment in the facility.

**2.0 SAFETY INFORMATION**

2.1 USAGE AND SAFETY INFORMATION

The HPU provides pressurized hydraulic fluid for performing aircraft maintenance.

To ensure safe operations, please read the following statements and understand their meaning. Also refer to your aircraft manufacturer's manual for other important safety information.



**WARNING!** — Warning is used to indicate the presence of a hazard that **can cause severe personal injury, death, or substantial property damage** if the warning notice is ignored.

**CAUTION!** — Caution is used to indicate the presence of a hazard that **will or can cause minor personal injury or property damage** if the caution notice is ignored.

2.0 Safety Information continued on following page.

**Models: 5410  
Hydraulic Power Unit**

**2.0 SAFETY INFORMATION** *(continued)*

**2.2 EXPLANATION OF WARNING & DANGER SIGNS**



**Accidental Starts!** Before servicing the HPU or equipment, always disconnect electrical power supply to prevent accidental starting.



**Rotating Parts!** Keep hands, feet, hair, and clothing away from all moving parts to prevent injury. Never operate the HPU with covers, shrouds, or guards removed.



**Electrical Shock!** Never touch electrical wires or components while the HPU is attached to the power source. They can be sources of electrical shock. DO NOT operate HPU with cabinet panels removed.



**Pressurized Fluid!** Before servicing the HPU or equipment, always open the bypass valve to relieve any residual pressure in the hydraulic system.

**2.3 COMPONENT SAFETY FEATURES**

- Pump/Motor coupling guard
- Sheet metal panels
- Pressure and return system relief valves
- Control circuit fuses
- Motor overload protection

**2.4 FUNCTIONAL SAFETY FEATURES**

- Emergency shut off switch
- Floor lock
- Calibration port shut off valve
- Fluid sample shut off valve

**2.5 PERSONAL PROTECTION EQUIPMENT**

- Safety glasses must be worn when operating the HPU.
- Additional equipment recommended by the fluid manufacturer (gloves, etc.). **Reference Appendix: Material Safety Data Sheet pertaining to fluid(s).**

**2.6 SAFETY GUIDELINES**

- Operator must be properly trained prior to operating the HPU.
- HPU power switch must be in "Off" position when connecting or disconnecting hoses to the aircraft.
- Bypass valve must be in the "Open" position when starting or stopping the HPU.
- Electrical power must be disconnected from the HPU and the bypass valve must be in the "Open" position before servicing the HPU. (Reference Technical Manual for details on servicing the HPU.)

**2.7 GENERAL COMMENT**

The HPU is intended to be operated by personnel trained in the proper use in conjunction with the aircraft maintenance manual.

**2.8 GENERAL COMMENT**

The HPU must be used in accordance with the Technical and Operator Manuals and the intended aircraft.



**Models: 5410  
Hydraulic Power Unit**

**3.0 ELECTRICAL POWER REQUIREMENTS**

The electrical power supply for the HPU must include a fused disconnect using Type J or Type R fuses or equivalent magnetic type circuit breakers designed for protecting an electrical motor. This necessary equipment is for protection of the HPU, power cord, and customer-supplied plug and receptacle. *Reference the Table below:*

**ELECTRICAL POWER AND PROTECTION REQUIREMENTS**

60 Hz Applications					
Voltage	208	230	380	460	575
Full Load Amps	73.0	66.0	38.0	33.0	26.0
Locked Rotor Amps	404	365	221	182	146
Recommended Fuse Size	100	90	50	45	35
Maximum Fuse Size	110	100	60	50	40

50 Hz Applications					
Voltage	200	220	380	415	440
Full Load Amps	75.0	72.0	36.0	36.0	35.0
Locked Rotor Amps	415	382	221	200	191
Recommended Fuse Size	100	90	45	45	45
Maximum Fuse Size	110	110	50	50	50

**4.0 PREPARATION PRIOR TO FIRST USE**

4.1 GENERAL

Prior to operating the HPU, the user should become familiar with this Operator Manual.

4.2 SERVICING RESERVOIR

Fill the reservoir with the correct fluid (see label next to reservoir fill for correct type of fluid) until fluid level is above the minimum fluid level mark but below the maximum fluid level. See **Figure 6.3.1 Front Panel Controls** for reservoir fill location.

4.3 CONNECTING ELECTRICAL LEADS



**Electrical Shock!** Never touch electrical wires or components while electrical power is attached. Only qualified electricians should connect the electrical leads.

Install plug onto the electrical cord. If motor rotation is not correct, change any two of the three leads at the plug. Reference **Section 3.0 Electrical Power and Protection Requirements** for power requirements and fuse sizes. (See **6.4 Start up Procedures** before starting HPU.)

**WARNING!**



**Balanced three phase voltage must be available to prevent overheating and damage to the motor.**

**Voltage unbalanced between phases occurs when the voltages differ from one another.**

**Some reasons for imbalance are:**

1. Unequal loading of each phase
2. Poor connections in the supply
3. Single phase condition caused by blown fuses or bad connections

**If these conditions occur in the incoming power system, a protective device, such as a voltage monitor, should be installed on the machine to prevent motor damage.**

**Models: 5410  
Hydraulic Power Unit**

**5.0 TRAINING**

**5.1 TRAINING REQUIREMENTS**

The employer of the operator is responsible for providing a training program sufficient for the safe operation of the HPU.

**5.2 TRAINING PROGRAM**

The employer provided operator training program should cover safety procedures concerning use of the HPU in and around the intended aircraft at the intended aircraft servicing location.

**5.3 OPERATOR TRAINING**

The operator training should provide the required training for safe operation of the HPU.

***NOTE: Maintenance and Trouble Shooting are to be performed by a skilled and trained technician.***

**6.0 OPERATION**

**6.1 OPERATING PARAMETERS**

- The user shall use the HPU in accordance with the aircraft manufacturer's instructions.
- The user shall operate the HPU in accordance with the Technical and Operator Manuals.
- The employer of the operator shall provide all necessary training.

**6.2 NUMERICAL VALUES**

**6.2.1 Fluid**

(See Nameplate on unit for Model Number.)

<b>Fluid Type:</b>	<b>Model:</b>
MIL-H-5606 .....	5410

**6.2.2 Physical**

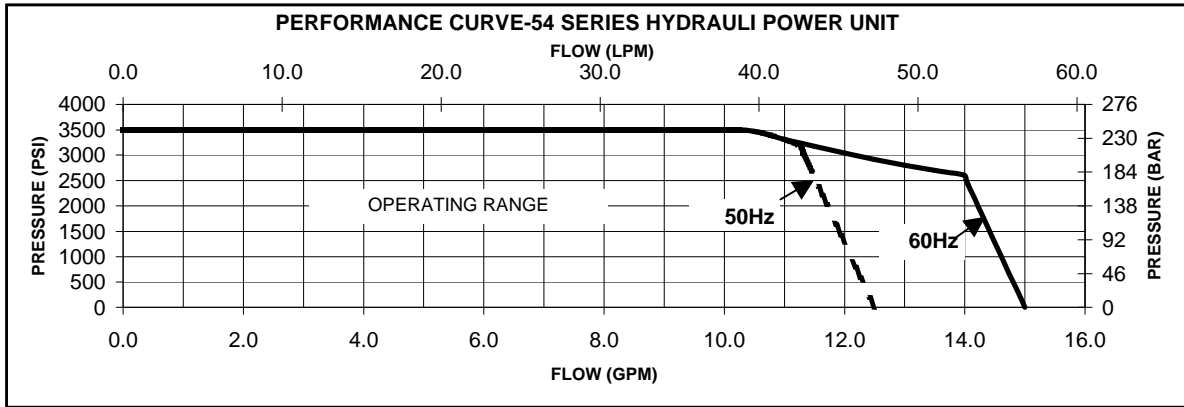
- Weight (Dry): 1,450 lbs (568 kg)
- Dimensions: Width 51 in (129.5 cm)  
Height 50 in (127.0 cm)  
Depth 54 in (137.2 cm)
- Power Cord: 50 ft (15.24 m) long
- Pressure Hoses: 25 ft (7.62 m) Standard Length  
50 ft (15.24 m) Optional Length  
-12 (¾ in, 19.1 mm) Working Diameter
- Return Hoses: 25 ft (7.62 m) Standard Length  
50 ft (15.24 m) Optional Length  
-16 (1 in, 25.4 mm) Working Diameter
- Hand Pump Hose: 15 ft (4.57 m) Standard Length  
-4 (¼ in, 6.4 mm) Working Diameter
- Estimated Noise Level: 86-89 dbA @ 3 feet

**Models: 5410  
Hydraulic Power Unit**

6.2 NUMERICAL VALUES *(continued)*

**6.2.3 Hydraulic Pump**

- A pressure compensated, adjustable maximum volume piston pump.
- Maximum flow at 60 Hz: ..... 15 gpm (56.7 lpm)
- Maximum flow at 50 Hz: ..... 12 gpm (47.3 lpm)
- Maximum operating pressure at 50 Hz and 60 Hz: ..... 3,500 psi (241 bar)
- System pressure relief valve setting: ..... 3,750 psi (258 bar)
- Performance Curve for 50 Hz and 60 Hz: ..... Reference **Figure 6.2.3**



**FIGURE 6.2.3 – Performance Curve (50 Hz and 60 Hz)**

**6.2.4 Electric Motor**

A 25 horsepower, TEFC electric motor is the prime mover for the HPU. This is attached to the hydraulic pump using a pump/motor adapter and a spider/coupling rotating interface.

<b>MOTOR POWER REQUIREMENTS</b>			
<b>60 Hz Applications</b>		<b>50 Hz Applications</b>	
<b>Voltage</b>	<b>Full Load Amps</b>	<b>Voltage</b>	<b>Full Load Amps</b>
208	73.0	200	75.0
230	66.0	220	72.0
380	38.0	380	36.0
460	33.0	415	36.0
575	26.0	440	35.0

**FIGURE 6.2.4 - Motor Power Requirements**

6.2 Numerical Values continued on following page.

**Models: 5410  
Hydraulic Power Unit**

6.2 NUMERICAL VALUES *(continued)*

**6.2.5 Filters**

- Pressure: .....2 micron rating, non-bypass high collapse microglass type. Non-cleanable element.
- Return: .....5 micron rating, 15 psi (1.03 bars) bypass microglass type. Non-cleanable element.
- Hand Pump (*Option M*):.....2 micron rating, non-bypass microglass type. Non-cleanable element.
- Air/Desiccant: .....3 micron filter, silica gel desiccant type. Non-cleanable element.

**6.2.6 Hand Pump (*Option M*)**

Two stage hand pump, low pressure stage 0–500 psi (0–34.47 bars) and 500–5,000 psi (34.47–344.74 bars) high pressure stage. Pump automatically changes stage internally based on system pressure.

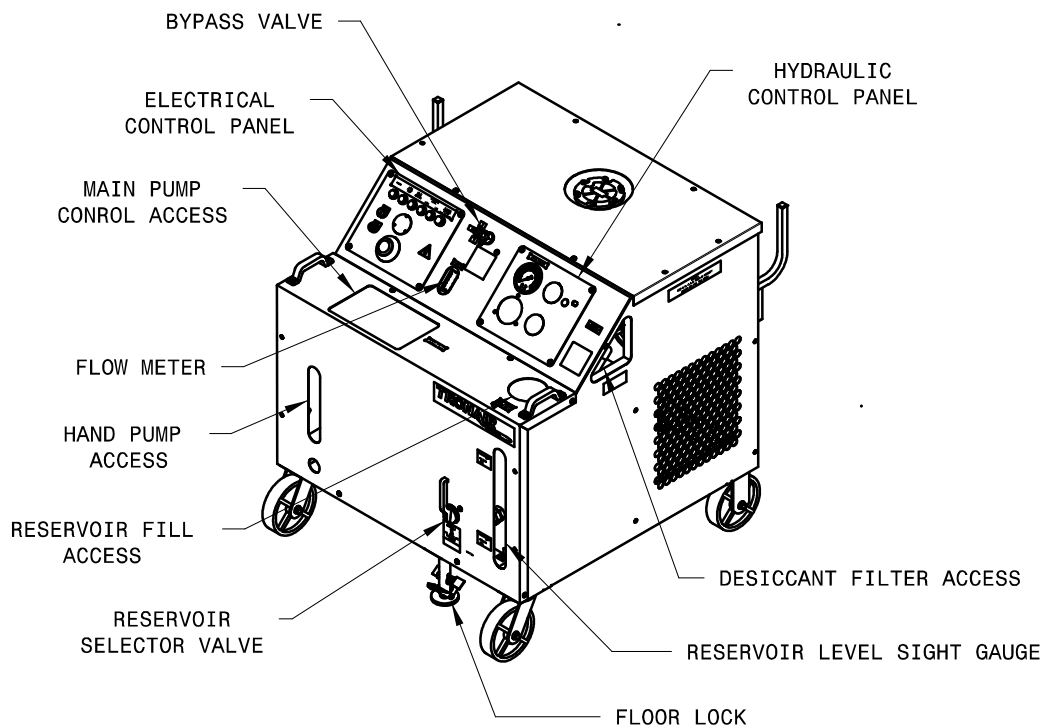
- Low Pressure Stage:     Piston Diameter: ..... 1½ in (38.1 mm)  
                                  Working Pressure: ..... 0 – 500 psi (0 – 34.47 bar)  
                                  Displacement/Stroke:..... 2.1 in<sup>3</sup> (34.4 cm<sup>3</sup>)  
                                  Force/100 psi (6.89 bar): . 12.0 lbs/100 psi (7.74 N/bar)
- High Pressure Stage:    Piston Diameter: ..... 5/8 in (15.88 mm)  
                                  Working Pressure: ..... 500 – 5,000 psi (34.47 – 344.74)  
                                  Displacement/Stroke:..... 0.4 in<sup>3</sup> (6.55 cm<sup>3</sup>)  
                                  Force/100 psi (6.89 bar): . 2.2 lbs/100 psi (1.42 N/bar)
- Pressure Relief Setting: 5,250 psi (362.0 bar)

**Models: 5410  
Hydraulic Power Unit**

**6.0 OPERATION** *(continued)*

**6.3 LOCATION & LAYOUT OF CONTROLS**

**6.3.1 Front Panel Controls**



**FIGURE 6.3.1 – Front Panel Controls**

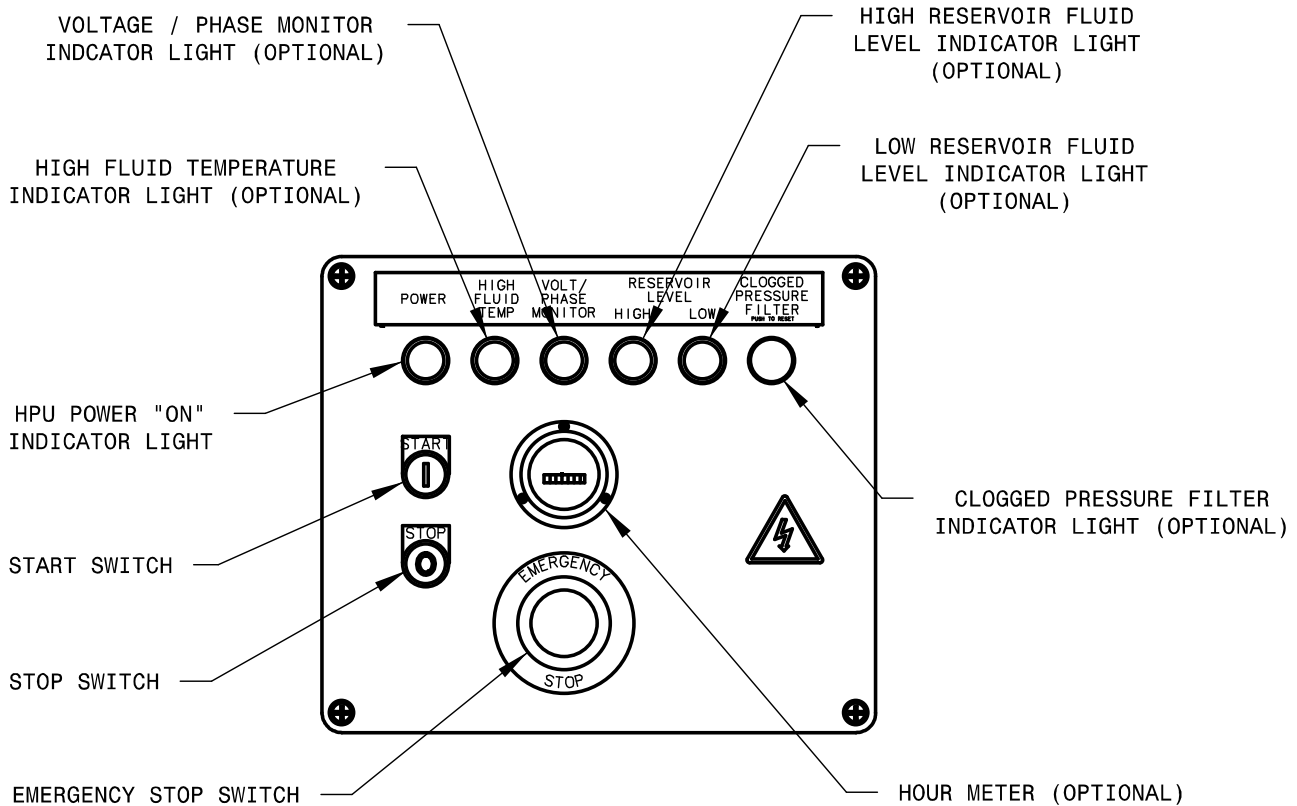
- Electrical Control Panel: ..... See Section 6.3.2
- Hydraulic Control Panel:..... See Section 6.3.3
- Bypass Valve: ..... For loading and unloading the Hydraulic Pump.
- Flowmeter: ..... Displays the flow from the Hydraulic Pump.
- Pump Control Access: ..... See **Figure 6.3.5 – Hydraulic Pump Controls.**
- Reservoir Selector: ..... For selecting between using the aircraft reservoir or the HPU reservoir.
- Sight Gauge:..... Visual indicator displays the fluid level in the reservoir.
- Reservoir Fill Access: ..... Locking cap for servicing the HPU reservoir.
- Desiccant Filter:..... Access to the reservoir air filter/desiccant filter.
- Hand Pump (*Option M*):..... Access for hand pump and relief screw, handle stored inside.
- Floor Lock: ..... Locking/unlocking, foot actuated and released floor lock.

6.3 Location & Layout of Controls continued on following page.

**Models: 5410  
Hydraulic Power Unit**

6.3 LOCATION & LAYOUT OF CONTROLS *(continued)*

**6.3.2 Electrical Control Panel**



**FIGURE 6.3.2 – Electrical Control Panel**

- Emergency Stop: ..... Removes power to all electrical devices, must turn to reset.
- Stop Switch: ..... Turns off the electric motors driving the hydraulic pump and cooling fan.
- Start Switch: ..... Turns on the electric motors driving the hydraulic pump and cooling fan.
- HPU Power "On" Indicator Light: ..... Light is illuminated when the electric motors driving the hydraulic pump and cooling fan are on.
- High Fluid Temperature ..... Light is illuminated when the return fluid temperature reaches 160° F (71° C) or above. The HPU will shut down when light is illuminated. The HPU can be re-started when the fluid has cooled and the indicator light is off.
- High Reservoir Fluid Level ..... Light is illuminated when the fluid level in the reservoir is above the normal operating range. The HPU will shut down until the fluid level is restored to a normal operating level.
- Low Reservoir Fluid Level ..... Light is illuminated when the fluid level in the reservoir is below the normal operating range. The HPU will shut down until the fluid level is restored to a normal operating level.

**Models: 5410  
Hydraulic Power Unit**

**6.3.2 Electrical Control Panel (*continued*)**

- Voltage/Phase Monitor .....Light is illuminated if any of the following conditions occur  
Indicator Light (*Options G – J*):
  - Voltage imbalance between L1, L2, L3, greater than 5%
  - Loss of voltage from L1, L2, L3
  - Over voltage from L1, L2, L3, greater than 5%
  - Change in phase orientation between L1, L2, L3. The HPU will shut down until the electrical problem is corrected.
  
- Clogged Pressure Filter .....Light is illuminated when the pressure filter element requires  
Indicator Light (*Option R*):
  - changing. The HPU will not shut down when illuminated. Pressing the illuminated button will reset the light.

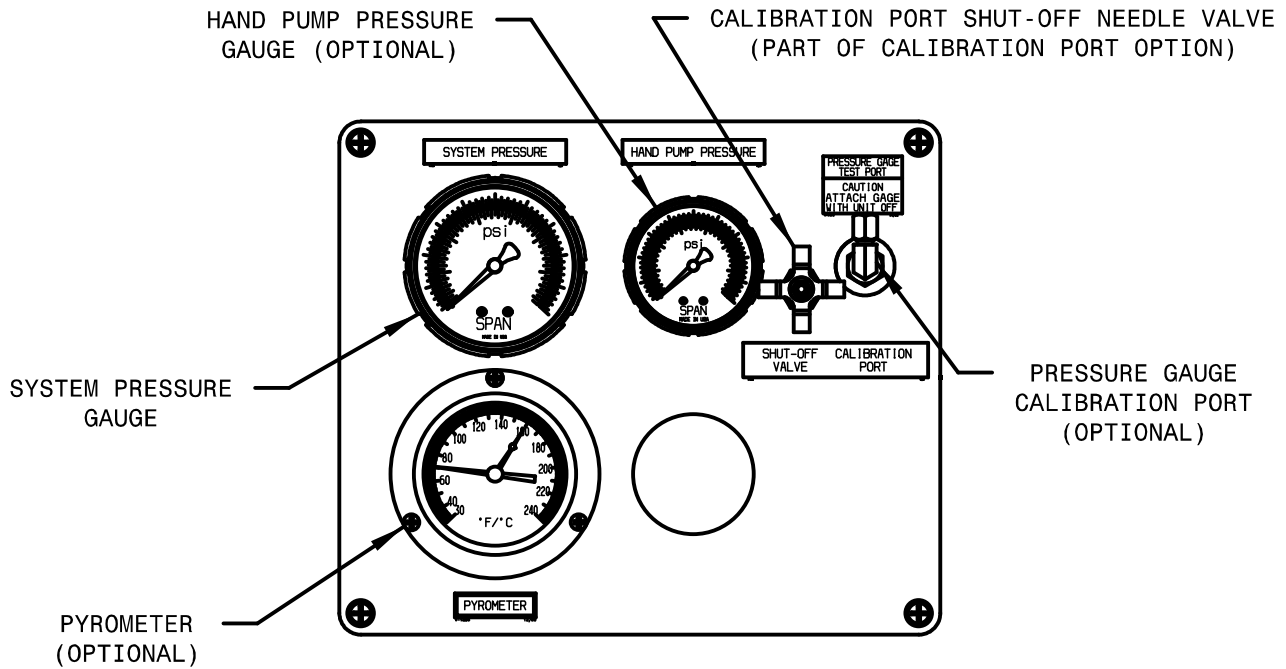
6.3 Location & Layout of Controls continued on following page.



**Models: 5410  
Hydraulic Power Unit**

6.3 LOCATION & LAYOUT OF CONTROLS *(continued)*

**6.3.3 Hydraulic Control Panel**



**FIGURE 6.3.3 – Hydraulic Control Panel**

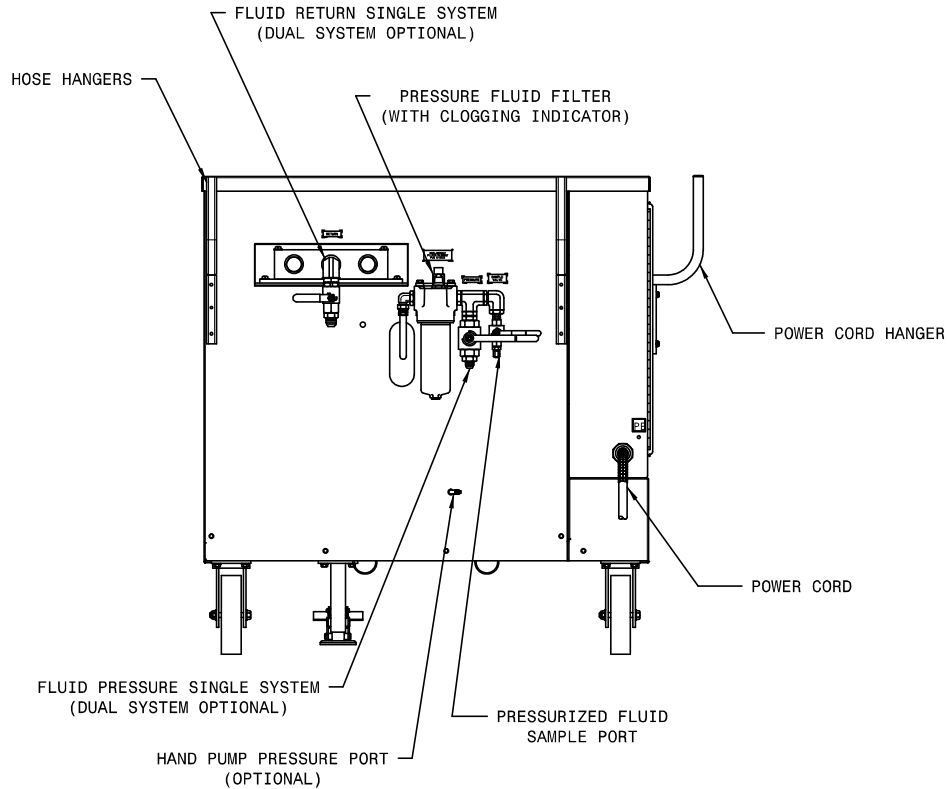
- System Pressure Gauge: ..... Displays the system pressure on an analog fluid dampened gauge.
- Pyrometer (*Option K*):..... Displays the fluid temperature in the return system on an analog gauge. A warning indicator preset to 160° F (71° C) warns of high operating temperature.
- Pressure Gauge Calibration ..... Allows for calibration of the system pressure gauge up to the operating pressure of HPU. Calibration port shut off valve must be used in conjunction with the calibration port.
- Calibration Port Shut Off Valve:..... (*Part of Calibration Port Option Q*)  
Used to shut off pressure to the calibration port. This valve should only be opened when the external standard gage is attached. (See Technical Manual for proper procedure.)
- Hand Pump Pressure Gauge ..... Displays the hand pump system pressure on an analog fluid dampened gauge.



**Models: 5410  
Hydraulic Power Unit**

6.3 LOCATION & LAYOUT OF CONTROLS *(continued)*

**6.3.4 Rear Panel Controls**



**FIGURE 6.3.4 – Rear Panel Controls**

- \* Fluid Pressure System:..... The source of pressurized fluid from the HPU that flows to the aircraft pressure system through the pressure hose.
- \* Fluid Return System:..... Fluid returning to the HPU from the aircraft that flows through the return hoses.
- Pressure Fluid Filter: ..... Filters the pressurized fluid before it flows to the aircraft pressure system.
- Pressurized Fluid Sample Port: ..... A sample valve is provided to obtain a fluid sample for analysis. In order to obtain a representative sample, it is suggested that ANSI/B93.19M-1972(R1993) be followed.
- Hand Pump Pressure Port:..... Pressurized fluid from hand pump filter.  
*(Option M)*
- Hose Racks: ..... Location for storing the pressure, return and optional hand pump hoses when not in use.
- Power Cord Hanger:..... Location for storing the power cord when not in use.

\* **Dual System (Optional) consists of two (2) each of these items.**

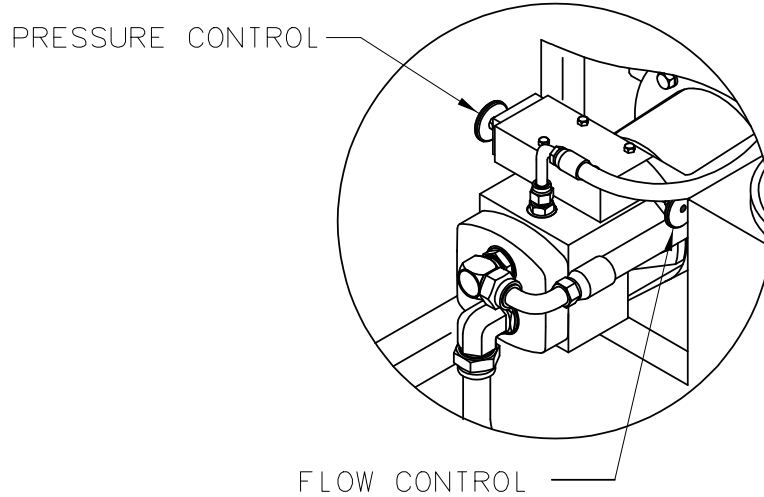
6.3 Location & Layout of Controls continued on following page.

**Models: 5410  
Hydraulic Power Unit**

6.3 LOCATION & LAYOUT OF CONTROLS *(continued)*

**6.3.5 Hydraulic Pump Controls**

The hydraulic pump flow control and pressure control are located through the pump control access door.



**FIGURE 6.3.5 – Hydraulic Pump Controls**

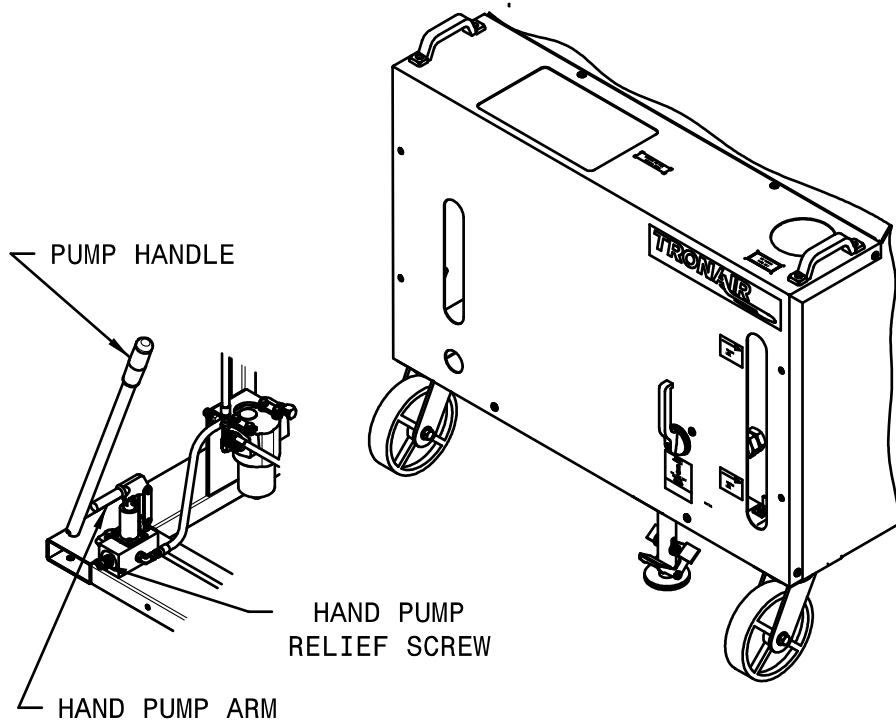
- Flow Control:..... This control is used to set the maximum flow required from the HPU.
- Pressure Control:..... The pressure control is used to set the system pressure of the HPU during operation.

**Models: 5410  
Hydraulic Power Unit**

6.3 LOCATION & LAYOUT OF CONTROLS *(continued)*

**6.3.6 Hand Pump Controls (Option M)**

Reference 6.9 Hand Pump Operation.



**FIGURE 6.3.6 – Hand Pump Controls**

- Pump Handle: ..... Located inside the front access door is the hand pump handle used for opening and closing the hand pump relief screw and stroking the hand pump arm.
- Hand Pump Relief Screw: ..... Accessed through the front panel opening, this screw allows opening and closing of the hand pump hydraulic circuit using the hand pump handle.
- Hand Pump Arm: ..... The handle is used to access the hand pump arm used for up and down motion to produce hydraulic flow and pressure.

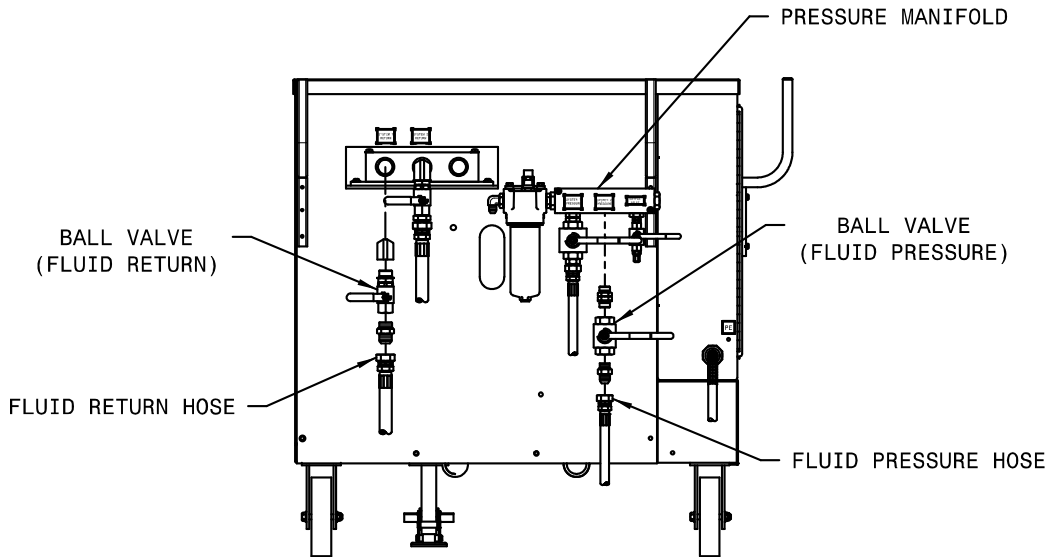
6.3 Location & Layout of Controls continued on following page.

**Models: 5410  
Hydraulic Power Unit**

6.3 LOCATION & LAYOUT OF CONTROLS *(continued)*

**6.3.7 Dual System Controls *(Option C)***

Reference 6.7 Dual System Operation.



**FIGURE 6.3.7 –Dual System Controls**

- Pressure Manifold:.....Houses the pressure valves.
- Fluid Pressure Ball Valve: ..... Used to turn on and off the flow to separate aircraft systems. Always use in either fully open or fully closed position; never use in a partially open position.
- Fluid Pressure Hose: ..... Connects HPU to aircraft pressure systems.
- Fluid Return Hose:..... Connects HPU to aircraft return systems.

**WARNING!**



**NEVER open or close dual system valves without shutting off the Hydraulic Power Unit. Damage to the aircraft system or reservoir may result if either return line valve is closed while the machine is running.**

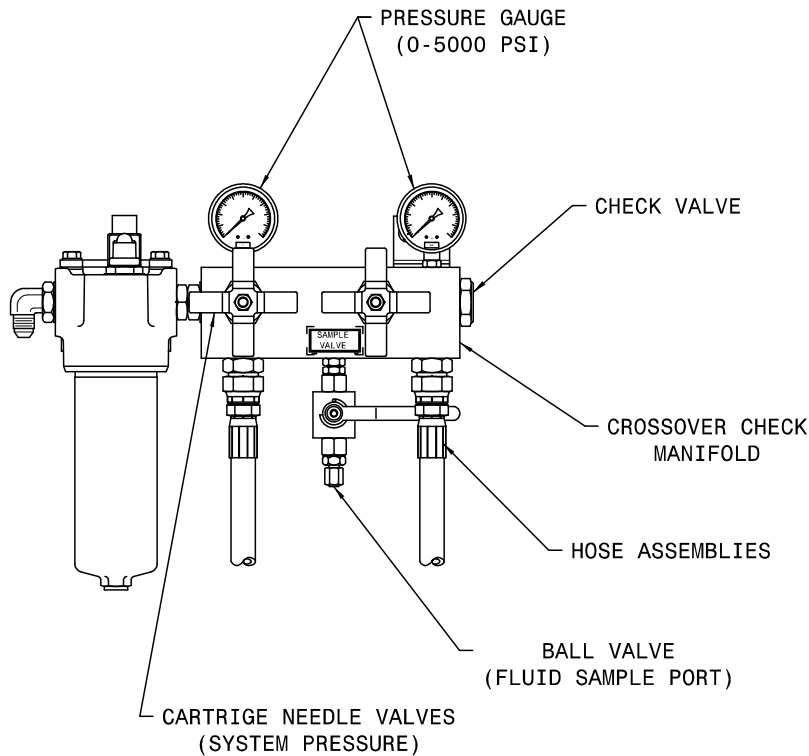
- Fluid Return Ball Valve: ..... Used to turn on and off the flow from separate aircraft systems. Always use in either fully open or fully closed position; never use in a partially open position.

**Models: 5410  
Hydraulic Power Unit**

6.3 LOCATION & LAYOUT OF CONTROLS *(continued)*

**6.3.8 Dual System Crossover Check Controls (Option D)**

Reference 6.8 Dual System Crossover Check Operation.



**FIGURE 6.3.8 – Dual System Crossover Check Controls**

- Pressure Gauge: ..... Displays the pressure in each aircraft system.
- Hose Assembly:..... Connects HPU to aircraft pressure system.
- Ball Valve:..... Turns on and off the fluid for taking contamination samples.
- Crossover Check Manifold: ..... Houses the valves and gauges.
- Cartridge Needle Valve: ..... Used to turn on and off the flow to the separate aircraft pressure systems. Always use in either fully open or fully closed position; never use in a partially open position.
- Check Valve:..... Prevents cross flow from System 2 pressure line to System 1 pressure line.

**WARNING!**



**NEVER** open or close dual system valves without shutting off the Hydraulic Power Unit. Damage to the aircraft system or reservoir may result if either return line valve is closed while the machine is running.

6.0 Operation continued on following page.

Models: 5410  
Hydraulic Power Unit

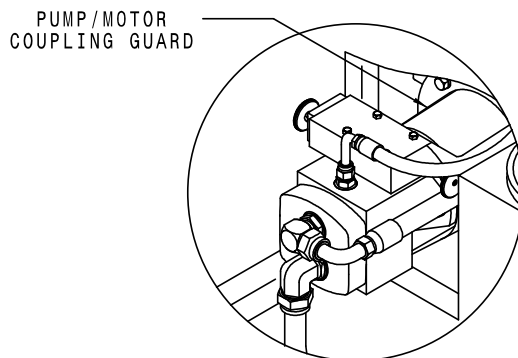
6.0 OPERATION (continued)

6.4 START UP PROCEDURES

6.4.1 Procedure for First Time or Different Electrical Supply ONLY

**Phase Monitor (Options G – J Only):** Check that the phase monitor light on the instrument panel is not illuminated. If the light is illuminated, change any two of the three input leads at the plug. Once the phase monitor light is not illuminated with power attached, check for proper motor rotation.

- a. Remove the pump/motor coupling guard. Reference **Figure 6.4.1 – Pump/Motor Coupling Access**.



**FIGURE 6.4.1 – Pump/Motor Coupling Access**



**Rotating Parts!** Keep hands, feet, hair, and clothing away from all moving parts to prevent injury. Never operate the HPU with covers, shrouds, or guards removed.

- b. Verify that the unit has been prepared for use by connecting electrical leads and servicing the reservoir. (Reference Section 4.0 *Preparation Prior to First Use*.)
- c. Keeping hands clear of the pump/motor coupling area, momentarily press the start button and immediately press the stop button.
- d. Observe direction of rotation of the pump/motor coupling. When the Operator is facing the front panel, the pump/motor coupling should be rotating in a clockwise direction.



**Electrical Shock!** Never touch electrical wires or components while the HPU is attached to the power source. They can be sources of electrical shock.

**Do not operate HPU with cabinet panels removed.**

- e. If the pump/motor coupling is rotating in a counter-clockwise direction, change any two of the three leads at the plug. Observe direction of rotation to verify that pump/motor is rotating in a clockwise direction.
- f. Replace the pump/motor coupling guard.

6.4.2 Initial Start Up of the HPU

- a. Unit must be prepared per Section 4.0 *Preparation Prior to First Use* and Section 6.4.1 *First Time or Different Electrical Supply ONLY* before starting the HPU.
- b. Operator must be familiar with this manual and be properly trained prior to starting the HPU.
- c. Connect quick disconnects to hose ends or cap the pressure and return hose ends.
- d. Place the reservoir selector valve in "HPU Reservoir" position.
- e. Place the bypass valve in the "Open" position.

**Models: 5410  
Hydraulic Power Unit**

**6.4.2 Initial Start Up of the HPU (continued)**

- f. Press the start switch and adjust the flow control until 6 gpm (22.71 lpm) is displayed on the flowmeter. (If no flow displays on the flowmeter after adjusting the flow control, reference Trouble Shooting 9.2 No Flow).
- g. Close the bypass valve, adjust the pressure control until 3,000 psi (206.84 bars) is displayed on the pressure gauge. (If no pressure displays on the system pressure gauge after adjusting the pressure control, reference Trouble Shooting 9.4 No Pressure or Reduced Pressure).
- h. Open the bypass valve; press the stop switch.

**NOTE:** *Maintenance and Trouble Shooting are to be performed by a skilled and trained technician.*

**6.5 PRELIMINARY ADJUSTMENTS FOR OPERATION**

The following are basic to the operation of the HPU and should be thoroughly understood. The pressure and flow controls have lock nuts to prevent rotation of the control shaft during operation. These nuts should be moved away from the pump during adjustment of flow or pressure in order to eliminate binding of the control shafts.

**6.5.1 Flow Control Adjustment**

- a. Open bypass valve.
- b. Select "Hydraulic Power Unit" position with reservoir selector valve.
- c. Start HPU.
- d. Adjust flow control on pump for maximum desired flow. Observing the flowmeter, read flow in gallons (liters) per minute directly from flowmeter. Be sure the control shaft lock nut is loose during adjustment. Tighten after adjustment to maintain setting.

**6.5.2 Pressure Control Adjustment**

- a. Open bypass valve.
- b. Select "Hydraulic Power Unit" position with reservoir selector valve.
- c. Start HPU.
- d. Close bypass valve.
- e. Adjust pressure control for desired pressure; observing the system pressure gauge, read in psi (bars). Be sure the control shaft lock nut is loose during adjustment. Tighten after adjustment to maintain setting.

**NOTE:** *Once the flow and pressure controls have been adjusted, it is not necessary to change these settings after each operation unless desired.*

**6.5.3 Reservoir Selector Valve Operation**

Operation of the reservoir selector valve allows the operator to select either the aircraft reservoir (closed loop) or the HPU reservoir (open loop).

**CAUTION!**



**The reservoir selector valve should only be operated when the HPU is not running. The operation of the reservoir selector valve should be done prior to starting the HPU.**

- a. Aircraft Reservoir Position (Closed Loop)

In this position, the HPU is dependent on the aircraft reservoir and system for an adequate supply of fluid. Cavitation, due to an inadequate fluid supply from the aircraft, may be indicated by erratic fluctuation of the system pressure gauge or flowmeter. At times, the aircraft fluid supply will be restricted due to small return oil lines in the aircraft. If this is a problem, decrease the flow control setting until the cavitation is eliminated.

*6.5.3 Reservoir selector valve operation continued on following page.*

**Models: 5410  
Hydraulic Power Unit**

**6.5.3 Reservoir Selector Valve Operation** *(continued)*

b. HPU Reservoir Position (Open Loop)

In this position, the HPU reservoir supplies fluid to the pump and accepts return fluid from the aircraft. It is desirable to operate the HPU in this mode since it eliminates any possibility of cavitation.

Since the HPU reservoir is vented to atmosphere and the aircraft is at a higher level, it is normal for the aircraft reservoir to drain into the HPU reservoir. It is, therefore, necessary to be sure that sufficient room is available in the HPU reservoir to accommodate the additional fluid.



**CAUTION!**

**The aircraft system reservoir must be serviced after completion of operational testing.**

In the "HPU Reservoir" position, faster landing gear swings are usually possible since there is no restriction to flow at the pump inlet.

**6.5.4 Bypass Valve Operation**

The bypass valve is used for unloading the pump. The valve should be either in the fully open or fully closed position only. Do not operate the valve in a partially open position.

a. Start Up Operation

The bypass valve must be opened prior to starting the HPU in order to allow the motor to start under a no load condition and not pressurize the aircraft hydraulic system.

b. Shut Down Operation

Prior to shutdown, the bypass valve must be opened to bleed off any residual system pressure.

**CAUTION!**



**Excessive heat, which could damage machine components, will be generated if the bypass valve is partially open or is used for regulating flow or pressure.**

- Use the flow and pressure controls for regulation.
- Use the bypass valve for unloading the system only.

**6.6 BLEEDING AIR FROM SYSTEM**

Rapid fluctuations of the pressure gage and flow-meter are indications of cavitation or entrapped air in the hydraulic lines and/or components. Air may enter the system when:

- Operating the unit with insufficient oil in the reservoir.
- Changing a component on the aircraft.
- Changing hose connections and/or couplings.

**6.6.1 To Easily Purge the Unit of Air**

- a. Fill reservoir to recommended level.
- b. Open bypass valve.
- c. Place reservoir selector valve in "Hydraulic Power Unit" position.
- d. Start unit and adjust flow control to maximum position.

**NOTE:** *If fluid is not flowing, shut off HPU and reference 9.2 No Flow in Trouble Shooting section of Technical Manual*

- e. Run unit for five (5) minutes and shut off.
- f. If additional bleeding is required, connect the pressure and return hoses together and open all pressure and return ball valves at the rear of the HPU. Start the HPU and slowly close the bypass valve (system pressure should remain under 200 psi (approximately 14 bars). Allow fluid to flow at full flow for five (5) minutes, then shut the HPU off.



**Models: 5410  
Hydraulic Power Unit**

**6.6.1 To Easily Purge the Unit of Air (continued)**



**WARNING!**

**Failure to open the return ball valves will cause hose or valve rupture. Property damage and personal injury can result.**

**6.7 DUAL SYSTEM OPERATION (Option C)**

The dual system option allows control of fluid flow to aircraft with two hydraulic systems. The systems consist of two sets of hoses and valves located in the pressure and return systems. The valves are mounted on the rear of the hydraulic power unit and are of the 90° ball type. The valves are open when the operating handle is in line with the valve.

Although both systems may be operated simultaneously, usually only one system is required at any one time. If both valve sets are open simultaneously, the pump output will be divided between the two systems. Also, cross flow between aircraft reservoirs may occur if a reservoir level or pressure differential exists. Select valve positions prior to starting machine.

**6.7.1 To Operate the Dual System**

- a. Before starting machine, open pressure and return valves of the same system.

**WARNING!**



**Ensure pressure and return hoses of the same system are paired and used together.**

**NEVER open or close dual system valves without shutting off the Hydraulic Power Unit. Damage to the aircraft system or reservoir may result if either return line valve is closed while the machine is running.**

- b. After completing tests on one system, shut the machine off before selecting the second system.

**6.8 DUAL SYSTEM CROSSOVER CHECK (Option D)**

The Dual System feature of this option allows control of fluid flow to the aircraft with two hydraulic systems. The systems consist of two sets of hoses and valves located at the rear of the unit on the pressure and return manifolds. The return system valves are of the 90° ball type and are open when the handle is in line with the valve. The pressure system valves are cartridge type needle valves.

Although both systems may be operated simultaneously, usually only one system is required at any one time. If both valve sets are open simultaneously, the pump output will be divided between the two systems.

The Dual System Crossover Check option adds a check valve and pressure gauges to the dual system feature. The check valve prevents cross flow from System 2 pressure line to System 1 pressure line, while the gauges allow bleed down pressure in each line to be read when the needle valves are closed.

**6.8.1 To Operate the Dual System with Crossover Check**

- a. Before starting the machine, open pressure and return valves of the same system

**WARNING!**



**Ensure pressure and return hoses of the same system are paired and used together.**

- b. After completing tests on one system, shut the machine off before selecting the second system.

*6.8.1 To operate the dual system with crossover check continued on following page.*

Models: 5410  
Hydraulic Power Unit

6.8.1 To Operate the Dual System with Crossover Check *(continued)*

**WARNING!**



**NEVER** open or close dual system valves without shutting off the Hydraulic Power Unit.

**Damage to the aircraft system or reservoir may result if either return line valve is closed while the machine is running.**

- c. Follow the aircraft manufacturer's instructions for proper use of the crossover check capabilities.

6.9 HAND PUMP OPERATION *(Option M)*

The Hand Pump Option allows for filling the reservoir (low pressure) or static testing of components or system (high pressure). The hand pump circuit is separate from the main hydraulic system; a separate filter and hose are attached to the back panel of the HPU.

6.9.1 To Operate the Hand Pump

- a. Remove the pump handle from inside the front access door. (Reference **Figure 6.3.6 – Hand Pump Controls**)
- b. Insert the end of the pump handle through the front panel opening into the hand pump relief screw.
- c. Turn the pump handle clockwise to close the relief screw.
- d. Insert the pump handle onto the hand pump arm through the front panel slot.
- e. Pump the handle using an up and down motion. Observe the hand pump system pressure on the hydraulic control panel (Figure 6.3.3 – Hydraulic Control Panel). The pump is an automatic two stage pump. 500 psi (34.47 bar) can be produced with high fluid flow and 5,000 psi (344.74 bar) can be produced with low fluid flow.
- f. Turning the relief screw in a counter-clockwise direction releases hydraulic pressure in the hand pump system.



**Pressurized Fluid!** Before disconnecting the hand pump pressure hose, **ALWAYS** open the relief screw valve to relieve any residual pressure in the hydraulic system.

6.10 SAMPLE VALVE

A sample valve is provided on the rear of the unit to obtain a fluid sample for analysis or inspection.

In order to obtain a representative fluid sample, it is suggested that ANSI/B93.19M-1972 (R1993) *(Reference Appendix)* be followed.



**Pressurized Fluid!** Before servicing the HPU or equipment, **always** open the bypass valve to relieve any residual pressure in the hydraulic system.

6.11 EMERGENCY SHUT DOWN PROCEDURE

In the event an emergency shut down is necessary, press the emergency stop switch located on the electrical panel. (Reference **Figure 6.3.2 – Electrical Control Panel**) Open the bypass valve to remove any system pressure.

**Models: 5410  
Hydraulic Power Unit**

**6.0 OPERATION** *(continued)*

6.12 DESCRIPTION OF ALARM SYSTEMS

Reference **Figure 6.3.2 – Electrical Control Panel**.

**6.12.1 High Fluid Temperature Indicator (Option S)**

The indicator light for high fluid temperature is an active light which will illuminate when the return fluid temperature is 160° F (71° C) or above. The HPU will shut down if the light is illuminated. The HPU can be re-started when the fluid has cooled sufficiently and the light has shut off.

If the high temperature light is illuminated reference section **9.0 Trouble Shooting**.

**6.12.2 Voltage/Phase Monitor Indicator (Options G – J)**

The indicator light for the voltage/phase monitor is an active light which will illuminate if there is a problem with the incoming electrical power source. The HPU will shut down if the light is illuminated.

If the voltage/phase monitor light is illuminated, reference section **9.0 Trouble Shooting**.

**6.12.3 High and Low Reservoir Level Indicator (Option L)**

The indicator lights for high and low reservoir level are active lights which will illuminate when the reservoir fluid level is either above the maximum level or below the minimum level. The HPU will shut down if either of the lights are illuminated.

If the light on either of the reservoir level indicator lights, restore the fluid level in the reservoir to a normal operating range.

**6.12.4 Clogged Filter Indicator Light (Option R)**

The indicator light for the clogged filter is a passive light which will illuminate if the pressure filter element becomes clogged or is in need of replacement. The HPU will not shut down if the light is illuminated.

If the clogged filter indicator light is illuminated, the pressure filter element requires changing. Reference section **10.14.10 Electric Filter Clogging Indicator (Option R)** for maintenance procedure. Pressing the clogging filter indicator light will reset the light and the light will turn off.

**NOTE: Maintenance and Trouble Shooting are to be performed by a skilled and trained technician.**

**7.0 PACKAGING AND STORAGE**

7.1 PACKAGING REQUIREMENTS

- a. Drain hydraulic fluid until level is below the minimum fluid level indicator.
- b. Block up the unit on a pallet so the wheels are not touching the pallet or shipping container.
- c. Plug all hose ends.
- d. Strap unit to pallet or shipping container using the tie down rings located on the frame bottom.

**NOTE: Use at least four (4) straps with a minimum 2,000 lbs (907.2 kg) capacity each.**

7.2 HANDLING

The unit is designed to be moved by hand using the handles located on the front of the unit. The unit can be lifted by means of a fork truck from the center of the machine. Lifting must be from the motor side of the unit only.

**NOTE: Be sure the forks are long enough to reach the frame cross members for stability during lifting. Spread the forks to their maximum width for stability. Reference Figure 8.0 – HPU on Forklift.**

7.0 Packaging and storage continued on following page.

**Models: 5410  
Hydraulic Power Unit**

**7.0 PACKAGING AND STORAGE** *(continued)*

**7.3 PACKAGING PROTECTION**

No special packaging material for cushioning or suspension is required.

**7.4 LABELING OF PACKAGING**

Packaging should be labeled as follows:

**DO NOT DROP  
THIS SIDE UP  
DO NOT STACK**



**7.5 STORAGE COMPATIBILITY**

No special considerations for short term storage (less than three months).

**7.6 STORAGE ENVIRONMENT**

Cover HPU with a suitable, non-abrasive tarp if storing outside. For storage periods greater than three months, drain hydraulic fluid from all hoses and the reservoir. Cover unit to protect outside surface.

If storing outside, protect unit from freezing water, sand, dirt, and direct sunlight. A cover is highly recommended.

**7.0 PACKAGING AND STORAGE** *(continued)*

**7.7 STORAGE SPACE AND HANDLING FACILITIES**

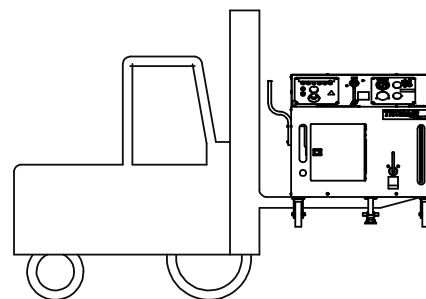
- Weight (Dry): 1,450 lbs (658 kg)
- Dimensions: Width 51 in (129.5 cm)  
Height 50 in (127.0 cm)  
Depth 54 in (137.2 cm)

**8.0 TRANSPORTATION**

1. Do not stack Hydraulic Power Units.
2. The unit can be lifted by means of a fork truck from the motor side center of the HPU.

**NOTE:** *Be sure the forks are long enough to reach frame cross members for stability during lifting. Spread the forks to their maximum width for stability. Reference Figure 8.0 – HPU on Forklift.*

- Weight: 1,200 lbs (544 kg)



**FIGURE 8.0 – HPU on Forklift**

**Models: 5410  
Hydraulic Power Unit**

**9.0 TROUBLE SHOOTING**

The following is a guide to solutions of common problems associated with the HPU. **See related Appendices for Hydraulic and Electrical Schematics.**

If the problem is not resolved using the trouble shooting information, call the manufacturer for Technical Assistance (See Section **1.3 Manufacturer**).

**NOTE: Maintenance and Trouble Shooting are to be performed by a skilled and trained Technician.**

**9.1 HPU WILL NOT START**

<b>Possible Cause</b>	<b>Solution</b>
Supply power off .....	Check incoming power and restore power. Check across-the-line voltage on all three phase legs.
Supply power fuses are blown/ ..... circuit breakers tripped	Check and replace. Check across-the-line voltage on all three phase legs.
Control Transformer fuses blown .....	Check and replace.
Supply power phase or voltage incorrect..... <i>(Phase/Voltage Monitor Option G – J only)</i>	Voltage/Phase Monitor Indicator light will be illuminated. Refer to Section <b>4.3 Connecting Electrical Leads</b> .
Reservoir fluid level is too high or too low..... <i>(Electric Reservoir Level Option L only)</i>	One reservoir level indicator light (Low or High) will be illuminated. Fill the reservoir above the Minimum Fluid Level arrow to extinguish the Low Level light. Drain fluid below the Maximum Fluid Level arrow to extinguish the High Level light.
High return fluid temperature .....	High Fluid Temperature indicator light will be illuminated. Allow the hydraulic fluid to cool until the light goes out. Refer to Section 9.5 for over-heated causes.
Motor has tripped thermal overload device.....	Allow the motor to cool. The thermal overload device (motor starter) will reset automatically after sufficient cooling. The tripped condition is usually caused by loading the motor beyond its rated capacity, however, any condition (such as unbalanced voltage) that causes an increase in amperage can result in a tripped condition.

**NOTE: Using the bypass valve to meter flow or pressure will increase the motor load and may cause the thermal overload device to trip. Refer to section 6.5.4 Bypass Valve Operation for proper use of the bypass valve.**

9.0 Trouble shooting continued on following page.



**Models: 5410  
Hydraulic Power Unit**

**9.0 TROUBLE SHOOTING** *(continued)*

9.2 NO FLOW

<b>Possible Cause</b>	<b>Solution</b>
Motor turning in wrong direction.....	See Section <b>4.3 Connecting Electrical Leads</b> .
Flow control set too low.....	Increase flow setting.
Fluid level in reservoir too low.....	Service the HPU reservoir.
Air in pump inlet lines.....	Disconnect the HPU from the aircraft. Fill the HPU reservoir to a level above the pump inlet port. Set the reservoir selector valve to the HPU Reservoir position. <b>Fully open the Bypass Valve.</b> Close the Pressure and Return ball valves at the rear of the unit. Adjust the pump flow to maximum and "bump" the start and stop switches to "jog" the motor. Flow should be indicated at the Flowmeter on first or second "jog".

**NOTE: Under some conditions where a large amount of air has entered the system, the pump may not be able to draw an initial prime. If this occurs, loosen the inlet hose near the pump and allow air to escape. Re-tighten the hose when fluid appears.**

Motor is turning but pump is not.....	Check pump and motor couplings to ensure they are tight.
Flow path does not exist .....	A flow path (such as a moving actuator or an open circuit) must exist for flow to be present. When system pressure exceeds the compensator control setting, or when the system no longer requires flow, the control de-strokes the pump while maintaining the preset pressure.

9.3 REDUCED FLOW

<b>Possible Cause</b>	<b>Solution</b>
Flow control is set too low .....	Increase flow setting.
Pressure adjustment is set too low. ....	Slightly increase pressure setting.
Pressure compensator control is ..... reducing pump output.	When system pressure exceeds the compensator Control setting, or when the system no longer requires flow, the control de-strokes the pump while maintaining the preset pressure.
Pump inlet is not receiving enough ..... fluid (cavitation)	Follow the procedure for "Air in pump inlet lines" in Section 9.2.
Motor is "Single Phasing" .....	Motor is not getting power on all three phase legs. Check across-the-line voltage on all three phase legs.
Supply voltage is 50 Hz.....	Pumps used on 50 Hz units will flow at only 83% of the pump nameplate rating. An HPU designed to run on 50 Hz will supply flow as stated in the specifications for that unit.

**Models: 5410  
Hydraulic Power Unit**

**9.0 TROUBLE SHOOTING** *(continued)*

9.4 NO PRESSURE or REDUCED PRESSURE

<b>Possible Cause</b>	<b>Solution</b>
Pressure adjustment is set too low .....	Increase pressure adjustment.
Motor is "Single Phasing" .....	Motor is not getting power on all three phase legs. Check across-the-line voltage on all three phase legs.
Pump inlet is not receiving enough .....	Follow the procedure for "Air in pump inlet lines" in fluid (cavitation) section 9.2.
Flow path is open .....	Pressure is resistance to flow. The HPU will reach full pressure as flow paths (such as moving actuators and open valves) are closed.

9.5 FLUID OVERHEATS

<b>Possible Cause</b>	<b>Solution</b>
Fan is not functioning properly .....	Check the cooler fan output. Forced air should be easily detected at the right hand side of the HPU. Check the fuses for the fan motor (See Appendices – Electrical Schematic INS-1725).
Bypass valve or rear ball valve is..... being used in a partially closed position	The bypass valve and all ball valves must be used in a fully open or fully closed position. (These valves are not intended for metering flow. All flow adjustments must be made using the pump flow control.)

9.6 HAND PUMP (*Option M*) IS NOT PUMPING FLUID

<b>Possible Cause</b>	<b>Solution</b>
Release screw is open .....	Use the slotted end of the pump handle to close the release screw located at the base of the pump.
Ball valve is closed.....	Open the ball valve for the pump inlet line located at the bottom of the reservoir.
Pump piston is filled with air.....	If the pump is not primed after several strokes, remove the bleed screw from the top of the pump piston (See Section 10.13.9.a – <i>Pump Diagram</i> ). Slowly stroke the pump until fluid is present at the bleed screw. Replace the bleed screw.

**Models: 5410  
Hydraulic Power Unit**

**10.0 MAINTENANCE**

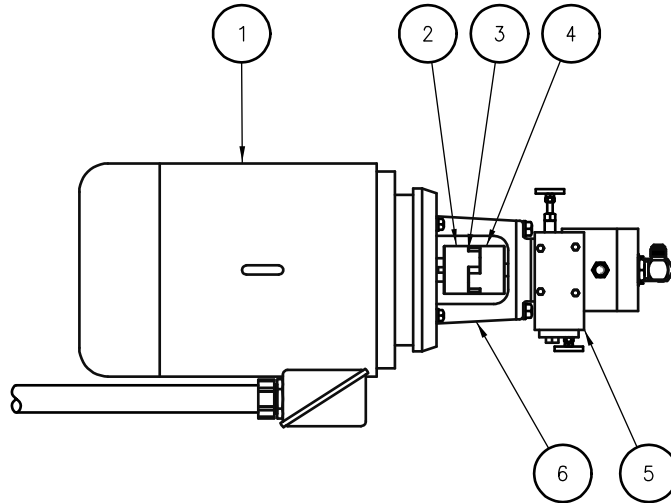
10.1 GENERAL

Periodically inspect the HPU for loose fasteners, hose fittings, damaged hoses, and worn electrical cables. Make repairs as needed for safe operation.

Reference Sections **10.2 – 10.14** for Parts Lists, Descriptions and Illustrations.

10.2 ELECTRIC MOTOR

The Electric Motor is pre-greased by the manufacturer. Periodic greasing is necessary on a frequently used HPU. Reference **Appendices – Lincoln Motor Manual** for details.



**FIGURE 10.2 – Electric Motor/Hydraulic Pump Assembly**

**PARTS LIST**

Item	Part Number	Description	Qty																												
1.....	<i>Reference following:</i> .....	Electric Motor .....	1																												
<table border="0" style="width:100%"> <tr> <td align="center" colspan="2"><b>60 Hz Applications</b></td> <td align="center" colspan="2"><b>50 Hz Applications</b></td> </tr> <tr> <td><b>Voltage</b></td> <td><b>Part Number</b></td> <td><b>Voltage</b></td> <td><b>Part Number</b></td> </tr> <tr> <td>208.....</td> <td>EC-1224-02</td> <td>200.....</td> <td>EC-1224-02</td> </tr> <tr> <td>230.....</td> <td>EC-1224-02</td> <td>220.....</td> <td>EC-1555-11</td> </tr> <tr> <td>380.....</td> <td>EC-1224-01</td> <td>380.....</td> <td>EC-1555-12</td> </tr> <tr> <td>460.....</td> <td>EC-1224-02</td> <td>415.....</td> <td>EC-1224-02</td> </tr> <tr> <td>575.....</td> <td>EC-1224-03</td> <td>440.....</td> <td>EC-1555-11</td> </tr> </table>				<b>60 Hz Applications</b>		<b>50 Hz Applications</b>		<b>Voltage</b>	<b>Part Number</b>	<b>Voltage</b>	<b>Part Number</b>	208.....	EC-1224-02	200.....	EC-1224-02	230.....	EC-1224-02	220.....	EC-1555-11	380.....	EC-1224-01	380.....	EC-1555-12	460.....	EC-1224-02	415.....	EC-1224-02	575.....	EC-1224-03	440.....	EC-1555-11
<b>60 Hz Applications</b>		<b>50 Hz Applications</b>																													
<b>Voltage</b>	<b>Part Number</b>	<b>Voltage</b>	<b>Part Number</b>																												
208.....	EC-1224-02	200.....	EC-1224-02																												
230.....	EC-1224-02	220.....	EC-1555-11																												
380.....	EC-1224-01	380.....	EC-1555-12																												
460.....	EC-1224-02	415.....	EC-1224-02																												
575.....	EC-1224-03	440.....	EC-1555-11																												
2.....	H-2225-01.....	Coupling (Motor Half) .....	1																												
3.....	H-2228.....	Spider (Hytrel) .....	1																												
4.....	H-2225-02.....	Coupling (Pump Half) .....	1																												
5.....	<i>Reference 10.3 &amp; 10.3.1</i> .....	Hydraulic Pump .....	1																												
6.....	HC-1810-03.....	Pump/Motor Adapter .....	1																												



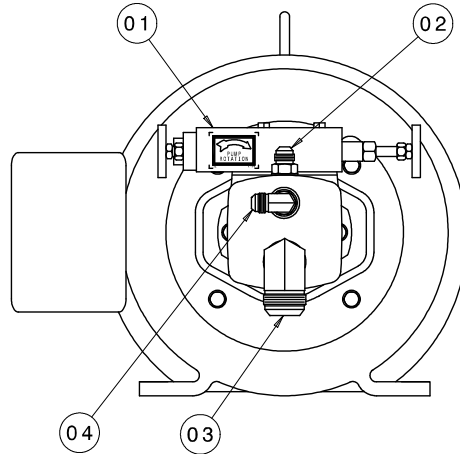
**Models: 5410  
Hydraulic Power Unit**

**10.0 MAINTENANCE** *(continued)*

**10.3 HYDRAULIC PUMP**

The hydraulic pump does not require regular maintenance. Under normal operating conditions, the pump will perform for thousands of hours of use without rebuilding. See **Appendices – Oil Gear Pump Manual** for further details.

**10.3.1 Hydraulic Pump Assembly**



**FIGURE 10.3.1 – Motor Drive Hydraulic Pump Assembly**

**Fluid Type: MIL-H-5606**

Item	Part Number	Description	Qty
◆ 1	K-4264	Assembly, Hydraulic Pump (Painted pump with knobs. Does not include fittings, labels or coupling half.)	1
2	N-2007-20-S-B	Connector, Male #10 SAE x #12 JIC	1
3	N-2001-28-S-B	Elbow, 90° Male #20 SAE x #20 JIC	1
4	N-2001-21-S-B	Elbow, 90° Male #16 SAE x #12 JIC	1

◆ **Refer to section 10.14 for listing of Replacement Labels.**

**10.3.2 Hydraulic Pump Replacement Kits List**

**Fluid Type: MIL-H-5606**

Part Number	Description
TBD	Kit, Shaft Seal and Retainer
TBD	Kit, Gaskets and O-rings
TBD	Kit, Shaft and Bearing Assembly

10.0 Maintenance continued on following page.

**Models: 5410  
Hydraulic Power Unit**

**10.0 MAINTENANCE** (continued)

**10.4 HYDRAULIC FLUID**

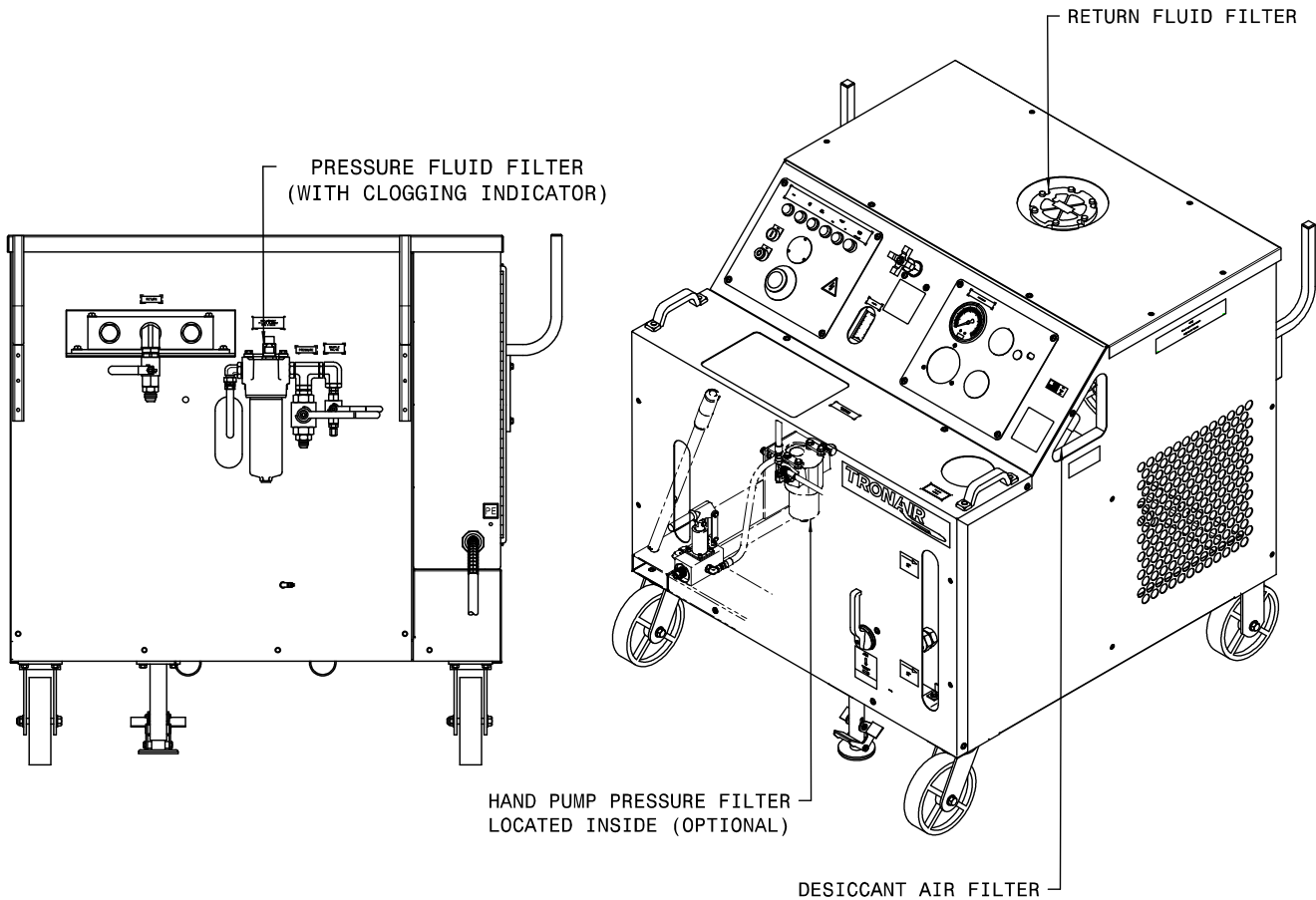
Any time an unusual color, smell or visual indicator is noticed with the hydraulic fluid, a sample analysis should be performed to determine the condition of the fluid. (See Section **6.10 – Sample Valve Operation**)

Refer to the manufacturer of the specific fluid for your unit to obtain additional information:

**Model Number:    Fluid Type:**

5410 ..... MIL-H-5606

**10.5 FILTERS**



**FIGURE 10.5 – Filter Locations**

**Models: 5410  
Hydraulic Power Unit**

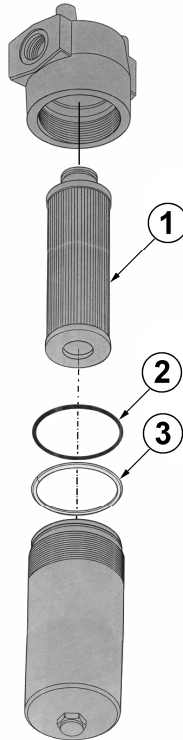
10.5 FILTERS *(continued)*

**10.5.1 Pressure Filter**

Replace the filter element any time the clogged filter indicator light (*Option R*) is triggered or when the pop-up indicator located on the filter head changes to red during operation.

Replace the filter element annually to ensure proper cleanliness of the hydraulic system. This is a minimum requirement.

Standard filter changes depend on how frequently the HPU is used and the cleanliness of the fluid, along with the environment to which the HPU is exposed. Periodic fluid analysis is recommended to properly determine the optimum frequency of filter element changes.



**FIGURE 10.5.1 – Pressure Filter**

**PARTS LIST**

**Fluid Type: MIL-H-5606**

Item	Part Number	Description	Qty
2 & 3 .....	K-3796 .....	Kit, Seal .....	1
1, 2 & 3 .....	K-3492 .....	Kit, Replacement Filter Element.....	1

10.5 Filters continued on following page.

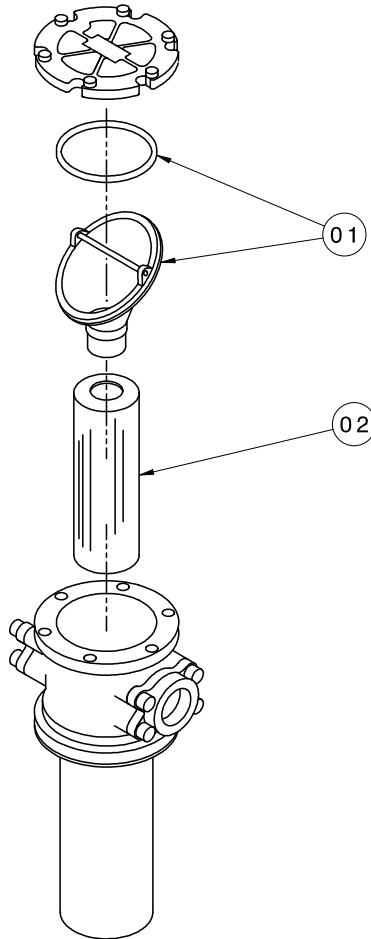


**Models: 5410  
Hydraulic Power Unit**

10.5 FILTERS (*continued*)

**10.5.2 Return Filter**

Replace the return filter element at the same time the pressure filter element is being replaced.



**FIGURE 10.5.2 – Return Filter**

**PARTS LIST**

**Fluid Type: MIL-H-5606**

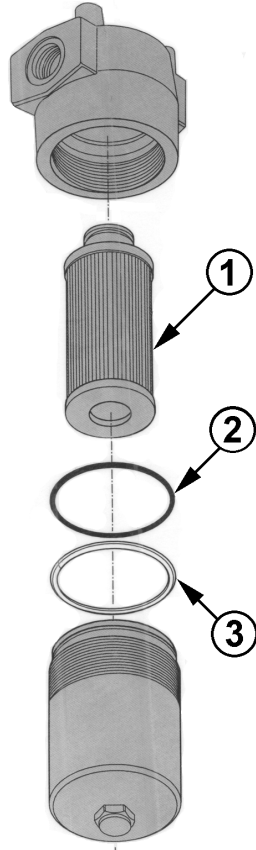
<b>Item</b>	<b>Part Number</b>	<b>Description</b>	<b>Qty</b>
1 .....	HC-2000-350 .....	O-ring.....	2
1 & 2 .....	K-3493 .....	Kit, Replacement Filter Element.....	1

**Models: 5410  
Hydraulic Power Unit**

10.5 FILTERS *(continued)*

**10.5.3 Hand Pump (Option M) Filter**

Replacement of the hand pump filter element is dictated by frequency of use and the cleanliness of the fluid, along with the environment to which the HPU is exposed. Changing the hand pump filter element at the same time as the pressure filter element will ensure a regular maintenance schedule.



**FIGURE 10.5.3 – Hand Pump (Option M) Filter**

**PARTS LIST**

**Fluid Type: MIL-H-5606**

Item	Part Number	Description	Qty
2 & 3 .....	K-3796 .....	Kit, Seal .....	1
1, 2 & 3 .....	K-3751 .....	Kit, Replacement Filter Element.....	1

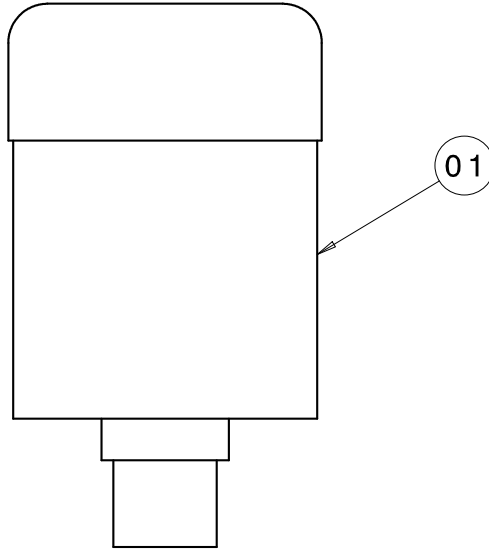
10.5 Filters continued on following page.

**Models: 5410  
Hydraulic Power Unit**

10.5 FILTERS (*continued*)

**10.5.4 Desiccant Air Filter**

Replace the desiccant/air filter whenever the material inside the element is pink or reddish in color (see Element Label for details).



**FIGURE 10.5.4 – Desiccant Air Filter**

**PARTS LIST**

<b>Item</b>	<b>Part Number</b>	<b>Description</b>	<b>Qty</b>
1.....	HC-1763 .....	Filter Element .....	1

**Models: 5410  
Hydraulic Power Unit**

**10.0 MAINTENANCE** *(continued)*

10.6 HYDRAULIC HOSES

Hoses used on the HPU must be periodically inspected for damage, blisters, leaks, or hose end problems. Any damaged or defective hose should be replaced as soon as possible.

Hose Location		
Item	From	To
1	Selector Valve	Pump Inlet
2	Pump Outlet	Flowmeter
3	Control Manifold	Pressure Filter
4	Control Manifold	Pressure Gauge
5	Case Drain	Cooler (Rear)
6	Cooler (Front)	Return Manifold
7	Control Manifold	Return Manifold
8	Return Filter	Selector Valve (Top)
9	Return Pressure Relief Valve	Reservoir

**FIGURE 10.6 – Hydraulic Hoses**

**PARTS LIST**

**Fluid Type: MIL-H-5606**

Item	Part Number	Description	Qty
1	TF-1039-11*12.8	Assembly, Hose #20	1
2	TF-1038-10*37.0	Assembly, Hose #12	1
3	TF-1038-33*32.8	Assembly, Hose #12	1
4	TF-1038-16*23.0	Assembly, Hose #4	1
5	TF-1039-16*38.3	Assembly, Hose #12	1
6	TF-1039-15*16.3	Assembly, Hose #12	1
7	TF-1039-01*31.3	Assembly, Hose #12	1
8	TF-1039-11*35.3	Assembly, Hose #20	1
9	TF-1038-08*17.5	Assembly, Hose #8	1
Not Shown	TF-1038-10*300	External Pressure Hose #12	1
Not Shown	TF-1039-02*300	External Return Hose #16	1

10.0 Maintenance continued on following page.

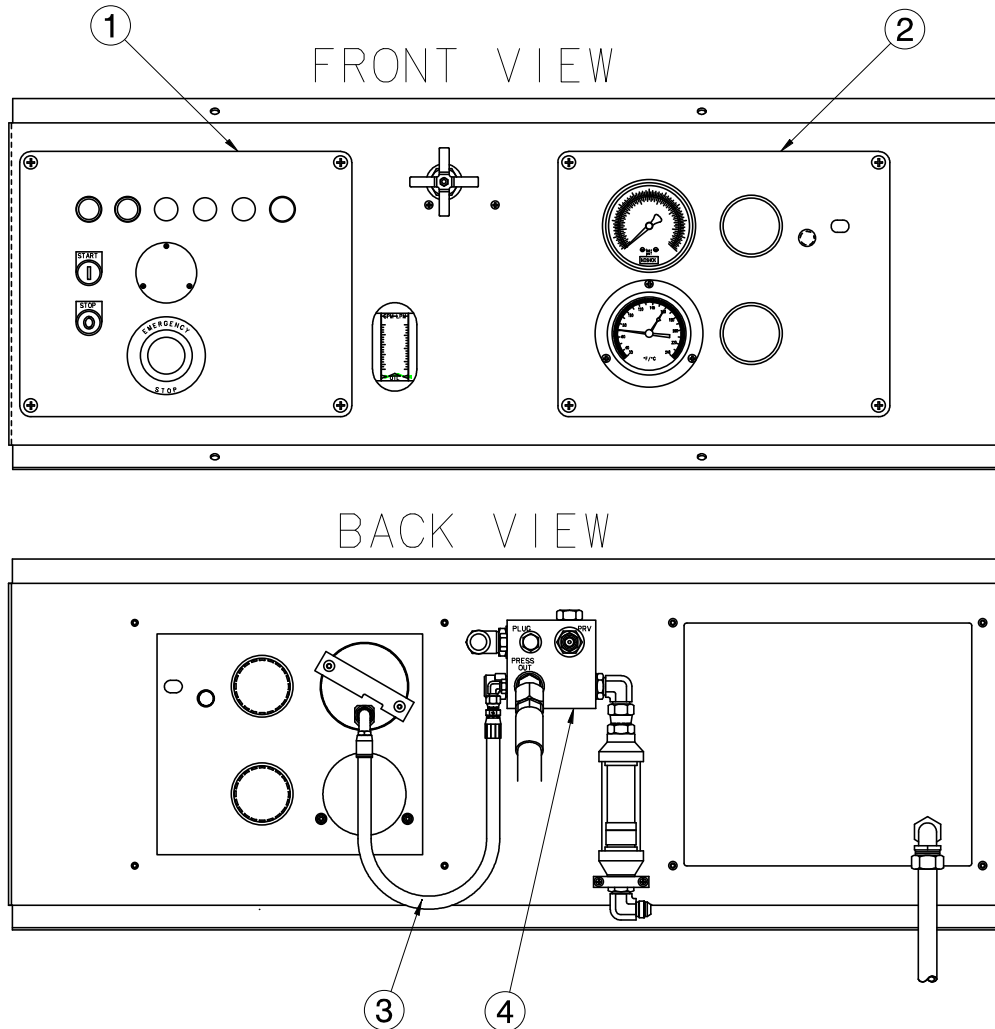


**Models: 5410  
Hydraulic Power Unit**

**10.0 MAINTENANCE** (continued)

**10.7 INSTRUMENT PANEL**

Refer to Section **10.6 Hydraulic Hoses** concerning hose inspection for general maintenance on Hose Assembly (**Item 3 in Figure 10.7**).



**FIGURE 10.7 – Instrument Panel**

**PARTS LIST**

**Fluid Type: MIL-H-5606**

<b>Item</b>	<b>Part Number</b>	<b>Description</b>	<b>Qty</b>
1.....	See Page 35.....	Electric Panel .....	1
2.....	See Page 36.....	Hydraulic Panel .....	1
3.....	See Page 33.....	Assembly, Hose #4 .....	1
4.....	See Page 37.....	Control Block/Flowmeter .....	1

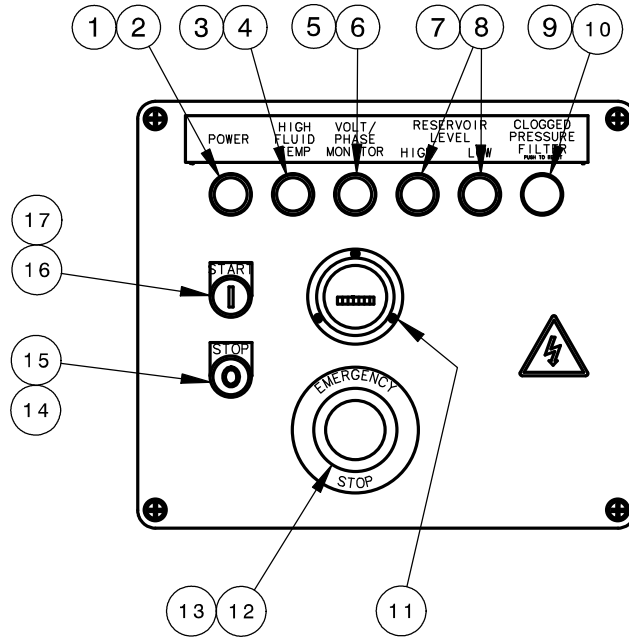


**Models: 5410  
Hydraulic Power Unit**

10.7 INSTRUMENT PANEL (continued)

**10.7.1 Electric Panel**

The Electric Panel does not require regular general maintenance.



**FIGURE 10.7.1 – Electric Panel**

**PARTS LIST**

Item	Component	Part Number	Description	Qty
1	Standard	EC-1945-01	Light, Diffused Pilot	1
2	Standard	EC-1951-MN5G	Power, Module w/Latch	1
3	Option	EC-1945-03	Light, Diffused Pilot	1
4	Option	EC-1951-MN5Y	Power, Module w/Latch	1
5	Option	EC-1945-03	Light, Diffused Pilot	1
6	Option	EC-1951-MN5Y	Power, Module w/Latch	1
7	Option	EC-1945-04	Light, Diffused Pilot	2
8	Option	EC-1951-MN5B	Power, Module w/Latch	2
9	Option	EC-1952	Push Button, Illuminated/Flush	1
10	Option	EC-1944	Power, Module w/Contach/Latch	1
11	Option	EC-1577	Hour Meter (50 Hz Operation)	1
11	Option	EC-1578	Hour Meter (60 Hz Operation)	1
12	Standard	EC-1948	Switch, Emergency Stop	1
13	Standard	EC-1946-MX02	Contact Block w/Latch	1
14	Standard	EC-1953-ME205	Push Button, Non-Illuminated	1
15	Standard	EC-1946-MX01	Contact Block w/Latch	1
16	Standard	EC-1953-MF306	Push Button, Non-Illuminated	1
17	Standard	EC-1946-MX10	Contact Block w/Latch	1

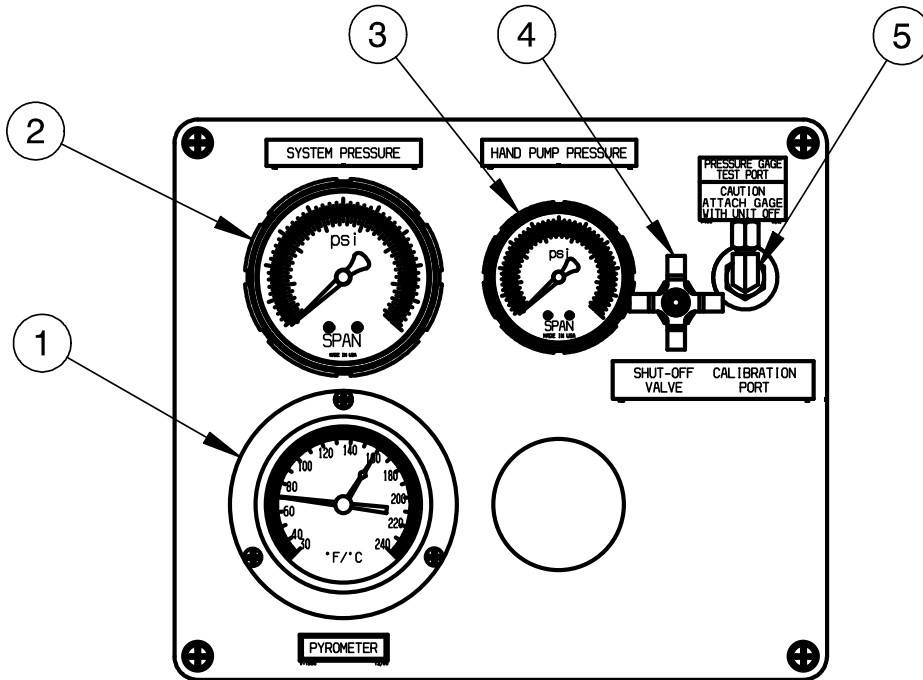
10.7 Instrument Panel continued on following page.

**Models: 5410  
Hydraulic Power Unit**

10.7 INSTRUMENT PANEL (continued)

**10.7.2 Hydraulic Panel**

Annual calibration of instrumentation is recommended. See Section **12.0 – Calibration of Instrumentation** for details of calibration.



**FIGURE 10.7.2 – Hydraulic Panel**

**PARTS LIST**

**Fluid Type: MIL-H-5606**

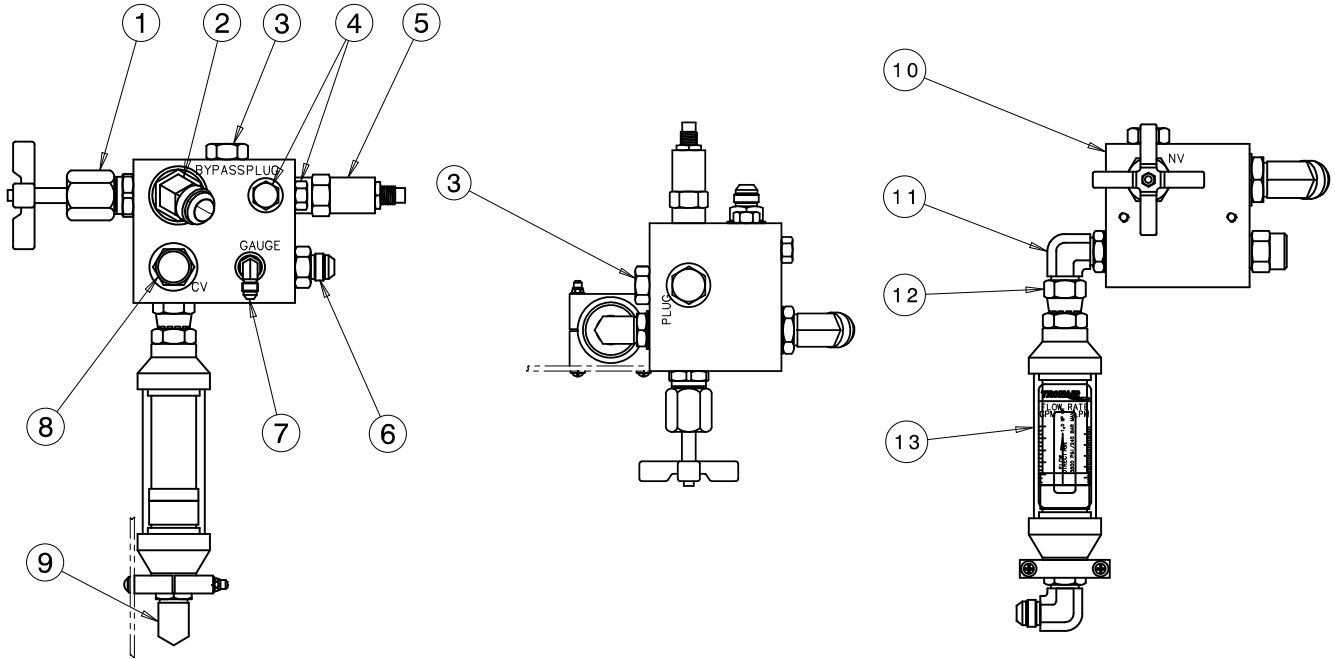
<b>Item</b>	<b>Part Number</b>	<b>Description</b>	<b>Qty</b>
1.....	HC-1769-01 .....	Pyrometer (Optional) .....	1
2.....	HC-2144 .....	System Pressure Gauge .....	1
3.....	HC-2146 .....	Pressure Gauge (Hand Pump Option Only).....	1
4.....	HC-1900-01 .....	Shut Off Needle Valve (Calibration Port Option Only).....	1
5.....	See Section 10.14.9 .....	Calibration Port (Optional).....	1

**Models: 5410  
Hydraulic Power Unit**

10.7 INSTRUMENT PANEL (continued)

**10.7.3 Control Block/Flowmeter**

The Control Block components do not require regular general maintenance.



**FIGURE 10.7.3 – Control Block/Flowmeter**

**PARTS LIST**

**Fluid Type: MIL-H-5606**

<b>Item</b>	<b>Part Number</b>	<b>Description</b>	<b>Qty</b>
1	HC-1254-04	Needle Valve	1
2	N-2042-09-S-B	Elbow, 45° Straight Thread (#12)	1
3	N-2066-10-S-B	O-ring Hex Plug (#10)	2
4	N-2066-06-S-B	O-ring Hex Plug (#6)	2
5	HC-2127	Pressure Relief Valve	1
6	N-2007-20-S-B	Connector, Straight Thread (#12-10)	1
7	N-2001-03-S-B	Elbow, Straight Thread (#4)	1
8	HC-1673	Check Valve	1
9	N-2001-20-S-B	Elbow, Straight Thread (#12-10)	1
10	J-3399	Pressure Manifold	1
11	N-2001-15-S-B	Elbow, Straight Thread (#10)	1
12	N-2036-07-S-B	Swivel, 37° Female (#10)	1
13	HC-2129	Flowmeter, 15 gpm/3,500 psi	1
	HC-2129-A1	Flowmeter (Calibrated)	1

10.7.3 Control Block/Flowmeter continued on following page.

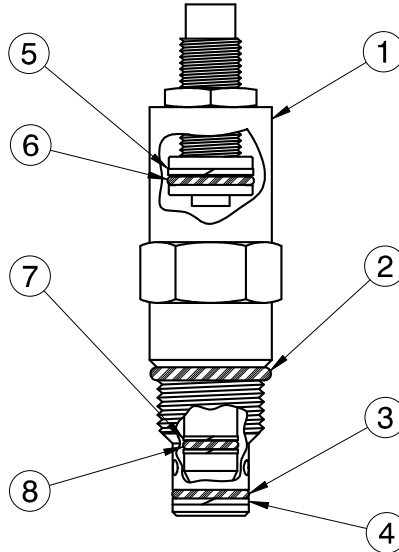


**Models: 5410  
Hydraulic Power Unit**

**10.7.3 Control Block/Flowmeter (continued)**

**10.7.3.a System Pressure Relief Valve**

The System Pressure Relief Valve does not require regular general maintenance. It is possible however, for a contaminant to hold the relief valve in a partially open condition. If service is required, the new or repaired relief valve must be reset to 3,750 psig.



**FIGURE 10.7.3.a – System Pressure Relief Valve**

**PARTS LIST**

**Fluid Type: MIL-H-5606**

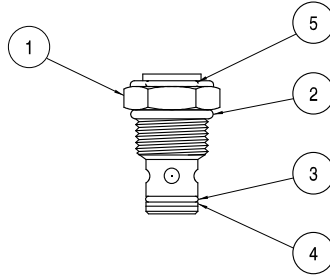
<b>Item</b>	<b>Part Number</b>	<b>Description</b>	<b>Qty</b>
1.....	HC-2127 .....	Pressure Relief Valve ( <i>Not Set</i> ) .....	1
2.....	HC-2010-910 .....	O-ring, Series 3 .....	1
3.....	HC-2000-014 .....	O-ring, Series 2 .....	1
4.....	HC-2020-014 .....	Backup Ring ( <i>Teflon</i> ).....	1
5.....	HC-2020-015 .....	Backup Ring ( <i>Teflon</i> ).....	1
6.....	HC-2000-015 .....	O-ring, Series 2 .....	1
7.....	HC-2020-011 .....	Backup Ring ( <i>Teflon</i> ).....	2
8.....	HC-2000-011 .....	O-ring, Series 2 .....	1

**Models: 5410  
Hydraulic Power Unit**

**10.7.3 Control Block/Flowmeter (continued)**

**10.7.3.b Check Valve**

The Check Valve does not require regular general maintenance.



**FIGURE 10.7.3.b – Check Valve**

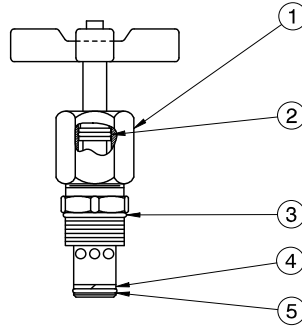
**PARTS LIST**

**Fluid Type: MIL-H-5606**

<b>Item</b>	<b>Part Number</b>	<b>Description</b>	<b>Qty</b>
1.....	HC-1673 .....	Check Valve .....	1
2.....	HC-2010-910 .....	O-ring, Series 3 .....	1
3.....	HC-2000-014 .....	O-ring, Series 2 .....	1
4.....	HC-2020-014 .....	Backup Ring .....	1
5.....	HC-2010-905 .....	O-ring, Series 3 .....	1

**10.7.3.c Bypass Valve**

The Bypass Valve does not require regular general maintenance.



**FIGURE 10.7.3.c – Bypass Valve**

**PARTS LIST**

**Fluid Type: MIL-H-5606**

<b>Item</b>	<b>Part Number</b>	<b>Description</b>	<b>Qty</b>
1.....	HC-1254-04 .....	Needle Valve .....	1
2.....	HC-2000-111 .....	O-ring.....	1
3.....	HC-2010-912 .....	O-ring.....	1
4.....	HC-2020-114 .....	Backup Ring .....	1
5.....	HC-2000-114 .....	O-ring.....	1

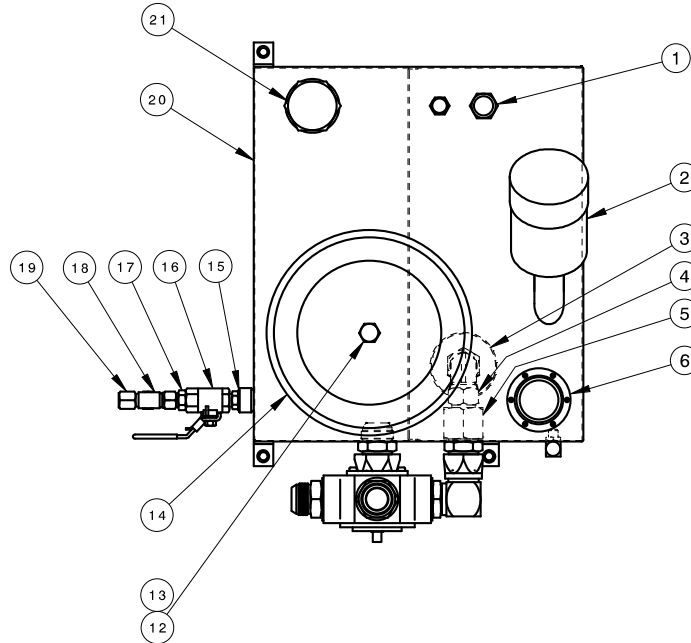
10.0 Maintenance continued on following page.

**Models: 5410  
Hydraulic Power Unit**

**10.0 MAINTENANCE** *(continued)*

**10.8 RESERVOIR ASSEMBLY**

Replace the desiccant air filter whenever the material inside the element is pink or reddish in color (See Element label for details). The Reservoir Assembly does not require regular general maintenance. If periodic inspections for silt are desired, be certain to thoroughly clean the dome cover and surrounding area before removing the dome cover. The Selector Valve (Item 9) is not field serviceable.



**FIGURE 10.8 – Reservoir Assembly**

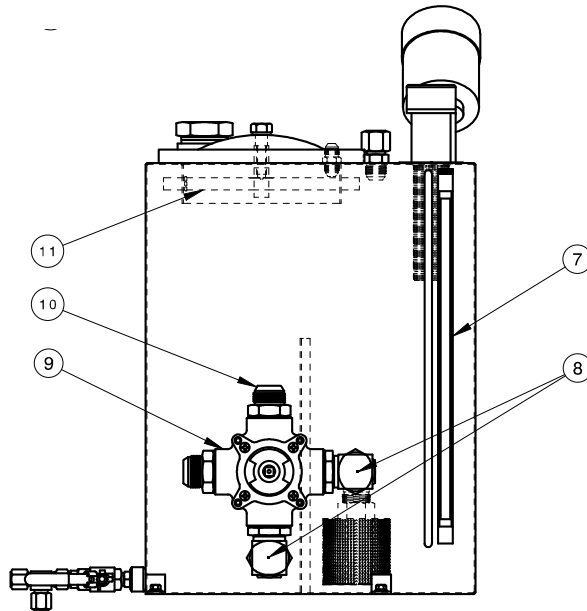
**PARTS LIST**

**Fluid Type: MIL-H-5606**

<b>Item</b>	<b>Part Number</b>	<b>Description</b>	<b>Qty</b>
1	N-2008-08-S	Cap, #12	1
2	HC-1763	Desiccant Filter	1
3	HC-1397-02	Diffuser, 1" NPT	1
4	N-2035-08-S	Elbow, Swivel Male, #16 JIC x 1" NPT	1
5	N-2055-25-S	Tube Reducer, #20 x #16 JIC	1
6	HC-2193-06	Filler, Non-vented	1
12	H-1735-02	Washer, Nylon	1
13	G-1100-110016	Bolt, Hex Head, Grade 5, 5/8-11 x 1 3/4" long	1
14	H-1740	Cover Assembly	1
15	N/A	N/A	N/A
16	HC-1761	Ball Valve, SAE #8 Lockable	1
17	N-2007-11-S-B	Connector, Straight Thread #8 SAE x #8 JIC	1
18	N-2016-06-S	Tee, Swivel Run, #8 JIC	1
19	N-2008-06-S	Cap, #8	3
20	Z-5525	Reservoir, 30 gallon (113.4 lt)	1
21	N-2206-09-S	Plug, Hex Head, 2" NPT	1

**Models: 5410  
Hydraulic Power Unit**

10.8 RESERVOIR ASSEMBLY (continued)



**FIGURE 10.8 – Reservoir Assembly**

**PARTS LIST**

**Fluid Type: MIL-H-5606**

<b>Item</b>	<b>Part Number</b>	<b>Description</b>	<b>Qty</b>
7.....	HC-1382-18 .....	Sight Gauge .....	1
8.....	N-2049-20-S-B .....	Elbow, 90° Swivel, #20.....	2
9.....	HC-1764-01 .....	Selector Valve, #20 SAE .....	1
10.....	N-2007-28-S-B .....	Connector, Straight Thread #20 SAE.....	2
11.....	Z-2394-01 .....	Clamp Assembly .....	1

10.0 Maintenance continued on the following page.

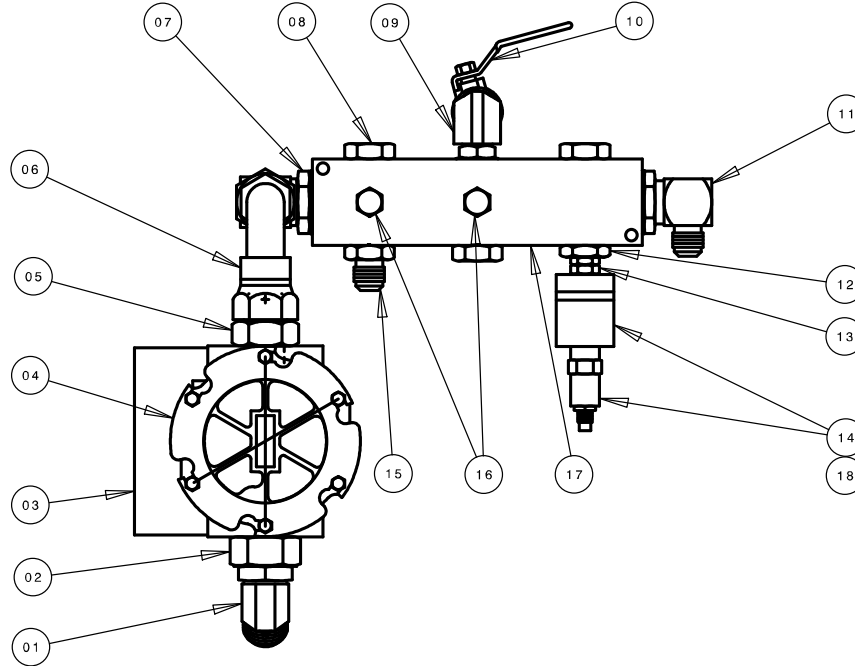
**Models: 5410  
Hydraulic Power Unit**

**10.0 MAINTENANCE** (continued)

**10.9 RETURN MANIFOLD ASSEMBLY**

Refer to Section **10.5.2 – Return Filter** for information on changing filter element.

**NOTE: DO NOT attempt to adjust the Return System Pressure Relief Valve. See Section 10.9.1 – Return System Pressure Relief Valve for details.**



**FIGURE 10.9 – Return Manifold Assembly**

**PARTS LIST**

**Fluid Type: MIL-H-5606**

Item	Part Number	Description	Qty
1	N-2042-13-S-B	Elbow, 45° Straight Thread #20 JIC x #20 SAE	1
2	N-2463-25-S-B	Fitting, Reducer/Expander 24/20 SAE	1
3	H-1581	Bracket, Filter	1
4	HC-1906-01	Filter, Return	1
5	N-2007-30-S-B	Connector, Straight Thread, #20 JIC x #24 SAE	1
6	N-2063-04	Elbow, Bent Swivel Nut	1
7	N-2049-20-S-B	Elbow, 90° Swivel, #20 SAE x #20 JIC	1
8	N-2053-10-S-B	Plug, Hex Head, #16 O-ring	3
9	N-2638-06-S-B	Elbow, 90° #16 SAE x #16 SAE	1
10	HC-1766-05	Valve, Ball	1
11	N-2001-37-S-B	Elbow, 90° #12 JIC x #20 SAE	1
12	N-2463-16-S-B	Fitting, Reducer/Expander 16/8 SAE	1
13	N-2464-06-S-B	Union, Straight Thread #8 x #8 SAE	1
14	HC-2199	Valve, Pressure Relief (Pre-Set)	1
15	N-2007-21-S-B	Connector, Straight Thread, #12 JIC x #16 SAE	1
16	N-2053-06-S-B	Plug, Hex Head, #8 O-ring	2
17	HC-2205	Manifold, Return	1
18	N-2001-11-S-B	Elbow, Straight Thread #8 SAE x #8 JIC	1

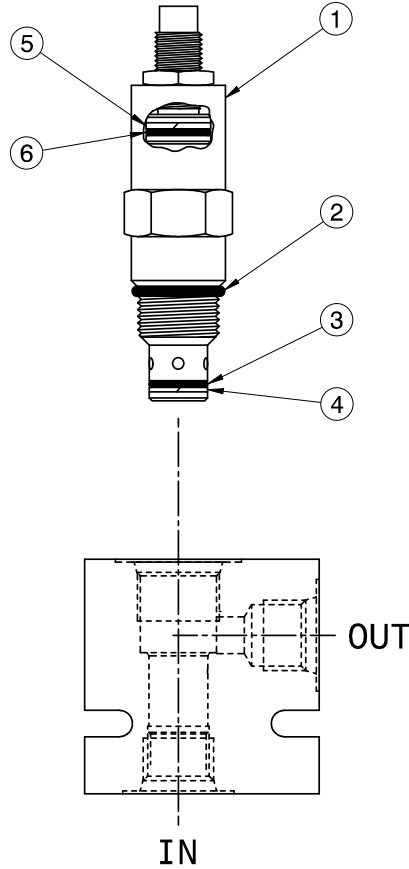


**Models: 5410  
Hydraulic Power Unit**

10.9 RETURN MANIFOLD ASSEMBLY (continued)

**10.9.1 Return System Pressure Relief Valve**

The Return System Pressure Relief Valve can be purchased as a preset assembly. If the relief valve is serviced by the end user, the valve must be set to crack at 150+/-7 psig **before** being re-installed on the HPU.



**FIGURE 10.9.1 – Return System Pressure Relief Valve**

**PARTS LIST**

**Fluid Type: MIL-H-5606**

<b>Item</b>	<b>Part Number</b>	<b>Description</b>	<b>Qty</b>
1.....	HC-2199 .....	Pressure Relief Valve (includes Valve Block).....	1
2.....	HC-2010-910 .....	O-ring, Series 3 .....	1
3.....	HC-2000-014 .....	O-ring, Series 2 .....	1
4.....	HC-2020-014 .....	Backup Ring (Teflon).....	1
5.....	HC-2020-015 .....	Backup Ring (Teflon).....	1
6.....	HC-2000-015 .....	O-ring, Series 2 .....	1

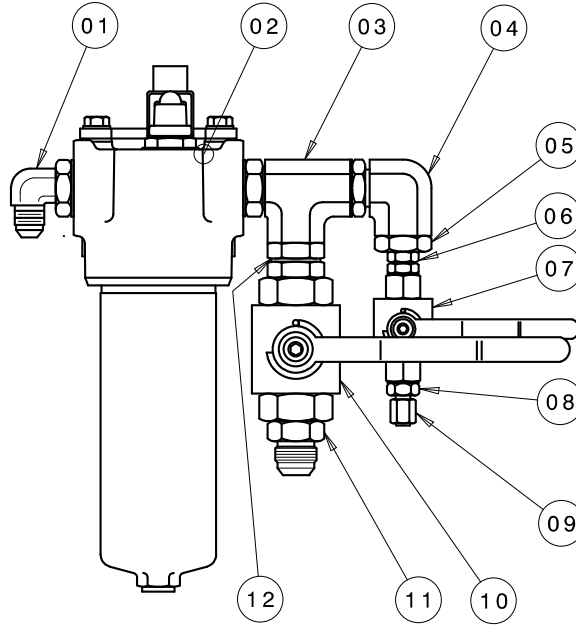
10.0 Maintenance continued on following page.

**Models: 5410  
Hydraulic Power Unit**

**10.0 MAINTENANCE** (continued)

10.10 PRESSURE FILTER ASSEMBLY (Single System)

Refer to Section 10.5.1 for information on changing filter element.



**FIGURE 10.10 – Pressure Filter Assembly**

**PARTS LIST**

**Fluid Type: MIL-H-5606**

Item	Part Number	Description	Qty
1	N-2001-18-S-B	Elbow, Straight Thread #8-12	1
2	HC-1907-01	Filter, Pressure	1
3	N-2660-05-S-B	Tee, Straight Thread #12	1
4	N-2661-05-S-B	Elbow, Straight Thread #12	1
5	N-2463-35-S-B	Union, Straight Thread #12 Male x #6 Female	1
6	N-2464-05-S-B	Union, Male Straight Thread #6	1
7	HC-1768-02	Valve, Ball SAE #6	1
8	N-2007-05-S-B	Connector, Straight Thread #6 SAE x ¼ JIC	1
9	N-2008-03-S	Cap, #4 Female	1
10	HC-1768-04	Valve, Ball SAE #12	1
11	N-2007-18-S-B	Connector, Straight Thread #12	1
12	N-2464-08-S-B	Union, Male Straight Thread #12	1

Models: 5410  
Hydraulic Power Unit

10.0 MAINTENANCE (continued)

10.11 ELECTRICAL COMPONENTS

Regularly inspect the external power cord for nicks, cuts, abrasion, and fluid damage. Replace power cord if damage is found. See Section 11.0 – *Provision of Spares* for recommended spare fuses.

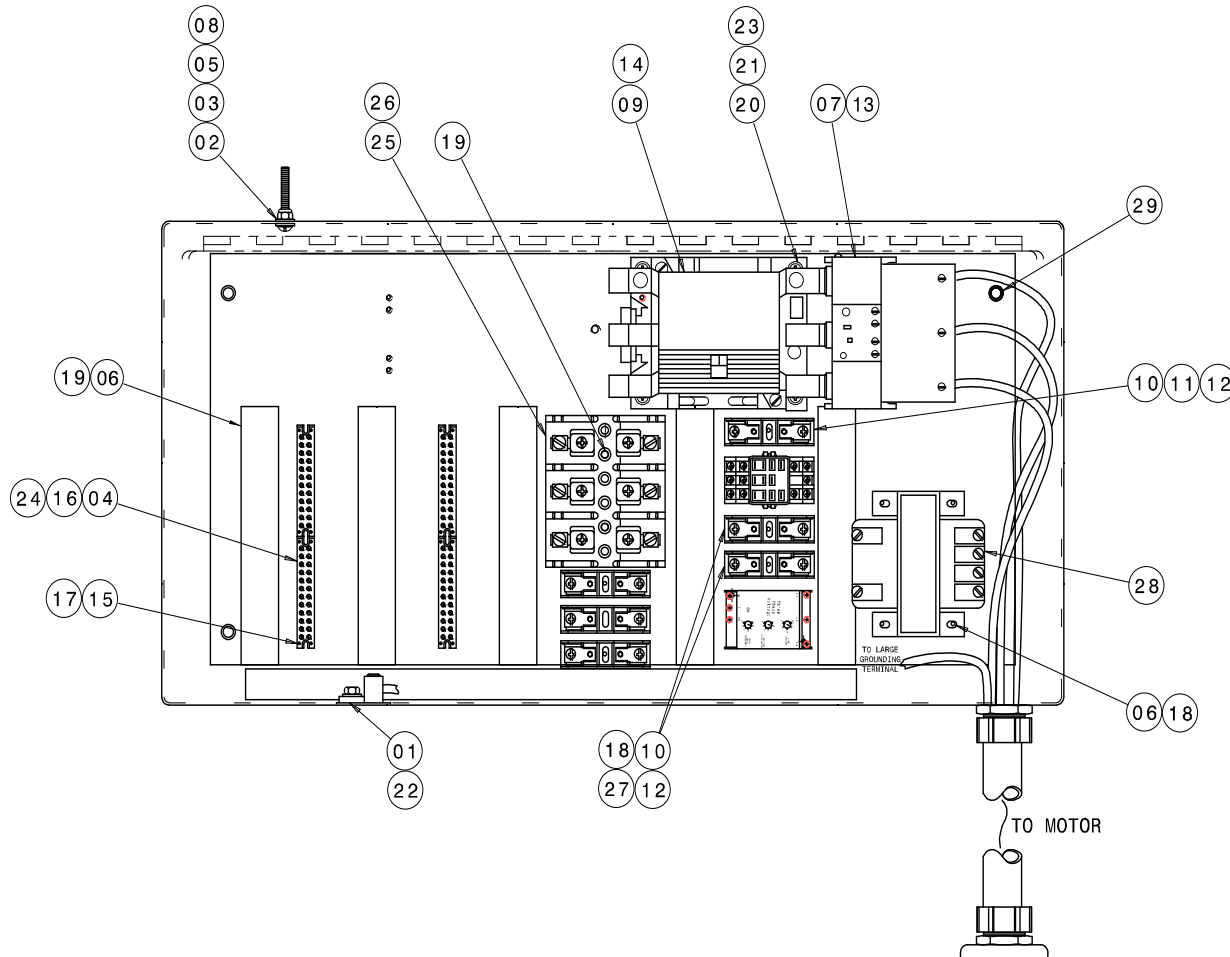


FIGURE 10.11 – Electrical Components

Set Item 07 to "Auto" and set "A2" to its corresponding full load amps. Wire per Electrical Schematic INS-1725 and wire diagram INS-1747.

10.11 Electrical Components continued on following page.

**Models: 5410  
Hydraulic Power Unit**

10.11 ELECTRICAL COMPONENTS (continued)

**PARTS LIST**

Item	60 Hz Applications					Description	Qty
	208	230	380	460	575		
1	G-1180-105006	G-1180-105006	G-1180-105006	G-1180-105006	G-1180-105006	Screw, HH TPG Type F ¼	1
2	G-1159-105516	G-1159-105516	G-1159-105516	G-1159-105516	G-1159-105516	Screw, RD HD CRS REC, ¼ - 28 x 1 ¾ LG	1
3	G-1250-1050N	G-1250-1050N	G-1250-1050N	G-1250-1050N	G-1250-1050N	Flatwasher, ¼ Narrow	2
4	EC-1784	EC-1784	EC-1784	EC-1784	EC-1784	Terminal, Direct Mount	4
5	G-1202-1055	G-1202-1055	G-1202-1055	G-1202-1055	G-1202-1055	Stopnut, Elastic ¼ - 28	1
6	G-1250-1030N	G-1250-1030N	G-1250-1030N	G-1250-1030N	G-1250-1030N	Flatwasher, #10 Narrow	14
7	EC-1920	EC-1525	EC-1525	EC-1589	EC-1589	Relay, Overload	1
8	EC-1180-24	EC-1180-24	EC-1180-24	EC-1180-24	EC-1180-24	Terminal, Ring Tongue ¼ Bolt Hole	1
9	EC-1922	EC-1587	EC-1587	EC-1586	EC-1586	Contact, IEC Motor	1
10	EC-1420	EC-1420	EC-1420	EC-1420	EC-1420	Fuse Block, Single Pole	3
11	EC-1542-04	EC-1542-04	EC-1542-04	EC-1542-04	EC-1542-04	Fuse, LP-CC-Low Peak	1
12	EC-1326-01	EC-1326-01	EC-1326-01	EC-1326-01	EC-1326-01	Disconnect, Female	6
13	EC-1924-02	N/A	N/A	N/A	N/A	Lug Set, Terminal	2
14	N/A	EC-1607	EC-1607	EC-1607	EC-1607	Contact, Auxiliary	1
15	G-1161-100012	G-1161-100012	G-1161-100012	G-1161-100012	G-1161-100012	Screw, PAN HD SLT, #4-40 x 1 ¼ Long	8
16	EC-1786	EC-1786	EC-1786	EC-1786	EC-1786	Sleeve, Insulation	1
17	G-1251-1000R	G-1251-1000R	G-1251-1000R	G-1251-1000R	G-1251-1000R	Lockwasher, #4 Regular	8
18	G-1157-103504	G-1157-103504	G-1157-103504	G-1157-103504	G-1157-103504	Screw, PAN HD, #10-32 x ½ Long	7
19	G-1150-103506	G-1150-103506	G-1150-103506	G-1150-103506	G-1150-103506	Screw, HH MAC, #10-32 x ¾ Long	14
20	G-1100-105512	G-1100-105512	G-1100-105512	G-1100-105512	G-1100-105512	Bolt, HH, ¼ - 28 x 1 ¼ Long	4
21	G-1251-1050R	G-1251-1050R	G-1251-1050R	G-1251-1050R	G-1251-1050R	Lockwasher, ¼ Regular	5
22	EC-1532-01	EC-1532-01	EC-1532-01	EC-1532-01	EC-1532-01	Lug, Ground	1
23	G-1159-103510	G-1159-103510	G-1159-103510	G-1159-103510	G-1159-103510	Screw, RD HD CRS REC, #10-32 x 1 ¾ LG	4
24	EC-1785	EC-1785	EC-1785	EC-1785	EC-1785	Jumper, Comb	1
25	EC-1674	EC-1674	EC-1674	EC-1674	EC-1674	Fuse Holder, Class J	1
26	EC-1557-02	EC-1557-02	EC-1557-01	EC-1557-01	EC-1557-01	Fuse, Class J	3



**Models: 5410  
Hydraulic Power Unit**

Item	60 Hz Applications					Description	Qty
	208	230	380	460	575		
27	EC-1726-09	EC-1726-08	EC-1726-05	EC-1726-04	EC-1726-04	Fuse, Class CC	2
28	EC-1804-02	EC-1676-02	EC-1804-02	EC-1676-02	EC-1804-02	Transformer, Control (100 W)	1
29	G-1202-1070	G-1202-1070	G-1202-1070	G-1202-1070	G-1202-1070	Stopnut, Elastic 3/8 – 16	4

10.11 Electrical Components continued on following page.



12/2011 – Rev. 12

**Models: 5410  
Hydraulic Power Unit**

10.11 ELECTRICAL COMPONENTS (continued)

**PARTS LIST**

Item	50 Hz Applications					Description	Qty
	200	220	380	415	440		
1	G-1180-105006	G-1180-105006	G-1180-105006	G-1180-105006	G-1180-105006	Screw, HH TPG Type F ¼	1
2	G-1159-105516	G-1159-105516	G-1159-105516	G-1159-105516	G-1159-105516	Screw, RD HD CRS REC, ¼ - 28 x 1 ¾ LG	1
3	G-1250-1050N	G-1250-1050N	G-1250-1050N	G-1250-1050N	G-1250-1050N	Flatwasher, ¼ Narrow	2
4	EC-1784	EC-1784	EC-1784	EC-1784	EC-1784	Terminal, Direct Mount	4
5	G-1202-1055	G-1202-1055	G-1202-1055	G-1202-1055	G-1202-1055	Stopnut, Elastic ¼ - 28	1
6	G-1250-1030N	G-1250-1030N	G-1250-1030N	G-1250-1030N	G-1250-1030N	Flatwasher, #10 Narrow	14
7	EC-1920	EC-1525	EC-1589	EC-1589	EC-1589	Relay, Overload	1
8	EC-1180-24	EC-1180-24	EC-1180-24	EC-1180-24	EC-1180-24	Terminal, Ring Tongue ¼ Bolt Hole	1
9	EC-1922	EC-1587	EC-1586	EC-1586	EC-1586	Contact, IEC Motor	1
10	EC-1420	EC-1420	EC-1420	EC-1420	EC-1420	Fuse Block, Single Pole	3
11	EC-1542-04	EC-1542-04	EC-1542-04	EC-1542-04	EC-1542-04	Fuse, LP-CC-Low Peak	1
12	EC-1326-01	EC-1326-01	EC-1326-01	EC-1326-01	EC-1326-01	Disconnect, Female	6
13	EC-1924-02	N/A	N/A	N/A	N/A	Lug Set, Terminal	2
14	N/A	EC-1607	EC-1607	EC-1607	EC-1607	Contact, Auxiliary	1
15	G-1161-100012	G-1161-100012	G-1161-100012	G-1161-100012	G-1161-100012	Screw, PAN HD SLT, #4-40 x 1 ¼ Long	8
16	EC-1786	EC-1786	EC-1786	EC-1786	EC-1786	Insulation Sleeve	1
17	G-1251-1000R	G-1251-1000R	G-1251-1000R	G-1251-1000R	G-1251-1000R	Lockwasher, #4 Regular	8
18	G-1157-103504	G-1157-103504	G-1157-103504	G-1157-103504	G-1157-103504	Screw, PAN HD, #10-32 x ½ Long	7
19	G-1150-103506	G-1150-103506	G-1150-103506	G-1150-103506	G-1150-103506	Screw, HH MAC, #10-32 x ¾ Long	14
20	G-1100-105512	G-1100-105512	G-1100-105512	G-1100-105512	G-1100-105512	Bolt, HH, ¼ - 28 x 1 ¼ Long	4
21	G-1251-1050R	G-1251-1050R	G-1251-1050R	G-1251-1050R	G-1251-1050R	Lockwasher, ¼ Regular	5
22	EC-1532-01	EC-1532-01	EC-1532-01	EC-1532-01	EC-1532-01	Lug, Ground	1
23	G-1159-103510	G-1159-103510	G-1159-103510	G-1159-103510	G-1159-103510	Screw, RD HD CRS REC, #10-32 x 1 ¾ LG	4
24	EC-1785	EC-1785	EC-1785	EC-1785	EC-1785	Comb Jumper	1
25	EC-1674	EC-1674	EC-1674	EC-1674	EC-1674	Fuse Holder, Class J	1
26	EC-1557-04	EC-1557-04	EC-1557-01	EC-1557-01	EC-1557-01	Fuse, Class J	3



**Models: 5410  
Hydraulic Power Unit**

Item	50 Hz Applications					Description	Qty
	200	220	380	415	440		
27	EC-1726-10	EC-1726-09	EC-1726-05	EC-1726-05	EC-1726-04	Fuse, Class CC	2
28	EC-1804-02	EC-1804-02	EC-1804-02	EC-1804-02	EC-1804-02	Transformer, Control (100 W)	1
29	G-1202-1070	G-1202-1070	G-1202-1070	G-1202-1070	G-1202-1070	Stopnut, Elastic 3/8 – 16	4

10.11 Electrical Components continued on following page.



12/2011 – Rev. 12

**Models: 5410  
Hydraulic Power Unit**

This page left blank intentionally.

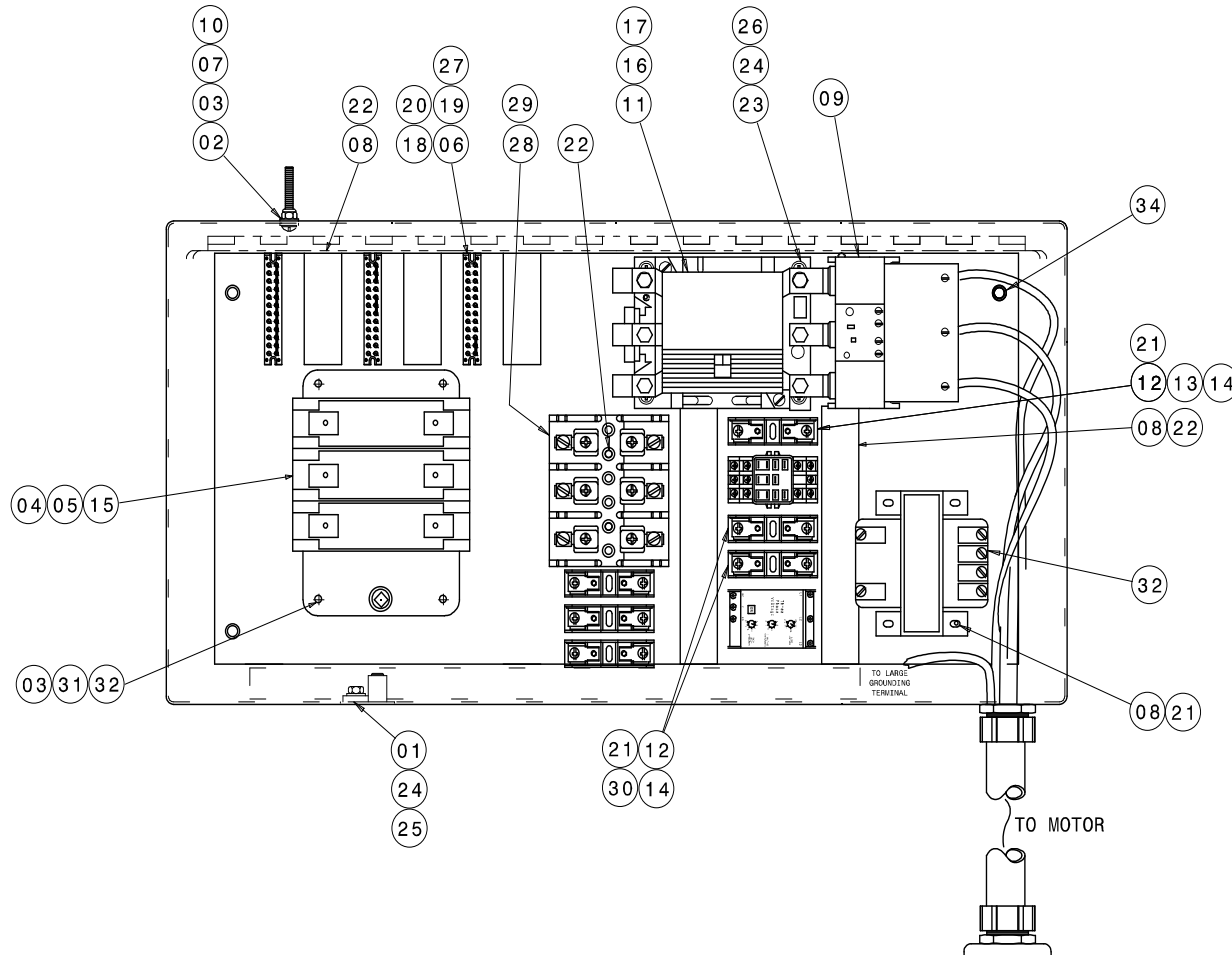


**Models: 5410  
Hydraulic Power Unit**

10.11 ELECTRICAL COMPONENTS *(continued)*

**10.11.1 Electrical Components With 100 ft. Input Cord Option**

Regularly inspect the external power cord for nicks, cuts, abrasion, and fluid damage. Replace power cord if damage is found. See Section 11.0 Provision of Spares for recommended spare fuses.



**FIGURE 10.11.1 – Electrical Components**

Set Item 09 to "Auto" and set "A2" to its corresponding full load amps. Wire per Appendix - Electrical Schematic INS-1725 and wire diagram INS-1747.

10.11.1 Electrical Components with 100 ft. input cord option continued on following page.

**Models: 5410  
Hydraulic Power Unit**

**10.11.1 Electrical Components With 100 ft. Input Cord Option (continued)**

**PARTS LIST**

ITEM	60 HZ Applications					Description	Qty.
	208	230	380	460	575		
1	G-1180-105006	G-1180-105006	G-1180-105006	G-1180-105006	G-1180-105006	Screw, HH TPG Type F ¼	1
2	G-1159-105516	G-1159-105516	G-1159-105516	G-1159-105516	G-1159-105516	Screw, RD HD CRS REC, ¼ - 28 x 1 ¾ LG	1
3	G-1250-1050N	G-1250-1050N	G-1250-1050N	G-1250-1050N	G-1250-1050N	Flatwasher, ¼ Narrow	6
4	EC-1890	EC-1890	EC-1894	EC-1894	EC-1894	Switch, Fused Disconnect	1
5	EC-1556-04	EC-1556-03	EC-1557-30	EC-1557-29	EC-1557-27	Fuse, Class J	3
6	EC-1784	EC-1784	EC-1784	EC-1784	EC-1784	Terminal, Direct Mount	3
7	G-1202-1055	G-1202-1055	G-1202-1055	G-1202-1055	G-1202-1055	Stopnut, Elastic ¼ - 28	1
8	G-1250-1030N	G-1250-1030N	G-1250-1030N	G-1250-1030N	G-1250-1030N	Flatwasher, #10 Narrow	14
9	EC-1920	EC-1525	EC-1525	EC-1589	EC-1589	Relay, Overload	1
10	EC-1180-24	EC-1180-24	EC-1180-24	EC-1180-24	EC-1180-24	Terminal, Ring Tongue ¼ Bolt Hole	1
11	EC-1922	EC-1587	EC-1587	EC-1586	EC-1586	Contact, IEC Motor	1
12	EC-1420	EC-1420	EC-1420	EC-1420	EC-1420	Fuse Block, Single Pole	3
13	EC-1542-04	EC-1542-04	EC-1542-04	EC-1542-04	EC-1542-04	Fuse, LP-CC-Low Peak	1
14	EC-1326-01	EC-1326-01	EC-1326-01	EC-1326-01	EC-1326-01	Disconnect, Female	6
15	EC-1898	EC-1898	N/A	N/A	N/A	Shield, Disconnect Switch	1
16	EC-1924-02	N/A	N/A	N/A	N/A	Lug Set, Terminal	2
17	N/A	EC-1607	EC-1607	EC-1607	EC-1607	Contact, Auxiliary	1
18	G-1161-100012	G-1161-100012	G-1161-100012	G-1161-100012	G-1161-100012	Screw, PAN HD SLT, #4-40 x 1 ¼ Long	8
19	EC-1786	EC-1786	EC-1786	EC-1786	EC-1786	Insulation Sleeve	1
20	G-1251-1000R	G-1251-1000R	G-1251-1000R	G-1251-1000R	G-1251-1000R	Lockwasher, #4 Regular	8
21	G-1157-103504	G-1157-103504	G-1157-103504	G-1157-103504	G-1157-103504	Screw, PAN HD, #10-32 x ½ Long	7
22	G-1150-103506	G-1150-103506	G-1150-103506	G-1150-103506	G-1150-103506	Screw, HH MAC, #10-32 x ¾ Long	14
23	G-1100-105512	G-1100-105512	G-1100-105512	G-1100-105512	G-1100-105512	Bolt, HH, ¼ - 28 x 1 ¼ Long	4
24	G-1251-1050R	G-1251-1050R	G-1251-1050R	G-1251-1050R	G-1251-1050R	Lockwasher, ¼ Regular	5
25	EC-1532-01	EC-1532-01	EC-1532-01	EC-1532-01	EC-1532-01	Lug, Ground	1
26	G-1159-103510	G-1159-103510	G-1159-103510	G-1159-103510	G-1159-103510	Screw, RD HD CRS REC, #10-32 x 1 ¾ LG	6



**Models: 5410  
Hydraulic Power Unit**

ITEM	60 HZ Applications					Description	Qty.
	208	230	380	460	575		
27	EC-1785	EC-1785	EC-1785	EC-1785	EC-1785	Comb Jumper	1
28	EC-1674	EC-1674	EC-1674	EC-1674	EC-1674	Fuse Holder, Class J	1
29	EC-1557-02	EC-1557-02	EC-1557-01	EC-1557-01	EC-1557-01	Fuse, Class J	3
30	EC-1726-09	EC-1726-08	EC-1726-05	EC-1726-04	EC-1726-04	Fuse, Class CC	2
31	G-1100-105506	G-1100-105506	G-1159-102006	G-1159-102006	G-1159-102006	Hardware, Mounting	4
32	EC-1804-02	EC-1676-02	EC-1804-02	EC-1676-02	EC-1804-02	Transformer, Control (100 W)	1
33	G-1250-1020N	G-1250-1020N	G-1250-1020N	G-1250-1020N	G-1250-1020N	Flatwasher, #8 Narrow	4
34	G-1202-1070	G-1202-1070	G-1202-1070	G-1202-1070	G-1202-1070	Stopnut, Elastic 3/8 – 16	4

10.11.1 Electrical components with 100 ft input cord option continued on following page.



12/2011 – Rev. 12

**Models: 5410  
Hydraulic Power Unit**

**10.11.1 Electrical Components With 100 ft. Input Cord Option (continued)**

**PARTS LIST**

ITEM	50 HZ Applications					Description	Qty.
	200	220	380	415	440		
1	G-1180-105006	G-1180-105006	G-1180-105006	G-1180-105006	G-1180-105006	Screw, HH TPG Type F ¼	1
2	G-1159-105516	G-1159-105516	G-1159-105516	G-1159-105516	G-1159-105516	Screw, RD HD CRS REC, ¼ - 28 x 1 ¾ Long	1
3	G-1250-1050N	G-1250-1050N	G-1250-1050N	G-1250-1050N	G-1250-1050N	Flatwasher, ¼ Narrow	6
4	EC-1890	EC-1890	EC-1894	EC-1894	EC-1894	Switch, Fused Disconnect	1
5	EC-1556-04	EC-1556-04	EC-1557-30	EC-1557-30	EC-1557-29	Fuse, Class J	3
6	EC-1784	EC-1784	EC-1784	EC-1784	EC-1784	Terminal, Direct Mount	3
7	G-1202-1055	G-1202-1055	G-1202-1055	G-1202-1055	G-1202-1055	Stopnut, Elastic ¼ - 28	1
8	G-1250-1030N	G-1250-1030N	G-1250-1030N	G-1250-1030N	G-1250-1030N	Flatwasher, #10 Narrow	14
9	EC-1920	EC-1525	EC-1589	EC-1589	EC-1589	Relay, Overload	1
10	EC-1180-24	EC-1180-24	EC-1180-24	EC-1180-24	EC-1180-24	Terminal, Ring Tongue ¼ Bolt Hole	1
11	EC-1922	EC-1587	EC-1586	EC-1586	EC-1586	Contactor, IEC Motor	1
12	EC-1420	EC-1420	EC-1420	EC-1420	EC-1420	Fuse Block, Single Pole	3
13	EC-1542-04	EC-1542-04	EC-1542-04	EC-1542-04	EC-1542-04	Fuse, LP-CC-Low Peak	1
14	EC-1326-01	EC-1326-01	EC-1326-01	EC-1326-01	EC-1326-01	Disconnect, Female	6
15	EC-1898	EC-1898	N/A	N/A	N/A	Shield, Disconnect Switch	1
16	EC-1924-02	N/A	N/A	N/A	N/A	Lug Set, Terminal	2
17	N/A	EC-1607	EC-1607	EC-1607	EC-1607	Contact, Auxiliary	1
18	G-1161-100012	G-1161-100012	G-1161-100012	G-1161-100012	G-1161-100012	Screw, PAN HD SLT, #4-40 x 1 ¼ Long	8
19	EC-1786	EC-1786	EC-1786	EC-1786	EC-1786	Insulation Sleeve	1
20	G-1251-1000R	G-1251-1000R	G-1251-1000R	G-1251-1000R	G-1251-1000R	Lockwasher, #4 Regular	8
21	G-1157-103504	G-1157-103504	G-1157-103504	G-1157-103504	G-1157-103504	Screw, PAN HD, #10-32 x ½ Long	7
22	G-1150-103506	G-1150-103506	G-1150-103506	G-1150-103506	G-1150-103506	Screw, HH MAC, #10-32 x ¾ Long	14
23	G-1100-105512	G-1100-105512	G-1100-105512	G-1100-105512	G-1100-105512	Bolt, HH, ¼ - 28 x 1 ¼ Long	4
24	G-1251-1050R	G-1251-1050R	G-1251-1050R	G-1251-1050R	G-1251-1050R	Lockwasher, ¼ Regular	5
25	EC-1532-01	EC-1532-01	EC-1532-01	EC-1532-01	EC-1532-01	Lug, Ground	1
26	G-1159-103510	G-1159-103510	G-1159-103510	G-1159-103510	G-1159-103510	Screw, RD HD CRS REC, #10-32 x 1 ¾ LG	6



**Models: 5410  
Hydraulic Power Unit**

ITEM	50 HZ Applications					Description	Qty.
	200	220	380	415	440		
27	EC-1785	EC-1785	EC-1785	EC-1785	EC-1785	Comb Jumper	1
28	EC-1674	EC-1674	EC-1674	EC-1674	EC-1674	Fuse Holder, Class J	1
29	EC-1557-04	EC-1557-04	EC-1557-01	EC-1557-01	EC-1557-01	Fuse, Class J	3
30	EC-1726-10	EC-1726-09	EC-1726-05	EC-1726-05	EC-1726-04	Fuse, Class CC	2
31	G-1100-105506	G-1100-105506	G-1159-102006	G-1159-102006	G-1159-102006	Hardware, Mounting	4
32	EC-1804-02	EC-1804-02	EC-1804-02	EC-1804-02	EC-1804-02	Transformer, Control (100 W)	1
33	G-1250-1020N	G-1250-1020N	G-1250-1020N	G-1250-1020N	G-1250-1020N	Flatwasher, #8 Narrow	4
34	G-1202-1070	G-1202-1070	G-1202-1070	G-1202-1070	G-1202-1070	Stopnut, Elastic 3/8 – 16	4

10.0 Maintenance continued on following page.



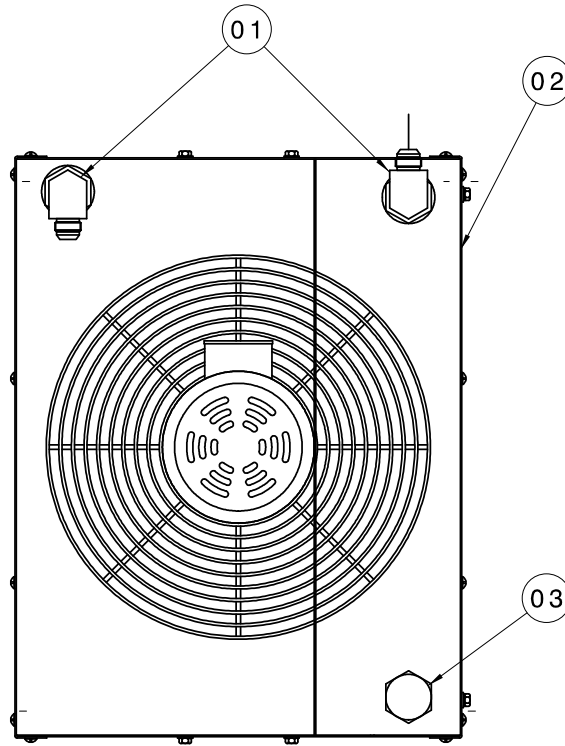
12/2011 – Rev. 12

**Model: 5410  
Hydraulic Power Unit**

**10.0 MAINTENANCE** *(continued)*

**10.12 HEAT EXCHANGER ASSEMBLY**

The Heat Exchanger Assembly does not require regular general maintenance.



**FIGURE 10.12 – Heat Exchanger Assembly**

**PARTS LIST**

**Fluid Type: MIL-H-5606**

Item	Part Number	Description	Qty
1 .....	N-2001-37-S-B .....	Elbow, Straight Thread (12-20) .....	1
2 .....	<i>Reference Table below</i> .....	Heat Exchanger .....	1
3 .....	N-2066-20-S-B .....	Plug, O-ring #20 .....	1

Voltage	Frequency	Part Number
208v	60 Hz	HC-2136-01
230v	60 Hz	HC-2136-01
380v	60 Hz	HC-2136-01
460v	60 Hz	HC-2136-01
575v	60 Hz	HC-2136-02
200v	50 Hz	HC-2136-01
220v	50 Hz	HC-2136-01
380v	50 Hz	HC-2136-01
415v	50 Hz	HC-2136-01
440v	50 Hz	HC-2136-01

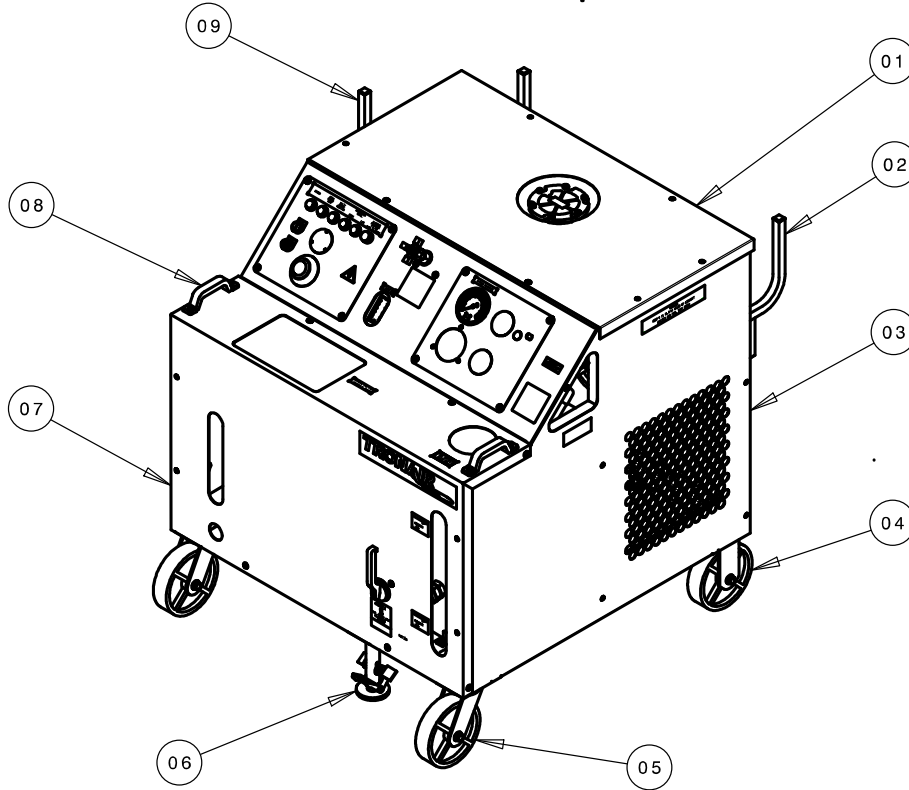


**Model: 5410  
Hydraulic Power Unit**

**10.0 MAINTENANCE** *(continued)*

**10.13 EXTERNAL COMPONENTS**

Keep HPU clean. Do not allow labels to become damaged; thusly illegible. Regularly inspect casters and floor locks to ensure safe working condition.



**FIGURE 10.13 – External Components**

**PARTS LIST**

**Fluid Type: MIL-H-5606**

Item	Part Number	Description	Qty
1.....	S-1889-01.....	Top Panel.....	1
2.....	Z-5772-01.....	Hanger.....	2
3.....	S-1887-01.....	Right Side Panel.....	1
4.....	U-1093.....	Rigid Caster.....	2
5.....	U-1094.....	Swivel Caster.....	2
6.....	H-1142.....	Floor Lock.....	1
7.....	S-1883-01.....	Front Panel.....	1
8.....	H-1780.....	Handle.....	1
9.....	Z-5549-01.....	Cord Hanger.....	1
<i>Not Shown</i> .....	<i>S-1884-01</i> .....	<i>Left Side Panel</i> .....	<i>1</i>
<i>Not Shown</i> .....	<i>Z-5775-01</i> .....	<i>Frame</i> .....	<i>1</i>

10.0 Maintenance continued on following page.

**Model: 5410  
Hydraulic Power Unit**

**10.0 MAINTENANCE** *(continued)*

10.14 ADDITIONAL FEATURES

**10.14.1 50 ft (15.24 m) Hoses** *(Option B)*

Refer to Section **10.6 Hydraulic Hoses** concerning hose inspection.

**PARTS LIST**

**Fluid Type: MIL-H-5606**

<b>Part Number</b>	<b>Description</b>	<b>Qty</b>
TF-1038-10*300.....	Pressure Hose, 25 ft (7.62 m) .....	1 per Option
TF-1039-02*300.....	Return Hose, 25 ft (7.62 m).....	1 per Option
N-2011-10-S .....	Union, #16 .....	1 per Option
N-2011-08-S .....	Union, #12 .....	1 per Option

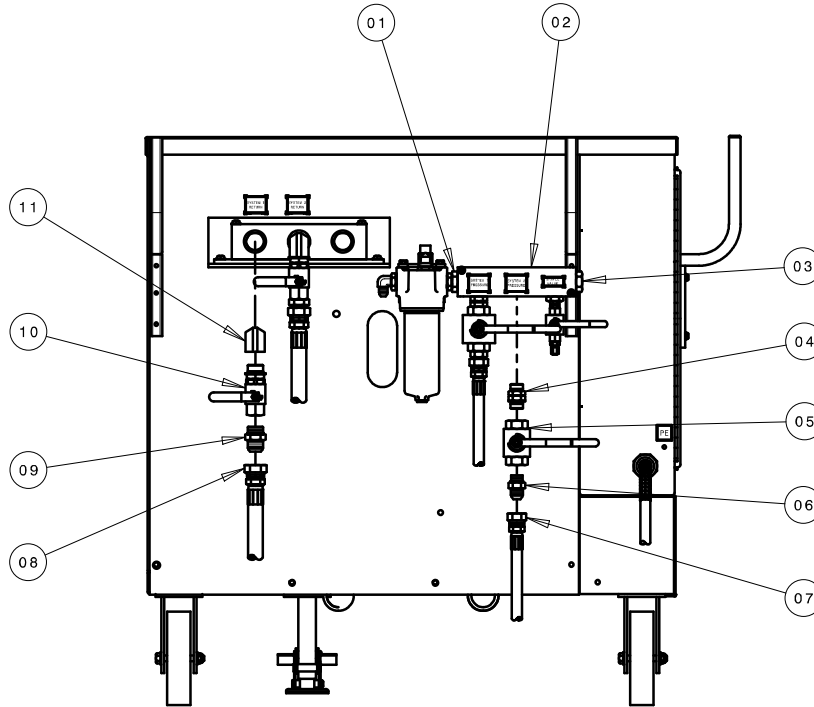


**Model: 5410  
Hydraulic Power Unit**

10.14 ADDITIONAL FEATURES *(continued)*

**10.14.2 Dual System (Option C)**

Refer to Section **10.6 Hydraulic Hoses** concerning hose inspection.



**FIGURE 10.14.2 – Dual System**

**PARTS LIST**

**Fluid Type: MIL-H-5606**

<b>Item</b>	<b>Part Number</b>	<b>Description</b>	<b>Qty</b>
1.....	N-2464-14-S-B .....	Union, Male Straight Thread #12 x #16 .....	1
2.....	HC-1908 .....	Pressure Manifold (Plated).....	1
3.....	N-2053-10-S-B .....	Plug, Male Straight Thread #16 .....	1
4.....	N-2464-08-S-B .....	Union, Male Straight Thread #12 .....	1
5.....	HC-1768-04 .....	Ball Valve .....	1
6.....	N-2007-18-S-B .....	Connector, Straight Thread #12.....	1
7.....	TF-1038-10*300 .....	Pressure Hose Assembly, #12.....	1
8.....	TF-1039-02*300 .....	Return Hose Assembly, #16.....	1
9.....	N-2007-24-S-B .....	Connector, Straight Thread #16.....	1
10.....	HC-1766-05 .....	Ball Valve, #16 SAE .....	1
11.....	N-2638-06-S-B .....	Elbow, 90° #16 M-SAE x #16 F-SAE .....	1

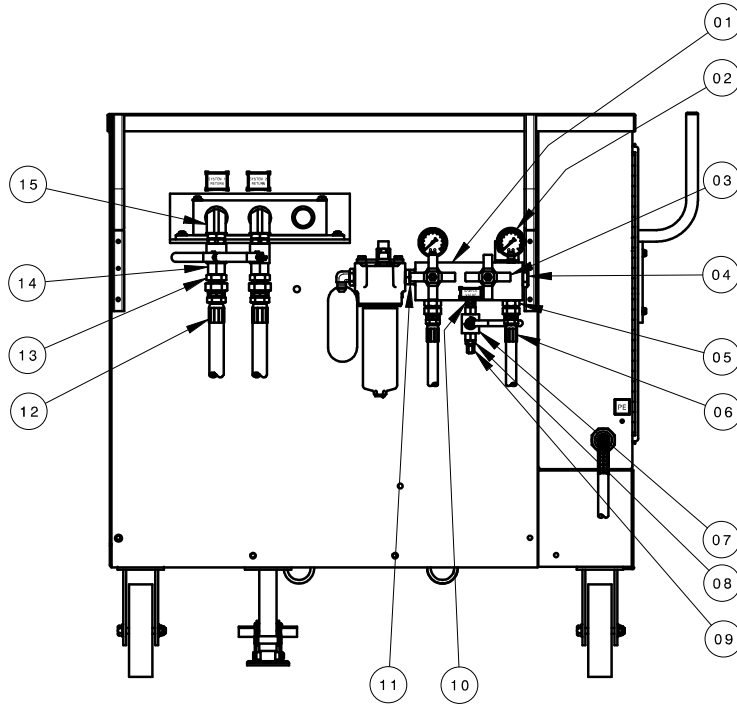
10.0 Maintenance continued on following page.

**Model: 5410  
Hydraulic Power Unit**

10.14 ADDITIONAL FEATURES *(continued)*

**10.14.3 Crossover Check (Option D)**

Refer to Section **10.6 Hydraulic Hoses** concerning hose inspection. Annual calibration of instrumentation is recommended. See Section **12.0 – Calibration of Instrumentation** for details of gauge calibration.



**FIGURE 10.14.3 – Crossover Check**

**PARTS LIST**

**Fluid Type: MIL-H-5606**

Item	Part Number	Description	Qty
1	J-3516	Crossover Check Manifold	1
2	HC-1257	Pressure Gauge	2
3	HC-1254-05	Cartridge Needle Valve	2
4	HC-1437	Check Valve	1
5	N-2007-18-S-B	Connector, Straight Thread	2
6	TF-1038-10*300	Pressure Hose Assembly	2
7	HC-1768-02	Ball Valve (#6)	1
8	N-2007-05-S-B	Connector, Straight Thread	1
9	N-2008-03-S	Cap, #4 Female	1
10	N-2464-05-S-B	Union, Straight Thread #6 SAE	1
11	N-2464-08-S-B	Union, Straight Thread #12 SAE	1
12	TF-1039-02*300	Return Hose Assembly	2
13	N-2007-24-S-B	Connector, Straight Thread	2
14	HC-1766-05	Ball Valve (#16)	2
15	N-2638-06-S-B	Elbow, 90° (#16 SAE)	2

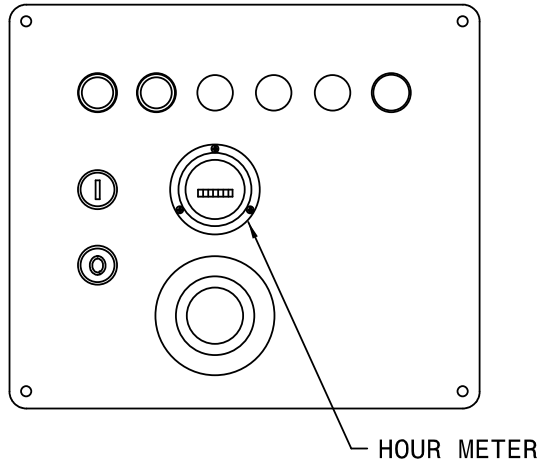
**Model: 5410  
Hydraulic Power Unit**

10.14 ADDITIONAL FEATURES *(continued)*

**10.14.4 Hour Meter (Options E and F)**

The Hour Meter does not require regular general maintenance.

**NOTE:** *Wire Hour Meter per Appendix – Electrical Schematic INS-1725. Reference Appendix – Wire Diagram INS-1747.*



**FIGURE 10.14.4 – Hour Meter**

**PARTS LIST**

<b>Part Number</b>	<b>Application</b>	<b>Description</b>	<b>Qty</b>
EC-1577.....	50 Hz Operation .....	Hour Meter .....	1
EC-1578.....	60 Hz Operation .....	Hour Meter .....	1

10.14 Additional Features continued on following page.

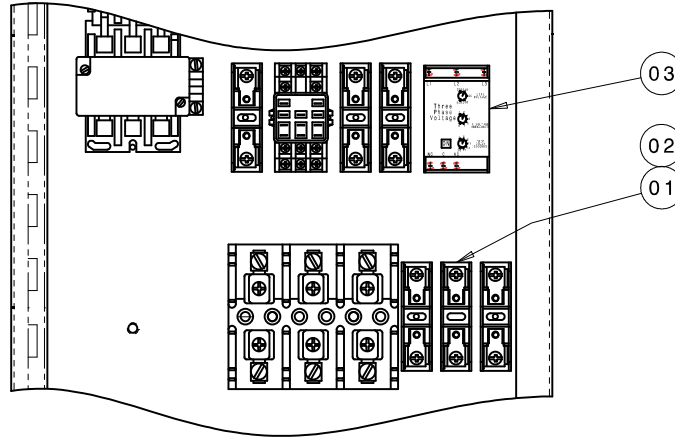
**Model: 5410  
Hydraulic Power Unit**

10.14 ADDITIONAL FEATURES *(continued)*

**10.14.5 Voltage/Phase Monitor (Options G – J)**

The Voltage/Phase Monitor does not require regular general maintenance. The panel indicator light will illuminate if a tripped condition exists. If the Voltage/Phase Monitor is causing the HPU to shut off, verify the ♦ Phase Monitor settings shown. Continued tripping may indicate a serious electrical problem. See Section 11.0 – **Provision of Spares** for recommended spare fuses.

**NOTE:** Wire per Appendix – Electrical Schematic INS-1725. Reference Appendix – Wiring Diagram INS-1747. Reference Section 10.7.1 Electrical Panel (Page 35) for Panel Light.



**FIGURE 10.14.5 – Voltage/Phase Monitor**

**PARTS LIST**

Item	Part Number	Description	Qty
1.....	EC-1420.....	Fuse Block, Single Pole .....	3
2.....	EC-1419-09 .....	Fuse, KTK, 2 amp .....	3
♦ 3.....	See Table below.....	Phase Monitor .....	1

**Phase Monitor**

Option	Voltage	Frequency	Part Number
G	200 – 230	50/60 Hz	EC-1543-02
H	380	50/60 Hz	EC-1543-03
I	415 – 460	50/60 Hz	EC-1543-04
J	575	60 Hz	EC-1543-05

♦ Setting Instructions for Item 3:

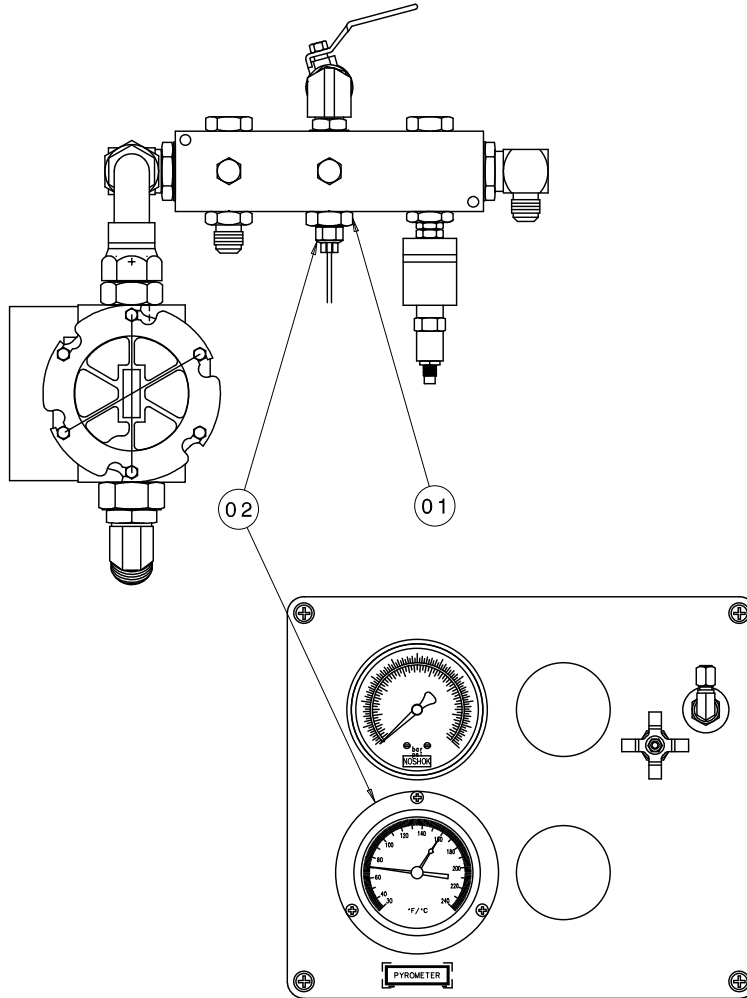
1. Set **Line Voltage** to match the voltage rating of the Hydraulic Power Unit.
2. Set **% Voltage Unbalanced** to 5% for 60 Hz unit or 6% for 50 Hz unit.
3. Set **Trip Delay** to three (3) seconds.

**Model: 5410  
Hydraulic Power Unit**

10.14 ADDITIONAL FEATURES *(continued)*

**10.14.6 Pyrometer (Option K)**

Refer to Section 12.6 – **Analog Temperature Gauge** when calibration of the pyrometer is desired.



**FIGURE 10.14.6 – Pyrometer**

**PARTS LIST**

**Fluid Type: MIL-H-5606**

Item	Part Number	Description	Qty
1	N-2463-16-S-B	Reducer Fitting	1
2	HC-1769-01	Pyrometer	1

10.0 Maintenance continued on following page.

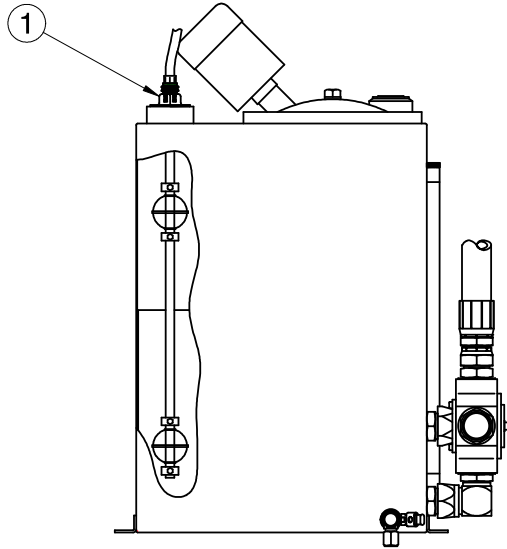
**Model: 5410  
Hydraulic Power Unit**

10.14 ADDITIONAL FEATURES *(continued)*

**10.14.7 Electric Reservoir Level (Option L)**

The Electric Reservoir Level switch does not require regular general maintenance. Panel indicator lights will indicate low or high fluid level.

**NOTE:** Wire per Appendix – Electrical Schematic INS-1725. Reference Appendix – Wiring Diagram INS-1747. Reference Section 10.7.1 Electrical Panel (Page 35) for Panel Light.



**FIGURE 10.14.7 – Electric Reservoir Level**

**PARTS LIST**

<b>Item</b>	<b>Part Number</b>	<b>Description</b>	<b>Qty</b>
1 .....	EC-1798.....	Multi-Level Switch <i>(includes Plug-in Cable)</i> .....	1

**Model: 5410  
Hydraulic Power Unit**

This page left blank intentionally.

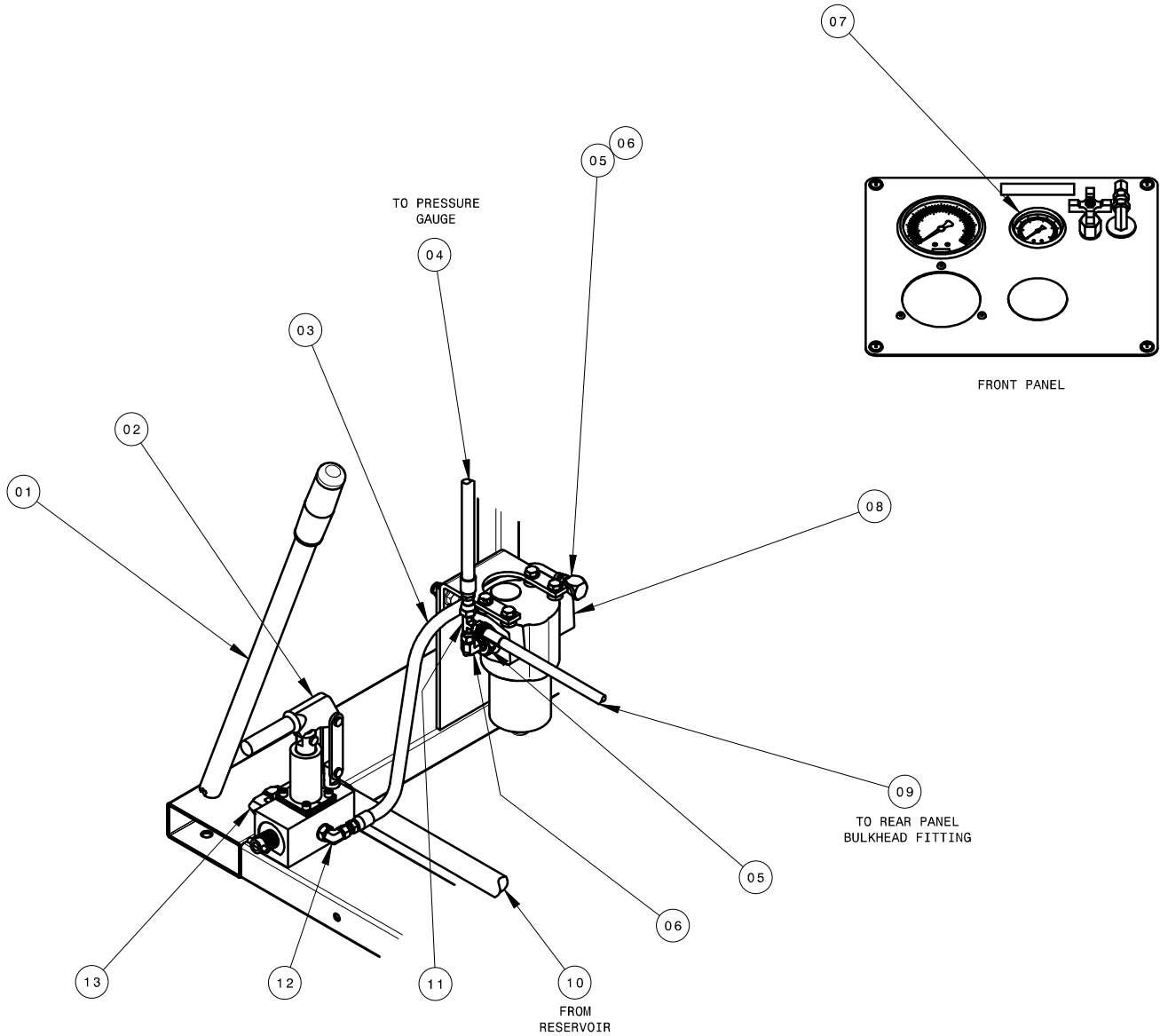
**Model: 5410  
Hydraulic Power Unit**

10.14 ADDITIONAL FEATURES (continued)

**10.14.8 Hand Pump (Option M)**

Refer to Section **10.6 Hydraulic Hoses** concerning hose inspection for general maintenance on Items 5, 10, 12, and 14 hose assemblies. Refer to Section **10.5.3 – Hand Pump (Optional) Filter**.

Reference Parts List on following page.



**FIGURE 10.14.8 – Hand Pump**



**Model: 5410  
Hydraulic Power Unit**

**10.14.8 Hand Pump (Option M) (continued)**

**PARTS LIST**

**Fluid Type: MIL-H-5606**

<b>Item</b>	<b>Part Number</b>	<b>Description</b>	<b>Qty</b>
1	H-1009-01	Pump Handle	1
2	HC-1778	Hand Pump, Two Stage	1
3	TF-1038-15*20.0	Hose Assembly, #4	1
4	TF-1038-16*38.5	Hose Assembly, #4	1
5	N-2463-10-S-B	Reducer Fitting	2
6	N-2001-06-S-B	Elbow, #8 SAE x #4 JIC Flare	1
7	HC-2146	Pressure Gauge	1
8	HC-1776	Pressure Filter	1
9	TF-1038-14*41.0	Hose Assembly, #4	1
10	TF-1038-08*15.5	Hose Assembly, #8	1
11	N-2016-03-S	Tee, Swivel Nut, #4	1
12	N-2001-05-S-B	Elbow, #6 SAE x #4 JIC Flare	1
13	N-2001-11-S-B	Elbow, #8 SAE x #8 JIC Flare	1
<i>Not Shown</i>	N-2002-03-S	Elbow, Bulkhead, #4 JIC	1
<i>Not Shown</i>	TF-1038-14*180	Assembly, Hose #4	1
<i>Not Shown</i>	N-2055-01-S	Reducer, Tube (6-4)	1
<i>Not Shown</i>	N-2014-05-S	Plug, #6	1

*10.0 Maintenance continued on following page.*



Model: 5410  
Hydraulic Power Unit

10.14.8 Hand Pump (Option M) (continued)

10.14.8.a Two Stage Pump with Relief

Reference Page 69 for Parts List.

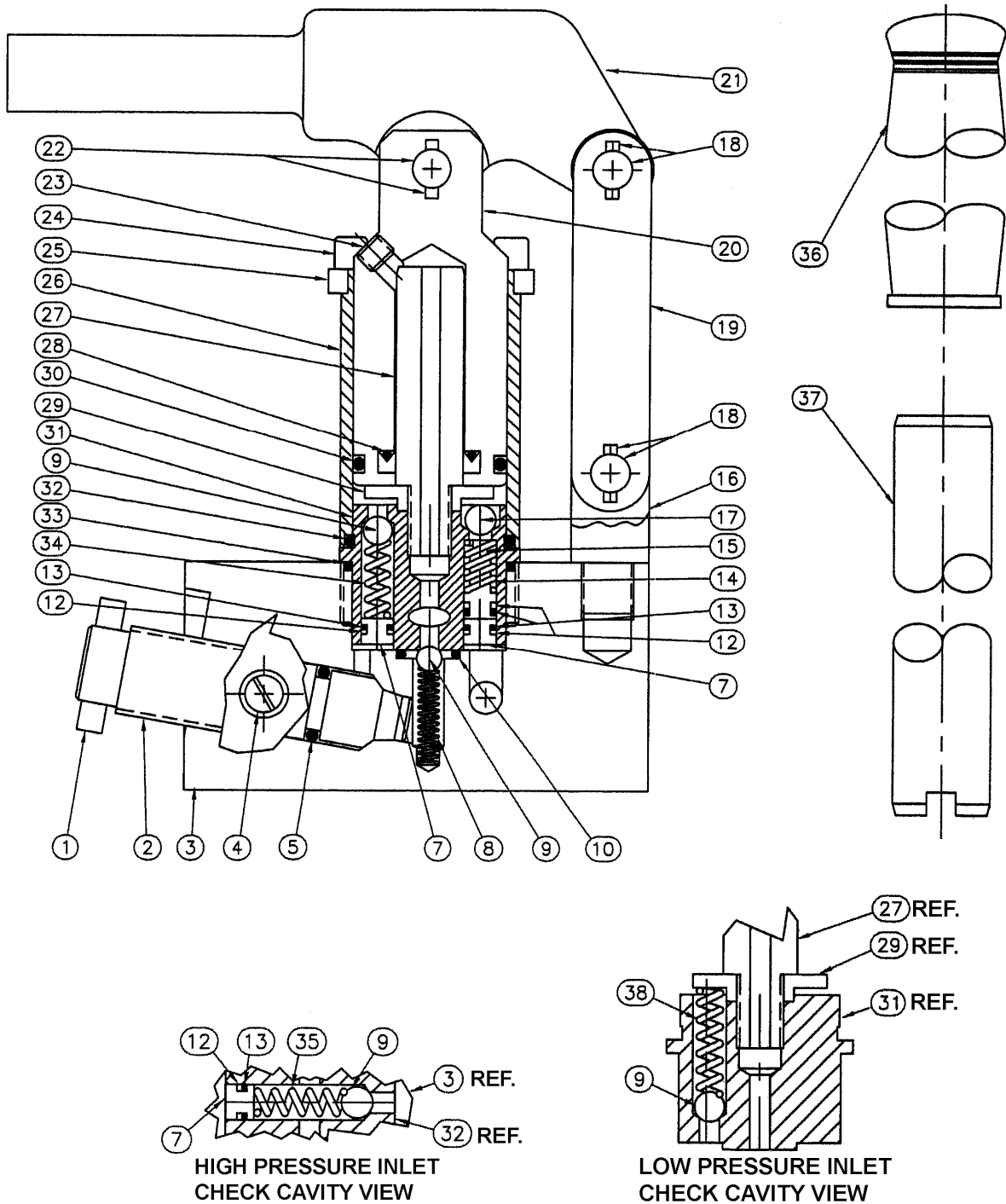


FIGURE 10.14.8.a – Two Stage Pump with Relief

**Model: 5410  
Hydraulic Power Unit**

**10.14.8.a Two Stage Pump with Relief (continued)**

**PARTS LIST**

**Fluid Type: MIL-H-5606**

Item	Part Number	Description	Qty
1	519-000	Pin	1
3	CXC-990022-001	Body	1
7	505-001	Plug, Valve Body	3
15	571-121	Piston, Bypass Assembly	1
16	508-000	Pivot	1
20	566-125	Piston L.P.	1
23	583-120	Plug	1
24	09-ADDF-04-20 X 56	Tie Rod	4
25	582-125	Flange	1
26	563-121	Tube	1
27	562-125	H.P. Piston	1
29	564-120	Retainer	1
31	560-120	Valve Body	1
36	H-1223	Grip, Handle	1
37	H-1009-01	Handle with Grip	1
<b>HK-1095</b>		<b>Kit, Internal Parts; consists of:</b>	
6	(Not Shown)	Ball, Release	0
8		Spring, Outlet Check	1
9		Ball, Check	4
14		Spring, Bypass	1
17		Ball, Bypass	1
34		Spring, L.P. Outlet	1
35		Spring, H.P. Outlet	1
38		Spring, Intake L.P.	1
<b>HK-1029</b>		<b>Kit, Pump Seal; consists of:</b>	
5		O-ring, BUNA	1
10		O-ring, BUNA	1
12		Backup Ring (Teflon)	4
13		O-ring, BUNA	4
28		H.P. Piston Seal	1
30		O-ring, BUNA	1
32		O-ring, BUNA	1
33		O-ring, BUNA	1
<b>HK-1068</b>		<b>Kit, Pump Linkage; consists of:</b>	
18		Pin Linkage Assembly	2
19		Strap	2
21		Handle Bracket	1
22		Clevis Pin Assembly	1
<b>HK-3118</b>		<b>Kit, Release Screw; consists of:</b>	
2		Screw, Release/Relief	1
4		Retainer, Release Screw	1

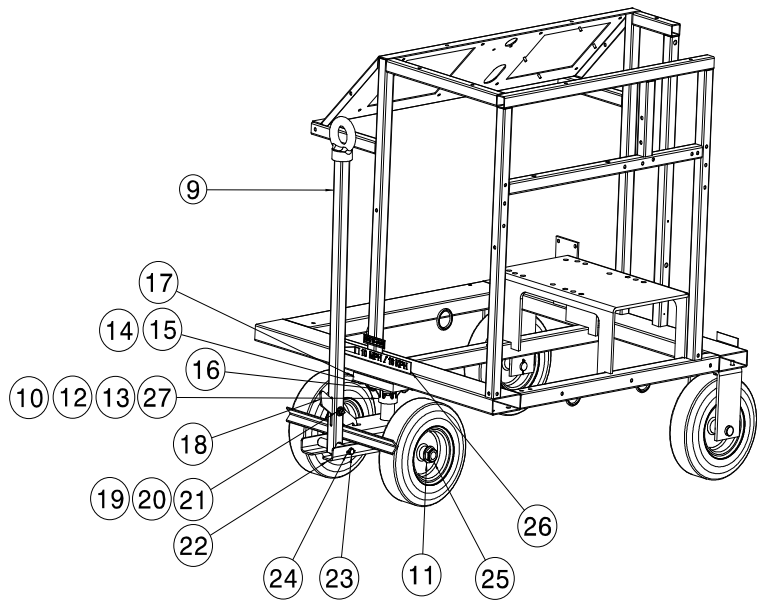
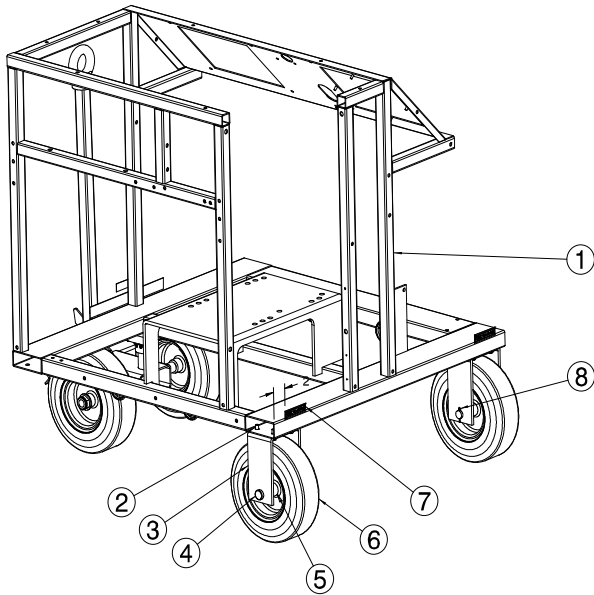
10.14. Additional Features continued on following page.

**Model: 5410  
Hydraulic Power Unit**

10.14 ADDITIONAL FEATURES (continued)

**10.14.9 Towing Trailer (Option N)**

Air Pressure: 55 psi



**PARTS LIST**

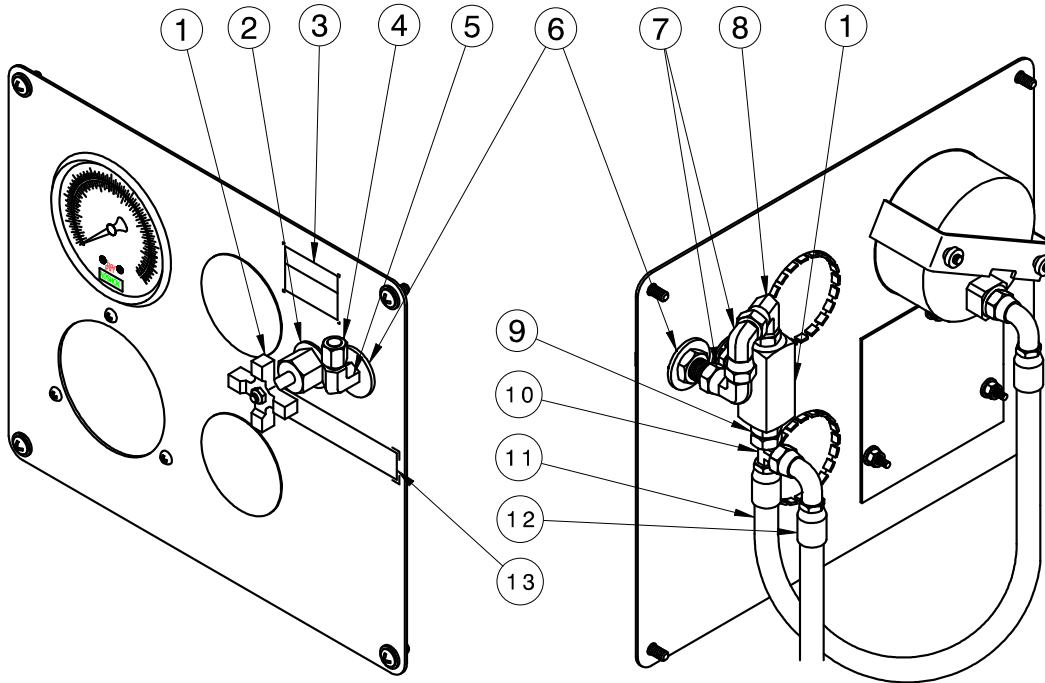
<b>Item</b>	<b>Part Number</b>	<b>Description</b>	<b>Qty</b>
1	Z-5775-01	Weldment, Frame	Ref
2	G-1100-107010	Bolt, HH, 3/8 - 16 x 1 LG	8
3	J-3669-01	Bracket, Fixed Wheel	2
4	G-1302-21	Pin, Clevis 1 OD x 6	2
5	TR-1894-01	Spacer, Wheel	4
6	U-1113	Assembly, Tire/Rim	4
7	V-1392	Label, Tire Pressure	3
8	G-1301-03	Pin, Cotter, 1/8 x 1 1/2 LG	2
9	Z-5584-01	Weldment, Towbar	1
10	H-2789	Hub, Idler	1
11	G-1250-1130N	Flatwasher, 1" Narrow	3
12	G-1230-01	Nut, Axle, 1-14 UNS	1
13	G-1301-01	Pin, Cotter, 3/16 x 1 1/2 LG	1
14	G-1100-107016	Bolt, HH, 3/8 - 16 x 1 3/4 LG	4
15	G-1250-1070N	Flatwasher, 3/8 Narrow	4
16	G-1151-109514	Screw, 1/2 - 20 HEX SOC HD CAP	4
17	J-3670-01	Plate, Steering Mount	1
18	J-3427	Lever	1
19	G-1100-109522	Bolt, HH, 1/2 - 20 x 2 1/2 LG	1
20	G-1250-1090N	Flatwasher, 1/2 Narrow	2
21	G-1203-1095	Jamnut, Elastic, 1/2 - 20	1
22	Z-6044-01	Weldment, Steer Axle	1
23	R-2096	Pin, Towbar	1
24	G-1301-02	Pin, Cotter, 1/8 x 1 LG	2
25	G-1203-1120	Jamnut, Elastic, 1 - 14	2
26	V-2074	Label, Max Towing	1
27	G-1283	Washer, Spindle	1

**Model: 5410  
Hydraulic Power Unit**

10.14 ADDITIONAL FEATURES (continued)

**10.14.10 Calibration Port (Option Q)**

Refer to Section 10.6 *Hydraulic Hoses* concerning hose inspection.



**FIGURE 10.14.10 – Calibration Port**

**PARTS LIST**

**Fluid Type: MIL-H-5606**

<b>Item</b>	<b>Part Number</b>	<b>Description</b>	<b>Qty</b>
1	HC-1900-01	Needle Valve	1
2	HC-1122	Kit, Panel Mounting (MVK-4)	1
3	V-1470	Label, Caution	1
4	N-2008-03-S	Cap, ¼, #4 JIC	1
5	N-2022-03-S	Elbow, Bulkhead Union with Locknut #4	1
6	G-1250-1080W	Flatwasher, 7/16 Wide	2
7	N-2002-03-S	Elbow, Swivel Nut #4	2
8	N-2049-07-S-B	Elbow, 90° Swivel & O-ring #4 x #6	1
9	N-2007-05-S-B	Connector, Straight Thread #4 JIC x #6 SAE	1
10	N-2016-03-S	Tee, Swivel Nut Run, #4	1
11	TF-1038-16*23.0	Hose Assembly, #4	1
12	TF-1038-16*23.0	Hose Assembly, #4	Ref
13	V-1888	Label, Shut-Off Calibration	1

10.14. Additional Features continued on following page.

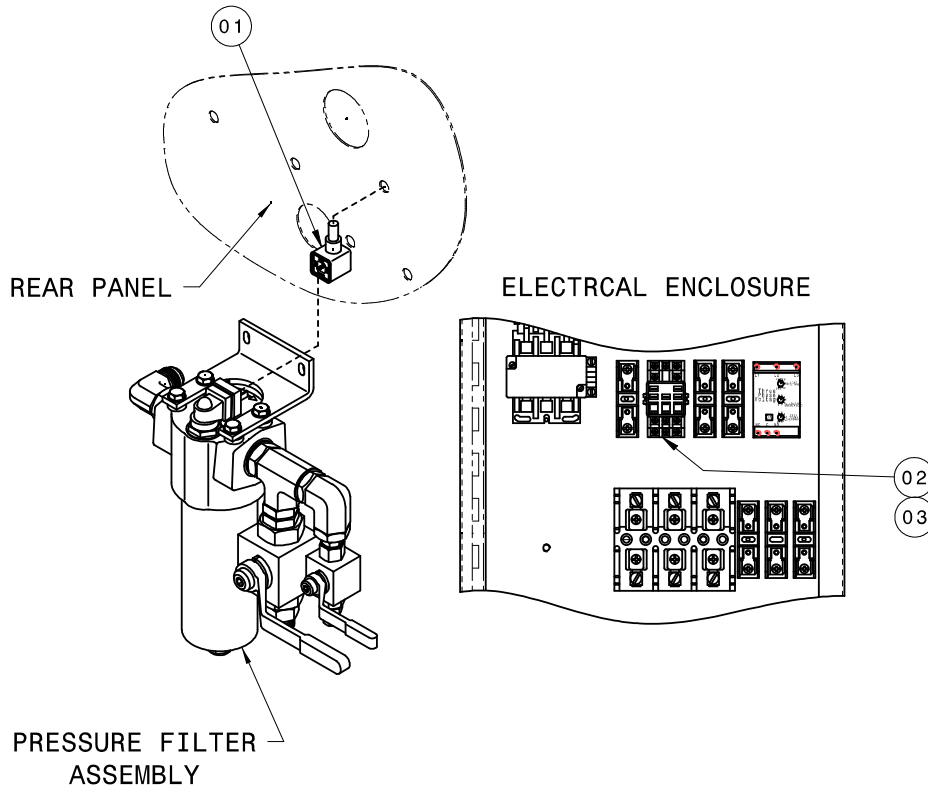
**Model: 5410  
Hydraulic Power Unit**

10.14 ADDITIONAL FEATURES *(continued)*

**10.14.11 Electric Filter Clogging Indicator (Option R)**

The Electric Filter Clogging Indicator does not require regular general maintenance. The panel light will illuminate when the clogging indicator senses a 98 psi differential pressure across the filter element. Installing a new filter element will eliminate the clogged condition. Pushing the illuminated button will reset the indicator light.

- NOTES:**
- 1) **Higher flow rates will result in higher differential pressures.**  
*Example: The clogging indicator may sense a 98 psi differential pressure at a flow rate of 10 gpm but not show a clogged condition when the flow rate is reduced to 5 gpm.*
  - 2) **Wire per Appendix – Electrical Schematic INS-1725. Reference Appendix – Wiring Diagram INS-1747. Reference 10.7.1 Electrical Panel (Page 35) for Panel Light.**



**FIGURE 10.14.11 – Electric Filter Clogged Indicator**

**PARTS LIST**

<b>Item</b>	<b>Part Number</b>	<b>Description</b>	<b>Qty</b>
1.....	EC-1778.....	DIN Connector Cable .....	1
2.....	EC-1677.....	Relay Socket .....	1
3.....	EC-1678.....	Relay .....	1

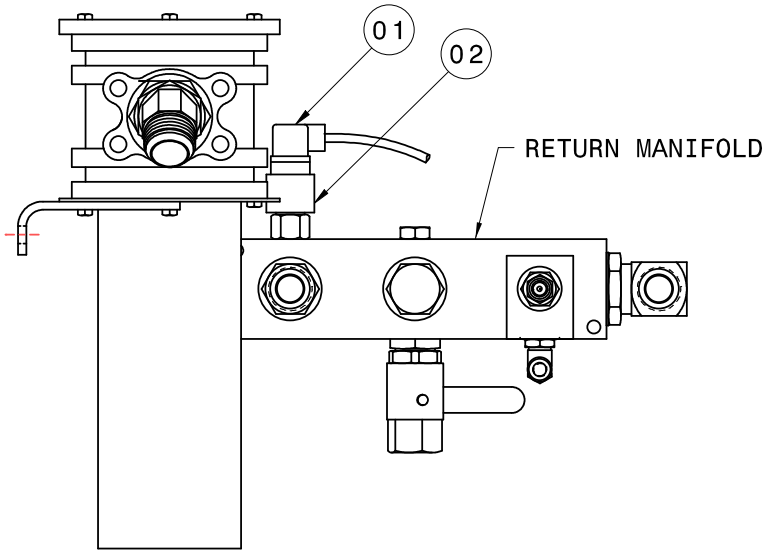
**Model: 5410  
Hydraulic Power Unit**

10.14 ADDITIONAL FEATURES *(continued)*

**10.14.12 Electric Over-Temperature (Option S)**

The Electric Over-Temperature switch does not require regular general maintenance. However, automatic shut down due to high fluid temperature is a indication that maintenance or training may be needed elsewhere.

**NOTE:** Wire per Appendix – Electrical Schematic INS-1725. Reference Appendix – Wiring Diagram INS-1747. Reference 10.7.1 Electrical Panel (Page 35) for Panel Light.



**FIGURE 10.14.12 – Electric Over-Temperature**

**PARTS LIST**

**Fluid Type: MIL-H-5606**

<b>Item</b>	<b>Part Number</b>	<b>Description</b>	<b>Qty</b>
1 .....	EC-1778.....	DIN Connector Cable .....	1
2 .....	EC-1782-01 .....	Temperature Switch .....	1

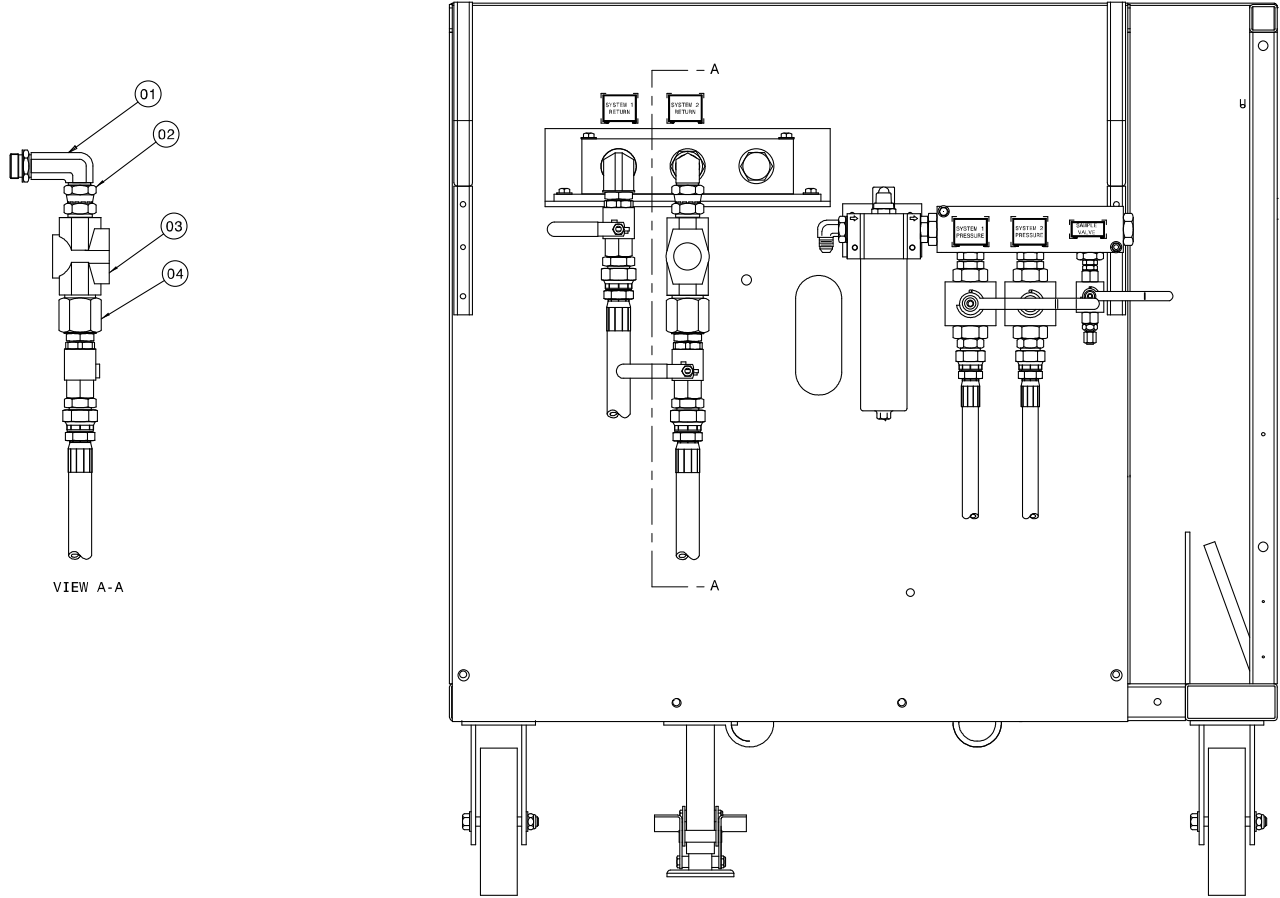
10.14 Additional Features continued on following page.

**Model: 5410  
Hydraulic Power Unit**

10.14 ADDITIONAL FEATURES (continued)

**10.14.13 Return Sight Gauge (Option U)**

Refer to Section **10.6 Hydraulic Hoses** concerning hose inspection. Annual calibration of instrumentation is recommended



**FIGURE 10.14.13 – Return Sight Gauge**

**PARTS LIST  
Fluid Type: MIL-PRF-5606**

<b>Item</b>	<b>Part Number</b>	<b>Description</b>	<b>Qty</b>
1	N-2706-S-B	Elbow, Long Straight Thread	1
2	N-2030-11-S	Swivel, Female (-16 x 1 NPT)	1
3	HC-2261	Sight Gauge, Flow 1" NPT	1
4	N-2226-08-S	Connector, Male Pipe	1



**Model: 5410  
Hydraulic Power Unit**

**10.0 MAINTENANCE** *(continued)*

10.15 REPLACEMENT LABELS PARTS LISTS

**10.15.1 Base Unit**

<b>Part Number</b>	<b>Description</b>	<b>Qty</b>
V-1001	"Made in USA"	1
V-1033-01	"TRONAIR"	1
V-1050	ISO Electrical Shock Symbol	2
V-1365	"SYSTEM PRESSURE"	1
V-1366	"HPU BY-PASS VALVE"	1
V-1882	Control Panel Lights	1
V-1884	"FLOWMETER"	1
V-1893	"SAMPLE VALVE"	1
V-1894	"PRESSURE"	1
V-1895	"RETURN"	1
V-1896	"MAXIMUM OIL LEVEL"	1
V-1897	"MINIMUM OIL LEVEL"	1
V-1900	"WARNING KEEP 5 FT CLEAR . . ."	2
V-1901	Hydraulic Schematic	1
V-1902	Electrical Schematic	1
V-1914	Reservoir Selector Valve	1
V-1918	"PE"	1
V-1919	"OPERATING INSTRUCTIONS . . ."	1
V-2246	Label, Pump Controls	1

**10.15.2 Fluid Label**

<b>Part Number</b>	<b>Description</b>	<b>Qty</b>
V-1975	"MIL-H-5606 FLUID ONLY"	2

**10.15.3 Filter Element Kit Labels**

**Fluid Type: MIL-H-5606**

<b>Part Number</b>	<b>Description</b>	<b>Qty</b>
V-1905	"REPLACEMENT FILTER ELEMENT K-3493"	1
V-1904	"REPLACEMENT FILTER ELEMENT K-3492"	1
V-1916	"REPLACEMENT DESICCANT FILTER ELEMENT HC-1763"...	1

**10.15.4 Dual System (Option C) and Crossover Check (Option D) Labels**

<b>Part Number</b>	<b>Description</b>	<b>Qty</b>
V-2004	"SYSTEM 1 PRESSURE"	1
V-2005	"SYSTEM 2 PRESSURE"	1
V-2006	"SYSTEM 1 RETURN"	1
V-2007	"SYSTEM 2 RETURN"	1

**10.15.5 Pyrometer (Option K) Label**

<b>Part Number</b>	<b>Description</b>	<b>Qty</b>
V-1886	"PYROMETER"	1

10.15 Replacement labels parts lists continued on following page.



**Model: 5410  
Hydraulic Power Unit**

10.15 REPLACEMENT LABELS PARTS LISTS *(continued)*

**10.15.6 Hand Pump (Option M) Labels**

**Fluid Type: MIL-H-5606**

Part Number	Description	Qty
V-1887 .....	"HAND PUMP PRESSURE" .....	1
V-1915 .....	"HAND PUMP" .....	1
V-1988 .....	"REPLACEMENT FILTER ELEMENT K-3751" .....	1

**10.15.7 Calibration Port (Option Q) Labels**

Part Number	Description	Qty
V-1470 .....	"CAUTION . . ." .....	1
V-1888 .....	"SHUT-OFF/CALIBRATION PORT" .....	1

**10.15.8 Back-Pressure Valve with Sight Glass (Option T) Label**

Part Number	Description	Qty
V-1987 .....	"RETURN SYSTEM PRESSURE" .....	1

**11.0 PROVISION OF SPARES**

11.1 SOURCE OF SPARE PARTS

**TRONAIR**, Inc.  
1740 Eber Road  
Holland, Ohio 43528-9794 USA

Telephone: (419) 866-6301 or 800-426-6301  
Fax: (419) 867-0634  
E-mail: sales@tronair.com  
Website: www.tronair.com

11.2 RECOMMENDED SPARE PARTS LISTS

It is recommended that the following spare parts be kept on hand and available for immediate use during maintenance.

**11.2.1 Spare Electrical Parts**

Part Number	Description	Qty
<i>Refer to Section 10.11 Electrical Components Item 11</i> .....	Fuse, Transformer Primary .....	2
EC-1542-04 .....	Fuse, Transformer Secondary .....	1
<i>Refer to Section 10.11 Electrical Components Item 2</i> .....	Fuse, Heat Exchanger .....	3
EC-1419-09 .....	Fuse, Phase Monitor (Optional) .....	3

**11.2.2 Spare Parts**

**Fluid Type: MIL-H-5606**

Part Number	Description	Qty
HC-1763 .....	Desiccant Filter Element .....	1
TBD .....	Kit, Gaskets and O-rings for Main Pump .....	1
K-3492 .....	Kit, Pressure Filter Element .....	1
K-3493 .....	Kit, Return Filter Element .....	1
TBD .....	Kit, Shaft Seal and Retainer for Main Pump .....	1
K-3751 .....	Kit, Hand Pump Filter Element (Optional) .....	1



**Model: 5410  
Hydraulic Power Unit**

**12.0 CALIBRATION OF INSTRUMENTATION**

All gauges on the Hydraulic Power Unit can be either returned to Tronair for calibration or certified by the end user if proper calibration equipment is available. Gauges returned to Tronair for calibration will be tested with standards traceable to N.I.S.T. (National Institute of Standards and Technology). Tronair recommends calibration of instrumentation at yearly intervals, but actual calibration dates may be based upon frequency of use and the end users quality system. For information on returning gauges for calibration, Reference **12.1 – Source of Calibration**.

**12.1 SOURCE OF CALIBRATION**

**TRONAIR**, Inc.  
1740 Eber Road  
Holland, Ohio 43528-9794 USA

Telephone: (419) 866-6301 or 800-426-6301  
Fax: (419) 867-0634  
E-mail: sales@tronair.com  
Website: www.tronair.com

**12.2 ANALOG PRESSURE GAUGE – System Pressure**

**12.2.1 Self Calibration**

An accurate pressure calibration gauge is required for calibration of the System Pressure gauge. There are two methods available. Method A can be used if the HPU is equipped with a calibration port (*Option Q*). Method B must be used if the HPU is **not** equipped with a calibration port. Follow the necessary steps below.

**NOTE:** *Method A can only test the gauge up to the rated operating pressure of the HPU (3,500 psi).*

**Method A:** Shut off HPU and disconnect from aircraft. Close the calibration port **Shut-off Valve** on the instrument panel of the HPU. Attach the “Master” calibration gauge to the **Calibration Port** on the instrument panel.

Set up the HPU as follows:

Reservoir Selector Valve ..... Set to HPU Reservoir  
Bypass Valve ..... Open  
Pressure Ball Valves (at rear of unit) ..... Closed  
Return Ball Valves (at rear of unit) ..... Closed

Start the HPU. Open the calibration port Shut-off Valve. Close the Bypass valve to build system pressure. Record gauge values at the designated increments.

Open the Bypass valve.

Shut off the HPU and close the calibration port Shut-off Valve before disconnecting the “Master” calibration gauge.

*12.2.1 Self calibration continued on following page.*



**Model: 5410  
Hydraulic Power Unit**

**12.2.1 Self Calibration (continued)**

**Method B:** Shut off the HPU and disconnect it from the power source. Remove the **Hydraulic Panel** from the front instrument panel (four screws). Disconnect the hose from the System Pressure gauge (remove gauge from panel if necessary). Attach calibration test equipment to the gauge and record gauge values at the designated increments.

**SYSTEM PRESSURE GAUGE (HC-2144)**

Applied Pressure (System Pressure Gauge) (psig)	Minimum Acceptable (psig)	Maximum Acceptable (psig)	Gauge Movement (Direction)	Indicated Pressure (Calibration Gauge) (psig)
1000	910	1090	Increasing	
2000	1910	2090	Increasing	
3000	2910	3090	Increasing	
4000	3910	4090	Increasing	
5000	4910	5090	Increasing	
6000	5910	6090	Increasing	
5000	4910	5090	Decreasing	
4000	3910	4090	Decreasing	
3000	2910	3090	Decreasing	
2000	1910	2090	Decreasing	
1000	910	1090	Decreasing	
Allowable operating tolerance: +/- 1.5% of full scale (90 psig) at room temperature (70° F).				

**Model: 5410  
Hydraulic Power Unit**

**12.0 CALIBRATION OF INSTRUMENTATION** *(continued)*

12.3 ANALOG PRESSURE GAUGE (Hand Pump Pressure- *Option M Only*)

**12.3.1 Self Calibration**

An accurate pressure calibration gauge is required for calibration of the Hand Pump Pressure gauge. Follow the necessary steps below.

Shut off the HPU and disconnect it from the power source. Remove the **Hydraulic Panel** from the front instrument panel (four screws). Disconnect the hose from the Hand Pump Pressure gauge (remove gauge from panel if necessary). Attach calibration test equipment to the gauge and record gauge values at the designated increments.

**HAND PUMP PRESSURE GAUGE (HC-2146)**

Applied Pressure (Hand Pump Pressure Gauge) (psig)	Minimum Acceptable (psig)	Maximum Acceptable (psig)	Gauge Movement (Direction)	Indicated Pressure (Calibration Gauge) (psig)
1000	700	1300	Increasing	
2000	1700	2300	Increasing	
5000	4800	5200	Increasing	
8000	7700	8300	Increasing	
10,000	9700	10,300	Increasing	
8000	5940	8300	Decreasing	
5000	4800	5200	Decreasing	
2000	1700	2300	Decreasing	
1000	700	1300	Decreasing	
Allowable operating tolerance: +/- 3% of full scale (300 psig) at room temperature (70° F). +/- 2% of full scale for middle third of scale (200 psig) at room temperature (70° F).				

12.0 Calibration Of Instrumentation continued on following page.



**Model: 5410  
Hydraulic Power Unit**

**12.0 CALIBRATION OF INSTRUMENTATION** *(continued)*

**12.4 ANALOG PRESSURE GAUGES** *(Crossover Check- Option D Only)*

**12.4.1 Self Calibration**

An accurate pressure calibration gauge is required for calibration of the Crossover Check pressure gauges. See Section **10.14.4 – Crossover Check** for location. Follow the necessary steps below.

1. Shut off the HPU and disconnect it from the power source.
2. Remove the Crossover Check pressure gauges from the rear pressure manifold.
3. Attach calibration test equipment to each gauge and record gauge values at the designated increments.

**CROSSOVER CHECK PRESSURE GAUGES (HC-1257 / HC-1928)**

Applied Pressure (Crossover Check Pressure Gauges) (psig)	Minimum Acceptable (psig)	Maximum Acceptable (psig)	Gauge Movement (Direction)	Indicated Pressure (Calibration Gauge) (psig)
1000	925	1075	Increasing	
2000	1925	2075	Increasing	
3000	2925	3075	Increasing	
4000	3925	4075	Increasing	
5000	4925	5075	Increasing	
4000	3925	4075	Decreasing	
3000	2925	3075	Decreasing	
2000	1925	2075	Decreasing	
1000	925	1075	Decreasing	
Allowable operating tolerance: +/- 1.5% of full scale (75 psig) at room temperature (70° F).				

**12.5 ANALOG TEMPERATURE GAUGE** *(Pyrometer- Option K Only)*

**12.5.1 Self Calibration**

An accurate temperature calibration gauge is required for calibration of the Pyrometer. The pyrometer bulb is located in the return manifold (rear of unit) and can be accessed by removal of the HPU top panel. See Section **10.13.7 – Pyrometer** for location. Follow the necessary steps below.

1. Remove the pyrometer bulb from the return manifold by removing the slotted brass nut that retains the bulb in the well.
2. Connect the temperature calibration gauge to the bulb of the pyrometer.

**The Temperature Value Must Be:**

Pyrometer Temperature Display (° F)	Minimum Acceptable (° F)	Maximum Acceptable (° F)	Temperature Calibration gauge (° F)
160	158	162	

**Model: 5410**  
**Hydraulic Power Unit**

### **13.0 IN SERVICE SUPPORT**

Contact Tronair, Inc. for technical services and information. See Section **1.3 – Manufacturer**.

### **14.0 GUARANTEES**

Tronair products are warranted to be free of manufacturing or material defects for a period of one year after shipment to the original customer. This is solely limited to the repair or replacement of defective components. This warranty does not cover the following items:

- a) Parts required for normal maintenance
- b) Parts covered by a component manufacturers warranty
- c) Replacement parts have a 90-day warranty from date of shipment

If you have a problem that may require service, contact Tronair immediately. Do not attempt to repair or disassemble a product without first contacting Tronair, any action may affect warranty coverage. When you contact Tronair be prepared to provide the following information:

- a) Product Model Number
- b) Product Serial Number
- c) Description of the problem

If warranty coverage is approved, either replacement parts will be sent or the product will have to be returned to Tronair for repairs. If the product is to be returned, a Return Material Authorization (RMA) number will be issued for reference purposes on any shipping documents. Failure to obtain a RMA in advance of returning an item will result in a service fee. A decision on the extent of warranty coverage on returned products is reserved pending inspection at Tronair. Any shipments to Tronair must be shipped freight prepaid. Freight costs on shipments to customers will be paid by Tronair on any warranty claims only. Any unauthorized modification of the Tronair products or use of the Tronair products in violation of cautions and warnings in any manual (including updates) or safety bulletins published or delivered by Tronair will immediately void any warranty, express or implied.

The obligations of Tronair expressly stated herein are in lieu of all other warranties or conditions expressed or implied. Without limitation, to the fullest extent allowable by law, this exclusion of all other warranties and conditions extends to implied warranties and conditions of satisfactory quality, merchantable quality, and fitness for a particular purpose, and those arising by statute or otherwise in law, or from a course of dealing or usage of trade.

### **15.0 APPENDICES**

APPENDIX I	Hydraulic Schematic (INS-1602)
APPENDIX II	Electrical Schematic (INS-1725)
APPENDIX III	Wiring Diagram (INS-1747)
APPENDIX IV	Lincoln Motor Manual
APPENDIX V	Oilgear Type PVWJ Pump Manuals
APPENDIX VI	Material Safety Data Sheet (MSDS) pertaining to Hydraulic Fluid
APPENDIX VII	ANSI/B93.19M-1972 (R1993-Excerpt)
APPENDIX VIII	Instrument Certification Notice







## **APPENDIX I**

### **Hydraulic Schematic (INS-1602)**





## **APPENDIX II**

### **Electrical Schematic (INS-1725)**





## **APPENDIX III**

### **Wiring Diagram (INS-1747)**





## **APPENDIX IV**

### **Lincoln Motor Manual**





Carefully read and fully understand this Owner's Manual prior to installation, operation and maintenance of your motor.

### 1. SAFETY DEPENDS ON YOU

Lincoln motors are designed and manufactured with safety in mind. However, your overall safety can be increased by properly installing, operating and maintaining the motor. Read and observe all instructions, warnings and specific safety precautions included in this manual and **THINK BEFORE YOU ACT!**



### 2. RECEIVING AND INSPECTION

Check packing list and inspect motor to make certain no damage has occurred in shipment. Claims for any damage done in shipment must be made by the purchaser against the transportation company.

Turn the motor shaft by hand to be certain that it rotates freely. Be careful not to cut yourself on the shaft keyway; it is razor sharp!

Check the nameplate for conformance with power supply and control equipment requirements.

### 3. HANDLING

 <b>WARNING</b>	
	<b>FALLING EQUIPMENT can injure.</b>
	<ul style="list-style-type: none"> <li>● Lift only with equipment of adequate lifting capacity.</li> <li>● If so equipped, use lift ring(s) on the motor to lift <b>ONLY</b> the motor and accessories mounted by Lincoln.</li> </ul>

In case of assemblies on a common base, the motor lift ring(s) **CANNOT** be used to lift the assembly and base but, rather, the assembly should be lifted by a sling around the base or by other lifting means provided on the base. In all cases, care should be taken to assure lifting in the direction intended in the design of the lifting means. Likewise, precautions should be taken to prevent hazardous overloads due to deceleration, acceleration or shock forces.

### 4. STORAGE

Motor stock areas should be clean, dry, vibration free and have a relatively constant ambient temperature. For added bearing protection while the motor is in storage, turn the motor shaft every six months.

A motor stored on equipment and component equipment prior to installation should be kept dry and protected from the weather. If the equipment is exposed to the atmosphere, cover the motor with a waterproof cover. Motors should be stored in the horizontal position with drains operable and positioned in the lowest point. **CAUTION:** Do not completely surround the motor with the protective covering. The bottom area should be open at all times.

Windings should be checked with a megohm-meter (Megger) at the time equipment is put in storage. Upon removal from storage, the resistance reading must not have dropped more than 50% from the initial reading. Any drop below this point necessitates electrical or mechanical drying. Note the sensitivity of properly connected megohm-meters can deliver erroneous values. Be sure to carefully follow the megohm-meter's operating instructions when making measurements.

All external motor parts subject to corrosion, such as the shaft and other machined surfaces, must be protected by applying a corrosion-resistant coating.

### 5. INSTALLATION

For maximum motor life, locate the motor in a clean, dry, well ventilated place easily accessible for inspecting, cleaning and lubricating. The temperature of the surrounding air should not exceed 104°F (40°C) except for motors with nameplates indicating a higher allowable maximum ambient temperature.

 <b>WARNING</b>	
	<b>MOVING PARTS can injure.</b>
	<ul style="list-style-type: none"> <li>● <b>BEFORE</b> starting motor, be sure shaft key is captive.</li> <li>● Consider application and provide guarding to protect personnel.</li> </ul>

#### 5.1 INSTALLATION – MECHANICAL

##### Base

Mount the motor on a firm foundation or base sufficiently rigid to prevent excessive vibration. On foot-mounted motors, use appropriately sized bolts through all four mounting holes. For frames which have six or eight mounting holes, use the two closest the drive shaft and two on the end opposite the drive shaft (one on each side of the frame). If necessary, properly shim the motor to prevent undue stress on the motor frame and to precision align the unit.

##### Position

Standard motors may be mounted in any position. The radial and thrust load capacity of the motor's bearing system provides for this feature.

##### Drains

All motors have drain holes located in the end brackets. As standard, drains are in place for the horizontal with feet down mounting position. Other positions may require either rotation of the end brackets or drilling additional holes to attain proper drainage. Be sure existing drain or vent holes do not permit contaminant entry when motor is mounted in the other positions.

Additional drain holes exist near the bearing cartridge in both end brackets of 284T thru 449T steel frame motors. The drain holes are closed with a plastic plug. When the motor is vertically mounted, the plug located in the lower end bracket must be removed. To access the plug on blower end, simply remove the shroud; on some models, it is also necessary to take off the blower.

##### Drive – Power Transmission

The pulley, sprocket, or gear used in the drive should be located on the shaft as close to the shaft shoulder as possible. Do not drive the unit on the shaft as this will damage the bearings. Coat the shaft lightly with heavy oil before installing pulley.

**Belt Drive:** Align the pulleys so that the belt(s) will run true. Consult the belt manufacturer's catalog for recommended tension. Properly tension the belt; excessive tension will cause premature bearing failure. If possible, the lower side of the belt should be the driving side. On multiple belt installations be sure all belts are matched for length.


**Chain Drive:** Mount the sprocket on the shaft as close to the shaft shoulder as possible. Align the sprockets so that the chain will run true. Avoid excessive chain tension.

**Gear Drive and Direct Connection:** Accurate alignment is essential. Secure the motor and driven unit rigidly to the base. Shims may be needed to achieve proper alignment.

Excessive motor vibration may result if the full length of the motor shaft key is not completely engaged by the coupling or sheave. For these situations, adjustment of the key length is required.

5.2 INSTALLATION – ELECTRICAL

⚠ **WARNING**



**ELECTRIC SHOCK can kill.**

- Disconnect input power supply before installing or servicing motor.
- Motor lead connections can short and cause damage or injury if not well secured and insulated.

● Use washers, lock washers and the largest bolt size which will pass through the motor lead terminals in making connections.

● Insulate the connection, equal to or better than the insulation on the supply conductors.

● Properly ground the motor — see GROUNDING.

Check power supply to make certain that voltage, frequency and current carrying capacity are in accordance with the motor nameplate.

Proper branch circuit supply to a motor should include a disconnect switch, short circuit current fuse or breaker protection, motor starter (controller) and correctly sized thermal elements or overload relay protection.

Short circuit current fuses or breakers are for the protection of the branch circuit. Starter or motor controller overload relays are for the protection of the motor.

Each of these should be properly sized and installed per the National Electrical Code and local codes.

Properly ground the motor – See GROUNDING.

**Terminal Box**

Remove the appropriate knockout. For terminal boxes without a knockout, either a threaded power-conduit entry hole is provided or the installer is responsible for supplying a correctly sized hole.

The majority of terminal boxes can be rotated in place to allow power lead entry from the 3, 6, 9 or 12 o'clock direction.

**Motor Connection**

All single speed and two-speed Lincoln motors are capable of across-the-line or autotransformer starting. Reference the lead connection diagram located on the nameplate or inside of the terminal box cover.

Single speed motors have reduced voltage start capability per the following chart.

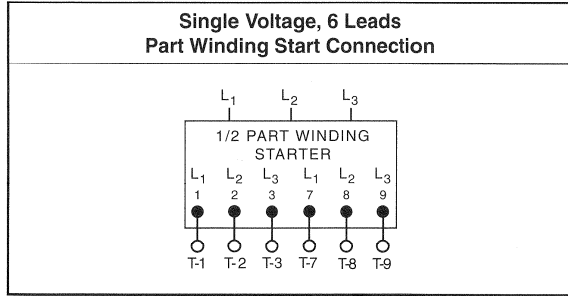
Number of Motor Leads	Number of Rated Voltages	Lead Numbers	YDS	PWS
3	Single	1-3	No	No
6	Single	1-3, 7-9	No	Yes
	Dual	1-6	Yes <sup>(1)</sup>	No
9	Dual	1-9	No	No
12	Single	1-12	Yes	Yes
	Dual	1-12	Yes	No <sup>(2)</sup>

(1) YDS capability on lower voltage only.

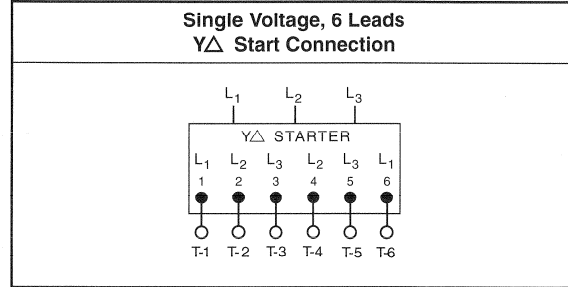
(2) PWS capability on lower voltage only, 1200 RPM, 324T-365T steel frame motors with Model Number efficiency letters of "S" or "H".

Contact Customer Service at 1-800-668-6748 (phone), 1-888-536-6867 (fax) or mailbox@lincolnmotors.com (e-mail) for a copy of across-the-line and other reduced voltage start connection diagrams.

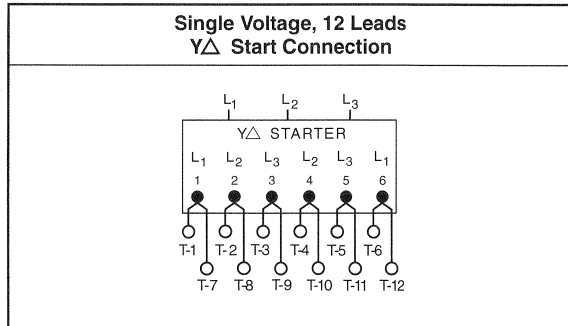
Connection Diagram 1



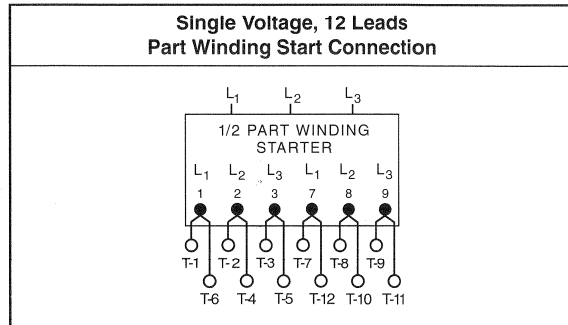
Connection Diagram 2



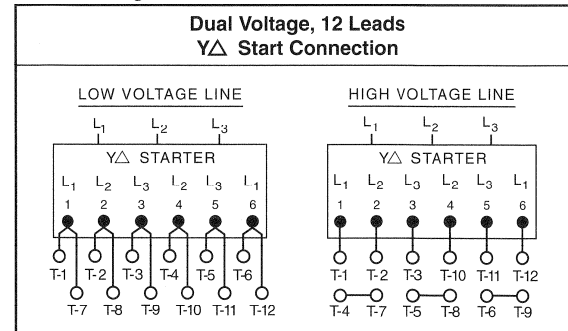
Connection Diagram 3



Connection Diagram 4



Connection Diagram 5



### Space Heater (option)

Leads for space heaters are identified as H1 and H2. Heater voltage and watts are marked on the motor nameplate and should be checked prior to connection to power source.

### Thermostat (option)

Leads for thermostats (normally closed, automatic reset contacts) are identified as P1 and P2. Connect these to a relay or signaling device. Motor line current cannot be handled by the thermostat.

Table 1 — Thermostat Contact Ratings

Voltage (60 Hz)	110V	220V
Max. Cont. Current (amps)	3.0	1.5
Min. Cont. Current (amps)	0.2	0.1

### Thermistor (option)

Leads for thermistors are identified as P3 and P4. Thermistors require connection to Texas Instruments® Control Module Model 32AA or its equivalent for proper operation. This item may be purchased from Lincoln - see LC100 catalog.

### Brake (option)

Carefully read and fully understand the instructions supplied by the brake manufacturer (see inside of brake housing or separately enclosed sheet). Contact the brake manufacturer for additional information.

## GROUNDING

**⚠ WARNING**

**ELECTRIC SHOCK can kill.**

- **Connect the motor frame to a good earth ground per the National Electrical Code and local codes to limit the potential to ground in the event of contact between live electrical parts and the metal exterior.**

Lincoln motors may be electrically connected to earth ground using a terminal box mounting screw or a separate grounding screw when provided. Both are accessible inside the mounted terminal box. When a bronze mounting screw is supplied, always use it as the grounding point. In making the ground connection, the installer should make certain that there is a good electrical connection between the grounding lead and the motor.

## 6. OPERATION

Three phase squirrel cage induction motors will operate successfully, but not necessarily in accordance with nameplate ratings, at voltages 10 percent above or below nameplated value at the design frequency.

**⚠ WARNING**

**MOVING PARTS can injure.**

- **Before starting the motor, remove all unused shaft keys and loose rotating parts to prevent them from flying off and causing bodily injury.**
- **Keep away from moving parts.**

**ELECTRIC SHOCK can kill.**

- **Do not operate with covers removed.**
- **Do not touch electrically live parts.**

After checking that the shaft key is secure, operate the motor free of load and check the direction of rotation. If the motor rotates in the wrong direction, interchange any two supply leads.

Couple the motor to its load and operate it for a minimum of one hour. During this period, check for any unusual noise or thermal conditions. Check the actual operating current to be sure that the nameplate current times service factor is not exceeded for steady continuous loads.

## 7. MAINTENANCE

**⚠ WARNING**

**ELECTRIC SHOCK can kill.**

- **Internal parts of the motor may be at line potential even when it is not rotating.**
- **Disconnect all input power to the drive and motor before performing any maintenance.**

Lincoln motors have been designed and manufactured with long motor life expectancy and trouble-free operation in mind.

Periodically inspect the motor for excessive dirt, friction or vibration. Dust may be blown from an inaccessible location using compressed air. Keep the ventilation openings clear to allow free passage of air. Make sure the drain holes in the motors are kept open and the shaft slinger is positioned against the end bracket. Grease or oil can be wiped by using a petroleum solvent.

Overheating of the bearings caused by excessive friction is usually caused by one of the following factors:

1. Bent shaft.
2. Excessive belt tension.
3. Excessive end or side thrust from the gearing, flexible coupling, etc.
4. Poor alignment.

Damaging vibrations can be caused by loose motor mountings, motor misalignment resulting from the settling or distortion of the foundation, or it may be transmitted from the driven machine. Vibration may also be caused by excessive belt or chain tension.

### BEARING SYSTEM

Lincoln motors have a high quality, premium design bearing system. Bearing sizes and enclosures are identified on most motor nameplates. The majority are double-shielded, deep-groove ball bearings. Double-sealed ball bearings are used on some motors in frames 56 and 143T thru 145T. A drive-end cylindrical roller bearing is standard on Crusher Duty motors, frames 405T and larger.

**Lubrication instructions and/or grease specifications provided on the motor supersede the following information.**

In general, the motor's bearing system has sufficient grease to last indefinitely under normal service conditions. For severe or extreme service conditions, it is advisable to add one-quarter ounce of grease to each bearing per the schedule listed in Table 2. Use a good quality, moisture-resistant, polyurea-based grease such as Chevron SRI #2. Lithium based greases are not compatible with polyurea-based greases; mixing the two types may result in the loss of lubrication.

Motors designed for low ambient applications have bearings with special low temperature grease. Use Beacon 325 lithium based grease or equivalent per the appropriate interval in Table 2.

Motors designed for high ambient applications have bearings with special high temperature grease. Use Dow Corning DC44 silicone grease or equivalent per the interval in Table 2 under "Extreme".

**Severe Service:** Operating horizontally, 24 hours per day, vibration, dirty, dusty, high humidity, weather exposure, or ambient temperatures from 104-130°F (40-55°C).

**Extreme Service:** Operating vertically, heavy vibration or shock, heavy duty cycle, very dirty or ambient temperatures from 130-150°F (55-65°C).

Table 2 : Bearing Lubrication Intervals

Motor Syn Speed	Motor Horsepower	Service Conditions	
		Severe	Extreme
<b>BALL BEARINGS</b>			
1800 RPM and slower	1/4 to 7-1/2 HP	2 years	6 months
	10 to 40 HP	1 year	3 months
	50 HP and up	6 months	3 months
above 1800 RPM	all sizes	3 months	3 months
<b>ROLLER BEARINGS</b>			
all speeds	all sizes	3 months	3 months

When adding lubricant, keep all dirt out of the area. Wipe the fitting completely clean and use clean grease dispensing equipment. More bearing failures are caused by dirt introduced during greasing than from insufficient grease.

If the motor is equipped with a relief port or tube, make certain it is open and free of caked or hardened grease. Before replacing relief plugs, allow excess grease or pressure to vent by running the motor for several minutes after lubrication.

**⚠ CAUTION**

- LUBRICANT SHOULD BE ADDED AT A STEADY MODERATE PRESSURE. IF ADDED UNDER HEAVY PRESSURE BEARING SHIELD(S) MAY COLLAPSE.
- DO NOT OVER GREASE.

**PARTS**

All parts should be ordered from Authorized Motor Warranty Stations. Call your Lincoln Motors Sales Office for location and phone number. A "Service Directory" listing all Authorized Motor Warranty Stations by geographic location is available; request Bulletin SD-6. These shops stock GENUINE Lincoln replacement parts and have factory trained personnel to service your motor.

**8. WHO TO CALL**

For the location and phone number of the Lincoln Motors District Sales Office nearest you, check your local Yellow Pages or call 1-800-MOTOR-4-U (1-800-668-6748) or visit our web site at [www.lincolnmotors.com](http://www.lincolnmotors.com).



**LINCOLN MOTORS**  
 Cleveland OH 44117-2525 USA

Tel: 1-800-MOTOR-4-U (668-6748)  
 Fax: 1-888-536-6867  
 Web: [www.lincolnmotors.com](http://www.lincolnmotors.com)  
 E-Mail: [mailbox@lincolnmotors.com](mailto:mailbox@lincolnmotors.com)

IM566-A December 1999

**9. WARRANTY**

Lincoln Motors, the Seller, warrants all new *standard* motors and accessories thereof against defects in workmanship and material provided the equipment has been properly cared for and operated under normal conditions. All warranty periods begin on the date of shipment to the original purchaser. Warranty periods for **low voltage (< 600 V)** motors are defined in the following chart. The warranty period for **medium voltage (> 600 V)** motors is one year on sine-wave power. Contact Lincoln for warranty period on PWM power.

Model Number Prefix	Efficiency Code(s)	Frame Sizes	Warranty Period	
			Sine-Wave Power	PWM Power
AA, AF, AN	S, P, B	143T-286T	5 Yrs	2 Yrs*
CF, SD	M	143T-215T	2 Yrs	1 Yr
CF, CN, CS, CP	E, H, P, B	143T-449T	5 Yrs	2 Yrs*
		182U-449U	5 Yrs	2 Yrs*
C5, C6	H, P	M504-689	3 Yrs	Contact Lincoln #
MD, SE	S	284T-445T	5 Yrs	1 Yr
RC, RJ, SC	H	56-145T	5 Yrs	2 Yrs*
RD, RF	S	56-56H	5 Yrs	2 Yrs*
REW, SEW	S	56-256T	1 Yr	1 Yr
SD, SF	S, H, P, B	143T-449T	5 Yrs	2 Yrs*
Field Kits and Accessories			5 Yrs	

\* Applies to motors with a service factor of 1.15 or higher. Motors with a 1.0 service factor have a 1 year warranty on PWM power.

If the Buyer gives the Seller written notice of any defects in equipment within any period of the warranty and the Seller's inspection confirms the existence of such defects, then the Seller shall correct the defect or defects at its option, either by repair or replacement F.O.B. its own factory or other place as designated by the Seller. The remedy provided the Buyer herein for breach of Seller's warranty shall be exclusive.

No expense, liability or responsibility will be assumed by the Seller for repairs made outside of the Seller's factory without written authority from the Seller.

The Seller shall not be liable for any consequential damages in case of any failure to meet the conditions of any warranty. The liability of the Seller arising out of the supplying of said equipment or its use by the Buyer, whether on warranties or otherwise, shall not in any case exceed the cost of correcting defects in the equipment in accordance with the above guarantee. Upon the expiration of any period of warranty, all such liability shall terminate.

The foregoing guarantees and remedies are exclusive and except as above set forth there are no guarantees or warranties with respect to accessories or equipment, either expressed or arising by option of law or trade usage or otherwise implied, including with limitation the warranty of merchantability, all such warranties being waived by the Buyer.

# - indicates change since last printing.



## **APPENDIX V**

**Oilgear  
Type PVWJ  
Pump Manuals**



# OILGEAR TYPE "PVWJ" PUMPS - PVWJ-011/-014/-022/-025/-034/-046/-064/ -076/-098/-130 SERVICE INSTRUCTIONS

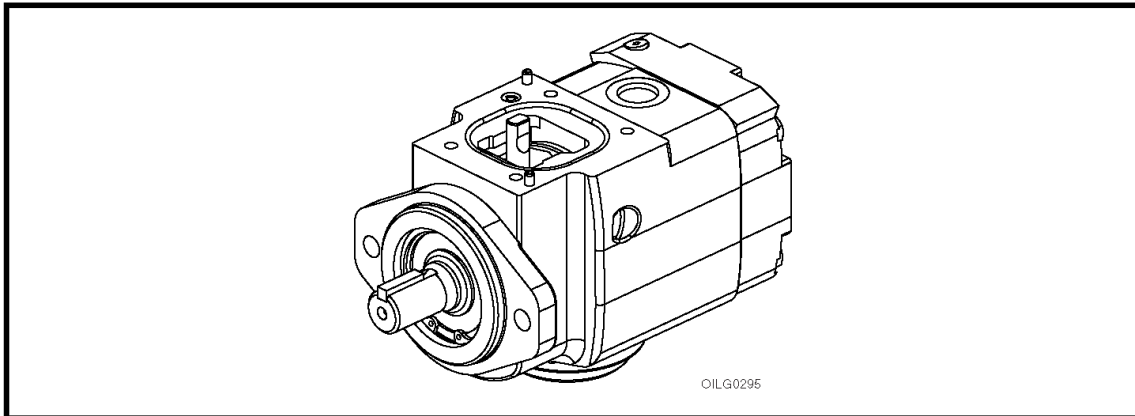


Figure 1. Typical Oilgear "PVWJ" Open Loop Pump

## PURPOSE OF INSTRUCTIONS

These instructions will simplify the installation, operation, maintenance and troubleshooting of Oilgear type "PVWJ" pumps.

Become familiar with the construction, principle of operation and characteristics of your pump to help you attain satisfactory performance, reduce shut-down and increase the pump's service life. Some pumps have been modified from those described in this bulletin and other changes may be made without notice.

## REFERENCE MATERIAL

Fluid Recommendations .....	Bulletin 90000
Contamination Evaluation Guide.....	Bulletin 90004
Filtration Recommendations .....	Bulletin 90007
Piping Information .....	Bulletin 90011
Proper Installation of Vertical Pumps .....	Bulletin 90014
Alternate Remote Compensating of Single/Multiple Load Sense Pumps .....	DS-47974-A
PVWJ Open Loop Pumps, Application Guidelines.....	Bulletin 847085
PVWJ Open Loop Pumps, Sales .....	Bulletin 47085

(continued)

## **PVWJ BASIC PUMP INSTALLATIONS**

PVWJ A Frame (PVWJ-011/-014/-022) w/ Rear Ports.....	DS-47480
PVWJ A Frame (PVWJ-011/-014/-022) w/ Side Ports .....	DS-47481
PVWJ A Frame (PVWJ-011/-014/-022) w/ Side Ports & Thru Shaft.....	DS-47482
PVWJ B Frame (PVWJ-025/-034/-046) w/ Rear Ports.....	DS-47483
PVWJ B Frame (PVWJ-025/-034/-046) w/ Side Ports .....	DS-47484
PVWJ B Frame (PVWJ-025/-034/-046) w/ Side Ports & Thru Shaft.....	DS-47485
PVWJ C Frame (PVWJ-064) w/ Rear Ports.....	DS-47486
PVWJ C Frame (PVWJ-064) w/ Side Ports & w/ or w/o Thru Shaft.....	DS-47487
PVWJ C Frame (PVWJ-076/-098/-130) w/ Rear Ports .....	DS-47488
PVWJ C Frame (PVWJ-076/-098/-130) w/ Side Ports & w/ or w/o Thru Shaft .....	DS-47489

## **PVWJ PUMP CONTROL INSTRUCTIONS**

“P-1NN” and “P-LNN” Pressure Compensator for PVWJ-011/-014/-022 .....	Bulletin 947633
“P-1NN” and “P-LNN” Pressure Compensator for PVWJ-025/-034/-046 .....	Bulletin 947634
“P-1NN” and “P-LNN” Pressure Compensator for PVWJ-064/-076/-098/-130 ..	Bulletin 947635
“P-1NN/F” and “P-LNN/F” Pressure Compensator w/ Load Sense for PVWJ-011/-014/-022 .....	Bulletin 947636
“P-1NN/F” and “P-LNN/F” Pressure Compensator w/ Load Sense for PVWJ-025/-034/-046 .....	Bulletin 947637
“P-1NN/F” and “P-LNN/F” Pressure Compensator w/ Load Sense for PVWJ-064/-076/-098/-130 .....	Bulletin 947638
“P-CNN” and “P-KNN” Soft Start Pressure Compensator for PVWJ-011/-014/-022 .....	Bulletin 947639
“P-CNN” and “P-KNN” Soft Start Pressure Compensator for PVWJ-025/-034/-046 .....	Bulletin 947640
“P-CNN” and “P-KNN” Soft Start Pressure Compensator for PVWJ-064/-076/-098/-130 .....	Bulletin 947641
Dual Pump Adapters for PVWJ Pumps (all sizes) .....	DS-47490
Alternate Remote Compensating of Single or Multiple Load Sense Pump .....	DS-47974-A

## **PVWJ PUMP CONTROL INSTALLATIONS**

“P-1NN” and “P-LNN” Pressure Compensator for PVWJ-011/-014/-022 .....	DS-47984
“P-1NN” and “P-LNN” Pressure Compensator for PVWJ-025/-034/-046 .....	DS-47985
“P-1NN” and “P-LNN” Pressure Compensator for PVWJ-064/-076/-098/-130 .....	DS-47986
“P-1NN/F” and “P-LNN/F” Pressure Compensator w/ Load Sense for PVWJ-011/-014/-022 .....	DS-47987
“P-1NN/F” and “P-LNN/F” Pressure Compensator w/ Load Sense for PVWJ-025/-034/-046 .....	DS-47988
“P-1NN/F” and “P-LNN/F” Pressure Compensator w/ Load Sense for PVWJ-064/-076/-098/-130 .....	DS-47989
“P-CNN” and “P-KNN” Soft Start Pressure Compensator for PVWJ-011/-014/-022 .....	DS-47990
“P-CNN” and “P-KNN” Soft Start Pressure Compensator for PVWJ-025/-034/-046 .....	DS-47991
“P-CNN” and “P-KNN” Soft Start Pressure Compensator for PVWJ-064/-076/-098/-130 .....	DS-47992
PVWJ Remote Circuit Drawing “P-1NN/F” or “P-LNN/F” Single Pressure w/ Load Sense Control .....	DS-47491



Read and understand this entire instruction sheet before repairing, or adjusting your Oilgear product.

Those who use and maintain this equipment must be thoroughly trained and familiar with the product. If incorrectly used or maintained, this product and its equipment can cause severe injury.

### SAFETY SYMBOLS

The following signal words are used in this instruction sheet to identify areas of concern where your safety may be involved. Carefully read the text and observe any instructions provided to ensure your safety.

#### **DANGER**

THIS SIGNAL WORD INDICATES AN IMMEDIATELY HAZARDOUS SITUATION WHICH, IF NOT AVOIDED, WILL RESULT IN DEATH OR SERIOUS INJURY.

#### **WARNING**

This signal word indicates a potentially hazardous situation which, if not avoided, could result in death or serious injury.

#### **CAUTION**

This signal word indicates that a potentially hazardous situation exists which, if not avoided, may result in damage to equipment or minor personal injury.

**NOTE** *While not directly relevant to the topic being discussed, the NOTE is used to emphasize information provided, or provide additional information which may be of benefit.*

#### **WARNING**

This service information is designed for the maintenance of your Oilgear product. It contains the information on the correct procedures determined by Oilgear for the safe manner of servicing. Always keep this instruction sheet in a location where it is readily available for the persons who use and maintain the product. Additional copies of this instruction sheet are available through the Oilgear Company. Contact us at 414-327-1700 or visit our website: [www.oilgear.com](http://www.oilgear.com). Please contact us if you have any questions regarding the information in this instruction bulletin.

#### **NOTE**

*The cleanliness of working on this pump or the hydraulic system is extremely important to the safety and reliability of the pump and the system. Always make sure the fittings are clean on the outside before removing them from their connections, are capped and plugged when removed and placed in a clean rag or container until they are reinstalled.*

#### **WARNING**

Some service operations may require special tools or equipment. If you require information on these items, please contact Oilgear before attempting these repairs and service operations.

#### **WARNING**

Read, understand, and follow the safety guidelines, dangers, and warnings contained in this instruction sheet to promote reliable operation and prevent serious personal injury.

#### **WARNING**

DO NOT attempt to service this machinery in an environment where safety regulations are not established and in place.

#### **WARNING**

DO NOT operate the hydraulic system if a leak is present. Serious injury may result.

#### **WARNING**

Hydraulic systems operate under very high-pressure. Hydraulic fluid escaping from a pressurized system can penetrate unprotected body tissue. DO NOT inspect for hydraulic leaks with bare hands or other exposed body parts. As a minimum, wear leather gloves prior to inspecting for leaks and use cardboard or wood. If leaks are present, relieve pressure and allow system to cool prior to servicing. If injured by escaping hydraulic oil, contact a physician immediately. Serious complications may arise if not treated immediately. If you have questions regarding inspecting for hydraulic leaks, please contact Oilgear prior to servicing.

### **WARNING**

Hydraulic hoses and tubing must be inspected on a daily basis for leaks, cuts, abrasions, damage and improper clearance along any mounting frame for hidden damage before the unit is put into service. Replace damaged hoses or hoses you suspect are damaged before the system is returned to service! Hoses must be replaced every two years. Failure to properly inspect and maintain the system may result in serious injury.

### **WARNING**

Hydraulic systems are hot. DO NOT TOUCH! Serious personal injury may result from hot oil. When you have completed working on the hydraulic system, thoroughly clean any spilled oil from the equipment. Do not spill any hydraulic fluids on the ground. Clean any hydraulic fluids from your skin as soon as you have completed maintenance and repairs. Dispose of used oil and system filters as required by law.

### **WARNING**

Use correct hoses, fittings, and adapters with the correct SAE rating when replacing hoses to prevent possible serious injury. Always replace hoses, fittings, and adapters with replacements that have a proper, suitable, working pressure rating. Replacement hoses must be of the correct length and must comply with the hose manufacturer's and Oilgear's installation guidelines and recommendations.

### **WARNING**

Hydraulic hoses have the SAE ratings marked on the hose to assist you in selecting the correct hose. The same manufacturer must supply any replacement hydraulic hoses and fitting assemblies. As an example: Brand "X" hose and brand "Y" fitting will not normally be compatible. No "Twist" is allowed in the hydraulic hoses. "Twist" may result in premature hose failure. This can cause serious injury. Please contact Oilgear for assistance when required.

### **WARNING**

Hydraulic cylinders can be holding a function in a certain position when the pump is OFF. An example of this is a function being held in the lift or partial lift position by the cylinders. If a hydraulic line is removed or the hydraulic circuits or controls are being worked on, gravity may allow the function being held in position to drop. All workers and personnel must remain clear of these areas when working on or operating the hydraulic system. Block and secure all devices and functions which apply before beginning work or operation. Failure to comply with this can result in serious injury or death.

### **WARNING**

Any hydraulic pipe which is replaced must conform to SAE J1065 specifications. If incorrect hydraulic pipe is installed, the hydraulic system may fail, causing serious injury. Damaged or leaking fittings, pipes or hoses must be replaced before the system is returned to service.

### **WARNING**

DO NOT heat hydraulic pipe. The carbon content of this steel tube is such that if heated for bending, and either water or air quenched, the pipe may lose its ductility and thereby be subject to failure under high-pressure conditions. Serious injury can result. Damaged or leaking pipes must be replaced before the system is returned to service. Please contact Oilgear if you require assistance or have questions.

### **WARNING**

All hydraulic pressure must be relieved from the hydraulic system prior to removing any components from the system. To relieve the hydraulic pressure from the hydraulic system, turn off the motor and operate the control panel with the key in the ON position. Failure to comply can result in serious injury. If you have any questions concerning relieving the hydraulic pressure from the system, please contact Oilgear.

**⚠ WARNING**

Hydraulic components can be heavy. Use caution while lifting these components. Serious personal injury can be avoided with proper handling of the components.

**⚠ WARNING**

Please contact Oilgear if you require assistance, when performing hydraulic test procedures, use the proper hydraulic test gauges. Installing an incorrect test gauge could result in serious injury if the gauge fails. Use properly rated hydraulic hoses to allow the test gauge to be read away from moving parts and functions.

**⚠ WARNING**

Increasing hydraulic pressure beyond the recommendations may result in serious damage to the pump and system or serious personal injury and may void the Oilgear Warranty. If you have questions concerning hydraulic pressures or testing procedures, please contact Oilgear before attempting the test procedures or making adjustments.

**⚠ WARNING**

An Oilgear pump or pump control must not be modified in any way without authorization from Oilgear. Modifications may not comply with safety standards, including ANSI safety standards, and may result in serious personal injury. Please contact Oilgear if you require assistance.

**⚠ WARNING**

DO NOT enter under hydraulic supported equipment unless they are fully supported or blocked. Failure to follow this procedure can result in serious injury or death.

**⚠ WARNING**

Any Oilgear pump safety decals must be replaced anytime they are damaged, missing, or cannot be read clearly. Failure to have proper decals in place can result in serious injury or death. (If you require safety decals, please contact Oilgear for replacement safety decals, at no charge.)

**⚠ WARNING**

Be sure everyone is clear of the area around the hydraulic system before operating after servicing. Remain attentive at all times when operating to check your work until you are completely sure it is safe to return to service. Failure to heed this warning may result in serious personal injury or death.

**⚠ WARNING**

Wear the proper protective clothing when operating, servicing or maintaining the hydraulic system or the Oilgear pump. Wear the correct protective gear, safety glasses, gloves, and safety shoes. Serious injury can result without proper protective gear.

**⚠ WARNING**

Make sure to keep hands and feet and other parts of your body clear of revolving or moving parts. Failure to comply can cause serious injury.

**⚠ WARNING**

DO NOT wear watches, rings, or jewelry while working with electrical and mechanical equipment. These items can be hazardous and can cause serious and painful injuries if they come into contact with electrical wires, moving parts, or hydraulic equipment.

### PREPARATION AND INSTALLATION

#### MOUNTING

Pump Without Reservoir - The pump can be mounted in any position. But, the recommended mounting position is with the drive shaft on a horizontal plane and the case drain port 1 on the top side. Secure the pump to a rigid mounting surface. Refer to the referenced Oilgear Piping Information Bulletin 90011.

Pump With Reservoir - These pumps are usually fully piped and equipped. It may be necessary to connect to a super-charge circuit when used. Mount reservoir on level foundation with the reservoir bottom at least 6 inches (152 mm) above floor level to facilitate fluid changes.

#### PIPING AND FITTINGS

Refer to the referenced Oilgear Piping Information Bulletin 90011 and individual circuit diagram before connecting the pump to the system. Inlet velocity must not exceed 5 fps (1,5 mps). Inlet should be unrestricted and have a minimum of fittings.

#### NOTE

*DO NOT use an inlet strainer.*

Arrange line from "case drain" so the case remains full of fluid (non-siphoning). Case pressure must be less than 25 psi (1,7 bar). For higher case pressures and the special shaft seals required, contact our Customer Service. Each drain line must be a separate line, unrestricted, full sized and connected directly to the reservoir below the lowest fluid level. Make provisions for opening this line without draining (siphoning) reservoir.

#### WARNING

Running the pump in NEUTRAL position (zero delivery) for extended periods without a supercharge circuit can damage the pump. The system and pump must be protected against overloads by separate high-pressure relief valves. Install bleed valve(s) at the highest point(s) in system.

#### POWER

Power is required in proportion to volume and pressure used. Motor size recommendations for specific applications can be obtained from The Oilgear Company. Standard low starting torque motors are suitable for most applications.

#### CAUTION

**DO NOT start or stop unit under load unless system is approved by Oilgear. It may be necessary to provide delivery bypass in some circuits.**

#### DRIVE

Verify rotation direction plate on the pump's housing. Clockwise pumps must be driven clockwise and counterclockwise pumps must be driven counterclockwise. Use direct drive coupling. Size and install coupling per manufacturer's instructions.

#### CAUTION

**DO NOT drive the coupling onto the pump drive shaft. If it is too tight, it may be necessary to heat coupling for installation. Refer to manufacturer's instructions.**

Misalignment of pump shaft to driver's shaft should not exceed 0.005 inches (0,13 mm) Total Indicator Readout (TIR) in any plane.

## FILTRATION

Keep the fluid clean at all times to ensure long life from your hydraulic system. Refer to the referenced Oilgear Filtration Recommendations bulletin 90007 and Oilgear Contamination Evaluation Guide Bulletin 90004. Oilgear recommends use of a filter in the pressure or return line. Replace filter element(s) when the filter condition indicator reaches change area at normal fluid temperature. Drain and thoroughly clean filter case. Use replacement element(s) of same beta 10 ratio (normally a ratio of 4 with hydraulic oils).

## FLUID COOLING

When the pump is operated continuously at the rated pressure or frequently at peak load, auxiliary cooling of the fluid may be necessary. Fluid temperature should not exceed limits specified in the referenced Oilgear Fluid Recommendations Bulletin 90000.

## AIR BREATHER

On most installations, an air breather is mounted on top of fluid reservoir. It is important for the breather to be the adequate size to allow air flow in and out of reservoir as fluid level changes. Keep the breather case filled to the "fluid level" mark. About once every six months, remove cover, wash screen in solvent and allow screen to dry, clean and refill case to level mark and install screen. Refer to the manufacturer's recommendations.

## FLUID, FILLING AND STARTING RECOMMENDATIONS

Refer to instruction plate on the unit, reservoir, machine and/or reference, fluid recommendations bulletin. Fire resistant fluids and phosphate ester fluids can be used in accordance with fluid manufacturer's recommendations.

1. Pump all fluid into reservoir through a clean (beta 10 ratio of 4 or more) filter. Fill reservoir to, but not above, "high level" mark on the sight gauge.
2. **Remove case drain line and fill pump case with hydraulic fluid.**
3. Turn drive shaft a few times by hand with a spanner wrench to make sure parts rotate.

Unit	Approximate torque to turn drive shaft
-011/-014/-022	1.7-2.1 ft·lbs (2,3-2,8 N·m)
-025/-034/-046	2.9-3.3 ft·lbs (4,0-4,5 N·m)
-064/-076/-098/-130	7.9-8.3 ft·lbs (18,8-11,3 N·m)

Table 1. Torque to Turn Shaft

With pump under "no load" or with pump control at NEUTRAL:

4. Turn drive unit ON and OFF several times before allowing pump to reach full speed. The system can usually be filled by running the pump and operating the control.
5. The fluid level in the reservoir should decrease. Stop the pump. **DO NOT** allow the fluid level to go beyond the "low level." If the level reaches the "low level" mark, add fluid and repeat step.

### NOTE

*With differential (cylinder) systems, the fluid must not be above "high level" when the ram is retracted or below "low level" when extended. Bleed air from the system by loosening connections or opening petcocks at the highest point in the system. Close connections or petcocks tightly when solid stream of fluid appears.*

## SPECIFICATIONS

**NOTE**

Refer to reference material, pump control material and individual application circuit for exceptions.

FRAME	UNIT	THEORETICAL MAXIMUM DISPLACEMENT		RATED CONTINUOUS PRESSURE		MAXIMUM PRESSURE		FLOW RATE at 1800 rpm, rated continuous pressure and 14.7 psia (1.0 bar) inlet condition		MAXIMUM INLET PRESSURE* psia (bar)			MAXIMUM SPEED**	POWER INPUT at rated continuous pressure & 1800 rpm	
		in <sup>3</sup> /rev	ml/rev	psi	bar	psi	bar	gpm	l/mi	1200 rpm	1500 rpm	1800 rpm		rpm	hp
A	011	0.66	10,8	5000	344,8	5800	400,0	4.2	15,9	5.4 (.37)	5.7 (.39)	6.1 (.42)	3000	16.3	12,2
	014	0.86	14,1	4000	275,9	4500	310,3	5.9	22,4	5.5 (.38)	5.9 (.41)	6.4 (.44)	3000	17.7	13,2
	022	1.35	22,1	3000	206,9	3500	241,4	9.5	36,0	5.5 (.38)	6.0 (.41)	7.0 (.48)	3000	20.2	15,1
B	025	1.55	25,4	5000	344,8	5800	400,0	10.9	41,3	7.0 (.48)	7.3 (.50)	8.2 (.57)	3000	36.5	27,2
	034	2.06	33,8	3500	241,4	4000	275,9	14.7	55,7	7.0 (.48)	7.6 (.52)	8.4 (.58)	3000	35.5	26,5
	046	2.83	46,4	2500	172,4	3000	206,9	20.6	78,1	7.2 (.50)	7.9 (.54)	9.0 (.62)	2400	35.0	26,1
C	064	3.88	63,6	5000	344,8	5800	400,0	27.4	103,8	7.6 (.59)	8.5 (.59)	9.5 (.66)	2400	95.1	70,9
	076	4.67	76,5	3500	241,4	4000	275,9	33.7	127,7	8.0 (.55)	8.6 (.59)	9.6 (.66)	2400	80.4	60,0
	098	6.00	98,3	2500	172,4	3000	206,9	43.3	164,1	7.6 (.52)	8.6 (.59)	9.8 (.68)	2400	74.1	55,3
	130	7.94	130,2	1500	103,4	2000	137,9	58.2	220,3	8.0 (.55)	9.3 (.64)	14.5 (1,00)	1800	64.0	47,8

\* For higher speeds see suction curves.

\*\* Minimum speed 600 rpm

Case pressure should be less than 25 psi (1,7 bar). For higher pressure, consult factory.  
Higher speeds available - consult factory.

**Table 2. Nominal Performance Data with 150-300 SSU viscosity fluids.**

Frame	Unit	Length		Width		Height		Weight	
		inches	mm	inches	mm	inches	mm	lbs.	kg
A	011/-014/-022	7.20	182,9	4.32	109,7	4.50	114,3	32	14,5
B	025/-034/-046	8.50	215,9	5.80	147,3	6.11	155,2	68	30,9
C	064/-076/-098/-130	10.44	265,2	6.76	171,7	7.18	182,4	103	46,8

All dimensions (without controls) are for rear ported units. For dimensions of other configurations, contact your Oilgear Representative or see the appropriate Data Sheet.

**Table 3. Nominal Dimensions and Weights without controls.**

Refer to installation drawings for more detailed dimensions and port configurations.

## TROUBLESHOOTING

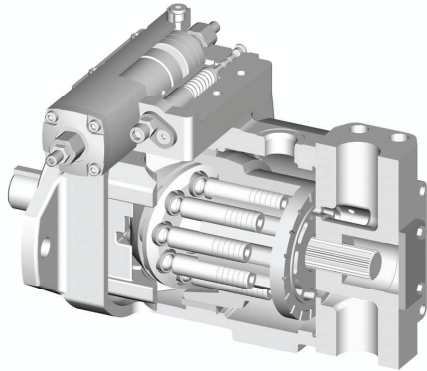
PROBLEM	CAUSES	REMEDY
<b>Unresponsive or Unstable Control</b>	Swashblock (201) bearing surface and/or saddle bearings (204) worn or damaged.	Inspect and replace if necessary.
	Control pin (721) and/or hole in swashblock (201) worn significantly.	
	Saddle bearing locating pins (207) broken.	
	Fluid is contaminated.	Inspect and clean if necessary. See bulletin 90007.
	Control piston orifice plugged.	See appropriate control service bulletin.
	Contamination trapped between control piston and piston bore is not allowing piston to move smoothly.	
	Contamination trapped between control spool and spool bore is not allowing spool to move smoothly.	
	Faulty remote pressure compensator circuit components.	Inspect and replace if necessary.
	Hydraulic line between remote pressure compensator components and RP port of control is too long.	Shorten line length.
	Insufficient control flow.	Increase size of control piston orifice (732).
<b>Insufficient Outlet Volume</b>	Swashblock (201) not stroking to desired displacement.	Inspect for obstruction and remove. Replace worn or damaged parts.
	Low input drive speed.	Refer to appropriate pump performance specifications.
	Worn or grooved cylinder barrel (101) and/or valve plate (401) mating surfaces.	Inspect and replace if necessary.
	Failed drive shaft (301).	
	Worn or damaged piston shoes (102) or swashblock (201).	
	Worn pistons and/or piston bores.	
	Excessive wear or inadequately supported hydrodynamic bearing (202).	Adjust maximum volume stop CCW to increase outlet flow.
	Maximum volume stop adjusted incorrectly.	
	Control piston stuck off stroke.	See appropriate control service bulletin.
Pressure compensator is set too close to operating pressure.		
<b>De-strokes at Low Pressure</b>	Pressure compensator adjustment not set correctly.	See appropriate control service bulletin.
	Control piston orifice (732) plugged.	
	Damaged or fractured control spring.	
	Severely worn control spool and/or spool bore.	
	Damaged or fractured control piston spring.	
Faulty remote pressure compensator circuit components.		
<b>Excessive Peak Pressure</b>	Pressure compensator is set too high.	See appropriate control service bulletin.
	Minimum volume stop is set too high.	Inspect and clean if necessary. See bulletin 90007.
	Fluid is contaminated.	
	Swashblock (201) bearing surface and/or saddle bearings (204) worn or damaged.	Inspect and replace if necessary.
	Contamination trapped between control piston and piston bore is not allowing piston to move smoothly.	See appropriate control service bulletin.
	Contamination trapped between control spool and spool bore is not allowing spool to move smoothly.	
	Hydraulic line between remote pressure compensator components and RP port of control is too long.	Shorten line length.
	Faulty remote pressure compensator circuit components.	Inspect and replace if necessary.
Restriction in drilled passages between pump outlet port and control spool.	Inspect and clean if necessary.	

<b>Excessive Heating</b>	Operating pump above rated or peak pressure.	Consult appropriate pump specification for pressure limitations.
	Low fluid level in reservoir.	Verify fluid level is above reservoir suction line.
	Insufficient pump inlet pressure.	Eliminate any obstructions or other pressure drops in pump inlet plumbing. Consult appropriate pump specification for inlet pressure requirements.
	Air entering pump inlet plumbing.	Eliminate leaks that would allow air to enter the fluid stream.
	Worn pistons (102) or cylinder barrel (101).	Inspect and replace if necessary.
	Worn or damaged cylinder barrel (101) and/or valve plate (401) mating surfaces.	
	Faulty circuit components (continuously blowing relief valve or a high-pressure leak).	Eliminate leak or replace faulty components.
	Insufficient cooling provisions.	Inspect heat exchanger for obstructions and remove.
Reservoir is too small.	Consult Bulletin 90050-B, Reservoir Design.	
<b>Excessive Noise</b>	Pump stopped or started incorrectly under load.	Verify operator procedure.
	Low fluid level in reservoir.	Verify fluid level is above reservoir suction line.
	Air entering pump inlet plumbing.	Eliminate leaks that would allow air to enter the fluid stream.
	Broken shoe/piston assembly (102).	Inspect and replace if necessary.
	Worn or damaged cylinder barrel (101) and/or hydrodynamic bearing (202) running surface.	
	Faulty circuit components (continuously blowing relief valve or a high-pressure leak).	Eliminate leak or replace faulty components.
	Insufficient pump inlet pressure.	Consult appropriate pump specification for inlet pressure requirements.
	Excessive fluid viscosity.	Consult Application Guidelines (Bulletin 847085) for maximum viscosity limitations.
	Insufficient pump inlet pressure.	Eliminate any obstructions or other pressure drops in pump inlet plumbing. Consult appropriate pump specification for inlet pressure requirements.
Pump input shaft rotating in wrong direction.	Inspect and correct drive rotation.	



## PRINCIPLE OF OPERATION

The illustrations show the pump driven clockwise (right hand) from the top (plan) view.



OILG0294

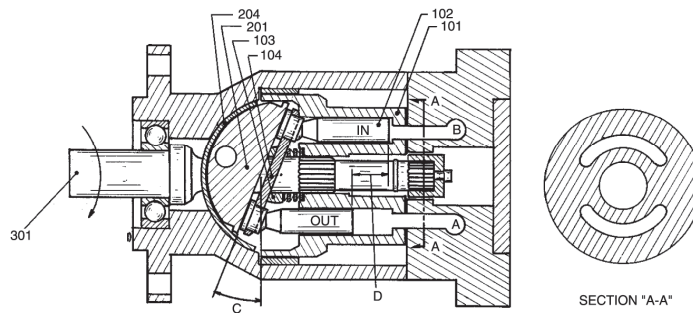
**Figure 2. Cut-a-way of a Typical “PVWJ” Pump with Typical Control**

## Position B, Pump During Full Delivery FROM PORT B - Figure 3

Rotating the drive shaft (301) clockwise turns the splined cylinder, which contains the pumping pistons (102). When the cylinder rotates, the pistons move in and out within their bores as the shoes ride against the angled (C) swashblock (201).

As the cylinder rotates, the individual piston bores are connected, alternately, to the crescent shaped upper (port A) and lower (port B) in the valve plate. While connected to the upper side (suction) port A, each piston moves outward OUT, drawing fluid from port A into the piston bore until its outermost stroke (D) is reached. At this point, the piston bore passes from the upper crescent port A to the lower crescent port B.

While rotating across the lower crescent, each piston moves across the angled swashblock face and then each piston is forced inward IN. Each piston then displaces fluid through the lower crescent to port B until its innermost stroke (D) is reached. At this point, the piston bore passes from the lower to the upper crescent again and the cycle is repeated.



OILG-0001

**Figure 3. Position B, Pump During Full Delivery From Port B**

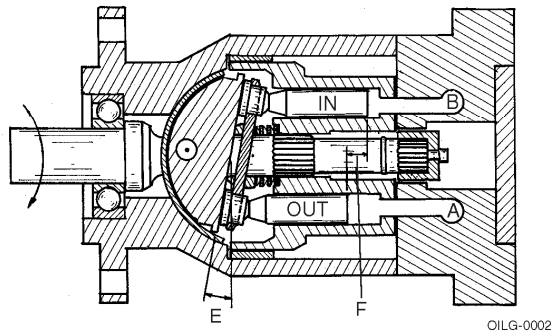
**Position B/2, Pump During One Half Delivery FROM PORT B - Figure 4**

This illustration shows that the angle (E) of the swashblock determines the length of the piston stroke (F), (the difference between outermost and innermost position) which determines the amount of delivery from the pump. In this case, the stroke angle (E) is one-half of the stroke, which means the piston stroke is one-half and the pump delivery is one-half.

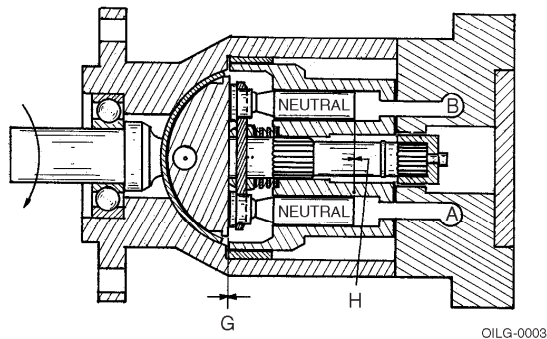
**Position N, Pump In Neutral, No Stroke, No Delivery - Figure 5**

Neutral position results when the control centers the swashblock. The swashblock angle (G) is now zero and swashblock face is parallel to the cylinder face. There is no inward or outward motion of the pump pistons as piston shoes rotate around the swashblock face. With no inward and outward motion or no stroke (H), **NEUTRAL** no fluid is being displaced from the piston bores to the crescents in the valve plate and there is no delivery from pump ports.

**NOTE** Illustration reference numbers match the part item number in the parts list.



**Figure 4. Position B/2, Pump During One Half Delivery From Port B**



**Figure 5. Position N, Pump In Neutral, No Stroke, No Delivery**

## TESTING AND ADJUSTING

### PISTON PUMP

To check for a worn piston pump, make a leak measurement test from the case drain while the pump is under pressure. After the unit is warm, either install a flow meter in the drain line or have the flow from the drain line directed into a large container or reservoir. The pump case must remain full of fluid during this test.

#### WARNING

Shut the pump OFF and release pressure from the system before disassembling components. Failure to comply with these instructions could result in personal injury or death. Blocking the pressure line between the pump and the system (or pump) high-pressure relief valve will result in damage and could result in serious personal injury.

With an accurate high-pressure gauge in the pressure line, start the pump and stall (or block) output device to raise system pressure to maximum (as set by system relief valve). Read the measurement on the flow meter or time and measure the case drain flow used to fill a known size container and calculate the flow rate in terms of cubic inches per minute (cipm). The leakage should conform to **Table 4**.

#### CAUTION

**DO NOT** run a pump on stroke against a blocked output unless it is protected by a high-pressure relief valve and then run no longer than necessary to check slip. Limit discharge to prevent dropping reservoir fluid below low level.

#### NOTE

Increasing shaft speed or a decrease in fluid viscosity will increase leakage. Manually or mechanically de-stroking the pump has a negligible effect on leakage.

#### NOTE

Additional leakage indicates wear, but does not become critical until it impairs performance.

#### NOTE

If testing a unit with a pressure compensator control, make sure the compensator setting is at least 500 psi above the pump outlet pressure to assure the pump is at full stroke.

Unit	Full Stroke Leakage @ Pump Outlet Pressure (psi)											
	1500 psi		2500 psi		3000 psi		3500 psi		4000 psi		5000 psi	
	cipm	lpm	cipm	lpm	cipm	lpm	cipm	lpm	cipm	lpm	cipm	lpm
011	50	2.08	70	1.1	80	1.3	100	1.6	120	2.0	200	3.3
014	90	1.5	120	2.0	140	2.3	165	2.7	200	3.3	-	-
022	120	2.0	170	2.8	200	3.3	-	-	-	-	-	-
025	105	1.7	135	2.2	150	2.4	175	2.9	210	3.4	300	4.9
034	150	2.4	210	3.4	250	4.1	300	4.9	-	-	-	-
046	230	3.8	300	4.9	-	-	-	-	-	-	-	-
064	150	2.4	205	3.4	240	3.9	275	4.5	320	5.2	460	7.6
076	200	3.3	305	5.0	375	6.1	460	7.6	-	-	-	-
098	270	4.4	460	7.6	-	-	-	-	-	-	-	-
130	530	8.7	-	-	-	-	-	-	-	-	-	-

**Table 4. Nominal Case Slip at full stroke and 1800 RPM, fluid viscosity 160 SSU.**

## DISASSEMBLY

### NOTE

The cleanliness of working on this pump or the hydraulic system is extremely important to the safety and reliability of the pump and the system.

When disassembling or assembling the pump, choose a clean, dry, dust and sand-free area where no traces of abrasive particles are in the air which can damage the pump and system. **DO NOT** work near welding, sandblasting, grinding benches or similar conditions.

Always make sure the fittings are clean on the outside before removing them from their connections. Make sure they are capped and plugged when removed. Place them on a clean surface and in a clean rag or container until they are reinstalled. When cleaning parts which have been disassembled, it is important to use **CLEAN** cleaning solvents and allow parts to dry. All tools and gauges should be clean prior to working with the system and use new, **CLEAN**, lint-free rags to handle and dry parts.

### **WARNING**

**DO NOT** attempt to remove or install any components or assembly while the pump and system is running. Always stop the pump, shut **OFF** the power and release pressure from the system before servicing or testing. Be sure provisions have been made so the case drain line can be disconnected from the unit without causing the line to drain (siphon) the reservoir.

1. Disconnect case drain line from port **1** or **1A**.
2. Drain pump case through the remaining (port **1** or **1A**) on the bottom of case. If plugs are inaccessible, it may be necessary to remove the pump from the mounting and drive motor before draining it.
3. After removing the pump from the mounting and before disassembly, cap or plug all ports and clean the outside of unit thoroughly to prevent dust from entering the system. See **Figures 10** and **18**.

### NOTE

Depending on what part or parts are to be inspected, it may not be necessary to completely take apart all assemblies.

### CONTROL GROUP

Refer to the reference material for the information which applies to the control your pump is equipped with. Some force is required to remove the control housing.

1. Remove socket head cap screws.
2. Lift the control group assembly, with control pin, straight up from the top of the pump assembly. The control pin may or may not remain in the swashblock (**201**).
3. Remove control gasket and O-rings from the pump housing.

### VALVE PLATE GROUP

If another pump is coupled to thru-shaft pumps, remove coupling half before removing valve plate.

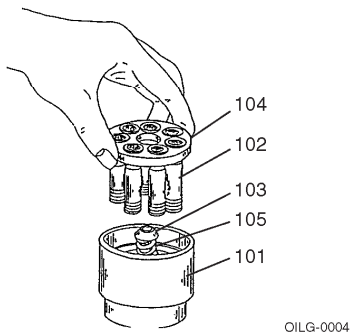
1. Block the pump on a bench with the drive shaft facing down.
2. If applicable, remove relief valve block from valve plate.
3. Remove the valve plate (**401**) by removing four hex head cap screws (**403**) and lifting it straight up.
4. Remove O-rings.

## ROTATING GROUP

### **⚠ WARNING**

The rotating group may be heavy. Be careful not to damage cylinder wear surface which mates against the valve plate, bearing diameters or piston shoes. Use proper lifting techniques and assistance from others to prevent personal injury.

1. Place the pump in a horizontal position.
2. Remove the rotating group by turning shaft (301) slowly, while pulling the cylinder barrel (101) from the housing.
3. Identify (number) each pump piston shoe assembly (102) and its respective bore in the cylinder barrel (101) and shoe retainer (104) for easy reassembly.
4. See **Figure 6**. Lift out shoe retainer (104) with pistons (102) and remove the fulcrum ball (103) and shoe retainer spring (105).



**Figure 6. Rotating Group Disassembly.**

5. Remove retaining ring (208) and pull the hydrodynamic bearing (202) and roll pins, if necessary, (205) from the housing. Note the position of roll pin (205) inside of case.

## DRIVE SHAFT GROUP

1. Remove the drive key (303), if used and the drive shaft bearing retainer ring (305).
2. Grasp outboard end of drive shaft (301) and pull it out of the pump housing.
3. Remove the shaft seal retainer (302) and shaft seal (007) from the housing only if necessary.

## SWASHBLOCK GROUP

1. Reach inside the housing and remove the swashblock (201) and saddle bearings (204).
2. If applicable, remove the saddle block (216) from the housing.

## INSPECTION

Clean all parts thoroughly and allow them to dry. Inspect all seals and O-rings for hardening, cracking or deterioration. Replace if necessary or if you suspect damage. Check all locating pins for damage and springs for cracking or signs of cracking or signs of wear.

### **⚠ WARNING**

Wear proper protective gear when using solvents or compressed air, servicing or maintaining the hydraulic system or the Oilgear pump. Wear correct protective gear, safety glasses, gloves and safety shoes. Serious injury can result without proper protective gear.

## CONTROL GROUP

Refer to the reference material on pump controls. Be sure to carefully check the control pin for cracks and/or signs of fatigue. Check fit of the pin in the swashblock. It should be a slip-fit without side-play. Replace if necessary or if you suspect damage.

## VALVE PLATE GROUP

Inspect the valve plate (401) surface which mates with the cylinder barrel (101) for excessive wear or scoring. Remove minor defects by lightly stoning the surface with a hard stone which is flat to within 0.001 inches (0,025 mm).

**NOTE** *Be sure to stone lightly. Any excessive stoning will remove the hardened surface. If wear or damage is extensive, replace the valve plate.*

## ROTATING GROUP

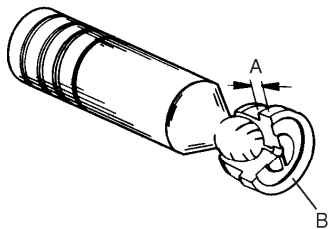
Inspect cylinder barrel (101) piston bores and the face which mate with the valve plate for wear and scoring. Remove minor defects on the face by lightly stoning or lapping the surface.

Inspect the cylinder bearing (202) for damage and replace if necessary. Check all piston and shoe assemblies (102) to be sure they ride properly on the swashblock.

**NOTE** *Be sure to stone lightly. Any excessive stoning will remove the hardened surface. If wear or damage is extensive and defects cannot be removed, replace the cylinder barrel.*

See **Figure 7**. Check each shoe face for nicks and scratches, and the shoe for smooth pivot action on the piston.

**NOTE** *If one or more piston/shoe assembly needs to be replaced, replace all the piston/shoe assemblies. When installing new piston/shoe assemblies or the rotating group, make sure the pistons move freely in their respective bores.*



**Figure 7. Piston and Shoe Inspection**

- (A) All shoes must be equal within 0.001 inches (0,025 mm) at this dimension.
- (B) All shoe faces must be free of nicks.

**NOTE** *End play should not to exceed 0.003 inches (0,076 mm) when new or 0.006 inches (0,152 mm) when worn.*

## SWASHBLOCK GROUP

Inspect the swashblock (201) for wear and scoring. If defects are minor, stone the swashblock lightly. If damage is extensive, replace the swashblock.

Check the small hole in the face of the swashblock. The hole provides "porting" for the hydrostatic balance fluid of the piston/shoe assembly to be channeled through the swashblock to the face of the saddle bearing, providing pressure lubrication.

Compare the saddle bearing (204) thickness in a worn area to thickness in an unworn area. Replace saddle bearings if the difference is greater than 0.015 inches (0,4 mm).

Check the mating surface of swashblock for cracks or excessive wear. The swashblock movement in the saddle bearings must be smooth. Replace if necessary.

**NOTE** *Be sure to stone lightly. Any excessive stoning will remove the hardened surface. If wear or damage is extensive and defects cannot be removed, replace if necessary or if you suspect them of being bad.*

## DRIVE SHAFT GROUP

Check:

- the shaft seal (007) for deterioration or cracks. Replace if necessary (push-out).
- the shaft bearing (306) for galling, pitting, binding or roughness.
- the rear shaft bushing in valve plate.
- the shaft and its splines for wear. Replace any parts necessary.
- for grooving of the shaft where the shaft seal contacts it.

## ASSEMBLY

See **Figures 8, 9 and 10**. Follow the disassembly procedures in reverse for re-assembling the pump.

During assembly, install new seals and O-rings. Apply a thin film of CLEAN grease or hydraulic fluid to sealing components to ease assembly. If a new rotating group is used, lubricate thoroughly with CLEAN hydraulic fluid. Apply fluid generously to all wear surfaces.

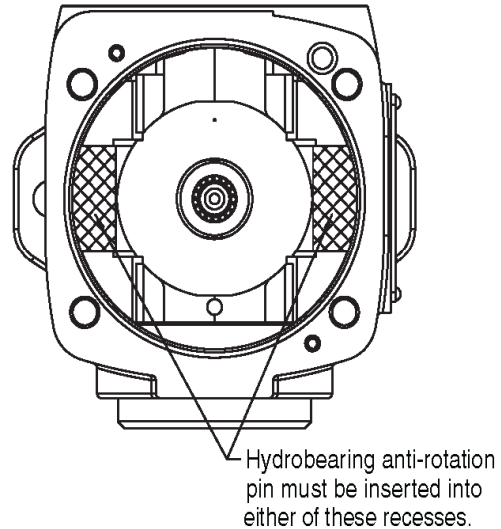
### SWASHBLOCK GROUP

If removed,

1. Press shaft seal (007) into front of pump housing.
2. Place housing on a bench with the mounting flange side down.
3. If applicable, install the saddle block (216) into the housing. Make sure the anti-rotating pin (217) aligns the saddle block correctly.
4. Grease the back side of each saddle bearing (204) and place on the pin to locate the bearings in the pump case. Make sure the pins do not protrude.
5. Insert swashblock (201) into the pump housing. Once in place, be sure the swashblock swivels in the saddle bearings. With new bearings, swiveling may be stiff and not always smooth.
6. Make sure the roll pin (205) is inserted into the cylinder bearing (202). Position the cylinder bearing so the pin is located at the same location as it was when the pump was disassembled. The bearing should fit into place with a little difficulty and be square to the axis of the pump.
7. Tap bearing into place if necessary using extreme care not to damage the bearing.
8. Insert retaining ring (208) to hold bearing in place.

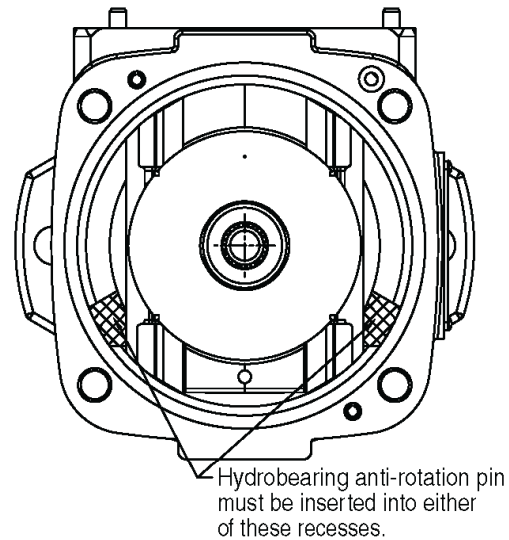
#### NOTE

Refer to **Figure 8** and **Figure 9** for the correct orientation of the pins for the appropriate frame size.



OILG0305

**Figure 8. A-Frame Orientation of Pins**



OILG0306

**Figure 9. B-Frame and C-Frame Orientation of Pins**

## DRIVE SHAFT GROUP

1. Place the housing on its side with the axis horizontal.
2. Install the seal retainer (302).
3. Lubricate the shaft seal (007) and shaft.
4. Insert the drive shaft (301) and bearing assembly into the housing.
5. Lock in place with the drive shaft bearing retainer ring (305).

## ROTATING GROUP

See Figure 6.

1. Place the cylinder barrel (101), wear surface down, on a clean cloth.
2. Place the shoe retainer spring (105) in the center of the barrel with the fulcrum ball (103) on top of it.
3. Insert the identified pistons (102) into their corresponding identified holes of the shoe retainer (104). As a unit, fit the pistons into their corresponding, identified bores in the cylinder barrel. **DO NOT FORCE**. If everything is aligned properly, the pistons will fit smoothly.

### **WARNING**

**The rotating group weight may be heavy. Be careful not to damage cylinder wear surface which mates against the valve plate, bearing diameters or piston shoes. Use proper lifting techniques and assistance from others to prevent personal injury.**

The rotating group can now be carefully installed over the tail of the drive shaft (301) and into the pump housing (001).

#### **NOTE**

*When installing the rotating group, support the weight of the cylinder barrel (101), as cylinder spline is passed over the tailshaft, to avoid scratching or damage.*

4. Push cylinder forward until the cylinder spline reaches the drive shaft spline and rotate slightly to engage shaft splines. Continue to slide cylinder forward until it encounters the cylinder bearing (202). Lifting the tailshaft slightly helps the cylinder (101) and the cylinder bearing (202) engagement. Continue pushing the cylinder forward until the piston shoes contact the swashblock. The back of the

cylinder should slightly protrude outside the back of the pump housing.

5. Install and torque the four control screws to the appropriate value shown in **Table 5**.

## RELIEF VALVE BLOCK

1. Install new O-rings on the relief block.
2. Position the relief valve block over the outlet port of the valve plate.
3. Install and torque the four screws to the appropriate value shown in **Table 5**.

## VALVE PLATE GROUP

1. Place the partially assembled pump housing on a bench with the open end facing up.
2. Install new O-rings on the housing.
3. Position the valve plate (401) over the tailshaft and on pins (005) and housing.
4. Install and torque the four valve plate screws to the appropriate value shown in **Table 5**.
5. If any plugs were removed, reinstall and torque them to the appropriate value shown in **Table 5**.

## CONTROL GROUP

1. Place the assembled pump on its side with the axis horizontal.
2. Install new O-rings on the housing.
3. Install the control pin into the swashblock.
4. Position the control assembly so the control pin fits into the annular slot of the control piston.
5. Assemble the control assembly to the pump assembly, making sure that both alignment pins (006) are correctly inserted into their respective holes of the control body.

#### **NOTE**

*It may be necessary to mechanically position the control piston to correctly align the control on the pump.*



## PVWJ PUMP TORQUES

	Item Number	Description	Head Type & Size	Tightening Torque
A-Frame PVWJ-011 PVWJ-014 PVWJ-022	002	Housing Plug	3/4" Internal Hex	100 ft-lbs (136 N-m)
	403	Valve Plate Screws	3/8" Internal Hex or 9/16" External Hex	15 ft-lbs (20 N-m)
	507	Tandem Cover Screws	1/2" Internal Hex	325 in.-lbs (5 N-m)
	601	SAE #2 Plug	1/8" Internal Hex	45 in.-lbs (5 N-m)
	626	SAE #10 Plug	1" External Hex	90 ft-lbs (122 N-m)
B-Frame PVWJ-025 PVWJ-034 PVWJ-046	403	Valve Plate Screws	3/4" External Hex	37 in.-lbs (50 N-m)
	405	SAE #2 Plug	1/8" Internal Hex	45 in.-lbs (5 N-m)
	503	SAE A Tandem Mounting Screws	9/16" External Hex	28 ft-lbs (38 N-m)
		SAE B Tandem Mounting Screws	3/4" External Hex	37 ft-lbs (50 N-m)
	507	Cover Plate or Adapter Screws	1/2" External Hex	325 in.-lbs (37 N-m)
	902	Relief Valve Block Screws	3/8" Internal Hex	44 ft-lbs (60 N-m)
C-Frame PVWJ-064 PVWJ-076 PVWJ-098 PVWJ-130	403	Valve Plate Screws	14 mm Internal Hex	56 ft-lbs (76 N-m)
	503	SAE A Tandem Mounting Screws	9/16" External Hex	28 ft-lbs (38 N-m)
		SAE B Tandem Mounting Screws	3/4" External Hex	37 ft-lbs (50 N-m)
		SAE C Tandem Mounting Screws	15/16" External Hex	74 ft-lbs (100 N-m)
	507	Cover Plate Screws	1/2" External Hex	325 in.-lbs (37 N-m)
		Adapter Screws	9/16" External Hex	28 ft-lbs (38 N-m)
	601	SAE #2 Plug	1/8" Internal Hex	45 in.-lbs (5 N-m)
	902	Relief Valve Block Screws (PVWH-076/-098/-130)	3/8" Internal Hex	68 ft-lbs (92 N-m)
		Relief Valve Block Screws (PVWH-064)	1/2" Internal Hex	138 ft-lbs (187 N-m)

**Table 5. PVWJ Pump Assembly Torques**

---

## CONTROL O-RING SEALS

Item Number	ARP 568 Uniform Size Number	Shore A Durometer
1008	008	70
1010	010	90
1012	012	90
1042	042	70
1138	138	70
1145	145	70
1155	155	70
1159	159	70
1219	219	90
1222	222	90
1225	225	90
1228	228	90
1237	237	70
1242	242	70
1252	252	70
1257	257	70
1500	See note 1	80
1902	902	90
1910	910	90

Note 1. 94 mm OD x 2.5 mm

**Table 6. PVWJ Pump O-Ring Seals**



PVWJ-011/-014/-022 A-Frame

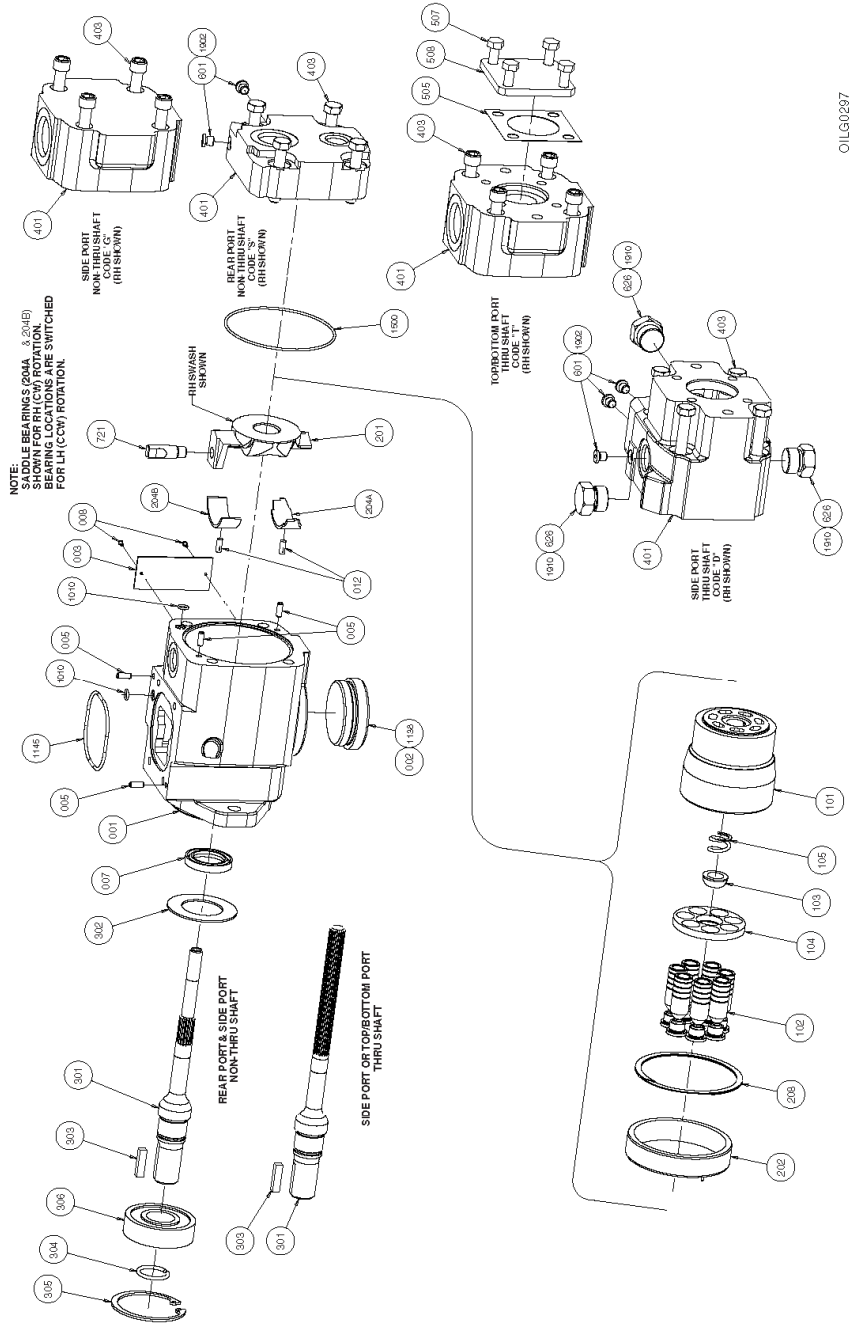


Figure 10. Exploded parts drawing, PVWJ-011/-014/-022 A-Frame (520024-101 sheet 2 of 4).

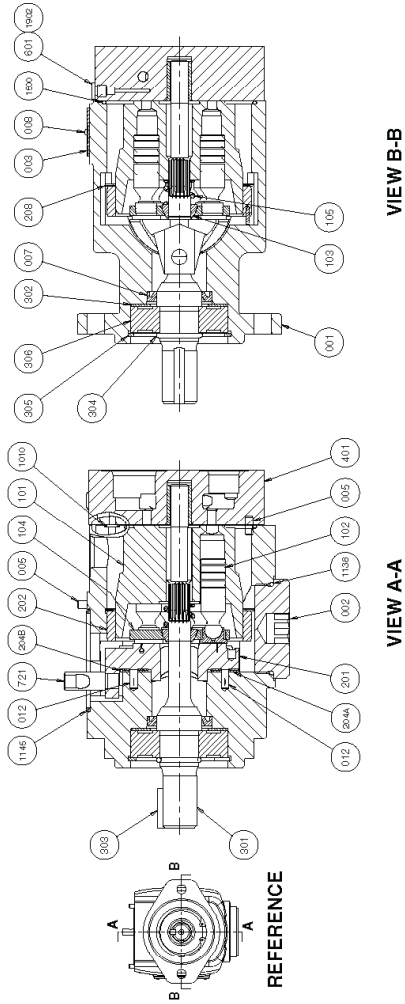


Figure 11. Cross section and plan view parts drawing, PVWJ-011/-014/-022 A-Frame (520024-101 sheet 1 of 4).

**PVWJ-011/-014/-022 A-FRAME PUMP PARTS LIST**

Parts used in these assemblies are per Oilgear specifications. Use only Oilgear parts to ensure compatibility with assembly requirements. When ordering replacement parts, be sure to include pump type and serial number, bulletin number and item number. Specify type of hydraulic fluid to ensure seal and packing compatibility.

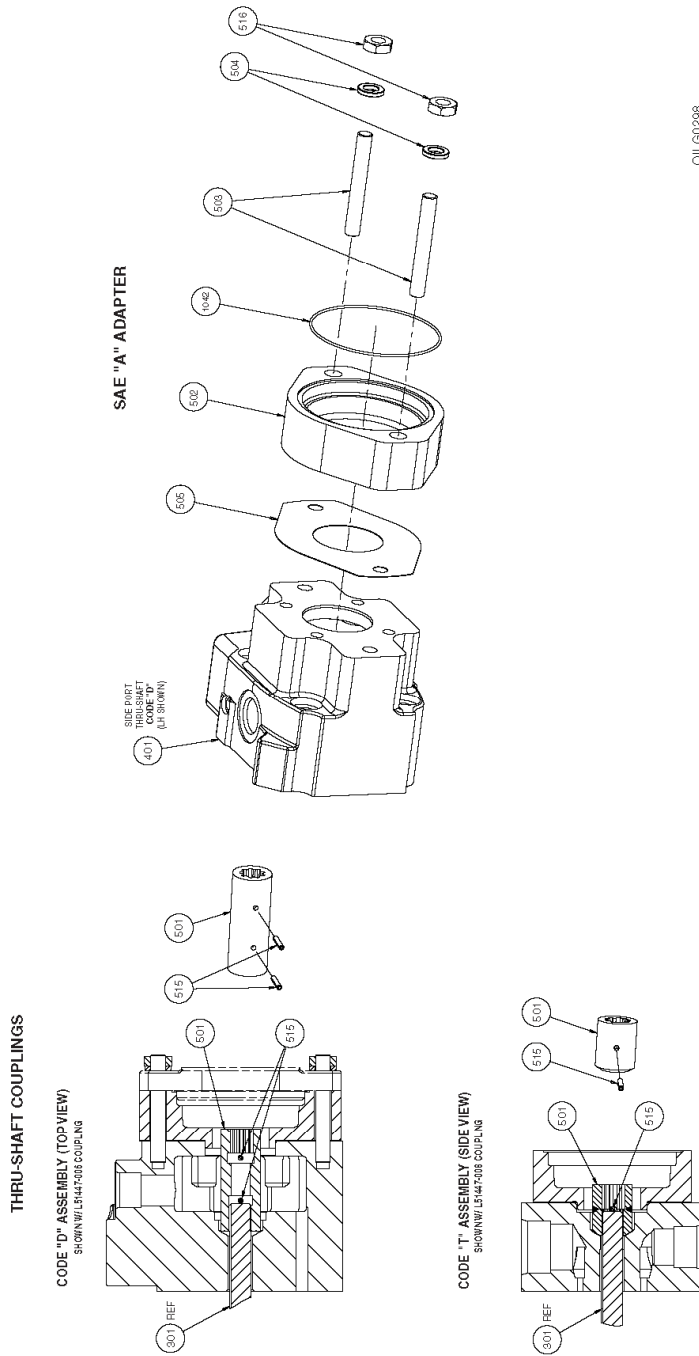
NOTE: Parts drawings may not be identical to Oilgear drawings referenced.

Item	Qty.	Description
<b>HOUSING ASSEMBLY GROUP</b>		
001	1	Pump Housing
002	1	Plug
003	1	Name Tag
005	4	Roll Pin
007	1	Shaft Seal

008	2	Drive Screws
012	2	Saddle Bearing Locating Pin
1010	2	O-Ring
1138	1	O-Ring
1145	1	O-Ring
1500	1	O-Ring
<b>ROTARY ASSEMBLY GROUP</b>		
101	1	Barrel
102	7	Piston & Shoe Assembly
103	1	Fulcrum Ball
104	1	Shoe Retainer
105	1	Shoe Retainer Spring
<b>SWASHBLOCK ASSEMBLY GROUP</b>		
201	1	Swashblock
202	1	Hydrodynamic Bearing
204A	1	Saddle Bearing (pressure side)
204B	1	Saddle Bearing (suction side)
208	1	Retaining Ring
721	1	Control Pin

<b>DRIVE SHAFT ASSEMBLY GROUP</b>		
301	1	Drive Shaft
302	1	Seal Retainer
303	1	Key
304	1	Shaft Retainer Ring
305	1	Shaft Bearing Retainer Ring
306	1	Front Drive Shaft Bearing
<b>VALVE PLATE ASSEMBLY GROUP</b>		
401	1	Valve Plate
403	4	Screw
601	Note 1	Plug
626	Note 1	Plug
1902	Note 1	O-Ring
1910	Note 1	O-Ring
<b>COVER PLATE PARTS</b>		
505	1	Gasket
507	4	Screw
508	1	Cover Plate

Note 1. Qty is 0, 1, 2 or 3 dependent on Valve Plate type.



OILG0298

Figure 12. Exploded parts drawing, PVWJ-011/-014/-022 A-Frame, Thru-Shaft Couplings and SAE "A" Adapter (520024-101 sheet 3 of 4).

Item	Qty.	Description
<b>DRIVE SHAFT ASSEMBLY GROUP</b>		
301	1	Drive Shaft
<b>VALVE PLATE ASSEMBLY GROUP</b>		
401	1	Valve Plate

<b>DUAL PUMP ADAPTER PARTS</b>		
501	1	Coupling
502	1	Adapter
503	2	Stud
504	2	Washer
505	1	Gasket
515	1	Roll Pin
516	2	Hex Nut
1042	1	O-Ring

Reference: 520024-101  
 SERVICE KIT Drawings figures 10-12  
 Document Number: 520024-SK1  
 Revision: New

**SERVICE KITS**  
 PVWJ A-Frame Units (PVWJ-011/-014/-022)

Description	Kit No.	Design Series	Items Included (quantity is 1 unless noted)
<b>Housing Kits</b>			
All Models	L51116-30	A1	001, 005(4), 007, 012, 1010(2), 1145, 1500
<b>Rotating Group Bearing Kit</b>			
All Models	L51203-1	A1	202, 208
<b>Shaft &amp; Bearing Kits</b>			
Kits for Non Thru-Shaft Models			
3/4" Dia. Keyed (Code "Y")	L51128-11	A1	301, 302, 303, 304, 305, 306
7/8" Dia. Keyed (Code "B")	L51128-15	A1	301, 302, 303, 304, 305, 306
5/8" 9T SAE Spline (Code "S")	L51128-13	A1	301, 302, 304, 305, 306
7/8" 13T Industrial Spline (Code "C")	L51128-17	A1	301, 302, 304, 305, 306
Kits for Thru-Shaft Models with Code "DA" Valve Plates			
3/4" Dia. Keyed (Code "Y")	L51518-11A	A1	301, 302, 303, 304, 305, 306
7/8" Dia. Keyed (Code "B")	L51518-11	A1	301, 302, 303, 304, 305, 306
5/8" 9T SAE Spline (Code "S")	L51518-10	A1	301, 302, 304, 305, 306
5/8" 9T Industrial Spline (Code "D")	L51518-12Z	A1	301, 302, 304, 305, 306
7/8" 13T Industrial Spline (Code "C")	L51518-12	A1	301, 302, 304, 305, 306
Kits for Thru-Shaft Models with Code "TA" Valve Plates			
3/4" Dia. Keyed (Code "Y")	L51518-33A	A1	301, 302, 303, 304, 305, 306
7/8" Dia. Keyed (Code "B")	L51518-39A	A1	301, 302, 303, 304, 305, 306
5/8" 9T SAE Spline (Code "S")	L51518-35A	A1	301, 302, 304, 305, 306
5/8" 9T Industrial Spline (Code "D")	L51518-37A	A1	301, 302, 304, 305, 306
7/8" 13T Industrial Spline (Code "C")	L51518-57	A1	301, 302, 304, 305, 306
<b>Swashblock Kits</b>			
LH (CCW) Models	L50488-3	A1	201, 721
RH (CW) Models	L50488-5	A1	201, 721
<b>Rotating Group Kits</b>			
PVWJ-011	L50052-8	A1	101, 102(7), 103, 104, 105
PVWJ-014	L50052-7	A1	101, 102(7), 103, 104, 105
PVWJ-022	L50053-7	A1	101, 102(7), 103, 104, 105
<b>Saddle Bearing Kit</b>			
All Models	L51053-4	A1	204A, 204B

Valve Plate Kits				
<b>PVWJ-011</b>				
LH Rear Port (Code "SA")	K51101-500	A1	401, 403(4), 601(2), 1010, 1500, 1902(2)	
RH Rear Port (Code "SA")	K51101-501	A1	401, 403(4), 601(2), 1010, 1500, 1902(2)	
LH Side Port, Non Thru-Shaft (Code "GA")	K51101-502	A1	401, 403(4), 650(2), 1010, 1500	
RH Side Port, Non Thru-Shaft (Code "GA")	K51101-503	A1	401, 403(4), 650(2), 1010, 1500	
LH Side Port, Thru-Shaft (Code "DA")	K51101-504	A1	401, 403(4), 601(2), 626(3), 1010, 1500, 1902(2), 1910(3)	
RH Side Port, Thru-Shaft (Code "DA")	K51101-505	A1	401, 403(4), 601(2), 626(3), 1010, 1500, 1902(2), 1910(3)	
LH Top/Bottom Port, Thru-Shaft (Code "TA")	K51101-506	A1	401, 403(4), 650(2), 1010, 1500	
LH Top/Bottom Port, Thru-Shaft (Code "TA")	K51101-507	A1	401, 403(4), 650(2), 1010, 1500	
<b>PVWJ-014</b>				
LH Rear Port (Code "SA")	K51101-508	A1	401, 403(4), 601(2), 1010, 1500, 1902(2)	
RH Rear Port (Code "SA")	K51101-509	A1	401, 403(4), 601(2), 1010, 1500, 1902(2)	
LH Side Port, Non Thru-Shaft (Code "GA")	K51101-510	A1	401, 403(4), 650(2), 1010, 1500	
RH Side Port, Non Thru-Shaft (Code "GA")	K51101-511	A1	401, 403(4), 650(2), 1010, 1500	
LH Side Port, Thru-Shaft (Code "DA")	K51101-512	A1	401, 403(4), 601(2), 626(3), 1010, 1500, 1902(2), 1910(3)	
RH Side Port, Thru-Shaft (Code "DA")	K51101-513	A1	401, 403(4), 601(2), 626(3), 1010, 1500, 1902(2), 1910(3)	
LH Top/Bottom Port, Thru-Shaft (Code "TA")	K51101-514	A1	401, 403(4), 650(2), 1010, 1500	
LH Top/Bottom Port, Thru-Shaft (Code "TA")	K51101-515	A1	401, 403(4), 650(2), 1010, 1500	
<b>PVWJ-022</b>				
LH Rear Port (Code "SA")	K51101-516	A1	401, 403(4), 601(2), 1010, 1500, 1902(2)	
RH Rear Port (Code "SA")	K51101-517	A1	401, 403(4), 601(2), 1010, 1500, 1902(2)	
LH Side Port, Non Thru-Shaft (Code "GA")	K51101-518	A1	401, 403(4), 650(2), 1010, 1500	
RH Side Port, Non Thru-Shaft (Code "GA")	K51101-519	A1	401, 403(4), 650(2), 1010, 1500	
LH Side Port, Thru-Shaft (Code "DA")	K51101-520	A1	401, 403(4), 601(2), 626(3), 1010, 1500, 1902(2), 1910(2)	
RH Side Port, Thru-Shaft (Code "DA")	K51101-521	A1	401, 403(4), 601(3), 626(3), 1010, 1500, 1902(2), 1910(3)	
LH Top/Bottom Port, Thru-Shaft (Code "TA")	K51101-522	A1	401, 403(4), 650(2), 1010, 1500	
LH Top/Bottom Port, Thru-Shaft (Code "TA")	K51101-523	A1	401, 403(4), 650(2), 1010, 1500	
<b>Pump Seal Kit</b>				
All models	L50824-24	A1	007, 1010(2), 1138, 1145, 1500, 1902(3), 1910(3)	
<b>Piston &amp; Shoe Kits</b>				
PVWJ-011	L51363-900	A1	102(7)	
PVWJ-014	L50021-900	A1	102(7)	
PVWJ-022	L50021-901	A1	102(7)	
<b>Shoe Retainer &amp; Holddown Ball Kit</b>				
All models	L50019	A1	103, 104	
<b>Tag Kit</b>				
All models	L50921	A1	003, 008(2)	



<b>Control Pin</b>					
All models	50623-5	A1	721		
<b>Cover Plate Kit</b>					
All models	L50671	A1	505, 507(4), 508		
<b>Coupling &amp; Adapter Kits</b>					
All models using code "DA" Valve Plate	L51081-48	A1	501, 502, 503(2), 504(2), 505, 506, 515(2), 516(2)		
All models using code "TA" Valve Plate	L51081-113	A1	501, 502, 503(2), 504(2), 505, 506, 515, 516(2)		

PVWJ-025/-034/-046 B-Frame

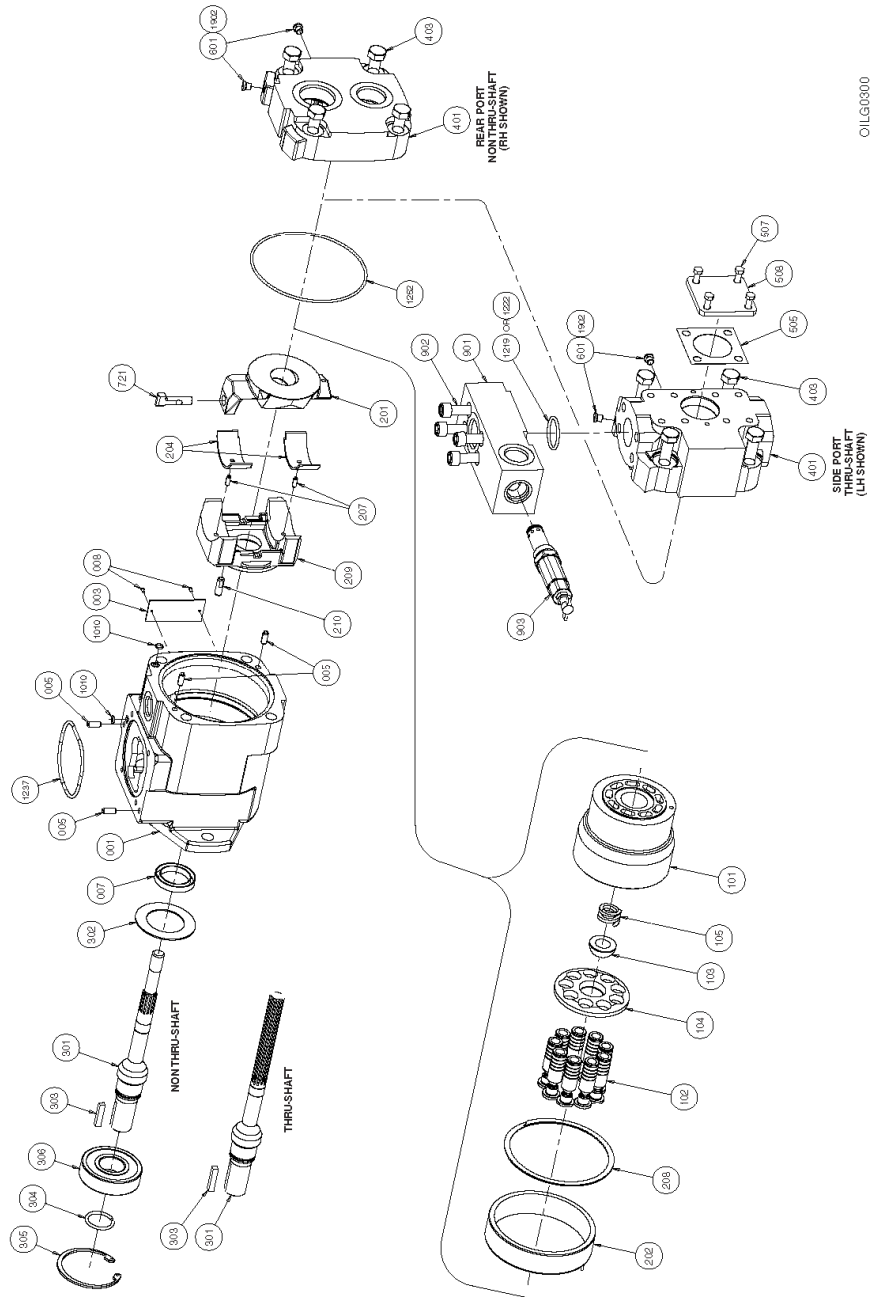
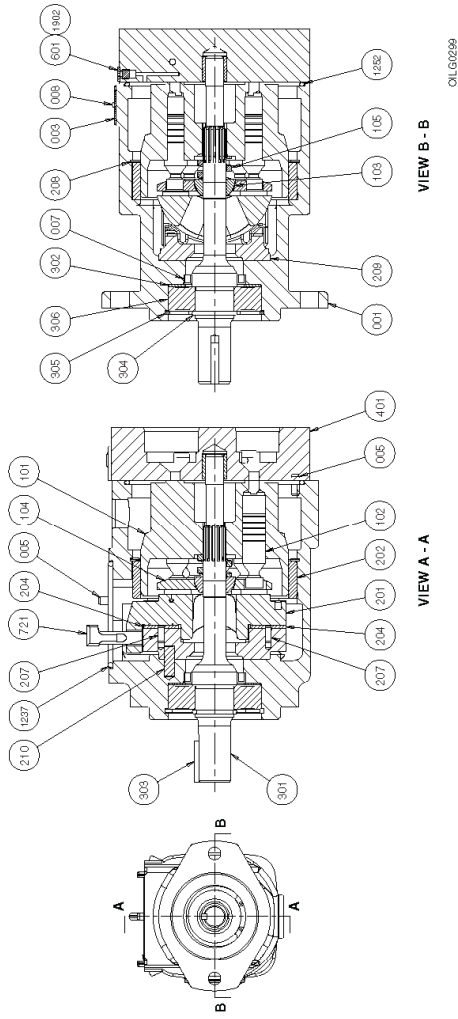


Figure 13. Exploded parts drawing, PVWJ-025/-034/-046 B-Frame (520024-201 sheet 2 of 4).



OILG0299

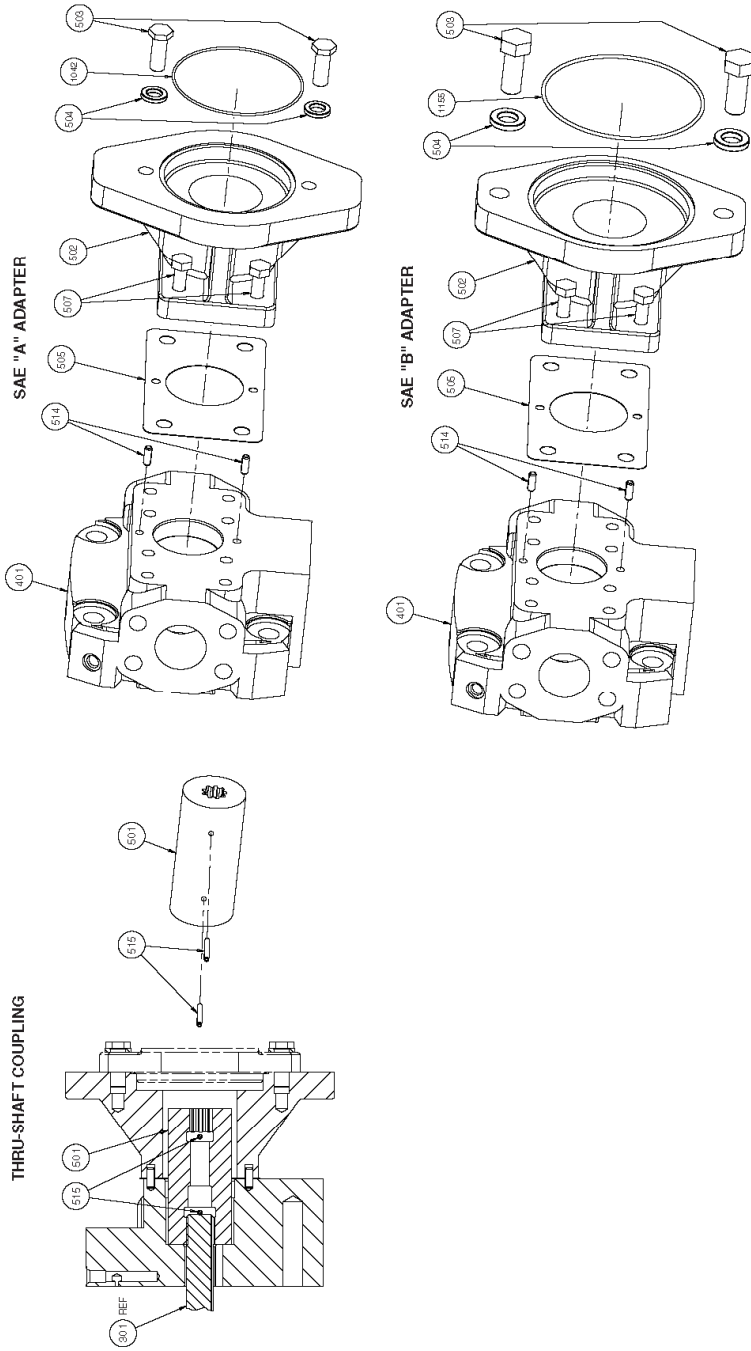
Figure 14. Cross section and plan view parts drawing, PVWJ-025/-034/-046 B-Frame (520024-201 sheet 1 of 4).

**PVWJ-025/-034/-046 B-FRAME PUMP PARTS LIST**

Item	Qty.	Description
<b>HOUSING ASSEMBLY GROUP</b>		
001	1	Pump Housing
003	1	Name Tag
005	4	Roll Pin
007	1	Shaft Seal
008	2	Drive Screws
1010	2	O-Ring
1237	1	O-Ring
1252	1	O-Ring
<b>ROTARY ASSEMBLY GROUP</b>		
101	1	Barrel
102	9	Piston & Shoe Assembly
103	1	Fulcrum Ball
104	1	Shoe Retainer
105	1	Shoe Retainer Spring

<b>SWASHBLOCK ASSEMBLY GROUP</b>		
201	1	Swashblock
202	1	Hydrodynamic Bearing
204	2	Saddle Bearing
207	2	Saddle Bearing Locating Pin
208	1	Retaining Ring
209	1	Saddle Block
210	1	Saddle Block Locating Ring
721	1	Control Pin
<b>DRIVE SHAFT ASSEMBLY GROUP</b>		
301	1	Drive Shaft
302	1	Seal Retainer
303	1	Key
304	1	Shaft Retainer Ring
305	1	Shaft Bearing Retainer Ring
306	1	Front Drive Shaft Bearing
<b>VALVE PLATE ASSEMBLY GROUP</b>		
401	1	Valve Plate
403	4	Screw
601	2	Plug
1902	2	O-Ring

<b>COVER PLATE PARTS</b>		
505	1	Gasket
507	4	Screw
508	1	Cover Plate
<b>RELIEF VALVE ASSEMBLY GROUP-OPTIONAL</b>		
901	1	Block
902	1	Screw
903	1	Relief Valve Cartridge
1219	1	O-Ring (PVWJ-025)
1222	1	O-Ring (PVWJ-034/-046)



OILG0301

Figure 15. Exploded parts drawing, PVWJ-025/-034/-046 B-Frame, Thru-Shaft Coupling, SAE "A" and SAE "B" Adapter (520024-201 sheet 3 of 4).

Item	Qty.	Description
<b>DRIVE SHAFT ASSEMBLY GROUP</b>		
301	1	Drive Shaft
<b>VALVE PLATE ASSEMBLY GROUP</b>		
401	1	Valve Plate

<b>DUAL PUMP ADAPTER PARTS</b>		
501	1	Coupling
502	1	Adapter
503	2	Screw
504	2	Washer
505	1	Gasket

507	4	Screw
514	1	Roll Pin
515	1	Roll Pin
1042	1	O-Ring
1155	1	O-Ring

Document Number: 520024-SK2  
Revision: New

Reference: 520024-201  
SERVICE KIT Drawings figures 13-15

**SERVICE KITS**  
PVWJ B-Frame Units (PVWJ-025/-034/-046)

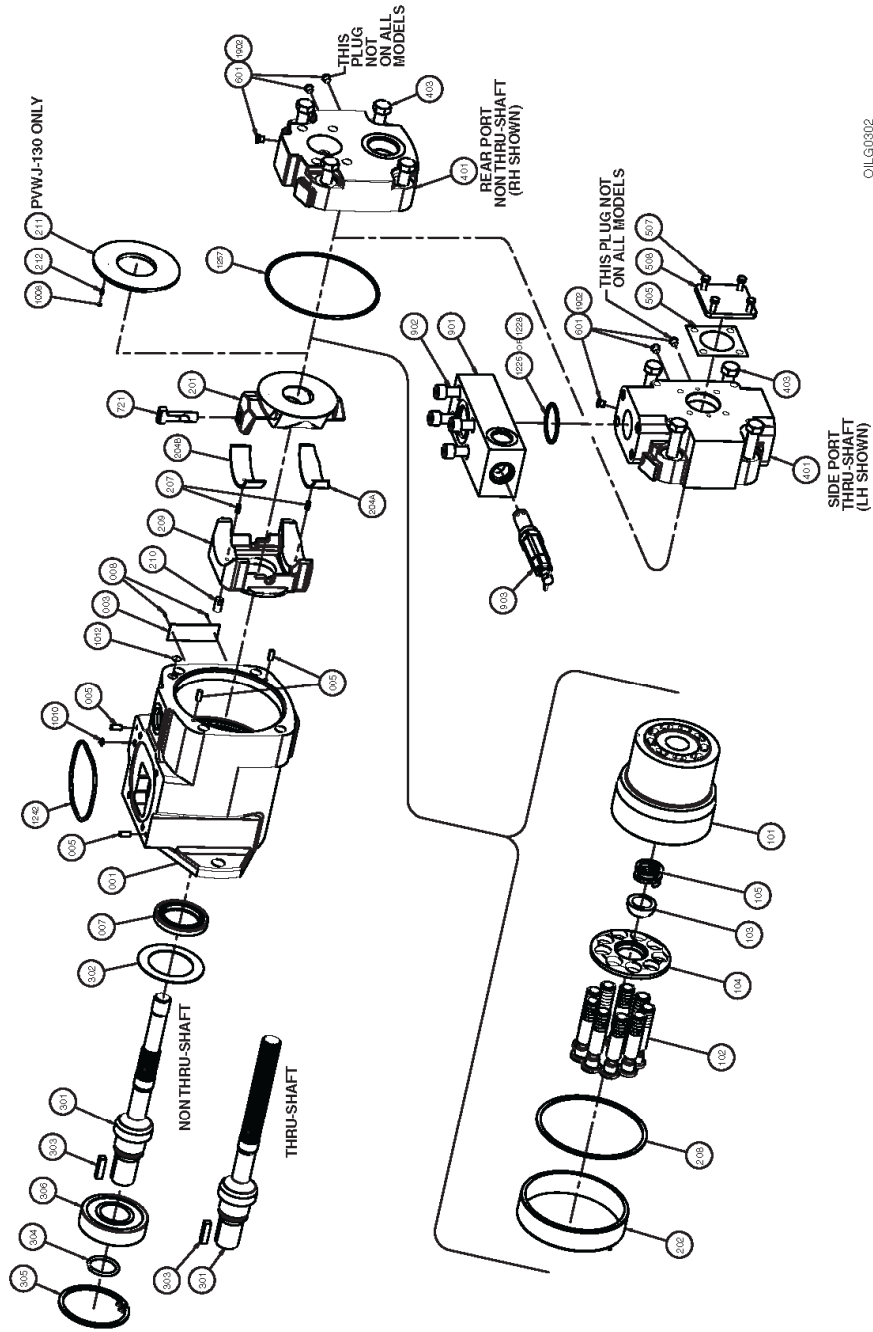
Description	Kit No.	Design Series	Items Included (quantity is 1 unless noted)
<b>Housing Kits</b>			
All Models	K51121-101	A1	001, 005(4), 007, 1010(2), 1237, 1252
<b>Rotating Group Bearing Kit</b>			
All Models	L51065-1	A1	202, 208
<b>Shaft &amp; Bearing Kits</b>			
PVWJ-025/-034/-046			
7/8" Dia. Keyed (Code Y)	L51129-11	A1	301, 302, 303, 304, 305, 306
1" Dia. Keyed (Code B)	L51129-15	A1	301, 302, 303, 304, 305, 306
7/8" 13T Spline (Code S)	L51129-13	A1	301, 302, 304, 305, 306
1" 15T Spline (Code C)	L51129-17	A1	301, 302, 304, 305, 306
7/8" 13T Spline (Code D) (Industrial)	L51129-39Z	A1	301, 302, 304, 305, 306
7/8" Dia. Keyed (Code Y)	L51519-11A	A1	301, 302, 303, 304, 305, 306
1" Dia. Keyed (Code B)	L51519-11	A1	301, 302, 303, 304, 305, 306
7/8" 13T Spline (Code S)(SAE)	L51519-10	A1	301, 302, 304, 305, 306
7/8" 13T Spline (Code D) (Industrial)	L51519-12Z	A1	301, 302, 304, 305, 306
<b>Swashblock Kits</b>			
LH (CCW) Models	L50480-1	A1	201, 721
RH (CW) Models	L50480-2	A1	201, 721
<b>Saddle Bearing Kit</b>			
All models	L51053-5	A1	204(2)
<b>Rotating Group Kits</b>			
PVWJ-025	L50167-10	A1	101, 102(9), 103, 104, 105
PVWJ-034	L50167-7	A1	101, 102(9), 103, 104, 105
PVWJ-046	L50168-7	A1	101, 102(9), 103, 104, 105

PVWJ-064/-076/-098/-130 B-Frame

<b>Saddle Kit</b>							
All models	L51052-7	A1	204(2), 207(2), 209				
<b>Valve Plate Kits</b>							
<b>PVWJ-025</b>							
LH Rear Port (Code "SA")	K51102-201	A1	401, 403(4), 601(2), 1010, 1252, 1902(2)				
RH Rear Port (Code "SA")	K51102-202	A1	401, 403(4), 601(2), 1010, 1252, 1902(2)				
LH Side Port, Thru-Shaft (Code "DF" & "DR")	K51102-203	A1	401, 403(4), 601(2), 1010, 1252, 1902(2)				
RH Side Port, Thru-Shaft (Code "DF" & "DR")	K51102-204	A1	401, 403(4), 601(2), 1010, 1252, 1902(2)				
<b>PVWJ-034</b>							
LH Rear Port (Code "SA")	K51102-205	A1	401, 403(4), 601(2), 1010, 1252, 1902(2)				
RH Rear Port (Code "SA")	K51102-206	A1	401, 403(4), 601(2), 1010, 1252, 1902(2)				
LH Side Port, Thru-Shaft (Code "DF" & "DR")	K51102-207	A1	401, 403(4), 601(2), 1010, 1252, 1902(2)				
RH Side Port, Thru-Shaft (Code "DF" & "DR")	K51102-208	A1	401, 403(4), 601(2), 1010, 1252, 1902(2)				
<b>PVWJ-046</b>							
LH Rear Port (Code "SA")	K51102-209	A1	401, 403(4), 601(2), 1010, 1252, 1902(2)				
RH Rear Port (Code "SA")	K51102-210	A1	401, 403(4), 601(2), 1010, 1252, 1902(2)				
LH Side Port, Thru-Shaft (Code "DF" & "DR")	K51102-211	A1	401, 403(4), 601(2), 1010, 1252, 1902(2)				
RH Side Port, Thru-Shaft (Code "DF" & "DR")	K51102-212	A1	401, 403(4), 601(2), 1010, 1252, 1902(2)				
<b>Pump Seal Kit</b>							
All models	K50825-200	A1	007, 1010(2), 1237, 1252, 1902(2)				
<b>Piston &amp; Shoe Kits</b>							
PVWJ-025	L51349-900	A1	102(9)				
PVWJ-034	L50146-900	A1	102(9)				
PVWJ-046	L50175-900	A1	102(9)				
<b>Shoe Retainer &amp; Holddown Ball Kit</b>							
All models	L50132	A1	103, 104				
<b>Tag Kit</b>							
All models	L50921	A1	003, 008(2)				
<b>Control Pin</b>							
All models	51339-5	A1	721				
<b>Cover Plate Kit</b>							
All models	L50671	A1	505, 507(4), 508				
<b>Coupling &amp; Adapter Kits</b>							
SAE A Adapter	L51081-53	A1	501, 502, 503(2), 504(2), 505, 507(4), 514(2), 515(2), 1042				
SAE B Adapter	L51081-43	A1	501, 502, 503(2), 504(2), 505, 507(4), 514(2), 515(2), 1155				



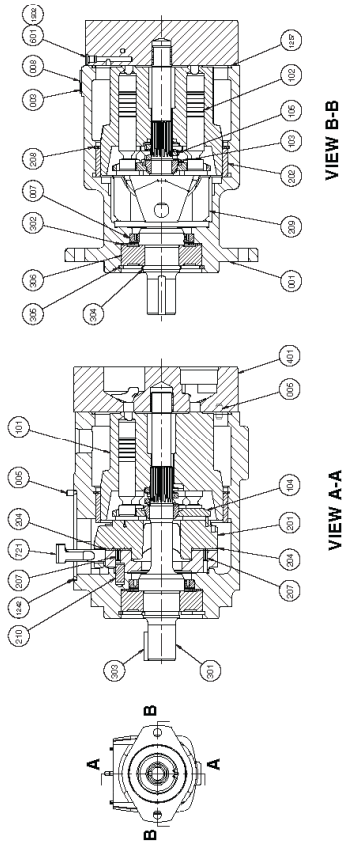
PVWJ-064/-076/-098/-130 C-Frame



OILG0302

Figure 16. Exploded parts drawing, PVWJ-064/-076/-098/-130 C-Frame (520024-301 sheet 2 of 4).





DLG0803

Figure 17. Cross section and plan view parts drawing, -064/-076/-098/-130 C-Frame (520024-301 sheet 1 of 4).

**PVWJ-064-076/-098/-130 C-FRAME PUMP PARTS LIST**

Item	Qty.	Description
<b>HOUSING ASSEMBLY GROUP</b>		
001	1	Pump Housing
003	1	Name Tag
005	4	Roll Pin
007	1	Shaft Seal
008	2	Drive Screws
1010	1	O-Ring
1012	1	O-Ring
1242	1	O-Ring
1257	1	O-Ring
<b>ROTARY ASSEMBLY GROUP</b>		
101	1	Barrel
102	9	Piston & Shoe Assembly
103	1	Fulcrum Ball
104	1	Shoe Retainer
105	1	Shoe Retainer Spring

<b>SWASHBLOCK ASSEMBLY GROUP</b>		
201	1	Swashblock
202	1	Hydrodynamic Bearing
204A	1	Saddle Bearing (PVWJ-064)
204B	1 or 2	Saddle Bearing (PVWJ-064/-076/-098)
204C	2	Saddle Bearing (PVWJ-130)
207	2	Saddle Bearing Locating Pin
208	1	Retaining Ring
209	1	Saddle Block
210	1	Saddle Block Locating Ring
211	1	Wear Plate (PVWJ-130 only)
212	1	Wear Plate Locating Pin (PVWJ-130 only)
721	1	Control Pin
1008	1	O-Ring (PVWJ-130 only)
<b>DRIVE SHAFT ASSEMBLY GROUP</b>		
301	1	Drive Shaft
302	1	Seal Retainer
303	1	Key
304	1	Shaft Retainer Ring
305	1	Shaft Bearing Retainer Ring
306	1	Front Drive Shaft Bearing

<b>VALVE PLATE ASSEMBLY GROUP</b>		
401	1	Valve Plate
403	4	Screw
601	2 or 3	Plug
1902	2 or 3	O-Ring
<b>COVER PLATE PARTS</b>		
505	1	Gasket
507	4	Screw
508	1	Cover Plate
<b>RELIEF VALVE ASSEMBLY GROUP-OPTIONAL</b>		
901	1	Block
902	1	Screw
903	1	Relief Valve Cartridge
1225	1	O-Ring (PVWJ-064)
1228	1	O-Ring (PVWJ-076/-098/-130)

# PVWJ-064/-076/-098/-130 C-Frame

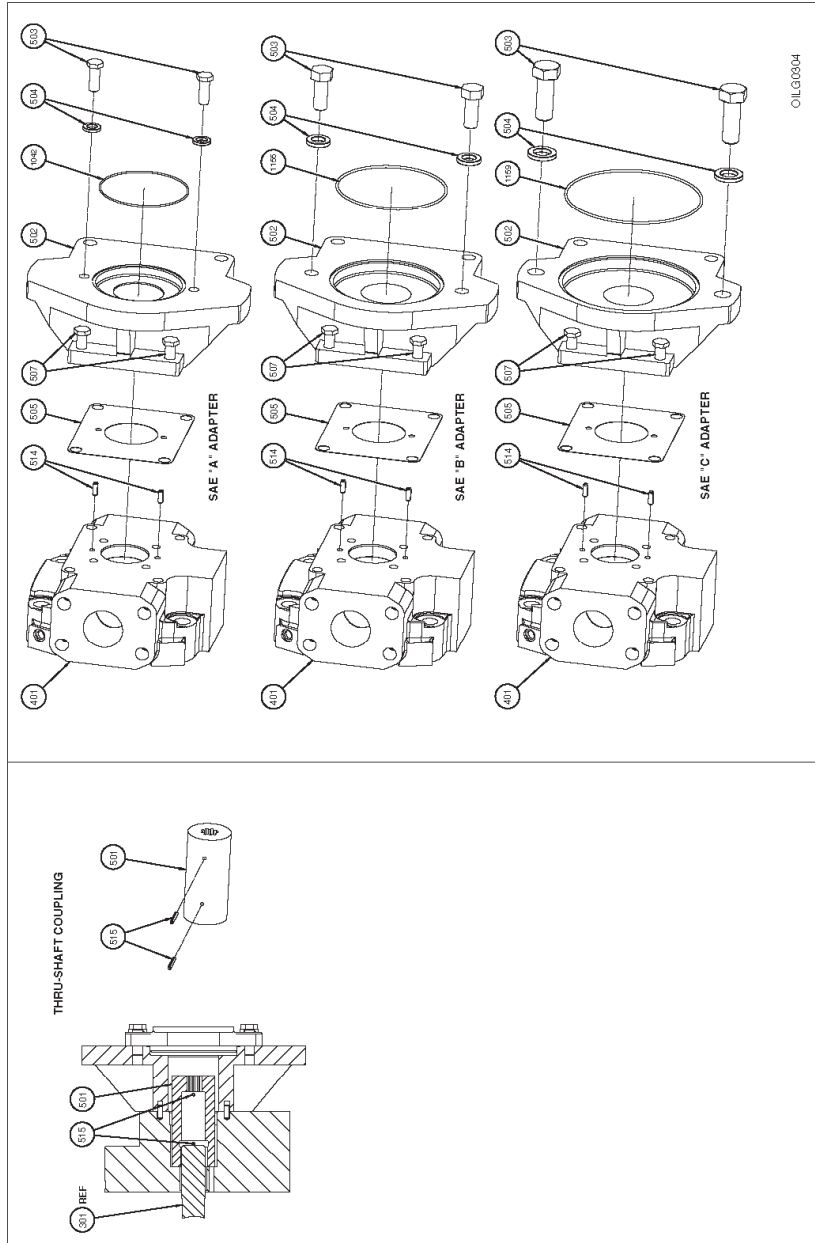


Figure 18. Exploded parts drawing, PVWJ-064/-076/-098/-130 C-Frame, Thru-Shaft Coupling, SAE "A", SAE "B" and SAE "C" Adapter (520024-301 sheet 3 of 4).

Item	Qty.	Description
<b>DRIVE SHAFT ASSEMBLY GROUP</b>		
301	1	Drive Shaft
<b>VALVE PLATE ASSEMBLY GROUP</b>		
401	1	Valve Plate

<b>DUAL PUMP ADAPTER</b>		
501	1	Coupling
502	1	Adapter
503	2	Screw
504	2	Washer
505	1	Gasket

507	4	Screw
514	2	Roll Pin
515	2	Roll Pin
1042	1	O-Ring
1155	1	O-Ring
1159	1	O-Ring

Document Number: 520024-SK3  
Revision: New

Reference: 520024-301  
SERVICE KIT Drawings figures 16-18

**SERVICE KITS**  
PVWJ C-Frame Units  
(PVWJ-064/-076/-098/-130)

Description	Kit No.	Design Series	Items Included (quantity is 1 unless noted)
<b>Housing Kits</b>			
All Models	K51114-101	A1	001, 005(4), 007, 1010(2), 1242, 1257
<b>Rotating Group Bearing Kit</b>			
All Models	L51066-1	A1	202, 208
<b>Shaft &amp; Bearing Kits</b>			
1 1/4" Dia. Keyed (Code Y) Standard	L51130-11	A1	301, 302, 303, 304, 305, 306
1 1/4" 14T Spline (Code S) Standard (SAE)	L51130-13	A1	301, 302, 304, 305, 306
1 1/4" 14T Spline (Code D) Standard (Industrial)	L51130-13Z	A1	301, 302, 304, 305, 306
1 1/4" Dia. Keyed (Code Y) T-S	L51520-11	A1	301, 302, 303, 304, 305, 306
1 1/4" 14T Spline (Code S) (SAE)	L51520-10	A1	301, 302, 304, 305, 306
1 1/4" 14T Spline (Code D) T-S (Industrial)	L51520-12Z	A1	301, 302, 304, 305, 306
<b>Swashblock Kits</b>			
PVWJ-064/-076/-098 LH (CCW) Models	L50481-3	A1	201, 721
PVWJ-064/-076/-098 RH (CW) Models	L50481-5	A1	201, 721
PVWJ-130 LH (CCW) Models	L50481-4	A1	201, 211, 212, 213, 721
PVWJ-130 RH (CW) Models	L50481-6	A1	201, 211, 212, 213, 721
<b>Saddle Bearing Kits</b>			
PVWJ-064	L51053-8	A1	204A, 204B
PVWJ-076 & -098	L51053-6	A1	204B(2)
PVWJ-130	L51053-7	A1	204C(2)
<b>Rotating Group Kits</b>			
PVWJ-064	L50108-11	A1	101, 102(9), 103, 104, 105
PVWJ-076	L50087-7	A1	101, 102(9), 103, 104, 105
PVWJ-098	L50108-7	A1	101, 102(9), 103, 104, 105
PVWJ-130	L50108-8	A1	101, 102(9), 103, 104, 105
<b>Saddle Kits</b>			
PVWJ-064	L51052-13	A1	204A, 204B, 207(2), 209
PVWJ-076 & -098	L51052-8	A1	204B(2), 207(2), 209
PVWJ-130	L51052-9	A1	204C(2), 207(2), 209

Valve Plate Kits					
PVWJ-064					
LH Rear Port (Code "SA")	K51103-213	A1	401, 403(4), 405(2), 408(2), 1012, 1257		
RH Rear Port (Code "SA")	K51103-214	A1	401, 403(4), 405(3), 408(3), 1012, 1257		
LH Side Port, Thru Shaft (Code "DF" & "DR")	K51103-215	A1	401, 403(4), 405(2), 408(2), 1012, 1257		
RH Side Port, Thru Shaft (Code "DF" & "DR")	K51103-216	A1	401, 403(4), 405(3), 408(3), 1012, 1257		
PVWJ-076					
LH Rear Port (Code "SA")	K51103-201	A1	401, 403(4), 405(2), 408(2), 1012, 1257		
RH Rear Port (Code "SA")	K51103-202	A1	401, 403(4), 405(3), 408(3), 1012, 1257		
LH Side Port, Thru Shaft (Code "DF" & "DR")	K51103-207	A1	401, 403(4), 405(2), 408(2), 1012, 1257		
RH Side Port, Thru Shaft (Code "DF" & "DR")	K51103-208	A1	401, 403(4), 405(3), 408(3), 1012, 1257		
PVWJ-098					
LH Rear Port (Code "SA")	K51103-203	A1	401, 403(4), 405(2), 408(2), 1012, 1257		
RH Rear Port (Code "SA")	K51103-204	A1	401, 403(4), 405(3), 408(3), 1012, 1257		
LH Side Port, Thru Shaft (Code "DF" & "DR")	K51103-209	A1	401, 403(4), 405(2), 408(2), 1012, 1257		
RH Side Port, Thru Shaft (Code "DF" & "DR")	K51103-210	A1	401, 403(4), 405(3), 408(3), 1012, 1257		
PVWJ-130					
LH Rear Port (Code "SA")	K51103-205	A1	401, 403(4), 405(2), 408(2), 1012, 1257		
RH Rear Port (Code "SA")	K51103-206	A1	401, 403(4), 405(3), 408(3), 1012, 1257		
LH Side Port, Thru Shaft (Code "DF" & "DR")	K51103-211	A1	401, 403(4), 405(2), 408(2), 1012, 1257		
RH Side Port, Thru Shaft (Code "DF" & "DR")	K51103-212	A1	401, 403(4), 405(3), 408(3), 1012, 1257		
Pump Seal Kit					
All models	K50826-200	A1	007, 1008, 1010, 1012, 1242, 1257, 1902(3)		
Piston & Shoe Kits					
PVWJ-064	L51109-900	A1	102(9)		
PVWJ-076	L51107-900	A1	102(9)		
PVWJ-098	L51109-901	A1	102(9)		
PVWJ-130	L51303-900	A1	102(9)		
Shoe Retainer & Holddown Ball Kits					
PVWJ-064/-076/-098	L50071	A1	103, 104		
PVWJ-130	L51305-2	A1	103, 104		
Tag Kit					
All models	L50921	A1	003, 008(2)		
Control Pin					
All models	51339-2	A1	721		

<b>Cover Plate Kit</b>			
All models	L50671	A1	505, 507(4), 508
<b>Coupling &amp; Adapter Kits</b>			
SAE A Adapter	L51081-52	A1	501, 502, 503(2), 504(2), 505, 507(4), 514(2), 515(2), 1042
SAE B Adapter	L51081-51	A1	501, 502, 503(2), 504(2), 505, 507(4), 514(2), 515(2), 1155
SAE C Adapter	L51081-49	A1	501, 502, 503(2), 504(2), 505, 507(4), 514(2), 1159

---

## **AFTER SALES SERVICES**

At Oilgear we build products to last. It is the nature of this type of machinery to require proper maintenance regardless of the care we put into manufacturing. Oilgear has several service programs in place to help you.

### **STAY-ON-STREAM SERVICE**

By signing up for Oilgear's Stay-On-Stream program, you can prepare for problems before they happen. Certain field tests such as fluid testing, slip testing and electronic profile recording comparisons can be performed by our field service people or your own factory trained personnel. These tests can indicate problems before they become "down-time" difficulties.

## **SERVICE SCHOOLS**

Oilgear conducts training to train your maintenance personnel. "General" hydraulic or electronic training is conducted at our Milwaukee, Wisconsin plant on a regular basis. "Custom" training, specifically addressing your particular hydraulic and electro-hydraulic equipment, can be conducted at your facilities.

### **SPARE PARTS AVAILABILITY**

Prepare for your future needs by stocking Oilgear original factory parts. Having the correct parts and necessary skills "in-plant" enables you to minimize "down-time." Oilgear has developed parts kits to cover likely future needs. Oilgear Field Service Technicians are also ready to assist you and your maintenance people in troubleshooting and repairing equipment.



# SERVICE INSTRUCTIONS

## “PVWJ” A-FRAME PUMPS -011/-014/-022 FOR TYPE “P-1NN” AND “P-LNN” PRESSURE COMPENSATING CONTROLS

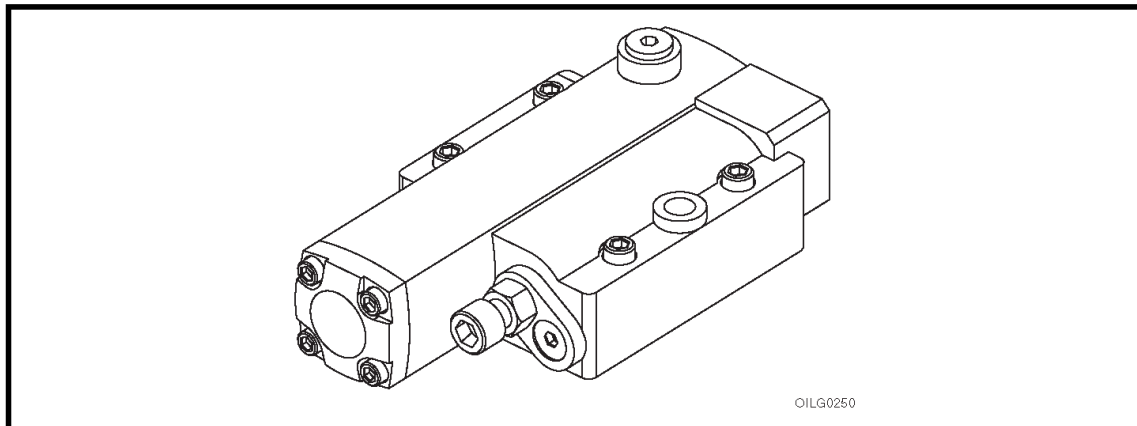


Figure 1. Typical Oilgear Type “P-1NN” and “P-LNN” Pressure Compensator Controls for “PVWJ” A-Frame Pump

### PURPOSE OF INSTRUCTIONS

These instructions will simplify the installation, operation and maintenance of Oilgear type “P-1NN” and “P-LNN” controlled units.

This material will inform you about the basic construction, principle of operation and service parts listings. Some controls may be modified for specific applications from those described in this bulletin and other changes may be made without notice.

### GENERAL REFERENCE MATERIAL

Fluid Recommendations .....	Bulletin 90000
Contamination Evaluation Guide .....	Bulletin 90004
Filtration Recommendations .....	Bulletin 90007
Piping Information .....	Bulletin 90011
Proper Installation of Vertical Pumps .....	Bulletin 90014
PVWJ Open Loop Pumps, Application Guidelines .....	Bulletin 847085
PVWJ Open Loop Pumps (All Frame Sizes) Service Instructions .....	Bulletin 947085
PVWJ Open Loop Pumps, Sales .....	Bulletin 47085

### PVWJ PUMP INSTALLATIONS

PVWJ A Frame (PVWJ-011/-014/-022) w/ Rear Ports .....	DS-47480
PVWJ A Frame (PVWJ-011/-014/-022) w/ Side Ports .....	DS-47481
PVWJ A Frame (PVWJ-011/-014/-022) w/ Side Ports & Thru Shaft .....	DS-47482

### PVWJ PUMP CONTROL INSTALLATIONS

“P-1NN” and “P-LNN” Pressure Compensator for PVWJ-011/-014/-022 .....	DS-47984
---	----------

**THE OILGEAR COMPANY**  
2300 South 51st Street  
Milwaukee, Wisconsin 53219  
www.oilgear.com

## Safety First

Read and understand this entire instruction sheet before repairing, or adjusting your Oilgear product.

Those who use and maintain this equipment must be thoroughly trained and familiar with the product. If incorrectly used or maintained, this product and its equipment can cause severe injury.

### SAFETY SYMBOLS

The following signal words are used in this instruction sheet to identify areas of concern where your safety may be involved. Carefully read the text and observe any instructions provided to ensure your safety.

#### **DANGER**

THIS SIGNAL WORD INDICATES AN IMMEDIATELY HAZARDOUS SITUATION WHICH, IF NOT AVOIDED, WILL RESULT IN DEATH OR SERIOUS INJURY.

#### **WARNING**

This signal word indicates a potentially hazardous situation which, if not avoided, could result in death or serious injury.

#### **CAUTION**

This signal word indicates that a potentially hazardous situation exists which, if not avoided, may result in damage to equipment or minor personal injury.

#### **NOTE**

*While not directly relevant to the topic being discussed, the NOTE is used to emphasize information provided, or provide additional information which may be of benefit.*

#### **WARNING**

This service information is designed for the maintenance of your Oilgear product. It contains the information on the correct procedures determined by Oilgear for the safe manner of servicing. Always keep this instruction sheet in a location where it is readily available for the persons who use and maintain the product. Additional copies of this instruction sheet are available through the Oilgear Company. Contact us at 414-327-1700 or visit our website: [www.oilgear.com](http://www.oilgear.com). Please contact us if you have any questions regarding the information in this instruction bulletin.

#### **NOTE**

*The cleanliness of working on this pump control or the hydraulic system is extremely important to the safety and reliability of the pump and the system. Always make sure the fittings are clean on the outside before removing them from their connections, are capped and plugged when removed and placed in a clean rag or container until they are reinstalled.*

#### **WARNING**

Some service operations may require special tools or equipment. If you require information on these items, please contact Oilgear before attempting these repairs and service operations.

#### **WARNING**

Read, understand and follow the safety guidelines, dangers and warnings contained in this instruction sheet to promote reliable operation and prevent serious personal injury.

#### **WARNING**

DO NOT attempt to service this machinery in an environment where safety regulations are not established and in place.

#### **WARNING**

DO NOT operate the hydraulic system if a leak is present. Serious injury may result.

#### **WARNING**

Hydraulic systems operate under very high pressure. Hydraulic fluid escaping from a pressurized system can penetrate unprotected body tissue. DO NOT inspect for hydraulic leaks with bare hands or other exposed body parts. As a minimum, wear leather gloves prior to inspecting for leaks and use cardboard or wood. If leaks are present, relieve pressure and allow system to cool prior to servicing. If injured by escaping hydraulic oil, contact a physician immediately. Serious complications may arise if not treated immediately. If you have questions regarding inspecting for hydraulic leaks, please contact Oilgear prior to servicing.



**⚠ WARNING**

Hydraulic hoses and tubing must be inspected on a daily basis for leaks, cuts, abrasions, damage and improper clearance along any mounting frame for hidden damage before the unit is put into service. Replace damaged hoses or hoses you suspect are damaged before the system is returned to service! Hoses must be replaced every two years. Failure to properly inspect and maintain the system may result in serious injury.

**⚠ WARNING**

Hydraulic systems are hot. DO NOT TOUCH! Serious personal injury may result from hot oil. When you have completed working on the hydraulic system, thoroughly clean any spilled oil from the equipment. Do not spill any hydraulic fluids on the ground. Clean any hydraulic fluids from your skin as soon as you have completed maintenance and repairs. Dispose of used oil and system filters as required by law.

**⚠ WARNING**

Use correct hoses, fittings, and adapters with the correct SAE rating when replacing hoses to prevent possible serious injury. Always replace hoses, fittings and adapters with replacements that have a proper, suitable, working pressure rating. Replacement hoses must be of the correct length and must comply with the hose manufacturer's and Oilgear's installation guidelines and recommendations.

**⚠ WARNING**

Hydraulic hoses have the SAE ratings marked on the hose to assist you in selecting the correct hose. The same manufacturer must supply any replacement hydraulic hoses and fitting assemblies. As an example: Brand "X" hose and brand "Y" fitting will not normally be compatible. No "Twist" is allowed in the hydraulic hoses. "Twist" may result in premature hose failure. This can cause serious injury. Please contact Oilgear for assistance when required.

**⚠ WARNING**

Hydraulic cylinders can be holding a function in a certain position when the pump is OFF. An example of this is a function being held in the lift or partial lift position by the cylinders. If a hydraulic line is removed or the hydraulic circuits or controls are being worked on, gravity may allow the function being held in position to drop. All workers and personnel must remain clear of these areas when working on or operating the hydraulic system. Block and secure all devices and functions which apply before beginning work or operation. Failure to comply with this can result in serious injury or death.

**⚠ WARNING**

Any hydraulic pipe which is replaced must conform to SAE J1065 specifications. If incorrect hydraulic pipe is installed, the hydraulic system may fail, causing serious injury. Damaged or leaking fittings, pipes or hoses must be replaced before the system is returned to service.

**⚠ WARNING**

DO NOT heat hydraulic pipe. The carbon content of this steel tube is such that if heated for bending, and either water or air quenched, the pipe may lose its ductility and thereby be subject to failure under high pressure conditions. Serious injury can result. Damaged or leaking pipes must be replaced before the system is returned to service. Please contact Oilgear if you require assistance or have questions.

**⚠ WARNING**

All hydraulic pressure must be relieved from the hydraulic system prior to removing any components from the system. To relieve the hydraulic pressure from the hydraulic system, turn off the motor and operate the control panel with the key in the ON position. Failure to comply can result in serious injury. If you have any questions concerning relieving the hydraulic pressure from the system, please contact Oilgear.

### **WARNING**

Hydraulic components can be heavy. Use caution while lifting these components. Serious personal injury can be avoided with proper handling of the components.

### **WARNING**

Please contact Oilgear if you require assistance. When performing hydraulic test procedures, use the proper hydraulic gauges. Installing an incorrect test gauge could result in serious injury if the gauge fails. Use properly rated hydraulic hoses to allow the test gauge to be read away from moving parts and functions.

### **WARNING**

Increasing hydraulic pressure beyond the recommendations may result in serious damage to the pump and system or serious personal injury and may void the Oilgear Warranty. If you have questions concerning hydraulic pressures or testing procedures, please contact Oilgear before attempting the test procedures or making adjustments.

### **WARNING**

An Oilgear pump or pump control must not be modified in any way without authorization from Oilgear. Modifications may not comply with safety standards, including ANSI safety standards, and may result in serious personal injury. Please contact Oilgear if you require assistance.

### **WARNING**

DO NOT enter under hydraulic supported equipment unless they are fully supported or blocked. Failure to follow this procedure can result in serious injury or death.

### **WARNING**

Any Oilgear pump safety decals must be replaced anytime they are damaged, missing or cannot be read clearly. Failure to have proper decals in place can result in serious injury or death. (If you require safety decals, please contact Oilgear for replacement safety decals, at no charge.)

### **WARNING**

Be sure everyone is clear of the area around the hydraulic system before operating after servicing. Remain attentive at all times when operating to check your work until you are completely sure it is safe to return to service. Failure to heed this warning may result in serious personal injury or death.

### **WARNING**

Wear the proper protective clothing when operating, servicing or maintaining the hydraulic system or the Oilgear pump. Wear the correct protective gear, safety glasses, gloves and safety shoes. Serious injury can result without proper protective gear.

### **WARNING**

Make sure to keep hands, feet and other parts of your body clear of revolving or moving parts. Failure to comply can cause serious injury.

### **WARNING**

DO NOT wear watches, rings or jewelry while working with electrical and mechanical equipment. These items can be hazardous and can cause serious and painful injuries if they come into contact with electrical wires, moving parts or hydraulic equipment.

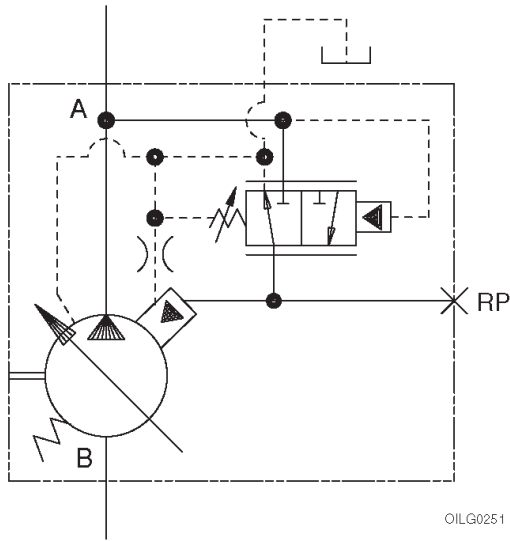


Figure 2. ASA Diagram for "P-1NN" or "P-LNN" Controls Shown with Typical Pump

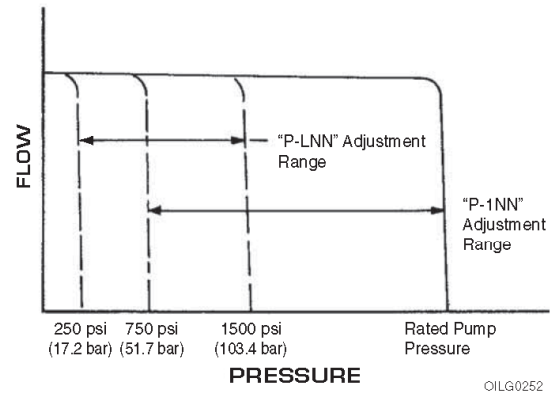


Figure 3. Curve Indicating Flow Versus Pressure for "P-1NN" or "P-LNN" Type Controls

## TROUBLESHOOTING

PROBLEM	CAUSES	REMEDY
<b>Unresponsive or Unstable Control</b>	Swashblock bearing surface and/or Saddle Bearings worn or damaged.	See appropriate pump service bulletin.
	Control Pin and/or hole in Swashblock worn significantly.	
	Saddle Bearing Locating Pins broken.	
	Fluid is contaminated.	Inspect and clean if necessary. See bulletin 90007.
	Control Piston orifice (732) plugged.	Inspect and clean if necessary.
	Contamination trapped between control piston (702) and piston bore is not allowing piston to move smoothly.	Inspect and clean if necessary. Replace scored or damaged parts.
	Contamination trapped between control spool (706) and spool bore is not allowing spool to move smoothly.	
	Faulty remote pressure compensator circuit components.	Inspect and replace if necessary.
	Hydraulic line between remote pressure compensator components and RP port of control is too long.	Shorten line length.
Insufficient control flow.	Increase size of control piston orifice (732).	
<b>Insufficient Outlet Volume</b>	Swashblock not stroking to desired displacement.	See appropriate pump service bulletin.
	Low input drive speed.	
	Worn or grooved Cylinder Barrel and/or Valve Plate mating surfaces.	
	Failed Driveshaft.	
	Worn or damaged Piston Shoes or Swashblock.	Inspect and replace if necessary.
	Worn Pistons and/or piston bores.	
	Control Piston stuck off stroke.	
	Maximum Volume Stop adjusted incorrectly.	
Pressure Compensator is set too close to operating pressure.	Adjust Pressure Compensator setting CW to increase setting.	
<b>Destrokes at low pressure</b>	Pressure compensator adjustment not set correctly.	Adjust Pressure Compensator setting CW to increase setting and retorque jam nut (715).
	Control Piston orifice (732) plugged.	Inspect and clean if necessary.
	Damaged or fractured control spring (items 708 and/or 709).	Inspect and replace if necessary.
	Severely worn control spool (706) and/or spool bore.	
	Damaged or fractured control piston spring (item 703).	
Faulty remote pressure compensator circuit components.		
<b>Excessive peak pressure</b>	Pressure Compensator is set too high.	Adjust Pressure Compensator setting CCW to decrease setting.
	Minimum Volume Stop is set too high.	Adjust Minimum Volume Stop CCW to decrease outlet flow.
	Fluid is contaminated.	Inspect and clean if necessary. See bulletin 90007.
	Swashblock bearing surface and/or Saddle Bearings worn or damaged.	See appropriate pump service bulletin.
	Contamination trapped between control piston (702) and piston bore is not allowing piston to move smoothly.	Inspect and clean if necessary. Replace scored or damaged parts.
	Contamination trapped between control spool (706) and spool bore is not allowing spool to move smoothly.	
	Hydraulic line between remote pressure compensator components and RP port of control is too long.	Shorten line length.
	Faulty remote pressure compensator circuit components.	Inspect and replace if necessary.
Restriction in drilled passages between pump outlet port and control spool.	Inspect and clean if necessary.	

## PRINCIPLE OF OPERATION

The pressure compensator control ensures maximum pump flow until the system reaches the controls preset pressure setting. The control then regulates the pump output flow to match the flow requirements of the system, while maintaining the preset output pressure.

When the system pressure exceeds the compensator control setting, or the system no longer requires flow, the control de-strokes the pump while maintaining the preset pressure.

“P-1NN” controls can be adjusted from 750 psi (51,7 bar) working pressure up to the maximum pressure rating of the applicable pump. “P-LNN” controls can be adjusted from 250 psi (17,2 bar) up to a maximum of 1500 psi (103,4 bar).

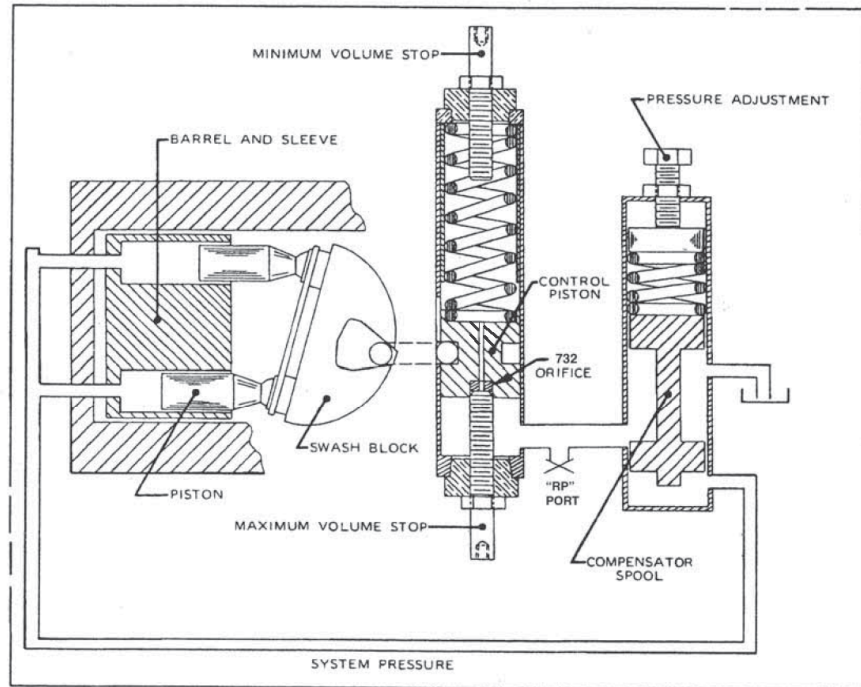


Figure 4. Swashblock at Full Delivery and “P-1NN” or “P-LNN” Controls at Maximum Volume Stop

## LINE MOUNTED REMOTE PRESSURE CONTROL FOR TYPE "P-1NN" AND "P-LNN" PUMP CONTROLS - VSR (REMOTE SEQUENCE VALVE)

Remote operation of "P-1NN" and "P-LNN" controls can be accomplished by installing an Oilgear VSR Module at the location shown in the control circuit. Use module L51542 for units rated continuously for 4000 psi (275,8 bar) or less. Use L51542-1 for units rated above 4000 psi (275,8 bar).

**NOTE**

To minimize case leakage and power loss, plug the control drain port with a #10-24 UNC setscrew to maintain the standard "P-1NN" or "P-LNN" control case leakage. The plug will increase response time. The plug will increase response time. Standard response time can be obtained by installing a .040 inch (1,0 mm) orifice instead of plugging it.

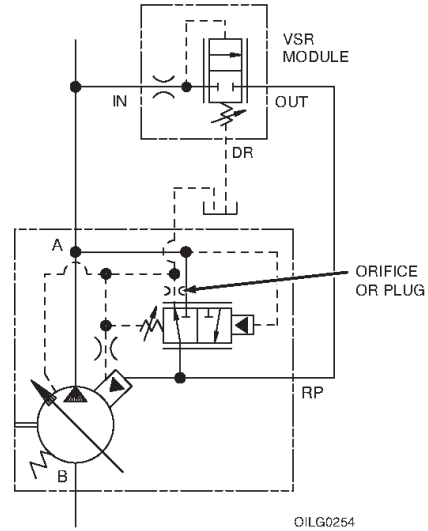


Figure 5. "P-1NN" and "P-LNN" Control Circuit with Remote Pressure Control

DRAIN PORT AS VIEWED FROM UNDERSIDE OF CONTROL BODY. NOTE: THIS IS AN ANGLED HOLE.

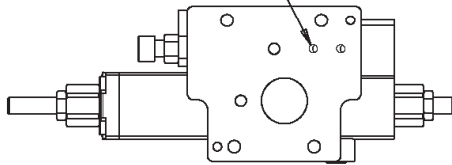


Figure 7. "P-1NN" and "P-LNN" Control Drain Port Location

**NOTE**

The compensator setting on the pump control must be set at least 200 psi (13,8 bar) higher than the required pressure setting of the remote compensator module to prevent the pump compensator control from interacting with the remote compensator module.

## SCREW AND PLUG TORQUES FOR CONTROLS

Item Number	Description	Head Type & Size	Tightening Torque
601	SAE #2 Plug	1/8" Internal Hex	45 in.-lbs (5 N·m)
603	SAE #4 Plug	3/16" Internal Hex	120 in.-lbs (14 N·m)
606	SAE #8 Plug	5/16" Internal Hex	45 ft.-lbs (61 N·m)
711	PC Adjuster Screw LHCS	3/32" Internal Hex	57 in.-lbs (6 N·m)
714	Adjuster Plate Screw	5/32" Internal Hex	80 in.-lbs (9 N·m)
720	Max. or Min. Volume Stop Housing	7/8" External Hex	50 ft.-lbs (68 N·m)
722	End Cap Screws	5/32" Internal Hex	80 in.-lbs (9 N·m)
723	Control Body Screws	3/16" Internal Hex	120 in.-lbs (14 N·m)
732	Control Piston Orifice	3/32" Internal Hex	20 in.-lbs (2.3 N·m)

## CONTROL O-RING SEALS

Item Number	ARP 568 Uniform Size Number	Shore A Durometer
1010	-010	90
1011	-011	90
1020	-020	90
1113	-113	90
1145	-145	70
1902	-902	90
1904	-904	90
1908	-908	90

## A-Frame PVWJ -011/-014/-022 “P-1NN” and “P-LNN”

### PARTS LIST

Parts used in these assemblies are per Oilgear specifications. Use only Oilgear parts to ensure compatibility with assembly requirements. When ordering replacement parts, be sure to include pump type and serial number, bulletin number and item number. Specify type of hydraulic fluid to ensure seal and packing compatibility.

**NOTE** *Parts drawings may not be identical to Oilgear drawings referenced.*

#### PVWJ A-FRAME -011/-014/-022 PRESSURE COMPENSATOR CONTROLS (“P-1NN” STANDARD & “P-LNN” LOW PRESSURE CONTROLS)

Item	Description
	<b>COMMON PARTS GROUP</b>
601	SAE#2 Plug
603	SAE#4 Plug
606	SAE#8 Plug
701	Control Block
702	Control Piston
703	Control Piston Spring
705	End Cap
706	Pressure Compensator Control Spool
707	Spring Seat
708	Pressure Compensator Spring (Outer)
709*	Pressure Compensator Spring (Inner)
710	Control Plug
711	Screw
712	Shims
713	Adjuster Plate
714	Screw
715	Jam Nut
716	Pressure Compensator Adjustment Screw
717	Min. Volume Stop Stem
718	Max. Volume Stop Stem
719	Jam Nut
720	Volume Stop Housing
721	Control Pin
722	Screw, End Cap
723	Screw, Control Body
732	Orifice
1010	O-Ring
1011	O-Ring
1020	O-Ring
1113	O-Ring
1145	O-Ring
1902	O-Ring
1904	O-Ring
1908	O-Ring

\*Only used in P-1 Control.



## A-Frame PVWJ -011/-014/-022 “P-1NN” and “P-LNN”

### SERVICE KITS

Document Number: 519975-SK1

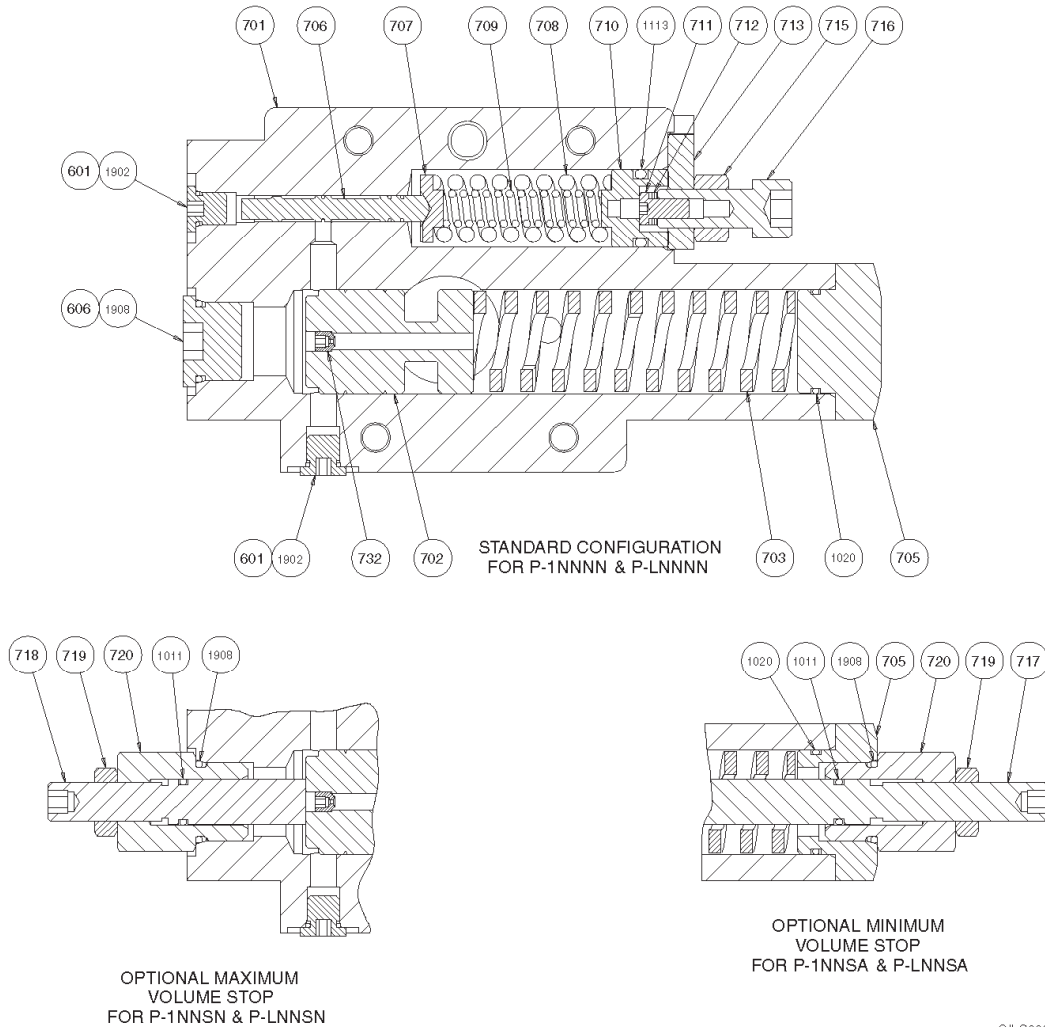
#### PVWJ Service Kits

Revision: New

Reference 519975-101  
SERVICE KIT, Figures 8 & 9

Description	Kit No.	Design Series	Items Included (quantity is 1 unless noted)
<b>Main Control Body Kits</b>			
PVWJ-011	K50460-100	A1	701, 706
PVWJ-014/-022	K50460-200	A1	701, 706
<b>Control Piston Kits</b>			
All Models	K50521	A1	702, 732
<b>Pressure Compensator Spools</b>			
PVWJ-011	50015-100	A1	706
PVWJ-014/-022	50015-200	A1	706
<b>Control Spring Kits</b>			
P-LNN (All Models)	K50036-103	A1	703, 708
PVWJ-011 P-1NN	K50036-106	A1	703, 708
PVWJ-014/-022 P-1NN	K50036-109	A1	703, 708, 709
<b>Control Pins</b>			
All Models	50623-5	A1	721
<b>Volume Stop Kits</b>			
Maximum Volume Stop (All Models)	K50590	A1	718, 719, 720, 1011, 1908
Minimum Volume Stop (All Models)	K50590-100	A1	705, 717, 719, 720, 1011, 1020, 1908
<b>Pressure Compensator Adjuster Kits</b>			
All Models	K50660-100	A1	710, 711, 712, 713, 715, 716, 1113
<b>Control Seal Kit</b>			
All Models	K50824-100	A1	1010, 1011, 1020, 1113, 1145, 1902, 1904, 1908

## A-Frame PVWJ -011/-014/-022 “P-1NN” and “P-LNN”



OILG0256

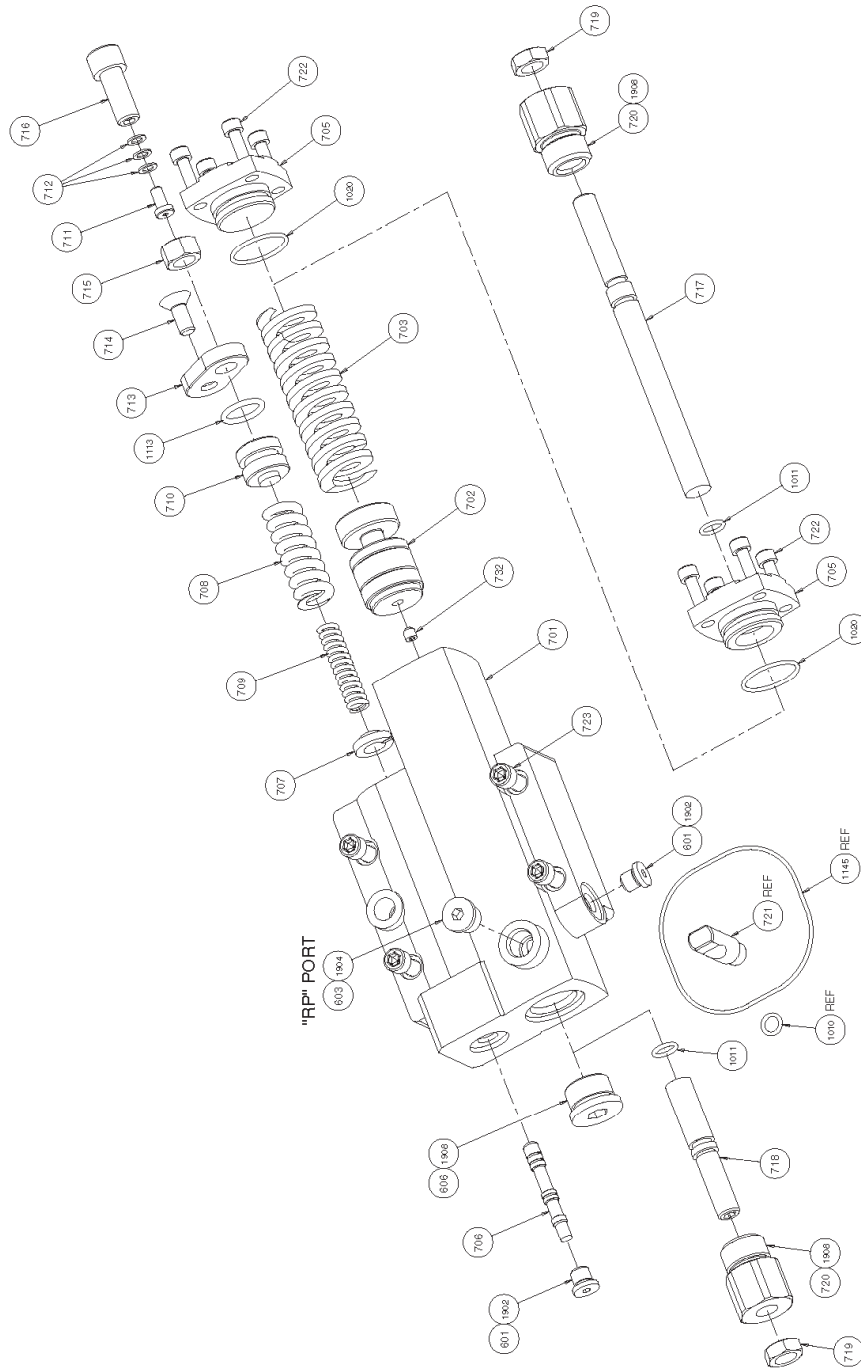
Figure 8. Parts Drawing for “P-1NN” and “P-LNN” Control (519975-101 sheet 1)

### MAXIMUM AND MINIMUM VOLUME STOP

The maximum volume stop can be adjusted to attain a maximum volume from full to 25% of full flow. The pump can be de-stroked from full to 25% flow with eight half-turns of the volume stop. One turn clockwise will decrease maximum pump outlet flow 9%.

The minimum volume stop can be adjusted to attain a minimum volume from zero to full flow. One turn clockwise will increase minimum pump outlet flow 9%.

# A-Frame PVWJ -011/-014/-022 "P-1NN" and "P-LNN"



OILG0257

Figure 9. Exploded Parts Drawing for "P-1NN" and "P-LNN" Control (519975-101 sheet 2)





---

## **AFTER SALES SERVICES**

At Oilgear we build products to last. It is the nature of this type of machinery to require proper maintenance regardless of the care we put into manufacturing. Oilgear has several service programs in place to help you.

### **STAY-ON-STREAM SERVICE**

By signing up for Oilgear's Stay-On-Stream program, you can prepare for problems before they happen. Certain field tests such as fluid testing, slip testing and electronic profile recording comparisons can be performed by our field service people or your own factory trained personnel. These tests can indicate problems before they become "down-time" difficulties.

## **SERVICE SCHOOLS**

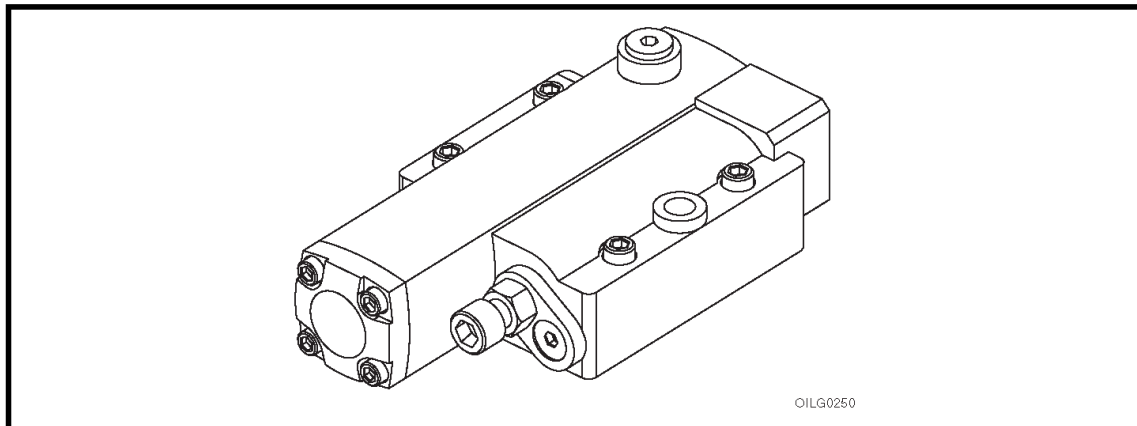
Oilgear conducts training to train your maintenance personnel. "General" hydraulic or electronic training is conducted at our Milwaukee, Wisconsin plant on a regular basis. "Custom" training, specifically addressing your particular hydraulic and electro-hydraulic equipment, can be conducted at your facilities.

### **SPARE PARTS AVAILABILITY**

Prepare for your future needs by stocking Oilgear original factory parts. Having the correct parts and necessary skills "in-plant" enables you to minimize "down-time." Oilgear has developed parts kits to cover likely future needs. Oilgear Field Service Technicians are also ready to assist you and your maintenance people in troubleshooting and repairing equipment.



**SERVICE INSTRUCTIONS**  
**“PVWJ” B-FRAME PUMPS -025/-034/-046**  
**FOR TYPE “P-1NN” AND “P-LNN”**  
**PRESSURE COMPENSATING CONTROLS**



**Figure 1. Typical Oilgear Type “P-1NN” and “P-LNN” Pressure Compensator Controls for “PVWJ” B-Frame Pump**

**PURPOSE OF INSTRUCTIONS**

These instructions will simplify the installation, operation and maintenance of Oilgear type “P-1NN” and “P-LNN” controlled units.

This material will inform you about the basic construction, principle of operation and service parts listings. Some controls may be modified for specific applications from those described in this bulletin and other changes may be made without notice.

**REFERENCE MATERIAL**

Fluid Recommendations .....	Bulletin 90000
Contamination Evaluation Guide .....	Bulletin 90004
Filtration Recommendations .....	Bulletin 90007
Piping Information .....	Bulletin 90011
Proper Installation of Vertical Pumps .....	Bulletin 90014
PVWJ Open Loop Pumps, Application Guidelines .....	Bulletin 847085
PVWJ Open Loop Pumps (All Frame Sizes) Service Instructions .....	Bulletin 947085
PVWJ Open Loop Pumps, Sales .....	Bulletin 47085

**PVWJ PUMP INSTALLATIONS**

PVWJ B Frame (PVWJ-025/-034/-046) w/ Rear Ports .....	DS-47483
PVWJ B Frame (PVWJ-025/-034/-046) w/ Side Ports .....	DS-47484
PVWJ B Frame (PVWJ-025/-034/-046) w/ Side Ports & Thru Shaft .....	DS-47485

**PVWJ PUMP CONTROL INSTALLATIONS**

“P-1NN” and “P-LNN” Pressure Compensator for PVWJ-025/-034/-046 .....	DS-47985
---	----------

**THE OILGEAR COMPANY**  
 2300 South 51st Street  
 Milwaukee, Wisconsin 53219  
 www.oilgear.com

## Safety First

Read and understand this entire instruction sheet before repairing, or adjusting your Oilgear product.

Those who use and maintain this equipment must be thoroughly trained and familiar with the product. If incorrectly used or maintained, this product and its equipment can cause severe injury.

### SAFETY SYMBOLS

The following signal words are used in this instruction sheet to identify areas of concern where your safety may be involved. Carefully read the text and observe any instructions provided to ensure your safety.

#### **DANGER**

THIS SIGNAL WORD INDICATES AN IMMEDIATELY HAZARDOUS SITUATION WHICH, IF NOT AVOIDED, WILL RESULT IN DEATH OR SERIOUS INJURY.

#### **WARNING**

This signal word indicates a potentially hazardous situation which, if not avoided, could result in death or serious injury.

#### **CAUTION**

This signal word indicates that a potentially hazardous situation exists which, if not avoided, may result in damage to equipment or minor personal injury.

#### **NOTE**

*While not directly relevant to the topic being discussed, the NOTE is used to emphasize information provided, or provide additional information which may be of benefit.*

#### **WARNING**

This service information is designed for the maintenance of your Oilgear product. It contains the information on the correct procedures determined by Oilgear for the safe manner of servicing. Always keep this instruction sheet in a location where it is readily available for the persons who use and maintain the product. Additional copies of this instruction sheet are available through the Oilgear Company. Contact us at 414-327-1700 or visit our website: [www.oilgear.com](http://www.oilgear.com). Please contact us if you have any questions regarding the information in this instruction bulletin.

#### **NOTE**

*The cleanliness of working on this pump control or the hydraulic system is extremely important to the safety and reliability of the pump and the system. Always make sure the fittings are clean on the outside before removing them from their connections, are capped and plugged when removed and placed in a clean rag or container until they are reinstalled.*

#### **WARNING**

Some service operations may require special tools or equipment. If you require information on these items, please contact Oilgear before attempting these repairs and service operations.

#### **WARNING**

Read, understand and follow the safety guidelines, dangers and warnings contained in this instruction sheet to promote reliable operation and prevent serious personal injury.

#### **WARNING**

DO NOT attempt to service this machinery in an environment where safety regulations are not established and in place.

#### **WARNING**

DO NOT operate the hydraulic system if a leak is present. Serious injury may result.

#### **WARNING**

Hydraulic systems operate under very high pressure. Hydraulic fluid escaping from a pressurized system can penetrate unprotected body tissue. DO NOT inspect for hydraulic leaks with bare hands or other exposed body parts. As a minimum, wear leather gloves prior to inspecting for leaks and use cardboard or wood. If leaks are present, relieve pressure and allow system to cool prior to servicing. If injured by escaping hydraulic oil, contact a physician immediately. Serious complications may arise if not treated immediately. If you have questions regarding inspecting for hydraulic leaks, please contact Oilgear prior to servicing.



**⚠ WARNING**

Hydraulic hoses and tubing must be inspected on a daily basis for leaks, cuts, abrasions, damage and improper clearance along any mounting frame for hidden damage before the unit is put into service. Replace damaged hoses or hoses you suspect are damaged before the system is returned to service! Hoses must be replaced every two years. Failure to properly inspect and maintain the system may result in serious injury.

**⚠ WARNING**

Hydraulic systems are hot. DO NOT TOUCH! Serious personal injury may result from hot oil. When you have completed working on the hydraulic system, thoroughly clean any spilled oil from the equipment. Do not spill any hydraulic fluids on the ground. Clean any hydraulic fluids from your skin as soon as you have completed maintenance and repairs. Dispose of used oil and system filters as required by law.

**⚠ WARNING**

Use correct hoses, fittings, and adapters with the correct SAE rating when replacing hoses to prevent possible serious injury. Always replace hoses, fittings and adapters with replacements that have a proper, suitable, working pressure rating. Replacement hoses must be of the correct length and must comply with the hose manufacturer's and Oilgear's installation guidelines and recommendations.

**⚠ WARNING**

Hydraulic hoses have the SAE ratings marked on the hose to assist you in selecting the correct hose. The same manufacturer must supply any replacement hydraulic hoses and fitting assemblies. As an example: Brand "X" hose and brand "Y" fitting will not normally be compatible. No "Twist" is allowed in the hydraulic hoses. "Twist" may result in premature hose failure. This can cause serious injury. Please contact Oilgear for assistance when required.

**⚠ WARNING**

Hydraulic cylinders can be holding a function in a certain position when the pump is OFF. An example of this is a function being held in the lift or partial lift position by the cylinders. If a hydraulic line is removed or the hydraulic circuits or controls are being worked on, gravity may allow the function being held in position to drop. All workers and personnel must remain clear of these areas when working on or operating the hydraulic system. Block and secure all devices and functions which apply before beginning work or operation. Failure to comply with this can result in serious injury or death.

**⚠ WARNING**

Any hydraulic pipe which is replaced must conform to SAE J1065 specifications. If incorrect hydraulic pipe is installed, the hydraulic system may fail, causing serious injury. Damaged or leaking fittings, pipes or hoses must be replaced before the system is returned to service.

**⚠ WARNING**

DO NOT heat hydraulic pipe. The carbon content of this steel tube is such that if heated for bending, and either water or air quenched, the pipe may lose its ductility and thereby be subject to failure under high pressure conditions. Serious injury can result. Damaged or leaking pipes must be replaced before the system is returned to service. Please contact Oilgear if you require assistance or have questions.

**⚠ WARNING**

All hydraulic pressure must be relieved from the hydraulic system prior to removing any components from the system. To relieve the hydraulic pressure from the hydraulic system, turn off the motor and operate the control panel with the key in the ON position. Failure to comply can result in serious injury. If you have any questions concerning relieving the hydraulic pressure from the system, please contact Oilgear.

### **WARNING**

Hydraulic components can be heavy. Use caution while lifting these components. Serious personal injury can be avoided with proper handling of the components.

### **WARNING**

Please contact Oilgear if you require assistance. When performing hydraulic test procedures, use the proper hydraulic gauges. Installing an incorrect test gauge could result in serious injury if the gauge fails. Use properly rated hydraulic hoses to allow the test gauge to be read away from moving parts and functions.

### **WARNING**

Increasing hydraulic pressure beyond the recommendations may result in serious damage to the pump and system or serious personal injury and may void the Oilgear Warranty. If you have questions concerning hydraulic pressures or testing procedures, please contact Oilgear before attempting the test procedures or making adjustments.

### **WARNING**

An Oilgear pump or pump control must not be modified in any way without authorization from Oilgear. Modifications may not comply with safety standards, including ANSI safety standards, and may result in serious personal injury. Please contact Oilgear if you require assistance.

### **WARNING**

DO NOT enter under hydraulic supported equipment unless they are fully supported or blocked. Failure to follow this procedure can result in serious injury or death.

### **WARNING**

Any Oilgear pump safety decals must be replaced anytime they are damaged, missing or cannot be read clearly. Failure to have proper decals in place can result in serious injury or death. (If you require safety decals, please contact Oilgear for replacement safety decals, at no charge.)

### **WARNING**

Be sure everyone is clear of the area around the hydraulic system before operating after servicing. Remain attentive at all times when operating to check your work until you are completely sure it is safe to return to service. Failure to heed this warning may result in serious personal injury or death.

### **WARNING**

Wear the proper protective clothing when operating, servicing or maintaining the hydraulic system or the Oilgear pump. Wear the correct protective gear, safety glasses, gloves and safety shoes. Serious injury can result without proper protective gear.

### **WARNING**

Make sure to keep hands, feet and other parts of your body clear of revolving or moving parts. Failure to comply can cause serious injury.

### **WARNING**

DO NOT wear watches, rings or jewelry while working with electrical and mechanical equipment. These items can be hazardous and can cause serious and painful injuries if they come into contact with electrical wires, moving parts or hydraulic equipment.

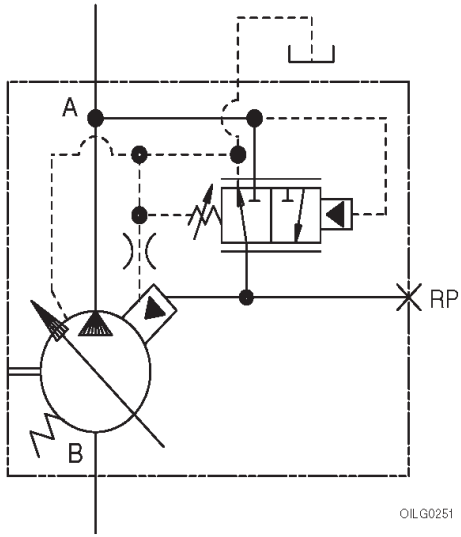


Figure 2. ASA Diagram for "P-1NN" or "P-LNN" Controls Shown with Typical Pump

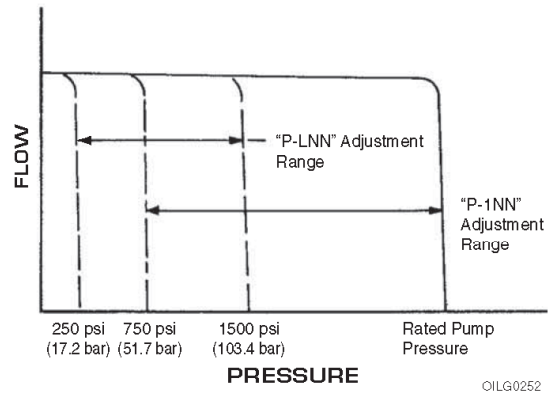


Figure 3. Curve Indicating Flow Versus Pressure for "P-1NN" or "P-LNN" Type Controls

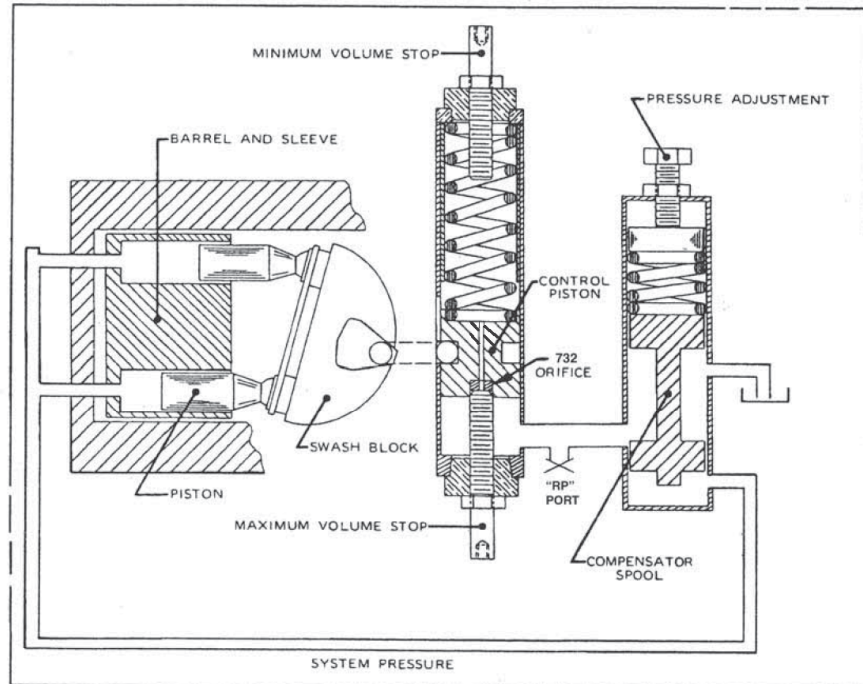
TROUBLESHOOTING		
PROBLEM	CAUSES	REMEDY
<b>Unresponsive or Unstable Control</b>	Swashblock bearing surface and/or Saddle Bearings worn or damaged.	See appropriate pump service bulletin.
	Control Pin and/or hole in Swashblock worn significantly.	
	Saddle Bearing Locating Pins broken.	
	Fluid is contaminated.	Inspect and clean if necessary. See bulletin 90007.
	Control Piston orifice (732) plugged.	Inspect and clean if necessary.
	Contamination trapped between control piston (702) and piston bore is not allowing piston to move smoothly.	Inspect and clean if necessary. Replace scored or damaged parts.
	Contamination trapped between control spool (706) and spool bore is not allowing spool to move smoothly.	
	Faulty remote pressure compensator circuit components.	Inspect and replace if necessary.
	Hydraulic line between remote pressure compensator components and RP port of control is too long.	Shorten line length.
Insufficient control flow.	Increase size of control piston orifice (732).	
<b>Insufficient Outlet Volume</b>	Swashblock not stroking to desired displacement.	See appropriate pump service bulletin.
	Low input drive speed.	
	Worn or grooved Cylinder Barrel and/or Valve Plate mating surfaces.	
	Failed Driveshaft.	
	Worn or damaged Piston Shoes or Swashblock.	
	Worn Pistons and/or piston bores.	Inspect and replace if necessary.
	Control Piston stuck off stroke.	
	Maximum Volume Stop adjusted incorrectly.	
Pressure Compensator is set too close to operating pressure.	Adjust Pressure Compensator setting CW to increase setting.	
<b>Destrokes at low pressure</b>	Pressure compensator adjustment not set correctly.	Adjust Pressure Compensator setting CW to increase setting and retorque jam nut (715).
	Control Piston orifice (732) plugged.	Inspect and clean if necessary.
	Damaged or fractured control spring (items 708 and/or 709).	Inspect and replace if necessary.
	Severely worn control spool (706) and/or spool bore.	
	Damaged or fractured control piston spring (item 703).	
	Faulty remote pressure compensator circuit components.	
<b>Excessive peak pressure</b>	Pressure Compensator is set too high.	Adjust Pressure Compensator setting CCW to decrease setting.
	Minimum Volume Stop is set too high.	Adjust Minimum Volume Stop CCW to decrease outlet flow.
	Fluid is contaminated.	Inspect and clean if necessary. See bulletin 90007.
	Swashblock bearing surface and/or Saddle Bearings worn or damaged.	See appropriate pump service bulletin.
	Contamination trapped between control piston (702) and piston bore is not allowing piston to move smoothly.	Inspect and clean if necessary. Replace scored or damaged parts.
	Contamination trapped between control spool (706) and spool bore is not allowing spool to move smoothly.	
	Hydraulic line between remote pressure compensator components and RP port of control is too long.	Shorten line length.
	Faulty remote pressure compensator circuit components.	Inspect and replace if necessary.
	Restriction in drilled passages between pump outlet port and control spool.	Inspect and clean if necessary.

## PRINCIPLE OF OPERATION

The pressure compensator control ensures maximum pump flow until the system reaches the controls preset pressure setting. The control then regulates the pump output flow to match the flow requirements of the system, while maintaining the preset output pressure.

When the system pressure exceeds the compensator control setting, or the system no longer requires flow, the control de-strokes the pump while maintaining the preset pressure.

“P-1NN” controls can be adjusted from 750 psi (51,7 bar) working pressure up to the maximum pressure rating of the applicable pump. “P-LNN” controls can be adjusted from 250 psi (17,2 bar) up to a maximum of 1500 psi (103,4 bar).



OILG0253

Figure 4. Swashblock at Full Delivery and “P-1NN” or “P-LNN” Controls at Maximum Volume Stop

## LINE MOUNTED REMOTE PRESSURE CONTROL FOR TYPE "P-1NN" AND "P-LNN" PUMP CONTROLS - VSR (REMOTE SEQUENCE VALVE)

Remote operation of "P-1NN" and "P-LNN" controls can be accomplished by installing an Oilgear VSR Module at the location shown in the control circuit. Use module L51542 for units rated continuously for 4000 psi (275,8 bar) or less. Use L51542-1 for units rated above 4000 psi (275,8 bar).

**NOTE**

To minimize case leakage and power loss, plug the control drain port with a #10-24 UNC setscrew to maintain the standard "P-1NN" or "P-LNN" control case leakage. The plug will increase response time. Standard response time can be obtained by installing a .040 inch (1,0 mm) orifice instead of plugging it.

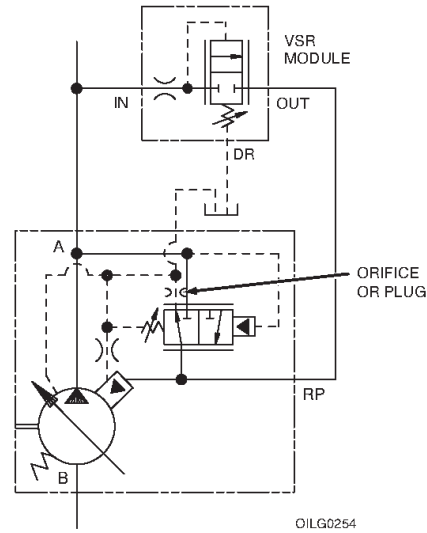
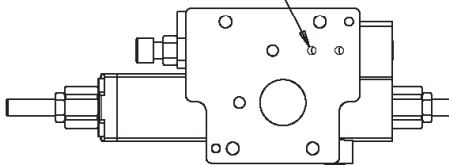


Figure 5. "P-1NN" and "P-LNN" Control Circuit with Remote Pressure Control

DRAIN PORT AS VIEWED FROM UNDERSIDE OF CONTROL BODY.



OILG0255

Figure 7. "P-1NN" and "P-LNN" Control Drain Port Location

**NOTE**

The compensator setting on the pump control must be set at least 200 psi (13,8 bar) higher than the required pressure setting of the remote compensator module to prevent the pump compensator control from interacting with the remote compensator module.

**SCREW AND PLUG TORQUES  
FOR CONTROLS**

Item Number	Description	Head Type & Size	Tightening Torque
601	SAE #2 Plug	1/8" Internal Hex	45 in.-lbs (5 N·m)
603	SAE #4 Plug	3/16" Internal Hex	120 in.-lbs (14 N·m)
606	SAE #8 Plug	5/16" Internal Hex	45 ft.-lbs (61 N·m)
711	PC Adjuster Screw LHCS	3/32" Internal Hex	57 in.-lbs (6 N·m)
714	Adjuster Plate Screw	5/32" Internal Hex	80 in.-lbs (9 N·m)
720	Max. or Min. Volume Stop Housing	7/8" External Hex	50 ft.-lbs (68 N·m)
722	End Cap Screws	3/16" Internal Hex	120 in.-lbs (14 N·m)
723	Control Body Screws	3/16" Internal Hex	120 in.-lbs (14 N·m)
732	Control Piston Orifice	3/32" Internal Hex	20 in.-lbs (2.3 N·m)

**CONTROL O-RING SEALS**

Item Number	ARP 568 Uniform Size Number	Shore A Durometer
1010	-010	90
1011	-011	90
1113	-113	90
1125	-125	90
1237	-237	70
1902	-902	90
1904	-904	90
1908	-908	90

## B-Frame PVWJ -025/-034/-046 “P-1NN” and “P-LNN”

### PARTS LIST

Parts used in these assemblies are per Oilgear specifications. Use only Oilgear parts to ensure compatibility with assembly requirements. When ordering replacement parts, be sure to include pump type and serial number, bulletin number and item number. Specify type of hydraulic fluid to ensure seal and packing compatibility.

**NOTE** *Parts drawings may not be identical to Oilgear drawings referenced.*

#### PVWJ-025/-034/-046 PRESSURE COMPENSATOR CONTROLS (“P-1NN” STANDARD & “P-LNN” LOW PRESSURE CONTROLS)

Item	Description
<b>COMMON PARTS GROUP</b>	
601	SAE#2 Plug
603	SAE#4 Plug
606	SAE#8 Plug
701	Control Block
702	Control Piston
703	Control Piston Spring
704	Piston Stop
705	End Cap
706	Pressure Compensator Control Spool
707	Spring Seat
708	Pressure Compensator Spring (Outer)
709*	Pressure Compensator Spring (Inner)
710	Control Plug
711	Screw
712	Shims
713	Adjuster Plate
714	Screw
715	Jam Nut
716	Pressure Compensator Adjustment Screw
717	Min. Volume Stop Stem
718	Max. Volume Stop Stem
719	Jam Nut
720	Volume Stop Housing
721	Control Pin
722	Screw, End Cap
723	Screw, Control Body
732	Orifice
1010	O-Ring
1011	O-Ring
1113	O-Ring
1125	O-Ring
1237	O-Ring
1902	O-Ring
1904	O-Ring
1908	O-Ring

\*Only used in P-1 Control.



## B-Frame PVWJ -025/-034/-046 “P-1NN” and “P-LNN”

### SERVICE KITS

Document Number: 519975-SK2

#### PVWJ Service Kits

Revision: New

Reference 519975-201  
SERVICE KIT, Figures 8 & 9

Description	Kit No.	Design Series	Items Included (quantity is 1 unless noted)
<b>Main Control Body Kits</b>			
PVWJ-025	K50432-100	A1	701, 706
PVWJ-034/-046	K50432-200	A1	701, 706
<b>Control Piston Kits</b>			
All Models	K50484	A1	702, 732
<b>Pressure Compensator Spools</b>			
PVWJ-025	50015-100	A1	706
PVWJ-034/-046	50015-200	A1	706
<b>Control Spring Kits</b>			
P-LNN (All Models)	K50036-104	A1	703, 708
PVWJ-025 P-1NN	K50036-107	A1	703, 708
PVWJ-034/-046 P-1NN	K50036-110	A1	703, 708, 709
<b>Control Pins</b>			
All Models	51339-5	A1	721
<b>Volume Stop Kits</b>			
Maximum Volume Stop (All Models)	K50590	A1	718, 719, 720, 1011, 1908
Minimum Volume Stop (All Models)	K50590-200	A1	705, 717, 719, 720, 1011, 1020, 1908
<b>Pressure Compensator Adjuster Kits</b>			
All Models	K50660-200	A1	710, 711, 712, 713, 715, 716, 1113
<b>Control Seal Kit</b>			
All Models	K50824-200	A1	1010, 1011, 1113, 1125, 1237, 1902, 1904, 1908

## B-Frame PVWJ -025/-034/-046 "P-1NN" and "P-LNN"

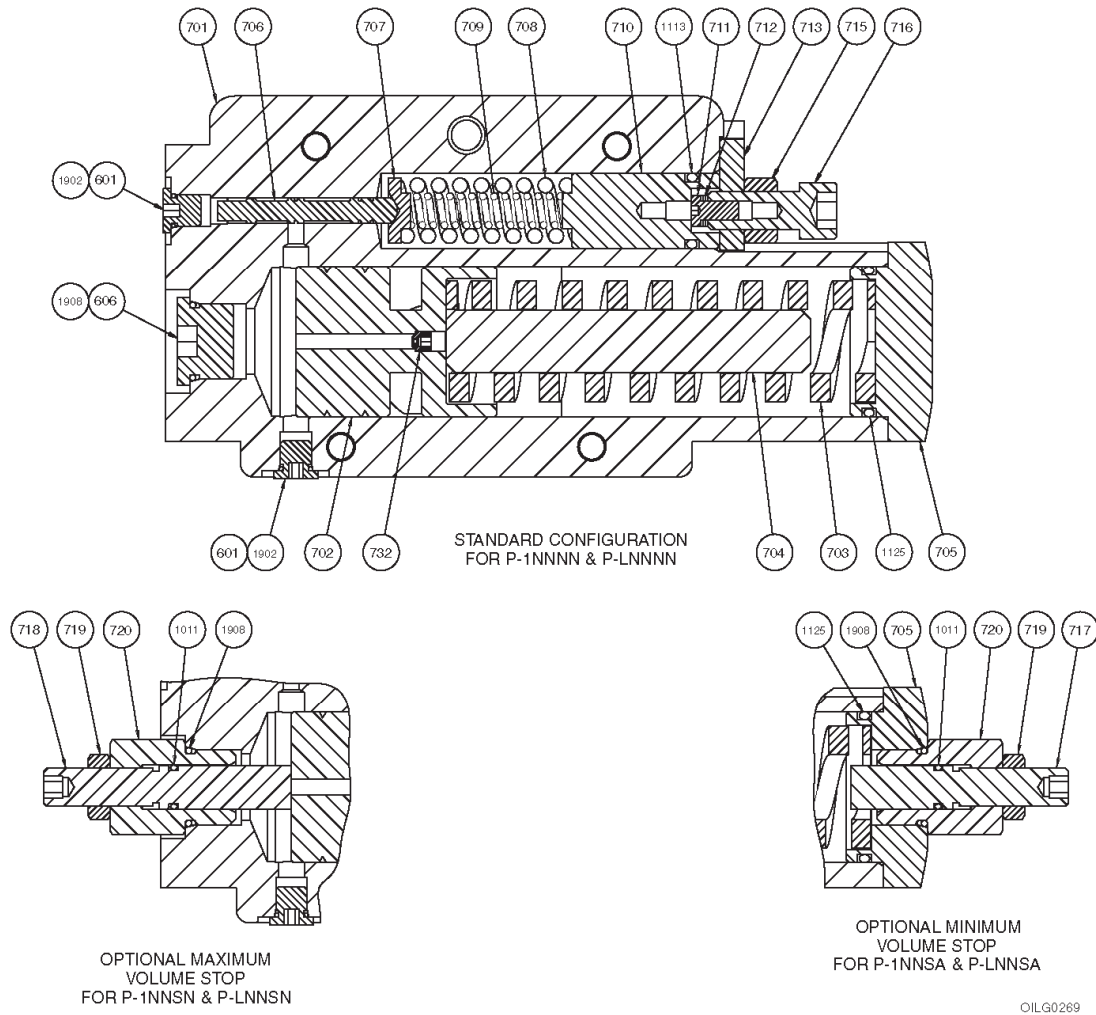


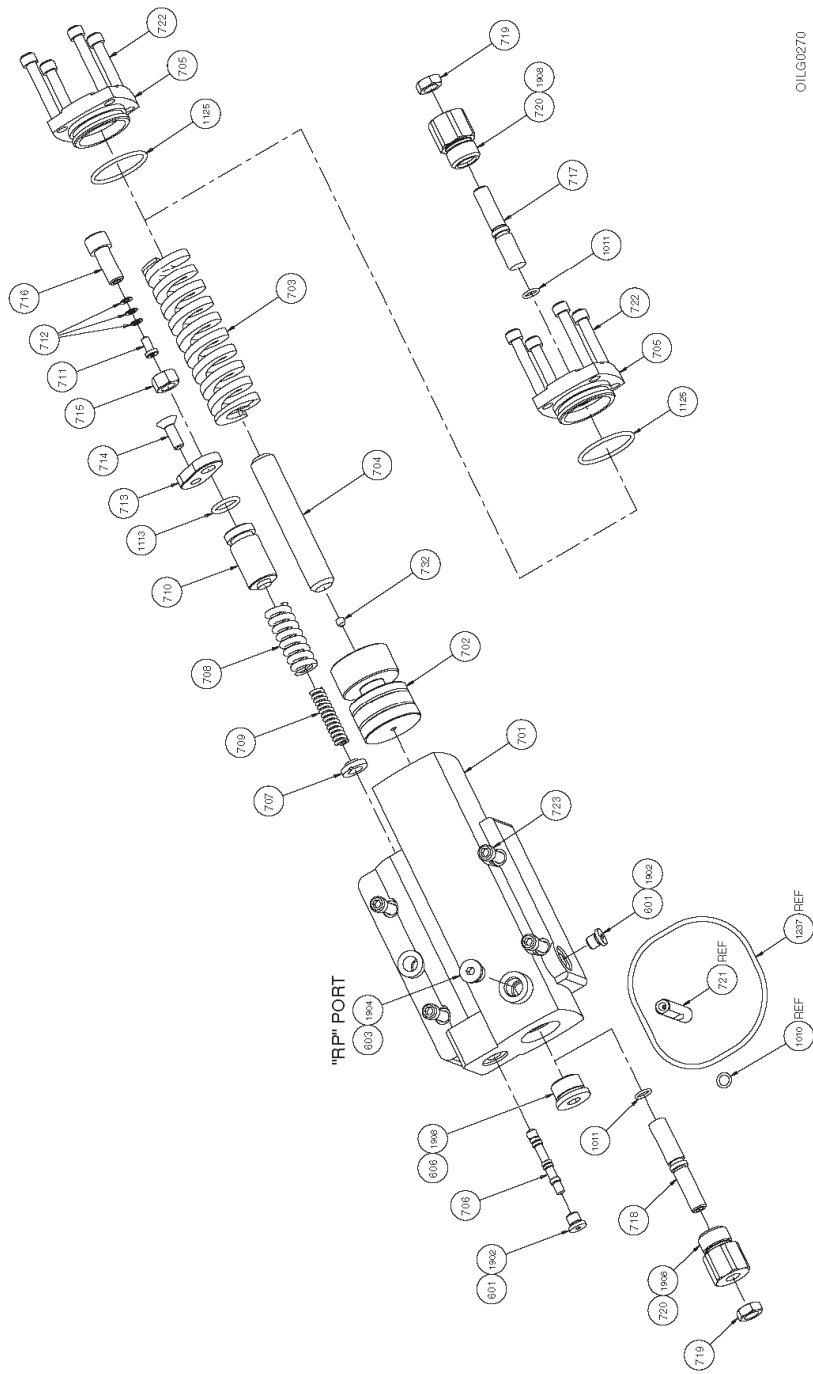
Figure 8. Parts Drawing for "P-1NN" and "P-LNN" Control (519975-201 sheet 1)

### MAXIMUM AND MINIMUM VOLUME STOP

The maximum volume stop can be adjusted to attain a maximum volume from full to 25% of full flow. The pump can be de-stroked from full to 25% flow with 11 turns of the volume stop. One turn clockwise will decrease maximum pump outlet flow 7%.

The minimum volume stop can be adjusted to attain a minimum volume from zero to full flow. The adjustment requires 14 turns to go from zero to full flow. One turn clockwise will increase minimum pump outlet flow 9%.

# B-Frame PVWJ -025/-034/-046 "P-1NN" and "P-LNN"



OILG0270

Figure 9. Exploded Parts Drawing for "P-1NN" and "P-LNN" Control (519975-201 sheet 2)





---

## **AFTER SALES SERVICES**

At Oilgear we build products to last. It is the nature of this type of machinery to require proper maintenance regardless of the care we put into manufacturing. Oilgear has several service programs in place to help you.

### **STAY-ON-STREAM SERVICE**

By signing up for Oilgear's Stay-On-Stream program, you can prepare for problems before they happen. Certain field tests such as fluid testing, slip testing and electronic profile recording comparisons can be performed by our field service people or your own factory trained personnel. These tests can indicate problems before they become "down-time" difficulties.

## **SERVICE SCHOOLS**

Oilgear conducts training to train your maintenance personnel. "General" hydraulic or electronic training is conducted at our Milwaukee, Wisconsin plant on a regular basis. "Custom" training, specifically addressing your particular hydraulic and electro-hydraulic equipment, can be conducted at your facilities.

### **SPARE PARTS AVAILABILITY**

Prepare for your future needs by stocking Oilgear original factory parts. Having the correct parts and necessary skills "in-plant" enables you to minimize "down-time." Oilgear has developed parts kits to cover likely future needs. Oilgear Field Service Technicians are also ready to assist you and your maintenance people in troubleshooting and repairing equipment.





## **APPENDIX VI**

**Material Safety  
Data Sheet  
(MSDS)  
Hydraulic Fluid**





## MATERIAL SAFETY DATA SHEET

### SECTION 1 PRODUCT AND COMPANY IDENTIFICATION

#### PRODUCT

**Product Name:** MOBIL AERO HFA  
**Product Description:** Base Oil and Additives  
**Product Code:** 490110-00, 970584  
**Intended Use:** Aviation hydraulic oil

#### COMPANY IDENTIFICATION

**Supplier:** EXXON MOBIL CORPORATION  
3225 GALLOWS RD.  
FAIRFAX, VA. 22037 USA  
**24 Hour Health Emergency** 800-737-4411  
**Transportation Emergency Phone** 800-424-9300  
**ExxonMobil Transportation No.** 281-834-3296  
**MSDS Requests** 713-613-3661  
**Product Technical Information** 800-662-4525, 800-947-9147  
**MSDS Internet Address** <http://www.exxon.com>, <http://www.mobil.com>

### SECTION 2 COMPOSITION / INFORMATION ON INGREDIENTS

#### Reportable Hazardous Substance(s) or Complex Substance(s)

Name	CAS#	Concentration*
DISTILLATES (PETROLEUM), HYDROTREATED LIGHT	64742-47-8	10 - 30%
HYDROTREATED LIGHT NAPHTHENIC DISTILLATE (PETROLEUM)	64742-53-6	30 - 60%
HYDROTREATED LIGHT PARAFFINIC DISTILLATES, PETROLEUM	64742-55-8	10 - 30%

\* All concentrations are percent by weight unless material is a gas. Gas concentrations are in percent by volume.

### SECTION 3 HAZARDS IDENTIFICATION

This material is considered to be hazardous according to regulatory guidelines (see (M)SDS Section 15).

#### POTENTIAL PHYSICAL / CHEMICAL EFFECTS

Combustible. Material can release vapors that readily form flammable mixtures. Vapor accumulation could flash and/or explode if ignited.

#### POTENTIAL HEALTH EFFECTS

If swallowed, may be aspirated and cause lung damage. Frequent or prolonged contact may defat and dry the skin, leading to discomfort and dermatitis. May be irritating to the eyes, nose, throat, and lungs. High-pressure injection under skin may cause serious damage.

**Target Organs:** Skin |

**NFPA Hazard ID:** Health: 0 Flammability: 2 Reactivity: 0  
**HMIS Hazard ID:** Health: 0\* Flammability: 2 Reactivity: 0

**NOTE:** This material should not be used for any other purpose than the intended use in Section 1 without expert advice. Health studies have shown that chemical exposure may cause potential human health risks which may vary from person to person.

#### SECTION 4 FIRST AID MEASURES

##### INHALATION

Remove from further exposure. For those providing assistance, avoid exposure to yourself or others. Use adequate respiratory protection. If respiratory irritation, dizziness, nausea, or unconsciousness occurs, seek immediate medical assistance. If breathing has stopped, assist ventilation with a mechanical device or use mouth-to-mouth resuscitation.

##### SKIN CONTACT

Wash contact areas with soap and water. If product is injected into or under the skin, or into any part of the body, regardless of the appearance of the wound or its size, the individual should be evaluated immediately by a physician as a surgical emergency. Even though initial symptoms from high pressure injection may be minimal or absent, early surgical treatment within the first few hours may significantly reduce the ultimate extent of injury.

##### EYE CONTACT

Flush thoroughly with water. If irritation occurs, get medical assistance.

##### INGESTION

Seek immediate medical attention. Do not induce vomiting.

##### NOTE TO PHYSICIAN

If ingested, material may be aspirated into the lungs and cause chemical pneumonitis. Treat appropriately.

#### SECTION 5 FIRE FIGHTING MEASURES

##### EXTINGUISHING MEDIA

**Appropriate Extinguishing Media:** Use water fog, foam, dry chemical or carbon dioxide (CO<sub>2</sub>) to extinguish flames.

**Inappropriate Extinguishing Media:** Straight Streams of Water

##### FIRE FIGHTING

**Fire Fighting Instructions:** Evacuate area. Prevent runoff from fire control or dilution from entering streams, sewers, or drinking water supply. Firefighters should use standard protective equipment and in enclosed spaces, self-contained breathing apparatus (SCBA). Use water spray to cool fire exposed surfaces and to protect personnel.

**Unusual Fire Hazards:** Combustible. Pressurized mists may form a flammable mixture.

**Hazardous Combustion Products:** Smoke, Fume, Sulfur oxides, Aldehydes, Incomplete combustion products, Oxides of carbon, Phosphorus oxides

##### FLAMMABILITY PROPERTIES

**Flash Point [Method]:** >82°C (180°F) [ASTM D-93]

**Flammable Limits (Approximate volume % in air):** LEL: 0.7 UEL: 7.0

**Autoignition Temperature:** >225°C (437°F)

## SECTION 6 ACCIDENTAL RELEASE MEASURES

### NOTIFICATION PROCEDURES

In the event of a spill or accidental release, notify relevant authorities in accordance with all applicable regulations. U.S. regulations require reporting releases of this material to the environment which exceed the reportable quantity or oil spills which could reach any waterway including intermittent dry creeks. The National Response Center can be reached at (800)424-8802.

### PROTECTIVE MEASURES

Avoid contact with spilled material. Warn or evacuate occupants in surrounding and downwind areas if required due to toxicity or flammability of the material. See Section 5 for fire fighting information. See Section 3 for Significant Hazards. See Section 4 for First Aid Advice. See Section 8 for Personal Protective Equipment.

### SPILL MANAGEMENT

**Land Spill:** Eliminate all ignition sources (no smoking, flares, sparks or flames in immediate area). Stop leak if you can do it without risk. All equipment used when handling the product must be grounded. Do not touch or walk through spilled material. Prevent entry into waterways, sewer, basements or confined areas. A vapor suppressing foam may be used to reduce vapors. Use clean non-sparking tools to collect absorbed material. Absorb or cover with dry earth, sand or other non-combustible material and transfer to containers. Large Spills: Water spray may reduce vapor; but may not prevent ignition in closed spaces. Recover by pumping or with suitable absorbent.

**Water Spill:** Stop leak if you can do it without risk. Confine the spill immediately with booms. Warn other shipping. Remove from the surface by skimming or with suitable absorbents. Seek the advice of a specialist before using dispersants.

Water spill and land spill recommendations are based on the most likely spill scenario for this material; however, geographic conditions, wind, temperature, (and in the case of a water spill) wave and current direction and speed may greatly influence the appropriate action to be taken. For this reason, local experts should be consulted. Note: Local regulations may prescribe or limit action to be taken.

### ENVIRONMENTAL PRECAUTIONS

Large Spills: Dike far ahead of liquid spill for later recovery and disposal. Prevent entry into waterways, sewers, basements or confined areas.

## SECTION 7 HANDLING AND STORAGE

### HANDLING

Avoid contact with skin. Avoid prolonged breathing of mists and heated vapor. Use proper bonding and/or grounding procedures. Prevent small spills and leakage to avoid slip hazard.

**Static Accumulator:** This material is a static accumulator.

### STORAGE

Keep container closed. Handle containers with care. Open slowly in order to control possible pressure release. Store in a cool, well-ventilated area. Storage containers should be grounded and bonded. Drums must be grounded and bonded and equipped with self-closing valves, pressure vacuum bungs and flame arresters.

**SECTION 8 EXPOSURE CONTROLS / PERSONAL PROTECTION**

**EXPOSURE LIMIT VALUES**

**Exposure limits/standards (Note: Exposure limits are not additive)**

Source	Form	Limit / Standard			Note	Source
HYDROTREATED LIGHT NAPHTHENIC DISTILLATE (PETROLEUM)		TWA	2000 mg/m3	500 ppm	N/A	OSHA Z1
HYDROTREATED LIGHT NAPHTHENIC DISTILLATE (PETROLEUM)	Mist.	STEL	10 mg/m3		N/A	ACGIH
HYDROTREATED LIGHT NAPHTHENIC DISTILLATE (PETROLEUM)	Mist.	TWA	5 mg/m3		N/A	ACGIH
HYDROTREATED LIGHT PARAFFINIC DISTILLATES, PETROLEUM	Mist.	STEL	10 mg/m3		N/A	ACGIH
HYDROTREATED LIGHT PARAFFINIC DISTILLATES, PETROLEUM	Mist.	TWA	5 mg/m3		N/A	ACGIH

**Exposure limits/standards for materials that can be formed when handling this product:** When mists / aerosols can occur, the following are recommended: 5 mg/m<sup>3</sup> - ACGIH TLV, 10 mg/m<sup>3</sup> - ACGIH STEL, 5 mg/m<sup>3</sup> - OSHA PEL.

NOTE: Limits/standards shown for guidance only. Follow applicable regulations.

**ENGINEERING CONTROLS**

The level of protection and types of controls necessary will vary depending upon potential exposure conditions. Control measures to consider:  
 Use explosion-proof ventilation equipment to stay below exposure limits.

**PERSONAL PROTECTION**

Personal protective equipment selections vary based on potential exposure conditions such as applications, handling practices, concentration and ventilation. Information on the selection of protective equipment for use with this material, as provided below, is based upon intended, normal usage.

**Respiratory Protection:** If engineering controls do not maintain airborne contaminant concentrations at a level which is adequate to protect worker health, an approved respirator may be appropriate. Respirator selection, use, and maintenance must be in accordance with regulatory requirements, if applicable. Types of respirators to be considered for this material include:  
 No special requirements under ordinary conditions of use and with adequate ventilation.

For high airborne concentrations, use an approved supplied-air respirator, operated in positive pressure mode. Supplied air respirators with an escape bottle may be appropriate when oxygen levels are inadequate, gas/vapor warning properties are poor, or if air purifying filter capacity/rating may be exceeded.

**Hand Protection:** Any specific glove information provided is based on published literature and glove manufacturer data. Work conditions can greatly effect glove durability; inspect and replace worn or damaged gloves. The types of gloves to be considered for this material include:  
 If prolonged or repeated contact is likely, chemical resistant gloves are recommended. If contact with forearms is likely, wear gauntlet style gloves.

**Eye Protection:** If contact is likely, safety glasses with side shields are recommended.

**Skin and Body Protection:** Any specific clothing information provided is based on published literature or manufacturer data. The types of clothing to be considered for this material include:  
If prolonged or repeated contact is likely, chemical, and oil resistant clothing is recommended.

**Specific Hygiene Measures:** Always observe good personal hygiene measures, such as washing after handling the material and before eating, drinking, and/or smoking. Routinely wash work clothing and protective equipment to remove contaminants. Discard contaminated clothing and footwear that cannot be cleaned. Practice good housekeeping.

#### ENVIRONMENTAL CONTROLS

See Sections 6, 7, 12, 13.

<b>SECTION 9</b>	<b>PHYSICAL AND CHEMICAL PROPERTIES</b>
------------------	---

Typical physical and chemical properties are given below. Consult the Supplier in Section 1 for additional data.

#### GENERAL INFORMATION

**Physical State:** Liquid  
**Color:** Red  
**Odor:** Characteristic  
**Odor Threshold:** N/D

#### IMPORTANT HEALTH, SAFETY, AND ENVIRONMENTAL INFORMATION

**Relative Density (at 15 C):** 0.88  
**Flash Point [Method]:** >82C (180F) [ASTM D-93]  
**Flammable Limits (Approximate volume % in air):** LEL: 0.7 UEL: 7.0  
**Autoignition Temperature:** >225°C (437 F)  
**Boiling Point / Range:** N/D  
**Vapor Density (Air = 1):** N/D  
**Vapor Pressure:** [N/D at 20 °C ]  
**Evaporation Rate (n-butyl acetate = 1):** N/D  
**pH:** N/A  
**Log Pow (n-Octanol/Water Partition Coefficient):** N/D  
**Solubility in Water:** Negligible  
**Viscosity:** 13.8 cSt (13.8 mm<sup>2</sup>/sec) at 40 C | 5.1 cSt (5.1 mm<sup>2</sup>/sec) at 100C  
**Oxidizing Properties:** See Sections 3, 15, 16.

#### OTHER INFORMATION

**Freezing Point:** N/D  
**Melting Point:** N/A  
**Pour Point:** -60°C (-76°F)  
**DMSO Extract (mineral oil only), IP-346:** < 3 %wt

**SECTION 10 STABILITY AND REACTIVITY**

**STABILITY:** Material is stable under normal conditions.

**CONDITIONS TO AVOID:** Open flames and high energy ignition sources.

**MATERIALS TO AVOID:** Strong oxidizers

**HAZARDOUS DECOMPOSITION PRODUCTS:** Material does not decompose at ambient temperatures.

**HAZARDOUS POLYMERIZATION:** Will not occur.

**SECTION 11 TOXICOLOGICAL INFORMATION**

**ACUTE TOXICITY**

<u>Route of Exposure</u>	<u>Conclusion / Remarks</u>
<b>Inhalation</b>	
Toxicity (Rat): LC50 > 5000 mg/m3	Minimally Toxic. Based on assessment of the components.
Irritation: No end point data.	Elevated temperatures or mechanical action may form vapors, mist, or fumes which may be irritating to the eyes, nose, throat, or lungs. Based on assessment of the components.
<b>Ingestion</b>	
Toxicity (Rat): LD50 > 2000 mg/kg	Minimally Toxic. Based on test data for structurally similar materials.
<b>Skin</b>	
Toxicity (Rabbit): LD50 > 2000 mg/kg	Minimally Toxic. Based on test data for structurally similar materials.
Irritation (Rabbit): Data available.	Negligible irritation to skin at ambient temperatures. Based on assessment of the components.
<b>Eye</b>	
Irritation (Rabbit): Data available.	May cause mild, short-lasting discomfort to eyes. Based on assessment of the components.

**CHRONIC/OTHER EFFECTS**

**For the product itself:**

Repeated and/or prolonged exposure may cause irritation to the skin, eyes, or respiratory tract. Small amounts of liquid aspirated into the lungs during ingestion or from vomiting may cause chemical pneumonitis or pulmonary edema.

**Contains:**

Base oil severely refined: Not carcinogenic in animal studies. Representative material passes IP-346, Modified Ames test, and/or other screening tests. Dermal and inhalation studies showed minimal effects; lung non-specific infiltration of immune cells, oil deposition and minimal granuloma formation. Not sensitizing in test animals.

Additional information is available by request.

**The following ingredients are cited on the lists below:** None.

- REGULATORY LISTS SEARCHED--
- |              |             |               |
|--------------|-------------|---------------|
| 1 = NTP CARC | 3 = IARC 1  | 5 = IARC 2B   |
| 2 = NTP SUS  | 4 = IARC 2A | 6 = OSHA CARC |

---

Material -- Expected to be harmful to aquatic organisms. May cause long-term adverse effects in the aquatic environment.

#### **MOBILITY**

Base oil component -- Low solubility and floats and is expected to migrate from water to the land. Expected to partition to sediment and wastewater solids.

#### **PERSISTENCE AND DEGRADABILITY**

##### **Biodegradation:**

Base oil component -- Expected to be inherently biodegradable

#### **BIO ACCUMULATION POTENTIAL**

Base oil component -- Has the potential to bioaccumulate, however metabolism or physical properties may reduce the bioconcentration or limit bioavailability.

### **SECTION 13 DISPOSAL CONSIDERATIONS**

Disposal recommendations based on material as supplied. Disposal must be in accordance with current applicable laws and regulations, and material characteristics at time of disposal.

#### **DISPOSAL RECOMMENDATIONS**

Product is suitable for burning in an enclosed controlled burner for fuel value or disposal by supervised incineration at very high temperatures to prevent formation of undesirable combustion products.

#### **REGULATORY DISPOSAL INFORMATION**

RCRA Information: The unused product, in our opinion, is not specifically listed by the EPA as a hazardous waste (40 CFR, Part 261D), nor is it formulated to contain materials which are listed as hazardous wastes. It does not exhibit the hazardous characteristics of ignitability, corrosivity or reactivity and is not formulated with contaminants as determined by the Toxicity Characteristic Leaching Procedure (TCLP). However, used product may be regulated.

**Empty Container Warning** Empty Container Warning (where applicable): Empty containers may contain residue and can be dangerous. Do not attempt to refill or clean containers without proper instructions. Empty drums should be completely drained and safely stored until appropriately reconditioned or disposed. Empty containers should be taken for recycling, recovery, or disposal through suitably qualified or licensed contractor and in accordance with governmental regulations. **DO NOT PRESSURISE, CUT, WELD, BRAZE, SOLDER, DRILL, GRIND, OR EXPOSE SUCH CONTAINERS TO HEAT, FLAME, SPARKS, STATIC ELECTRICITY, OR OTHER SOURCES OF IGNITION. THEY MAY EXPLODE AND CAUSE INJURY OR DEATH.**

### **SECTION 14 TRANSPORT INFORMATION**

**LAND (DOT):** Not Regulated for Land Transport

**LAND (TDG):** Not Regulated for Land Transport

**SEA (IMDG):** Not Regulated for Sea Transport according to IMDG-Code



**SECTION 14 TRANSPORT INFORMATION**

**LAND (DOT)**

**Proper Shipping Name:** COMBUSTIBLE LIQUID, N.O.S. (Distillates (Petroleum), Hydrotreated Light )  
**Hazard Class & Division:** COMBUSTIBLE LIQUID  
**ID Number:** NA1993  
**Packing Group:** III  
**ERG Number:** 128  
**Label(s):** NONE  
**Transport Document Name:** NA1993, COMBUSTIBLE LIQUID, N.O.S. (Distillates (Petroleum), Hydrotreated Light), COMBUSTIBLE LIQUID, PG III

Footnote: This material is not regulated under 49 CFR in a container of 119 gallon capacity or less when transported solely by land, as long as the material is not a hazardous waste, a marine pollutant, or specifically listed as a hazardous substance.

**LAND (TDG):** Not Regulated for Land Transport

**SEA (IMDG):** Not Regulated for Sea Transport according to IMDG-Code

**AIR (IATA):** Not Regulated for Air Transport

**SECTION 15 REGULATORY INFORMATION**

**OSHA HAZARD COMMUNICATION STANDARD:** When used for its intended purpose, this material is classified as hazardous in accordance with OSHA 29CFR 1910.1200.

**NATIONAL CHEMICAL INVENTORY LISTING:** AICS, IECSC, DSL, EINECS, ENCS, KECI, PICCS, TSCA

**EPCRA:** This material contains no extremely hazardous substances.

**SARA (311/312) REPORTABLE HAZARD CATEGORIES:** Fire. Delayed Health.

**SARA (313) TOXIC RELEASE INVENTORY:** This material contains no chemicals subject to the supplier notification requirements of the SARA 313 Toxic Release Program.

**The Following Ingredients are Cited on the Lists Below:**

Chemical Name	CAS Number	List Citations
DISTILLATES (PETROLEUM), HYDROTREATED LIGHT	64742-47-8	17, 18, 19
HYDROTREATED LIGHT NAPHTHENIC DISTILLATE (PETROLEUM)	64742-53-6	1, 4, 13, 17, 18
HYDROTREATED LIGHT PARAFFINIC DISTILLATES, PETROLEUM	64742-55-8	1, 17, 18

-- REGULATORY LISTS SEARCHED--

- |               |                  |                   |             |
|---------------|------------------|-------------------|-------------|
| 1 = ACGIH ALL | 6 = TSCA 5a2     | 11 = CA P65 REPRO | 16 = MN RTK |
| 2 = ACGIH A1  | 7 = TSCA 5e      | 12 = CA RTK       | 17 = NJ RTK |
| 3 = ACGIH A2  | 8 = TSCA 6       | 13 = IL RTK       | 18 = PA RTK |
| 4 = OSHA Z    | 9 = TSCA 12b     | 14 = LA RTK       | 19 = RI RTK |
| 5 = TSCA 4    | 10 = CA P65 CARC | 15 = MI 293       |             |

Code key: CARC=Carcinogen; REPRO=Reproductive



<b>SECTION 16</b>	<b>OTHER INFORMATION</b>
-------------------	--------------------------

N/D = Not determined, N/A = Not applicable

**THIS SAFETY DATA SHEET CONTAINS THE FOLLOWING REVISIONS:**

Revision Changes:

Section 05: Fire Fighting Measures - Unusual Fire Hazards was modified.  
Section 10: Conditions to Avoid was modified.  
Section 07: Handling and Storage - Handling was modified.  
Section 07: Handling and Storage - Storage Phrases was modified.  
Section 03: HMIS Flammability was modified.  
Section 03: NFPA Flammability was modified.  
Section 06: Accidental Release - Spill Management - Land was modified.  
Section 09: Flash Point C(F) was modified.  
Section 08: Exposure Control was modified.  
Section 15: SARA (311/312) REPORTABLE HAZARD CATEGORIES was modified.  
Section 16: Land Spill was modified.  
Section 14: DOT Technical Name - All was added.  
Section 03: Physical/Chemical Hazard was added.  
Section 14: Proper Shipping Name - Header was added.  
Section 14: Proper Shipping Name was added.  
Section 14: Hazard Class & Division - Header was added.  
Section 14: Hazard Class was added.  
Section 14: UN Number - Header was added.  
Section 14: UN Number was added.  
Section 14: Packing Group - Header was added.  
Section 14: Packing Group was added.  
Section 14: Label(s) - Header was added.  
Section 14: Label(s) was added.  
Section 14: ERG Number - Header was added.  
Section 14: ERG Number was added.  
Section 14: Transport Document Name - Header was added.  
Section 14: Transport Document Name was added.  
Section 14: DOT Technical Name - Open parenthesis was added.  
Section 14: DOT Technical Name - Close parenthesis was added.  
Section 03: Physical/Chemical Hazard was added.  
Section 03: Physical/Chemical Hazards - Header was added.  
Section 14: DOT Footnote was added.  
Section 16: Physical Hazards was added.  
Section 16: Physical Hazards - Header was added.  
Section 16: Precautions was added.  
Section 16: Precautions - Header was added.  
Section 10: Conditions to Avoid was deleted.  
Section 14: LAND (DOT) - Default was deleted.

-----  
**PRECAUTIONARY LABEL TEXT:**

**Contains:** DISTILLATES (PETROLEUM), HYDROTREATED LIGHT CAUTION!

**HEALTH HAZARDS**

Repeated exposure may cause skin dryness or cracking. If swallowed, may be aspirated and cause lung damage.

**Target Organs:** Skin |

**PHYSICAL HAZARDS**

Combustible.

## PRECAUTIONS

Use proper bonding and/or grounding procedures.

### FIRST AID

**Inhalation:** Remove from further exposure. For those providing assistance, avoid exposure to yourself or others. Use adequate respiratory protection. If respiratory irritation, dizziness, nausea, or unconsciousness occurs, seek immediate medical assistance. If breathing has stopped, assist ventilation with a mechanical device or use mouth-to-mouth resuscitation.

**Eye:** Flush thoroughly with water. If irritation occurs, get medical assistance.

**Oral:** Seek immediate medical attention. Do not induce vomiting. If ingested, material may be aspirated into the lungs and cause chemical pneumonitis. Treat appropriately.

**Skin:** Wash contact areas with soap and water. If product is injected into or under the skin, or into any part of the body, regardless of the appearance of the wound or its size, the individual should be evaluated immediately by a physician as a surgical emergency. Even though initial symptoms from high pressure injection may be minimal or absent, early surgical treatment within the first few hours may significantly reduce the ultimate extent of injury.

### FIRE FIGHTING MEDIA

Use water fog, foam, dry chemical or carbon dioxide (CO<sub>2</sub>) to extinguish flames.

### SPILL/LEAK

**Land Spill:** Eliminate all ignition sources (no smoking, flares, sparks or flames in immediate area). Stop leak if you can do it without risk. Prevent entry into waterways, sewer, basements or confined areas. A vapor suppressing foam may be used to reduce vapors. Absorb or cover with dry earth, sand or other non-combustible material and transfer to containers. Recover by pumping or with suitable absorbent.

**Water Spill:** Stop leak if you can do it without risk. Confine the spill immediately with booms. Warn other shipping. Remove from the surface by skimming or with suitable absorbents. Seek the advice of a specialist before using dispersants.

### Use

Not intended or suitable for use in or around a household or dwelling.

---

The information and recommendations contained herein are, to the best of ExxonMobil's knowledge and belief, accurate and reliable as of the date issued. You can contact ExxonMobil to insure that this document is the most current available from ExxonMobil. The information and recommendations are offered for the user's consideration and examination. It is the user's responsibility to satisfy itself that the product is suitable for the intended use. If buyer repackages this product, it is the user's responsibility to insure proper health, safety and other necessary information is included with and/or on the container. Appropriate warnings and safe-handling procedures should be provided to handlers and users. Alteration of this document is strictly prohibited. Except to the extent required by law, re-publication or retransmission of this document, in whole or in part, is not permitted. The term, "ExxonMobil" is used for convenience, and may include any one or more of ExxonMobil Chemical Company, Exxon Mobil Corporation, or any affiliates in which they directly or indirectly hold any interest.

---

Internal Use Only

MHC: 2A, 0, 0, 0, 0, 1

PPEC: C

DGN: 2005454XUS (552975)

---

Copyright 2002 Exxon Mobil Corporation, All rights reserved



**APPENDIX VII**

**ANSI/B93.19M-1972  
(R1993-Excerpt)**





ANSI/B93.19M-  
1972 (R1993)

First edition  
6 December 1972

---

AMERICAN NATIONAL STANDARDS INSTITUTE • A NATIONAL STANDARD FOR FLUID POWER

---

# Hydraulic fluid power — Particulate contamination analysis — Extraction of fluid samples from lines of an operating system

(Technically identical to ISO 4021:1977)

(NFPA/T2.9.1-1972)

(Metric only)

**SPONSOR**



National  
**FLUID POWER**  
Association

Descriptors: hydraulic fluid power, liquids, chemical analysis, sampling, contamination.

# Hydraulic fluid power — Particulate contamination analysis — Extraction of fluid samples from lines of an operating system

## 0 Introduction

In hydraulic fluid power systems, power is transmitted and controlled through a fluid under pressure within an enclosed circuit. The fluid is both a lubricant and a power-transmitting medium.

Reliable system performance requires control of the fluid medium. Qualitative and quantitative determination of particulate contamination in the fluid medium requires precision in obtaining the sample and determining the nature and extent of contamination.

The most representative sample is obtained from a system while the fluid is following in a turbulent manner. This standard gives the procedure for obtaining that sample, known as a dynamic sample.

## 1 Scope

This standard specifies a method of extracting dynamic fluid samples from a line of an operating hydraulic fluid power system.

The hydraulic fluid samples must be representative of the particulate contaminant in the fluid flowing at the point of sampling. (The samples are used for particulate contamination analysis.)

## 2 References

ISO 1219, *Fluid power systems and components — Graphic symbols*.

ISO 5598, *Fluid power — Vocabulary*.

## 3 Definitions

**3.1 fluid sampling, dynamic:** The extraction of a sample of fluid from a turbulent section of a flow stream.

**3.2 fluid sampling, static:** The extraction of a sample of fluid from a fluid at rest.

**3.3 sampler, turbulent:** A device for creating turbulence in the main stream while extracting a fluid sample.

**3.4** For definitions of other terms used, see ISO 5598.

## 4 Graphic symbols

Graphic symbols used are in accordance with ISO 1219.

## 5 Rules

**5.1** Use a dynamic fluid sampling method (see clause 7).

**5.2** Control the rate of sample extraction only by means of a capillary restriction.

**5.3** Attach the sampling device permanently, or by a quick disconnect coupling.

## 6 Sampling device

Note — Take normal precautions to safeguard personnel and equipment.

**6.1** Use a typical sampling device as shown in the figure if turbulent flow conditions exist in the main stream.

6.1.1 Permanently attach the ball valve or the valved portion of the quick disconnect coupling to the port through which the sample is to be taken.

6.1.2 Provide a dust cap for the item in 6.1.1.

6.1.3 Use the remaining equipment only for sampling.

6.1.4 Select capillary tubing having an inside diameter and length consistent with the sampling rate desired.

6.1.4.1 Do not use capillary tubing having an inside diameter smaller than 1,25 mm. Other cross-sections (such as rectangular) may be used provided that the smallest inside dimension is not less than 1 mm.

6.1.4.2 Sharpen and deburr the ends of the capillary tube to facilitate subsequent piercing of the film covering the sampling bottle mouth.

6.2 If turbulence in the flow stream cannot be ensured, use a means of creating turbulence such as a turbulent flow sampler.

## 7 Sampling procedure

7.1 Where a sampling device incorporating a quick disconnect coupling is used, attach the separable portions of the sampling device to the permanently attached portion.

7.2 Open the ball valve.

7.3 Pass a minimum of 200 cm<sup>3</sup> of fluid through the sampling device before collecting the fluid.

7.4 Without disturbing the ball valve, place the sampling bottle in position to collect the fluid.

7.4.1 Use the sharp end of the capillary tubing to pierce the plastic film covering the bottle mouth.

7.4.2 Take a sample of not more than 75 % and not less than 50 % of the sampling bottle volume.

7.5 When a sufficient sample has been collected, remove the sampling bottle before turning off the flow with the ball valve.

7.6 Recap the sample bottle immediately after withdrawing the capillary tubing.

7.7 Where a sampling device incorporating a quick disconnect coupling is used, disconnect the separable portions of the sampling device and remove any residual fluid films by flushing with a suitable solvent.

7.8 Immediately upon disconnection, replace the dust cap on the permanently mounted section of the quick disconnect coupling.

## 8 Identification statement

Use the following statement in test reports, catalogs and sales literature when electing to comply with this standard:

"Method of extracting fluid samples conforms to ANSI/B93.19M-1972, *Hydraulic fluid power — Particulate contamination analysis — Extraction of fluid samples from lines of an operating system.*"

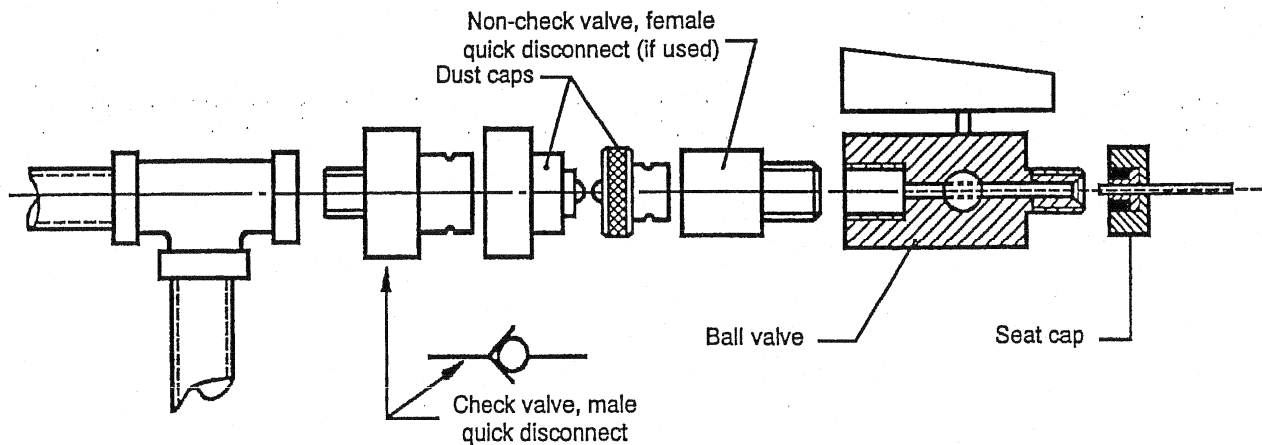


Figure 1 — Typical field type sampling device







## **APPENDIX VIII**

### **Instrument Certification Notice**





## Instrument Certification Notice

The gauge Certificates of Calibration supplied for the gauge(s) on this unit contain the calibration data for the actual instrument calibrated, along with the calibration date of the **STANDARD** used to perform the calibration check.

The due date for re-calibration of the instrument should be based upon the date the instrument was placed in service in your facility. Re-calibration should be done on a periodic basis as dictated by the end user's quality system or other overriding requirements.

Note that Tronair, Inc. does not supply certificates of calibration on flow meters or pyrometers unless requested at the time of placed order. These instruments are considered reference indicators only and are not critical to the test(s) being performed on the aircraft.