

**57X1 Series  
5711, 5721, 5731  
Hydraulic Power Units**



08/2021 – Rev. 07

REVISION	DATE	TEXT AFFECTED
01	11/2016	Original Release
02	03/2017	Modified 9.13.12 Return Sight Gauge (Option U) and 9.13.13 Return Sight Gauge (Option Y)
03	12/2017	Modified 9.2 Electric Motor
04	04/2019	Modified 9.13.14 & 9.13.15
05	11/2019	Modified 9.12
06	03/2020	Modified 9.10.1
07	08/2021	Added section 5.12 Infrequent HPU Use and updated 9.0 Maintenance

**TABLE OF CONTENTS**

**PAGE**

<b>1.0</b>	<b>PRODUCT INFORMATION</b>	<b>1</b>
1.1	DESCRIPTION	1
1.2	MODEL & SERIAL NUMBER	1
1.3	MANUFACTURER	1
1.4	FUNCTION	1
1.5	REQUIREMENTS	1
<b>2.0</b>	<b>SAFETY INFORMATION</b>	<b>2</b>
2.1	USAGE AND SAFETY INFORMATION	2
2.2	EXPLANATION OF WARNING & DANGER SIGNS	2
2.3	COMPONENT SAFETY FEATURES	2
2.4	FUNCTIONAL SAFETY FEATURES	2
2.5	PERSONAL PROTECTION EQUIPMENT	2
2.6	SAFETY GUIDELINES	2
2.7	GENERAL COMMENT	2
<b>3.0</b>	<b>PREPARATION PRIOR TO FIRST USE</b>	<b>3</b>
3.1	GENERAL	3
3.2	SERVICING RESERVOIR	3
3.3	CONNECTING ELECTRICAL LEADS	3
<b>4.0</b>	<b>TRAINING</b>	<b>3</b>
4.1	TRAINING REQUIREMENTS	3
4.2	TRAINING PROGRAM	3
4.3	OPERATOR TRAINING	3
<b>5.0</b>	<b>OPERATION</b>	<b>4</b>
5.1	OPERATING PARAMETERS	4
5.2	NUMERICAL VALUES	4
5.2.1	Hydraulic Power Unit	4
5.2.2	Physical	4
5.2.3	Hydraulic Pump	5
5.2.4	Electric Motor	5
5.2.5	Filters	5
5.2.6	Hand Pump ( <i>Option M</i> )	5
5.3	LOCATION & LAYOUT OF CONTROLS	6
5.3.1	Front Panel Controls	6
5.3.2	Electrical Control Panel	7
5.3.3	Hydraulic Control Panel	8
5.3.4	Rear Panel Controls	9
5.3.5	Hydraulic Pump Controls	10
5.3.6	Hand Pump Controls ( <i>Option M</i> )	11
5.3.7	Split System Controls ( <i>Option C</i> )	12
5.4	START UP PROCEDURES	13
5.4.1	Procedure for First Time or Different Electrical Supply ONLY	13
5.4.2	Initial Start Up of the HPU	13
5.5	PRELIMINARY ADJUSTMENTS FOR OPERATION	13
5.5.1	Flow Control Adjustment	13
5.5.2	Pressure Control Adjustment	14
5.5.3	Reservoir Selector Valve Operation	14
5.5.4	Bypass Valve Operation	14
5.6	BLEEDING AIR FROM SYSTEM	14
5.6.1	To Easily Purge the Unit of Air	15
5.7	SPLIT SYSTEM OPERATION ( <i>Option C</i> )	15
5.7.1	To Operate the Split System	15
5.8	HAND PUMP OPERATION ( <i>Option M</i> )	15
5.8.1	To Operate the Hand Pump	15
5.9	SAMPLE VALVE	15
5.10	EMERGENCY SHUT DOWN PROCEDURE	16
5.11	DESCRIPTION OF ALARM SYSTEMS	16
5.11.1	High Fluid Temperature Indicator ( <i>Option S</i> )	16
5.11.2	Voltage/Phase Monitor Indicator ( <i>Options H – J</i> )	16
5.11.3	High and Low Reservoir Level Indicator ( <i>Option L</i> )	16
5.11.4	Clogged Filter Indicator Light ( <i>Option R</i> )	16
5.12	INFREQUENT HPU USE	16
5.12.1	Infrequent HPU Use Start Up Procedure	16
<b>6.0</b>	<b>PACKAGING AND STORAGE</b>	<b>17</b>
6.1	PACKAGING REQUIREMENTS	17

6.2	HANDLING .....	17
6.3	PACKAGING PROTECTION .....	17
6.4	LABELING OF PACKAGING .....	17
6.5	STORAGE COMPATIBILITY .....	17
6.6	STORAGE ENVIRONMENT .....	17
6.7	STORAGE SPACE AND HANDLING FACILITIES .....	17
<b>7.0</b>	<b>TRANSPORTATION .....</b>	<b>17</b>
<b>8.0</b>	<b>TROUBLE SHOOTING .....</b>	<b>18</b>
8.1	HPU WILL NOT START .....	18
8.2	NO FLOW .....	18
8.3	REDUCED FLOW .....	19
8.4	NO PRESSURE or REDUCED PRESSURE .....	19
8.5	FLUID OVERHEATS .....	19
8.6	HAND PUMP ( <i>Option M</i> ) IS NOT PUMPING FLUID .....	19
<b>9.0</b>	<b>MAINTENANCE .....</b>	<b>20</b>
9.1	GENERAL .....	20
9.2	ELECTRIC MOTOR .....	20
9.3	MOTOR DRIVEN HYDRAULIC PUMP .....	21
9.3.1	Motor Driven Hydraulic Pump Replacement Parts .....	21
9.3.2	Hydraulic Pump Replacement Kits List .....	22
9.4	HYDRAULIC FLUID .....	22
9.5	FILTERS .....	22
9.5.1	Pressure Filter Element .....	23
9.5.2	Return Filter Element .....	24
9.5.3	Hand Pump ( <i>Option M</i> ) Filter Element .....	25
9.5.4	Desiccant Air Filter .....	26
9.5.5	Pressure Filter Assembly (with optional Electric Filter Clogging Indicator) .....	27
9.5.6	Return Filter Assembly .....	29
9.6	HYDRAULIC HOSES .....	31
9.7	INSTRUMENT PANEL .....	33
9.7.1	Electric Panel .....	34
9.7.2	Hydraulic Panel .....	35
9.7.3	Pressure Manifold Assembly .....	37
9.7.3.a	System Pressure Relief Valve .....	39
9.7.3.b	Check Valve .....	40
9.7.3.c	Bypass Valve .....	41
9.8	RESERVOIR ASSEMBLY .....	43
9.9	RETURN MANIFOLD ASSEMBLY .....	47
9.9.1	Return System Pressure Relief Valve .....	49
9.10	ELECTRICAL COMPONENTS .....	51
9.10.1	Electrical Components With 100 ft Input Cord option .....	53
9.11	HEAT EXCHANGER ASSEMBLY .....	56
9.12	EXTERNAL COMPONENTS .....	57
9.13	ADDITIONAL FEATURES .....	59
9.13.1	50 ft (15.2 m) Hoses ( <i>Option B</i> ) .....	59
9.13.2	Split System ( <i>Option C</i> ) .....	61
9.13.3	Voltage/Phase Monitor ( <i>Options H – J</i> ) .....	63
9.13.4	Pyrometer ( <i>Option K</i> ) .....	64
9.13.5	Electric Reservoir Level ( <i>Option L</i> ) .....	65
9.13.6	Hand Pump ( <i>Option M</i> ) .....	67
9.13.6.a	Two Stage Pump with Relief .....	69
9.13.7	Hand Pump High Displacement ( <i>Option 7</i> ) .....	73
9.13.8	Towing Trailer ( <i>Option N</i> ) .....	76
9.13.9	Electric Filter Clogging Indicator ( <i>Option R</i> ) .....	77
9.13.10	Electric Over-Temperature ( <i>Option S</i> ) .....	78
9.13.11	Stack Light ( <i>Option SL</i> ) .....	79
9.13.12	Return Sight Gauge ( <i>Option U</i> ) .....	80
9.13.13	Split System Return Sight Gauge ( <i>Option Y</i> ) .....	81
9.13.14	Return Backpressure ( <i>Option V</i> ) .....	83
9.13.15	Drip Pan ( <i>Option 4</i> ) .....	85
9.14	REPLACEMENT LABELS PARTS LISTS .....	86
9.14.1	Base Unit .....	86
9.14.2	Fluid Labels .....	86
9.14.3	Filter Element Kit Labels .....	87
9.14.4	Split System ( <i>Option C</i> ) .....	87
9.14.5	Hand Pump ( <i>Option M</i> ) Labels .....	87
<b>10.0</b>	<b>PROVISION OF SPARES .....</b>	<b>88</b>
10.1	SOURCE OF SPARE PARTS .....	88

10.2	RECOMMENDED SPARE PARTS LISTS.....	88
10.2.1	Spare Electrical Parts .....	88
10.2.2	Spare Parts.....	88
<b>11.0</b>	<b>CALIBRATION OF INSTRUMENTATION .....</b>	<b>89</b>
11.1	SOURCE OF CALIBRATION .....	89
11.2	ANALOG PRESSURE GAUGE – System Pressure.....	89
11.2.1	Self Calibration .....	89
11.3	ANALOG PRESSURE GAUGE (Hand Pump Pressure- <i>Option M Only</i> ).....	90
11.3.1	Self Calibration .....	90
11.4	ANALOG TEMPERATURE GAUGE (Pyrometer- <i>Option K Only</i> ).....	90
11.4.1	Self Calibration .....	90
<b>12.0</b>	<b>IN SERVICE SUPPORT.....</b>	<b>91</b>
<b>13.0</b>	<b>GUARANTEES/LIMITATION OF LIABILITY .....</b>	<b>91</b>
<b>14.0</b>	<b>APPENDICES .....</b>	<b>91</b>

This product can not be modified without the written approval of Tronair, Inc. Any modifications done without written approval voids all warranties and releases Tronair, Inc., its suppliers, distributors, employees, or financial institutions from any liability from consequences that may occur. Only Tronair OEM replacement parts shall be used.

**1.0 PRODUCT INFORMATION**

**1.1 DESCRIPTION**

Hydraulic Power Unit

**Model Number      Fluid Type**

5711 .....	MIL-PRF-5606
5721 .....	MIL-PRF-83282
5731 .....	Aviation Phosphate Ester, Type IV and V

**1.2 MODEL & SERIAL NUMBER**

Reference nameplate on unit.

**1.3 MANUFACTURER**

**TRONAIR**, Inc.  
1 Air Cargo Pkwy East  
Swanton, Ohio 43558 USA

Telephone: (419) 866-6301 or 800-426-6301  
Fax: (419) 867-0634  
E-mail: sales@tronair.com  
Website: www.tronair.com

**1.4 FUNCTION**

The Hydraulic Power Unit (HPU) provides a source of clean, pressurized hydraulic fluid for performing required aircraft maintenance. An electric motor drives a pressure compensated piston pump. Filters are provided on the pressure and return systems. A bypass (dump) valve allows starting and stopping of the unit under a no-load, safe condition. The unit may use either the aircraft or on-board HPU reservoir. Cooling is provided for continuous operation.

**1.5 REQUIREMENTS**

Adequate electrical power must be provided for proper functioning of the HPU. See the unit nameplate for proper voltage and frequency. See the Technical Manual for proper sizing of electrical supply and protection equipment in the facility.

## 2.0 SAFETY INFORMATION

### 2.1 USAGE AND SAFETY INFORMATION

The HPU provides pressurized hydraulic fluid for performing aircraft maintenance.

To insure safe operations please read the following statements and understand their meaning. Also refer to your equipment manufacturer's manual for other important safety information. This manual contains safety precautions which are explained below. Please read carefully.



**WARNING!** — Warning is used to indicate the presence of a hazard that **can cause severe personal injury, death, or substantial property damage** if the warning notice is ignored.

**CAUTION!** — Caution is used to indicate the presence of a hazard that **will or can cause minor personal injury or property damage** if the caution notice is ignored.

### 2.2 EXPLANATION OF WARNING & DANGER SIGNS



**Accidental Starts!** Before servicing the HPU or equipment, always disconnect electrical power supply to prevent accidental starting.



**Rotating Parts!** Keep hands, feet, hair, and clothing away from all moving parts to prevent injury. Never operate the HPU with covers, shrouds, or guards removed.



**Electrical Shock!** Never touch electrical wires or components while the HPU is attached to the power source. They can be sources of electrical shock. **DO NOT** operate HPU with cabinet panels removed.



**Pressurized Fluid!** Before servicing the HPU or equipment, always open the bypass valve to relieve any residual pressure in the hydraulic system.

### 2.3 COMPONENT SAFETY FEATURES

- Pump/Motor coupling guard
- Sheet metal panels
- Pressure and return system relief valves
- Control circuit fuses
- Motor overload protection

### 2.4 FUNCTIONAL SAFETY FEATURES

- Emergency shut off switch
- Floor lock
- Calibration port shut off valve
- Fluid sample shut off valve

### 2.5 PERSONAL PROTECTION EQUIPMENT

- Safety glasses must be worn when operating the HPU.
- Additional equipment recommended by the fluid manufacturer (gloves, etc.). **Reference Appendix pertaining to Material Safety Data Sheet pertaining to fluid(s).**

### 2.6 SAFETY GUIDELINES

- Operator must be properly trained prior to operating the HPU.
- HPU power switch must be in "Off" position when connecting or disconnecting hoses to the aircraft.
- Bypass valve must be in the "Open" position when starting or stopping the HPU.
- Electrical power must be disconnected from the HPU and the bypass valve must be in the "Open" position before servicing the HPU. (Reference Technical Manual for details on servicing the HPU.)

### 2.7 GENERAL COMMENT

The HPU is intended to be operated by personnel trained in the proper use in conjunction with the aircraft maintenance manual.

The HPU must be used in accordance with the Technical and Operator Manuals and the intended aircraft.

### 3.0 PREPARATION PRIOR TO FIRST USE

#### 3.1 GENERAL

Prior to operating the HPU, the user should become familiar with this Operator Manual.

#### 3.2 SERVICING RESERVOIR

Fill the reservoir with the correct fluid (see label next to reservoir fill for correct type of fluid) until fluid level is above the minimum fluid level mark but below the maximum fluid level. See **5.3.1 Front Panel Controls** for reservoir fill location.

**NOTE: Leave the Reservoir Selector Valve in the Aircraft Reservoir position (as shipped) until the Hydraulic Power Unit reservoir has been filled.**

#### 3.3 CONNECTING ELECTRICAL LEADS



**Electrical Shock!** Never touch electrical wires or components while electrical power is attached. Only qualified electricians should connect the electrical leads.

Install plug onto the electrical cord. If motor rotation is not correct, change any two of the three leads at the plug. **Reference 11.0 Electrical Power and Protection Requirements** for power requirements and fuse sizes. (See **5.4 Start up Procedures** before starting HPU.)



#### **WARNING!**

**Balanced three phase voltage must be available to prevent overheating and damage to the motor.**

**Voltage unbalanced between phases occurs when the voltages differ from one another.**

**Some reasons for imbalance are:**

1. **Unequal loading of each phase**
2. **Poor connections in the supply**
3. **Single phase condition caused by blown fuses or bad connections**

**If these conditions occur in the incoming power system, a protective device, such as a voltage monitor, should be installed on the machine to prevent motor damage.**

### 4.0 TRAINING

#### 4.1 TRAINING REQUIREMENTS

The employer of the operator is responsible for providing a training program sufficient for the safe operation of the HPU.

#### 4.2 TRAINING PROGRAM

The employer provided operator training program should cover safety procedures concerning use of the HPU in and around the intended aircraft at the intended aircraft servicing location.

#### 4.3 OPERATOR TRAINING

The operator training should provide the required training for safe operation of the HPU.

**NOTE: Maintenance and Trouble Shooting are to be performed by a skilled and trained technician.**



**5.0 OPERATION**

**5.1 OPERATING PARAMETERS**

- The user shall use the HPU in accordance with the aircraft manufacturer's instructions.
- The user shall operate the HPU in accordance with the Operation & Service Manual.
- The employer of the operator shall provide all necessary training.
- The electrical power supply for the HPU must include a fused disconnect using Type J or Type R fuses or equivalent magnetic type circuit breakers designed for protecting an electrical motor. This necessary equipment is for protection of the HPU, power cord, and customer-supplied plug and receptacle. Reference the Table below:

**ELECTRICAL POWER AND PROTECTION REQUIREMENTS**

60 Hz Applications			
Voltage	380	460	575
Full Load Amps	103.8	92	73.6
Locked Rotor Amps	543	543	413
Recommended Fuse Size	150	125	90
Maximum Fuse Size	150	125	100

50 Hz Applications			
Voltage	380	415	440
Full Load Amps	107	105	92
Locked Rotor Amps	625	582	539
Recommended Fuse Size	150	125	125
Maximum Fuse Size	150	150	125

**5.2 NUMERICAL VALUES**

**5.2.1 Hydraulic Power Unit**

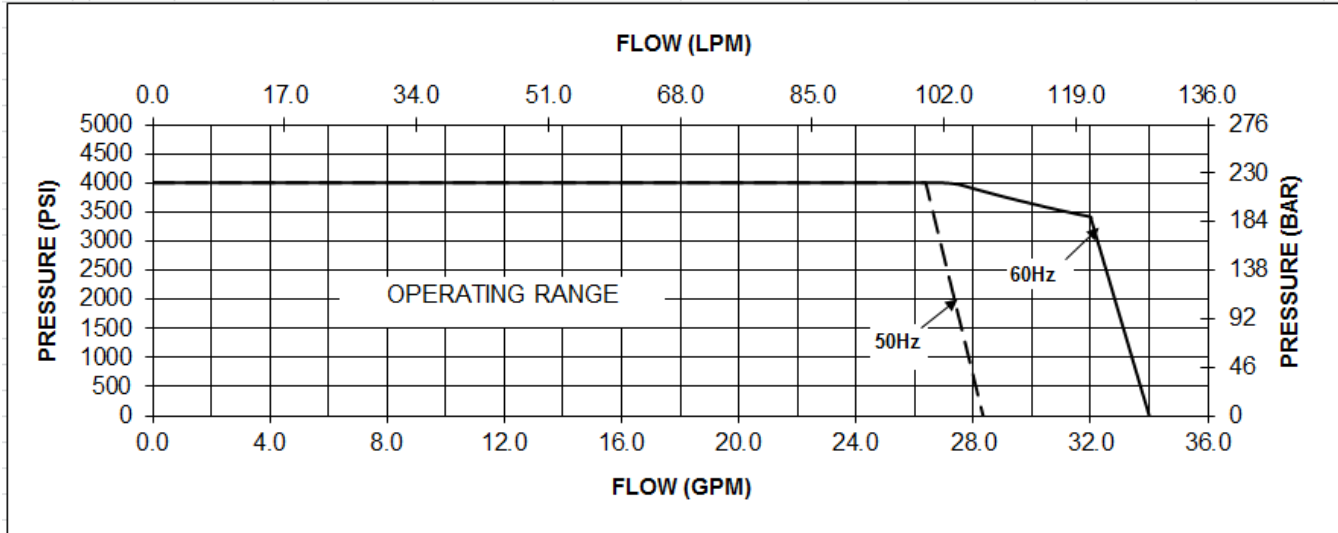
Model Number	Fluid Type
5711 .....	MIL-PRF-5606
5721 .....	MIL-PRF-83282
5731 .....	Aviation Phosphate Ester, Type IV and V

**5.2.2 Physical**

- Weight (Dry): 3,500 lbs (1,588 kg)
- Dimensions:
  - Width 63.75 in (162 cm) Add 7.5 in (19 cm) for Split System
  - Height 59 in (149.9 cm)
  - Depth 78 in (198 cm)
- Power Cord: 50 ft (15.24 m) long
- Pressure Hoses:
  - 25 ft (7.62 m)..... Standard Length
  - 50 ft (15.24 m)..... Optional Length
  - 16 (1 in, 25.4 mm)..... Working Diameter
- Return Hoses:
  - 25 ft (7.62 m)..... Standard Length
  - 50 ft (15.24 m)..... Optional Length
  - 24 (1½ in, 38.1 mm)..... Working Diameter
- Hand Pump Hose:
  - 15 ft (4.57 m)..... Standard Length
  - 6 (3/8 in, 9.53 mm)..... Working Diameter

### 5.2.3 Hydraulic Pump

- A pressure compensated, adjustable maximum volume piston pump.
- Maximum flow at 60 Hz..... 34 gpm (129 lpm)
- Maximum flow at 50 Hz..... 28 gpm (107 lpm)
- Maximum operating pressure at 50 Hz and 60 Hz ..... 4,000 psi (276 bar)
- System pressure relief valve setting..... 4,250 psi (293 bar)
- Performance Curve for 50 Hz and 60 Hz



### 5.2.4 Electric Motor

A 75 horsepower, TEFC electric motor is the prime mover for the HPU. This is attached to the hydraulic pump using a pump/motor adapter and a spider/coupling rotating interface.

#### MOTOR POWER REQUIREMENTS

60 Hz Applications		50 Hz Applications	
Voltage	Full Load Amps	Voltage	Full Load Amps
380	105.8	380	107
460	92	415	105
575	73.6	440	92

### 5.2.5 Filters

- Pressure..... 2 micron rating, non-bypass high collapse microglass type. Non-cleanable element.
- Return ..... 5 micron rating, 25 psi (1.72 bar) bypass microglass type. Non-cleanable element.
- Hand Pump (*Option M*) ..... 2 micron rating, non-bypass microglass type. Non-cleanable element.
- Air/Desiccant ..... 3 micron filter, silica gel desiccant type. Non-cleanable element.

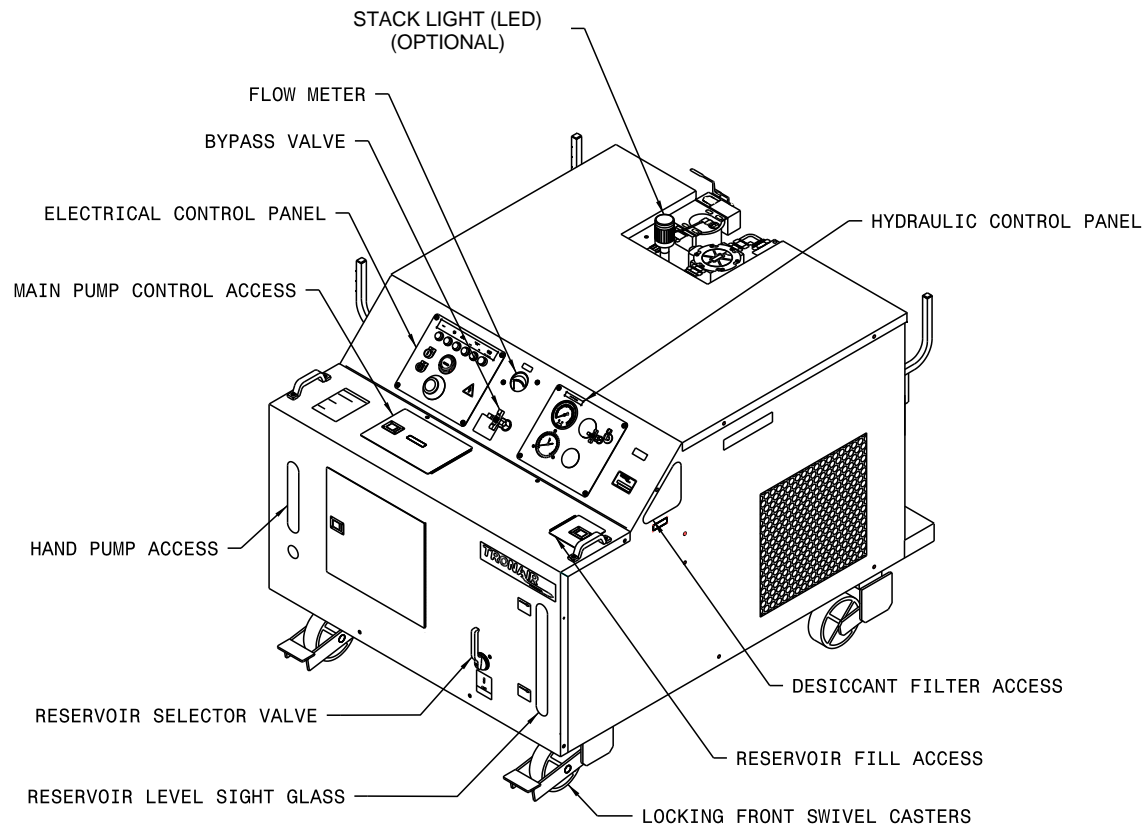
### 5.2.6 Hand Pump (*Option M*)

Two stage hand pump, low pressure stage 0–500 psi (0–34.47 bars) and 500–5,000 psi (34.47–344.74 bars) high pressure stage. Pump automatically changes stage internally based on system pressure.

Low Pressure Stage:	Piston Diameter..... 1½ in (38.1 mm)
	Working Pressure..... 0–500 psi (0–34.47 bar)
	Displacement/Stroke ..... 2.1 in <sup>3</sup> (34.4 cm <sup>3</sup> )
	Force/100 psi (6.89 bar) ..... 12.0 lbs/100 psi (7.74 N/bar)
High Pressure Stage:	Piston Diameter..... 5/8 in (15.88 mm)
	Working Pressure..... 500–5000 psi (34.47–344.74 bar)
	Displacement/Stroke ..... 0.4 in <sup>3</sup> (6.55 cm <sup>3</sup> )
	Force/100 psi (6.89 bar) ..... 2.2 lbs/100 psi (1.42 N/bar)
Pressure Relief Setting:	5,250 psi (362.0 bar)

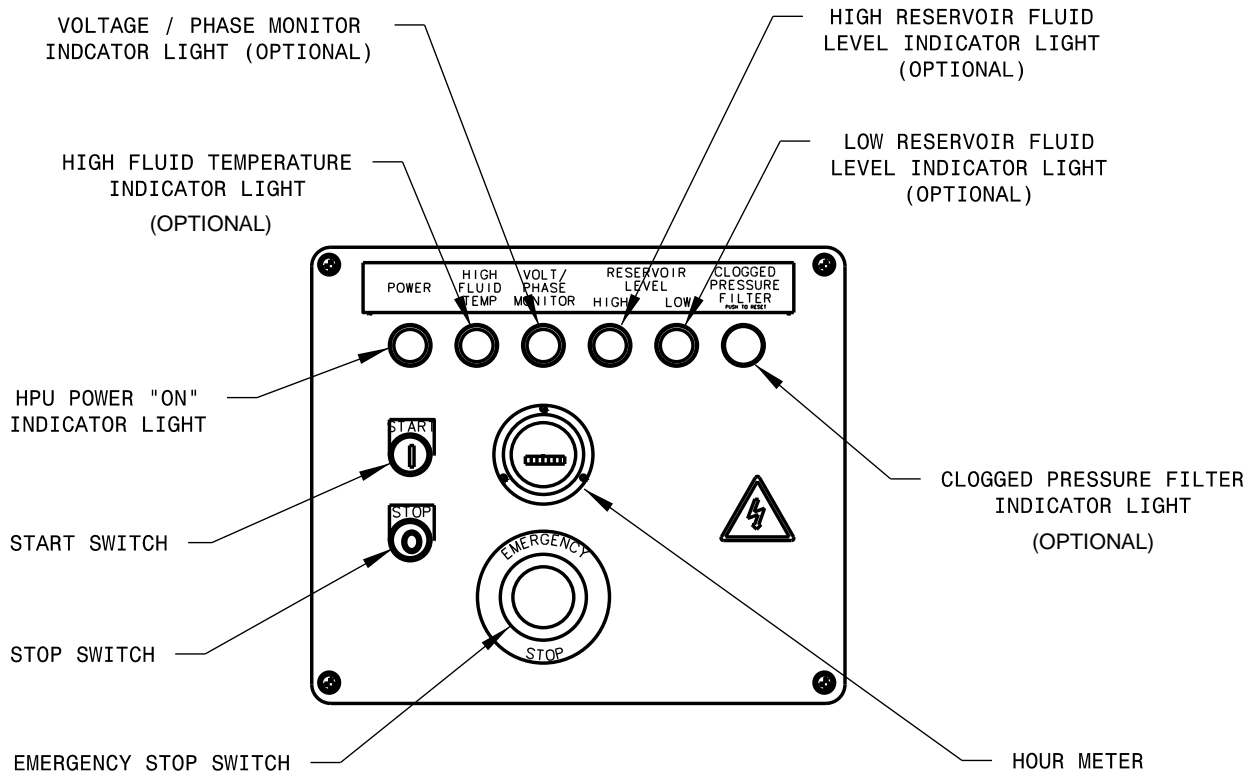
## 5.3 LOCATION & LAYOUT OF CONTROLS

### 5.3.1 Front Panel Controls



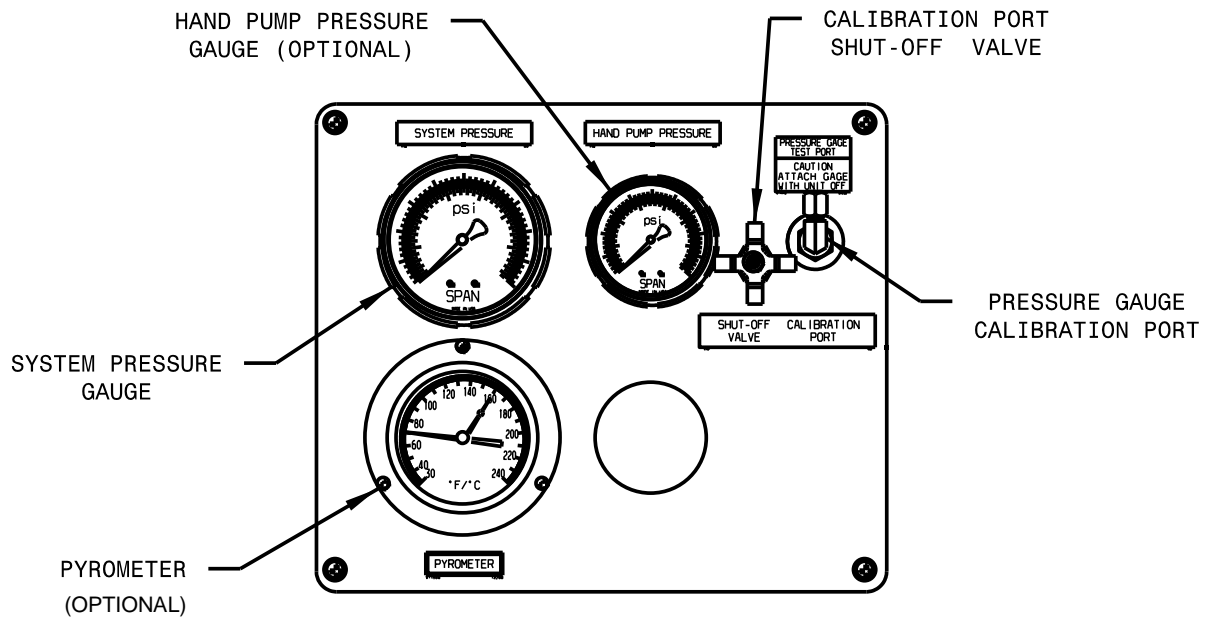
Electrical Control Panel	See Section 5.3.2
Hydraulic Control Panel	See Section 5.3.3
Bypass Valve	For loading and unloading the motor driven hydraulic pump
Flowmeter	Displays the flow from the motor driven hydraulic pump
Pump Control Access	See 5.3.5 - Hydraulic Pump Controls
Reservoir Selector	For selecting between using the aircraft reservoir or the HPU reservoir
Sight Gauge	Visual indicator displays the fluid level in the reservoir
Reservoir Fill Access	Locking cap for servicing the HPU reservoir
Desiccant Filter	Access to the reservoir air filter/desiccant filter
Hand Pump ( <i>Option M</i> )	Access for hand pump and relief screw, handle stored inside
Locking Swivel Caster	Locking/unlocking, foot actuated and released locking front caster
Stack Light ( <i>Option SL</i> )	Displays green LED light when unit is running

### 5.3.2 Electrical Control Panel



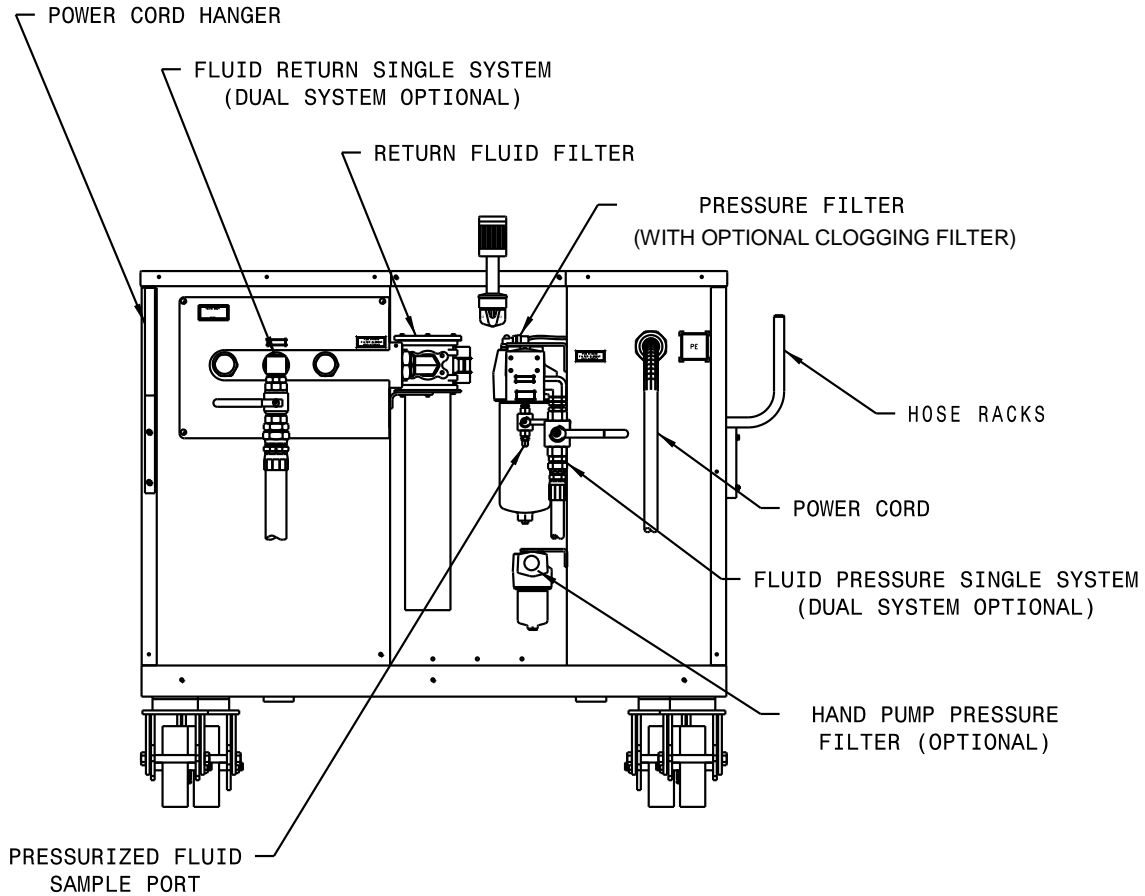
Emergency Stop	Removes power to all electrical devices, must turn to reset
Stop Switch	Turns off the electric motors driving the hydraulic pump and cooling fan
Start Switch	Turns on the electric motors driving the hydraulic pump and cooling fan
HPU Power "On" Indicator Light	Light is illuminated when the electric motors driving the hydraulic pump and cooling fan are on
High Fluid Temperature Indicator Light ( <i>Option S</i> )	Light is illuminated when the return fluid temperature reaches 160° F (71° C) or above. The HPU will shut down when light is illuminated. The HPU can be re-started when the fluid has cooled and the indicator light is off
High Reservoir Fluid Level Indicator Light ( <i>Option L</i> )	Light is illuminated when the fluid level in the reservoir is above the normal operating range. The HPU will shut down until the fluid level is restored to a normal operating level
Low Reservoir Fluid Level Indicator Light ( <i>Option L</i> )	Light is illuminated when the fluid level in the reservoir is below the normal operating range. The HPU will shut down until the fluid level is restored to a normal operating level
Voltage/Phase Monitor Indicator Light ( <i>Options H – J</i> )	Light is illuminated if any of the following conditions occur <ul style="list-style-type: none"> <li>- Voltage imbalance between L1, L2, L3, greater than 5%</li> <li>- Loss of voltage from L1, L2, L3</li> <li>- Over voltage from L1, L2, L3, greater than 5%</li> <li>- Change in phase orientation between L1, L2, L3. The HPU will shut down until the electrical problem is corrected</li> </ul>
Clogged Pressure Filter Indicator Light ( <i>Option R</i> )	Light is illuminated when the pressure filter element requires changing. The HPU will not shut down when illuminated. Pressing the illuminated button will reset the light

### 5.3.3 Hydraulic Control Panel



System Pressure Gauge	Displays the system pressure on an analog fluid dampened gauge
Pyrometer ( <i>Option K</i> )	Displays the fluid temperature in the return system on an analog gauge. A warning indicator preset to 160° F (71° C) warns of high operating temperature
Pressure Gauge Calibration Port	Allows for calibration of the system pressure gauge up to the operating pressure of HPU. Calibration port shut off valve must be used in conjunction with the calibration port
Calibration Port Shut Off Valve	Used to shut off pressure to the calibration port. This valve should only be opened when the external standard gage is attached. (See Operation & Service Manual for proper procedure)
Hand Pump Pressure Gauge ( <i>Option M</i> )	Displays the hand pump system pressure on an analog fluid dampened gauge

5.3.4 Rear Panel Controls

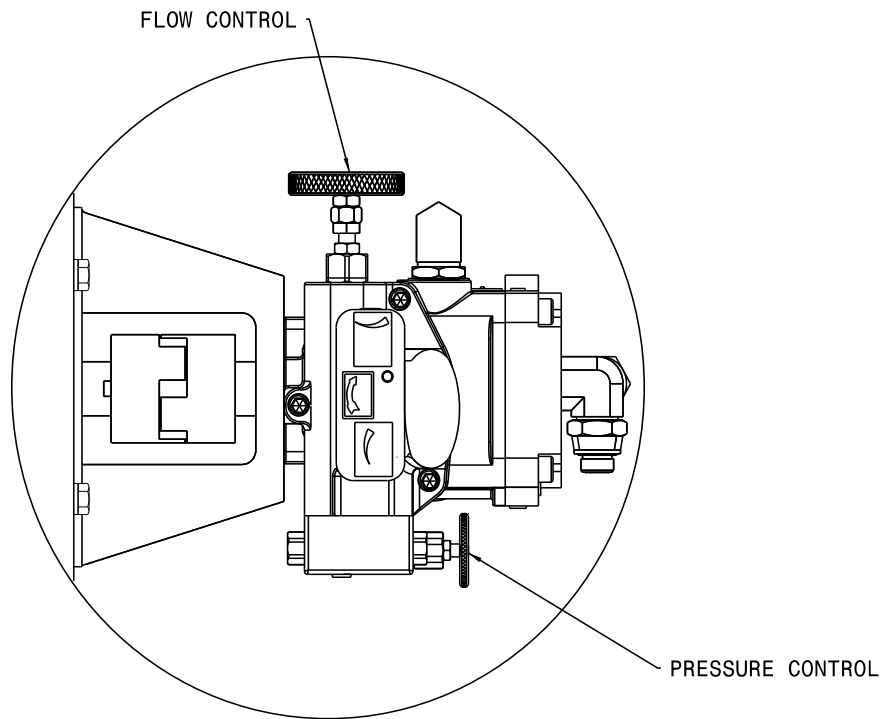


* Fluid Pressure System	The source of pressurized fluid from the HPU that flows to the aircraft pressure system through the pressure hose
* Fluid Return System	Fluid returning to the HPU from the aircraft that flows through the return hoses
Pressure Fluid Filter	Filters the pressurized fluid before it flows to the aircraft pressure system
Return Fluid Filter	Filters the fluid returning from the aircraft before it enters the HPU
Pressurized Fluid Sample Port	A sample valve is provided to obtain a fluid sample for analysis. In order to obtain a representative sample, it is suggested that ANSI/B93.19M-1972(R1993) be followed
Hand Pump Pressure Filter (Option M)	Filters the pressurized fluid before it flows to the aircraft system
Hose Racks	Location for storing the pressure, return and optional hand pump hoses when not in use
Power Cord Hanger	Location for storing the power cord when not in use

\* **Split System (Optional) consists of two (2) each of these items.**

5.3.5 Hydraulic Pump Controls

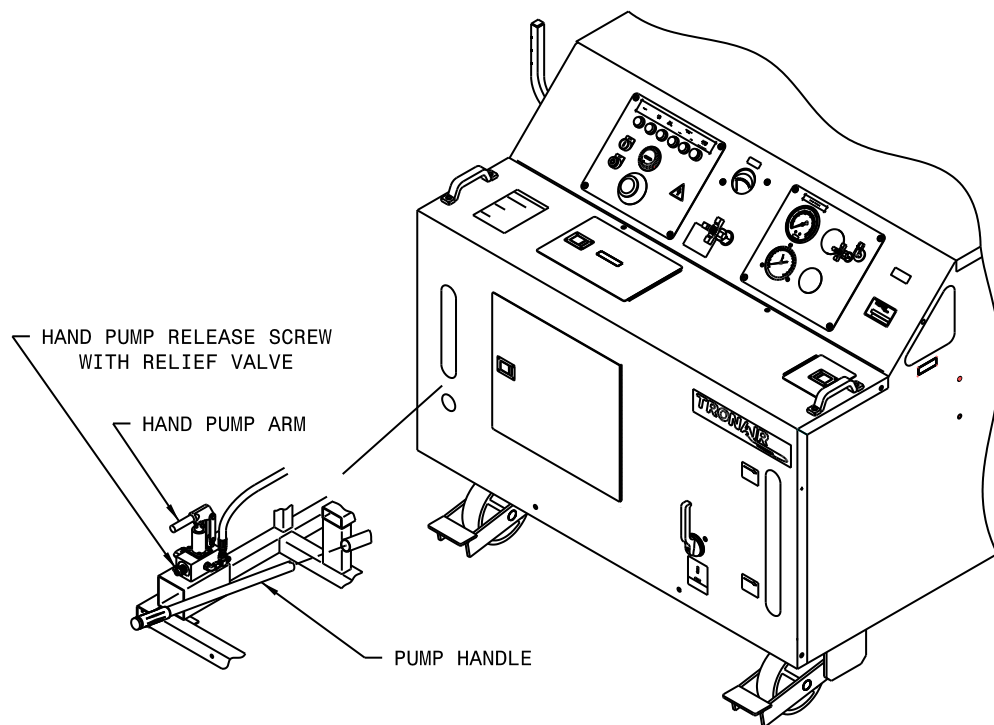
The hydraulic pump flow control and pressure control are located through the pump control access door.



Flow Control	This control is used to set the maximum flow required from the HPU
Pressure Control	The pressure control is used to set the system pressure of the HPU during operation

### 5.3.6 Hand Pump Controls (Option M)

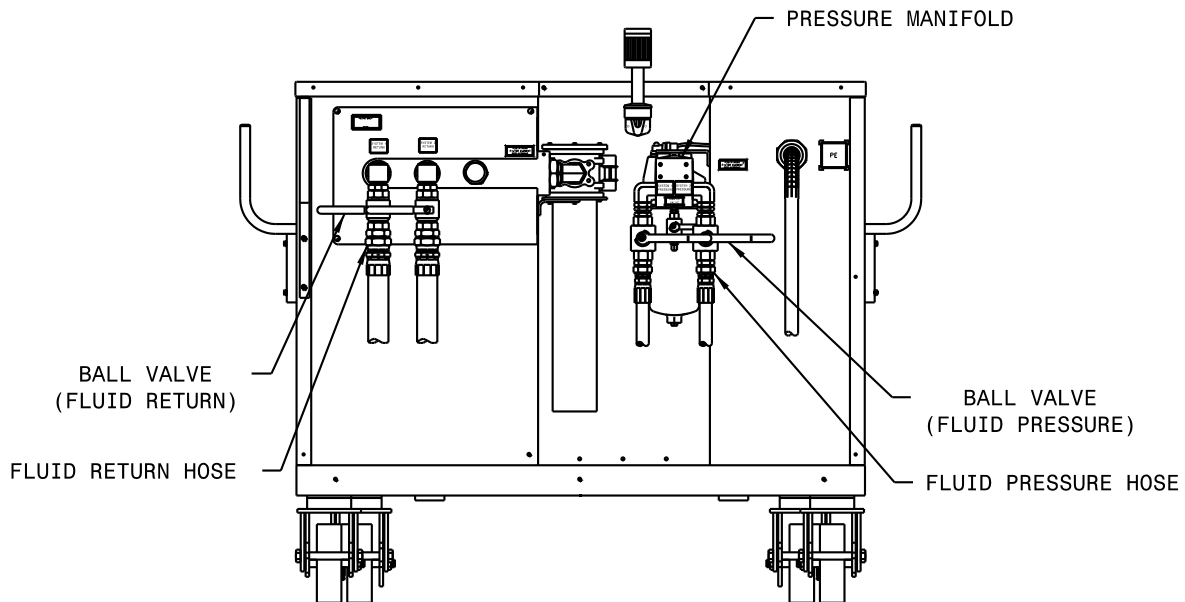
Reference 5.8 Hand Pump Operation.



Pump Handle	Located inside the front access door is the hand pump handle used for opening and closing the hand pump relief screw and stroking the hand pump arm
Hand Pump Relief Screw	Accessed through the front panel opening, this screw allows opening and closing of the hand pump hydraulic circuit using the hand pump handle
Hand Pump Arm	The handle is used to access the hand pump arm used for up and down motion to produce hydraulic flow and pressure



5.3.7 Split System Controls (Option C)  
Reference 5.7 Split System Operation.



Pressure Manifold	Houses the pressure valves
Fluid Pressure Ball Valve	Used to turn on and off the flow to separate aircraft systems. Always use in either fully open or fully closed position; never use in a partially open position
Fluid Pressure Hose	Connects HPU to aircraft pressure systems
Fluid Return Hose	Connects HPU to aircraft return systems
Fluid Return Ball Valve	Used to turn on and off the flow from separate aircraft systems. Always use in either fully open or fully closed position; never use in a partially open position

**WARNING!**



**NEVER open or close split system valves without shutting off the Hydraulic Power Unit. Damage to the aircraft system or reservoir may result if either return line valve is closed while the machine is running.**

## 5.4 START UP PROCEDURES

### 5.4.1 Procedure for First Time or Different Electrical Supply ONLY

*Phase Monitor (Options H– J Only):* Check that the phase monitor light on the instrument panel is not illuminated. If the light is illuminated, change any two of the three input leads at the plug. Once the phase monitor light is not illuminated with power attached, check for proper motor rotation.

To check rotation (with or without Phase Monitor):

- Close the fluid pressure ball valve(s) at the rear of the HPU.  
Reference 5.3.4 Rear Panel Controls for location of ball valve.
- Open the bypass valve on the instrument panel fully counter-clockwise.
- Set the flow control on the pump to maximum flow (fully counter-clockwise).
- Place the reservoir selector valve in HPU Reservoir position.
- Remove the pump/motor coupling guard. Reference Pump/Motor Coupling Access figure.



**Rotating Parts!** Keep hands, feet, hair, and clothing away from all moving parts to prevent injury. Never operate the HPU with covers, shrouds, or guards removed.



**Electrical Shock!** Never touch electrical wires or components while the HPU is attached to the power source. They can be sources of electrical shock.

**Do not operate HPU with cabinet panels removed.**

- Verify that the unit has been prepared for use by connecting electrical leads and servicing the reservoir. (Reference section 3.0 Preparation Prior to First Use.)
- Keeping hands clear of the pump/motor coupling area, momentarily press the start button and immediately press the stop button.
- Observe direction of rotation of the pump/motor coupling. When the Operator is facing the front panel, the pump/motor coupling should be rotating in a clockwise direction.
- If the pump/motor coupling is rotating in a counter-clockwise direction, change any two of the three leads at the plug. Observe direction of rotation to verify that pump/motor is rotating in a clockwise direction.
- Replace the pump/motor coupling guard.

### 5.4.2 Initial Start Up of the HPU

- Unit must be prepared per section 3.0 Preparation Prior to First Use and section 5.4.1 First Time or Different Electrical Supply ONLY before starting the HPU.
- Operator must be familiar with this manual and be properly trained prior to starting the HPU.
- Connect quick disconnects to hose ends or cap the pressure and return hose ends.
- Place the reservoir selector valve in "HPU Reservoir" position.
- Place the bypass valve in the "Open" position.
- Press the start switch and adjust the flow control until approximately 10 gpm (38 lpm) is displayed on the flowmeter. (If no flow displays on the flowmeter after adjusting the flow control, reference *Trouble Shooting 8.2 No Flow*).
- Close the bypass valve, adjust the pressure control until 3,000 psi (206.84 bar) is displayed on the pressure gauge. (If no pressure displays on the system pressure gauge after adjusting the pressure control, reference *Trouble Shooting 8.4 No Pressure or Reduced Pressure*).
- Open the bypass valve; press the stop switch.

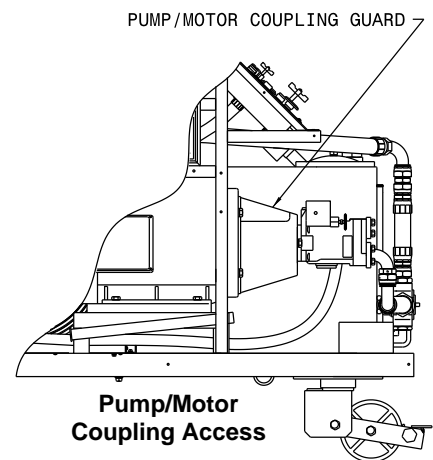
**NOTE: Maintenance and Trouble Shooting are to be performed by a skilled and trained technician.**

## 5.5 PRELIMINARY ADJUSTMENTS FOR OPERATION

The following are basic to the operation of the HPU and should be thoroughly understood. The pressure and flow controls have lock nuts to prevent rotation of the control shaft during operation. These nuts should be moved away from the pump during adjustment of flow or pressure in order to eliminate binding of the control shafts.

### 5.5.1 Flow Control Adjustment

- Open bypass valve.
- Select "Hydraulic Power Unit" position with reservoir selector valve.
- Start HPU.
- Adjust flow control on pump for maximum desired flow. Observing the flowmeter, read flow in gallons (liters) per minute directly from flowmeter. Be sure the control shaft lock nut is loose during adjustment. Tighten after adjustment to maintain setting.



### 5.5.2 Pressure Control Adjustment

- a. Open bypass valve.
- b. Select "Hydraulic Power Unit" position with reservoir selector valve.
- c. Start HPU.
- d. Close bypass valve.
- e. Adjust pressure control for desired pressure; observing the system pressure gauge, read in psi (bars). Be sure the control shaft lock nut is loose during adjustment. Tighten after adjustment to maintain setting.

**NOTE: Once the flow and pressure controls have been adjusted, it is not necessary to change these settings after each operation unless desired.**

### 5.5.3 Reservoir Selector Valve Operation

Operation of the reservoir selector valve allows the operator to select either the aircraft reservoir (closed loop) or the HPU reservoir (open loop).



#### CAUTION!

**The reservoir selector valve should only be operated when the HPU is not running. The operation of the reservoir selector valve should be done prior to starting the HPU.**

#### a. Aircraft Reservoir Position (Closed Loop)

In this position, the HPU is dependent on the aircraft reservoir and system for an adequate supply of fluid. Cavitation, due to an inadequate fluid supply from the aircraft, may be indicated by erratic fluctuation of the system pressure gauge or flowmeter. At times, the aircraft fluid supply will be restricted due to small return oil lines in the aircraft. If this is a problem, decrease the flow control setting until the cavitation is eliminated.

#### b. HPU Reservoir Position (Open Loop)

In this position, the HPU reservoir supplies fluid to the pump and accepts return fluid from the aircraft. It is desirable to operate the HPU in this mode since it eliminates any possibility of cavitation.

Since the HPU reservoir is vented to atmosphere and the aircraft is at a higher level, it is normal for the aircraft reservoir to drain into the HPU reservoir. It is, therefore, necessary to be sure that sufficient room is available in the HPU reservoir to accommodate the additional fluid.



#### CAUTION!

**The aircraft system reservoir must be serviced after completion of operational testing.**

In the "HPU Reservoir" position, faster landing gear swings are usually possible since there is no restriction to flow at the pump inlet.

### 5.5.4 Bypass Valve Operation

The bypass valve is used for unloading the pump. The valve should be either in the fully open or fully closed position only. Do not operate the valve in a partially open position.

#### a. Start Up Operation

The bypass valve must be opened prior to starting the HPU in order to allow the motor to start under a no load condition and not pressurize the aircraft hydraulic system.

#### b. Shut Down Operation

Prior to shutdown, the bypass valve must be opened to bleed off any residual system pressure.



#### CAUTION!

**Excessive heat, which could damage machine components, will be generated if the bypass valve is partially open or is used for regulating flow or pressure.**

- Use the flow and pressure controls for regulation.
- Use the bypass valve for unloading the system only.

### 5.6 BLEEDING AIR FROM SYSTEM

Rapid fluctuations of the pressure gage and flow-meter are indications of cavitation or entrapped air in the hydraulic lines and/or components. Air may enter the system when:

- Operating the unit with insufficient oil in the reservoir.
- Changing a component on the aircraft.
- Changing hose connections and/or couplings.

## 5.6.1 To Easily Purge the Unit of Air

- a. Fill reservoir to recommended level.
- b. Open bypass valve.
- c. Place reservoir selector valve in "Hydraulic Power Unit" position.
- d. Start unit and adjust flow control to maximum position.

**NOTE: If fluid is not flowing, shut off HPU and reference 8.2 No Flow in Trouble Shooting section**

- e. Run unit for five (5) minutes and shut off.
- f. If additional bleeding is required, connect the pressure and return hoses together and open all pressure and return ball valves at the rear of the HPU. Start the HPU and slowly close the bypass valve (system pressure should remain under 200 psi (approximately 14 bars). Allow fluid to flow at full flow for five (5) minutes, then shut the HPU off.



### WARNING!

**Failure to open the return ball valves will cause hose or valve rupture. Property damage and personal injury can result.**

## 5.7 SPLIT SYSTEM OPERATION (Option C)

The split system option allows control of fluid flow to aircraft with two hydraulic systems. The systems consist of two sets of hoses and valves located in the pressure and return systems. The valves are mounted on the rear of the hydraulic power unit and are of the 90° ball type. The valves are open when the operating handle is in line with the valve.

Although both systems may be operated simultaneously, usually only one system is required at any one time. If both valve sets are open simultaneously, the pump output will be divided between the two systems. Also, cross flow between aircraft reservoirs may occur if a reservoir level or pressure differential exists. Select valve positions prior to starting machine.

### 5.7.1 To Operate the Split System

- a. Before starting machine, open pressure and return valves of the same system.



### WARNING!

**Ensure pressure and return hoses of the same system are paired and used together.**

- b. After completing tests on one system, shut the machine off before selecting the second system.



### WARNING!

**NEVER open or close split system valves without shutting off the Hydraulic Power Unit. Damage to the aircraft system or reservoir may result if either return line valve is closed while the machine is running.**

## 5.8 HAND PUMP OPERATION (Option M)

The Hand Pump Option allows for filling the reservoir (low pressure) or static testing of components or system (high pressure). The hand pump circuit is separate from the main hydraulic system; a separate filter and hose are attached to the back panel of the HPU.

### 5.8.1 To Operate the Hand Pump

- a. Remove the pump handle from inside the front access door. (Reference **5.3.6 – Hand Pump Controls**)
- b. Insert the end of the pump handle through the front panel opening into the hand pump relief screw.
- c. Turn the pump handle clockwise to close the relief screw.
- d. Insert the pump handle onto the hand pump arm through the front panel slot.
- e. Pump the handle using an up and down motion. Observe the hand pump system pressure on the hydraulic control panel (**5.3.3 Hydraulic Control Panel**). The pump is an automatic two stage pump. 500 psi (34.47 bar) can be produced with high fluid flow and 5,000 psi (344.74 bar) can be produced with low fluid flow.
- f. Turning the relief screw in a counter-clockwise direction releases hydraulic pressure in the hand pump system.



**Pressurized Fluid!** Before disconnecting the hand pump pressure hose, ALWAYS open the relief screw valve to relieve any residual pressure in the hydraulic system.

## 5.9 SAMPLE VALVE

A sample valve is provided on the rear of the unit to obtain a fluid sample for analysis or inspection.

In order to obtain a representative fluid sample, it is suggested that ANSI/B93.19M-1972 (R1993) be followed. *Reference Appendix.*



**Pressurized Fluid!** Before servicing the HPU or equipment, ALWAYS open the bypass valve to relieve any residual pressure in the hydraulic system.

## 5.10 EMERGENCY SHUT DOWN PROCEDURE

In the event an emergency shut down is necessary, press the emergency stop switch located on the electrical panel. (Reference **5.3.2 – Electrical Control Panel**) Open the bypass valve to remove any system pressure.

## 5.11 DESCRIPTION OF ALARM SYSTEMS

Reference **5.3.2 – Electrical Control Panel**.

### 5.11.1 High Fluid Temperature Indicator (*Option S*)

The indicator light for high fluid temperature is an active light which will illuminate when the return fluid temperature is 160° F (71° C) or above. The HPU will shut down if the light is illuminated. The HPU can be re-started when the fluid has cooled sufficiently and the light has shut off.

If the high temperature light is illuminated reference section **8.0 Trouble Shooting**.

### 5.11.2 Voltage/Phase Monitor Indicator (*Options H – J*)

The indicator light for the voltage/phase monitor is an active light which will illuminate if there is a problem with the incoming electrical power source. The HPU will shut down if the light is illuminated.

If the voltage/phase monitor light is illuminated, reference section **8.0 Trouble Shooting**.

### 5.11.3 High and Low Reservoir Level Indicator (*Option L*)

The indicator lights for high and low reservoir level are active lights which will illuminate when the reservoir fluid level is either above the maximum level or below the minimum level. The HPU will shut down if either of the lights are illuminated.

If the light on either of the reservoir level indicator lights, restore the fluid level in the reservoir to a normal operating range.

### 5.11.4 Clogged Filter Indicator Light (*Option R*)

The indicator light for the clogged filter is a passive light which will illuminate if the pressure filter element becomes clogged or is in need of replacement. The HPU will not shut down if the light is illuminated.

If the clogged filter indicator light is illuminated, the pressure filter element requires changing. Reference section 9.13.11 *Electric Filter Clogging Indicator (Option R)* for maintenance procedure. Pressing the clogging filter indicator light will reset the light and the light will turn off.

**NOTE: Maintenance and Trouble Shooting are to be performed by a skilled and trained technician.**

## 5.12 INFREQUENT HPU USE

If the unit is not used frequently Tronair recommends operating the unit monthly. Operating regularly assures that the seals are kept lubricated, eliminates air pockets in the system, reduces moisture in the fluid and helps extend the hose life.

### 5.12.1 Infrequent HPU Use Start Up Procedure

1. Assure that the HPU reservoir is filled between the minimum and maximum level
2. Connect the unit to a proper electrical power source
3. If unit is equipped with a run around kit, connect the pressure and return hoses together
4. Place the reservoir selector valve in "HPU Reservoir" position
5. Open the return ball valves on the back of the unit
6. Pressure ball valves
  - a. If unit **IS** equipped with a runaround kit **ensure the hoses are connected to each other**, open the pressure ball valves on the back of the unit
  - b. If the hoses **are not connected to each other**, close the pressure ball valves on the back of the unit
7. Verify the return ball valves on the back of the unit are open
8. Fully open the bypass valve
9. Adjust the pressure control to the minimum setting (CCW)
10. Start the unit and verify the flow is above "0" on the flowmeter
  - a. If flow is present: adjust the flow control to increase flow (CW)
  - b. If no flow is immediately present: turn unit off, verify the motor rotation (see 5.4.1 Procedure for First Time or Different Electrical Supply ONLY), correct rotation if necessary
11. Set flow to ½ the maximum flow capacity of the unit. You may need to increase the pressure adjustment to achieve flow.
12. Bypass valve
  - a. If unit **IS** equipped with a runaround kit **ensure the hoses are connected to each other**, fully close the bypass valve
  - b. If the hoses **are not connected to each other**, leave the bypass valve fully open
13. Operate the unit for 15-30 minutes in this condition. Fluid temperature should reach 100°-130° F (37.8°-54.4° C)
14. At the completion of the 15-30 minute circulation run, open the bypass valve and shut off the unit
15. Remove the electric power
16. Place the selector valve in the Aircraft Reservoir position
17. Close the pressure and return ball valves on the back of the unit

## 6.0 PACKAGING AND STORAGE

### 6.1 PACKAGING REQUIREMENTS

- Drain hydraulic fluid until level is below the minimum fluid level indicator.
- Block up the unit on a pallet so the wheels are not touching the pallet or shipping container.
- Plug all hose ends.
- Strap unit to pallet or shipping container using the tie down rings located on the frame bottom.

**NOTE: Use at least four (4) straps with a minimum 4,000 lb (1,814 kg) capacity each.**

### 6.2 HANDLING

The unit is designed to be moved by hand using the handles located on the front of the unit. The unit can be lifted by means of a fork truck from the center of the machine. Lifting must be from the motor side of the unit only.

**NOTE: Be sure the forks are long enough to reach the frame cross members for stability during lifting. Spread the forks to their maximum width for stability. Reference 7.0 HPU on Forklift.**

### 6.3 PACKAGING PROTECTION

No special packaging material for cushioning or suspension is required.

### 6.4 LABELING OF PACKAGING

Packaging should be labeled as follows:

**DO NOT DROP  
THIS SIDE UP  
DO NOT STACK** ↑

### 6.5 STORAGE COMPATIBILITY

No special considerations for short term storage (less than three months).

### 6.6 STORAGE ENVIRONMENT

Cover HPU with a suitable, non-abrasive tarp if storing outside. For storage periods greater than three months, drain hydraulic fluid from all hoses and the reservoir. Cover unit to protect outside surface.

If storing outside, protect unit from freezing water, sand, dirt, and direct sunlight. A cover is highly recommended.

### 6.7 STORAGE SPACE AND HANDLING FACILITIES

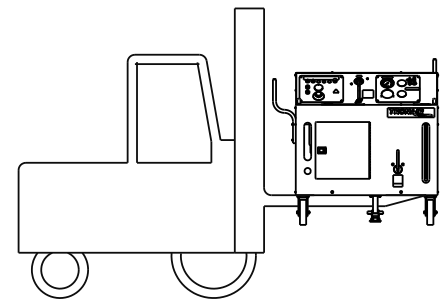
- Weight (Dry): 3,500 lbs (1,588 kg)
- Dimensions: Width 63 ¾ in (162 cm) Add 7.5 in (19 cm) for Split System  
Height 59 in (149.9 cm)  
Depth 78 in (198 cm)

## 7.0 TRANSPORTATION

- Do not stack Hydraulic Power Units.
- The unit can be lifted by means of a fork truck from the motor side center of the HPU.

**NOTE: Be sure the forks are long enough to reach frame cross members for stability during lifting. Spread the forks to their maximum width for stability. Reference Figure HPU on Forklift.**

- Weight: 3,500 lbs (1,588 kg)



**HPU on Forklift**

## 8.0 TROUBLE SHOOTING

The following is a guide to solutions of common problems associated with the HPU. See related Appendix for Hydraulic and Electrical Schematics.

If the problem is not resolved using the trouble shooting information, call the manufacturer for Technical Assistance (See Section **1.3 Manufacturer**).

**NOTE: Maintenance and Trouble Shooting are to be performed by a skilled and trained Technician.**

### 8.1 HPU WILL NOT START

Possible Cause	Solution
Supply power off	Check incoming power and restore power. Check across-the-line voltage on all three phase legs
Supply power fuses are blown/ circuit breakers tripped	Check and replace. Check across-the-line voltage on all three phase legs
Control Transformer fuses blown	Check and replace
Supply power phase or voltage incorrect (Phase/Voltage Monitor Option H – J only)	Voltage/Phase Monitor Indicator light will be illuminated Refer to Section 3.3 Connecting Electrical Leads
Reservoir fluid level is too high or too low (Electric Reservoir Level Option L only)	One reservoir level indicator light (Low or High) will be illuminated. Fill the reservoir above the Minimum Fluid Level arrow to extinguish the Low Level light. Drain fluid below the Maximum Fluid Level arrow to extinguish the High Level light
High return fluid temperature (Electric Over-Temperature Option S only)	High Fluid Temperature indicator light will be illuminated. Allow the hydraulic fluid to cool until the light goes out. Refer to Section 8.5 for over-heated causes
Motor has tripped thermal overload device	Allow the motor to cool. The thermal overload device (motor starter) will reset automatically after sufficient cooling. The tripped condition is usually caused by loading the motor beyond its rated capacity; however, any condition (such as unbalanced voltage) that causes an increase in amperage can result in a tripped condition

**NOTE: Using the bypass valve to meter flow or pressure will increase the motor load and may cause the thermal overload device to trip. Refer to section 5.5.4 Bypass Valve Operation for proper use of the bypass valve.**

### 8.2 NO FLOW

Possible Cause	Solution
Motor turning in wrong direction	See Section 3.3 Connecting Electrical Leads
Flow control set too low	Increase flow setting
Fluid level in reservoir too low	Service the HPU reservoir
Air in pump inlet lines	Disconnect the HPU from the aircraft. Fill the HPU reservoir to a level above the pump inlet port. Set the reservoir selector valve to the HPU Reservoir position. <b>Fully open the Bypass Valve.</b> Close the Pressure and Return ball valves at the rear of the unit. Adjust the pump flow to maximum and "bump" the start and stop switches to "jog" the motor. Flow should be indicated at the Flowmeter on first or second "jog"

**NOTE: Under some conditions where a large amount of air has entered the system, the pump may not be able to draw an initial prime. If this occurs, loosen the inlet hose near the pump and allow air to escape. Re-tighten the hose when fluid appears.**

Possible Cause	Solution
Motor is turning but pump is not	Check pump and motor couplings to ensure they are tight
Flow path does not exist	A flow path (such as a moving actuator or an open circuit) must exist for flow to be present. When system pressure exceeds the compensator control setting, or when the system no longer requires flow, the control de-strokes the pump while maintaining the preset pressure

### 8.3 REDUCED FLOW

Possible Cause	Solution
Flow control set too low	Increase flow setting.
Pressure adjustment is set too low	Slightly increase pressure setting.
Pressure compensator control is reducing pump output	When system pressure exceeds the compensator control setting, or when the system no longer requires flow, the control de-strokes the pump while maintaining the preset pressure.
Pump inlet is not receiving enough fluid (cavitation)	Follow the procedure for "Air in pump inlet lines" in Section 8.2.
Motor is "Single Phasing"	Motor is not getting power on all three phase legs. Check across-the-line voltage on all three phase legs.
Supply voltage is 50 Hz	Pumps used on 50 Hz units will flow at only 83% of the pump nameplate rating. An HPU designed to run on 50 Hz will supply flow as stated in the specifications for that unit.

### 8.4 NO PRESSURE or REDUCED PRESSURE

Possible Cause	Solution
Pressure adjustment is set too low	Increase pressure adjustment.
Motor is "Single Phasing"	Motor is not getting power on all three phase legs. Check across-the-line voltage on all three phase legs.
Pump inlet is not receiving enough fluid (cavitation)	Follow the procedure for "Air in pump inlet lines" in Section 8.2.
Flow path is open	Pressure is resistance to flow. The HPU will reach full pressure as flow paths (such as moving actuators and open valves) are closed.

### 8.5 FLUID OVERHEATS

Possible Cause	Solution
Fan is not functioning properly	Check the cooler fan output. Forced air should be easily detected at the right hand side of the HPU. Check the fuses for the fan motor (See Appendices – Electrical Schematic INS-2016).
Bypass valve or rear ball valve is being used in a partially closed position	The bypass valve and all ball valves must be used in a fully open or fully closed position. These valves are not intended for metering flow. All flow adjustments must be made using the pump flow control.

### 8.6 HAND PUMP (Option M) IS NOT PUMPING FLUID

Possible Cause	Solution
Release screw is open	Use the slotted end of the pump handle to close the release screw located at the base of the pump.
Ball valve is closed	Open the ball valve for the pump inlet line located at the bottom of the reservoir.
Pump piston is filled with air	If the pump is not primed after several strokes, remove the bleed screw from the top of the pump piston (See Section 9.13.9.a – Pump Diagram). Slowly stroke the pump until fluid is present at the bleed screw. Replace the bleed screw.



## 9.0 MAINTENANCE

If the unit is not used frequently Tronair recommends operating the unit monthly. Operating regularly assures that the seals are kept lubricated, eliminates air pockets in the system, reduces moisture in the fluid and helps extend the hose life. If the unit is not used frequently see 5.12 Infrequent Use Procedure.

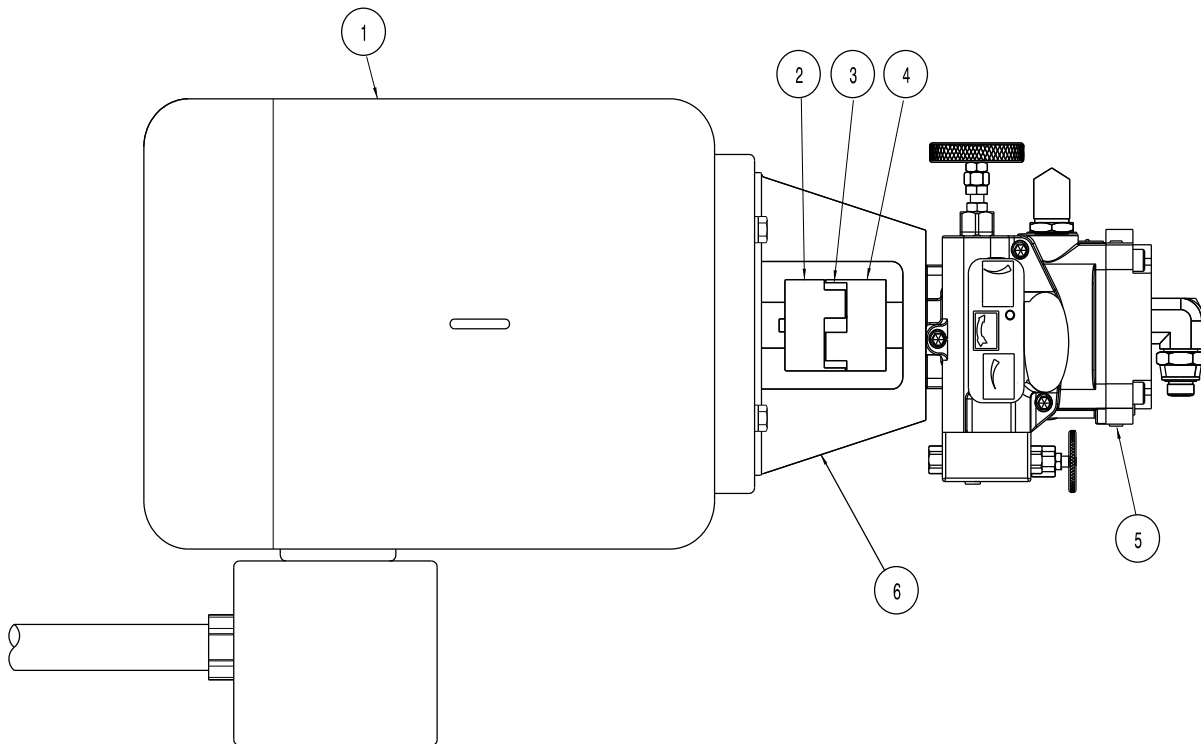
### 9.1 GENERAL

Periodically inspect the HPU for loose fasteners, hose fittings, damaged hoses, and worn electrical cables. Make repairs as needed for safe operation.

Reference Sections 9.2 – 9.14 for Parts Lists, Descriptions and Illustrations.

### 9.2 ELECTRIC MOTOR

The Electric Motor is pre-greased by the manufacturer. Periodic greasing is necessary on a frequently used HPU. **Reference Appendix – Lincoln Motor Manual** for details.



## Parts List All Fluid Types

Item	Part Number	Description	Qty
1	Reference table below	Electric Motor	1
2	H-2226-03	Coupling (Motor Half)	1
3	H-2229	Spider (Hytrel)	1
4	H-2226-14	Coupling (Pump Half)	1
5	Reference 9.3	Motor Driven Hydraulic Pump	1
6	H-1427-02	Pump/Motor Adapter	1

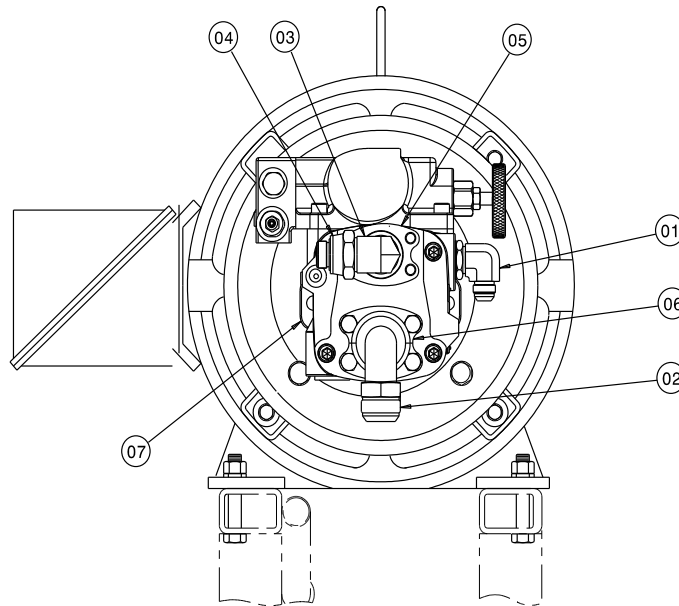
60 Hz Applications	
Voltage	Part Number
380	EC-1224-14
460	EC-1224-14
575	EC-1224-15

50 Hz Applications	
Voltage	Part Number
380	EC-1224-14
415	EC-1224-14
440	EC-1224-14

### 9.3 MOTOR DRIVEN HYDRAULIC PUMP

The hydraulic pump does not require regular maintenance. Under normal operating conditions, the pump will perform for thousands of hours of use without rebuilding. See *Appendix – Oilgear Pump Manual* for further details.

#### 9.3.1 Motor Driven Hydraulic Pump Replacement Parts



### Model 5711 & 5721 Parts List

Fluid Type: MIL-PRF-5606 & MIL-PRF-83282

Item	Part Number	Description	Qty
1	N-2001-24-S-B	Elbow, 12-16	1
2	N-2078-11	Flange, 90° Elbow	1
3	N-2679-12	Flange, Elbow	1
4	N-2055-20-S-B	Reducer, Tube	1
5	N-2664-03-S-B	Kit, Flange	1
6	N-2545-06-S-B	Kit, Flange	1
◆ 7	HC-2494-01	Hydraulic Pump	1

◆ Refer to section 9.14 for listing of Replacement Labels.

### Model 5731 Parts List

Fluid Type: Aviation Phosphate Ester, Type IV and V

Item	Part Number	Description	Qty
1	N-2001-24-S-E	Elbow, 12-16	1
2	N-2078-11	Flange, 90° Elbow	1
3	N-2679-12	Flange, Elbow	1
4	N-2055-20-S-E	Reducer, Tube	1
5	N-2664-03-S-E	Kit, Flange	1
6	N-2545-06-S-E	Kit, Flange	1
7	K-4414	Kit, Hydraulic Pump	1

9.3.2 Hydraulic Pump Replacement Kits List

**Parts List**  
All Fluid Types

Part Number	Description
K517105-B13	Kit, Pump Seal
K-517107-004	Kit, Control Seal
L517104-313	Kit, Shaft and Bearing Seal

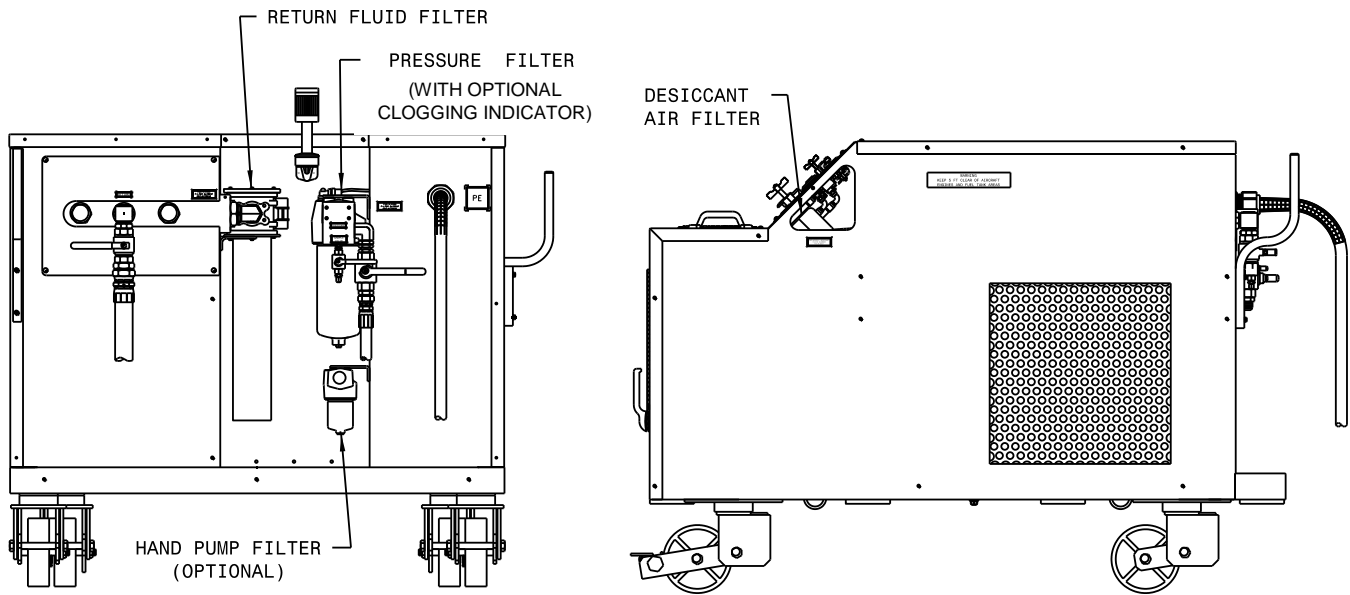
9.4 HYDRAULIC FLUID

Any time an unusual color, smell or visual indicator is noticed with the hydraulic fluid, a sample analysis should be performed to determine the condition of the fluid. (See Section 5.9 – **Sample Valve Operation**)

Refer to the manufacturer of the specific fluid for your unit to obtain additional information:

Model Number	Fluid Type
5711 .....	MIL-PRF-5606
5721 .....	MIL-PRF-83282
5731 .....	Aviation Phosphate Ester, Type IV and V

9.5 FILTERS

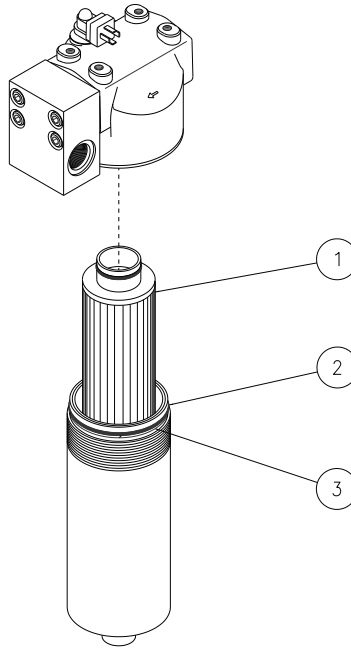


9.5.1 Pressure Filter Element

Replace the filter element any time the optional clogged filter indicator light is triggered.

Replace the filter element annually to ensure proper cleanliness of the hydraulic system. This is a minimum requirement.

Standard filter changes depend on how frequently the HPU is used and the cleanliness of the fluid, along with the environment to which the HPU is exposed. Periodic fluid analysis is recommended to properly determine the optimum frequency of filter element changes.



**Model 5711 & 5721 Parts List**

**Fluid Type: MIL-PRF-5606 & MIL-PRF-83282**

Item	Part Number	Description	Qty
1 - 3	K-3613	Kit, Replacement Filter Element	1
2 & 3	K-3798	Kit, O-ring and Backup Ring	1

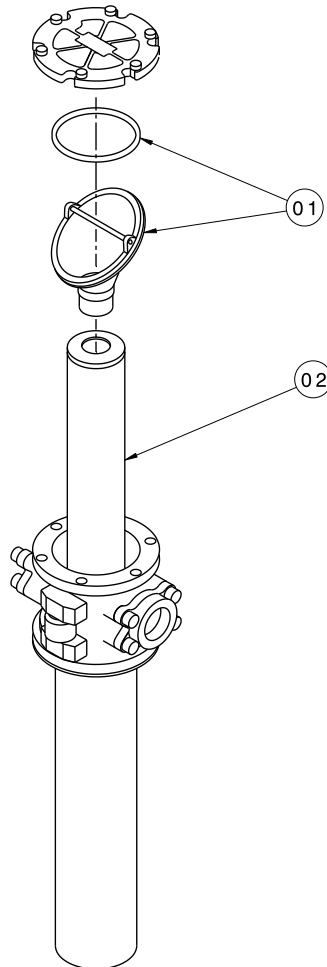
**Model 5731 Parts List**

**Fluid Type: Aviation Phosphate Ester, Type IV and V**

Item	Part Number	Description	Qty
1 - 3	HK-3614	Kit, Replacement Filter Element	1
2 & 3	K-3799	Kit, O-ring and Backup Ring	1

9.5.2 Return Filter Element

Replace the return filter element at the same time the pressure filter element is being replaced.



**Model 5711 & 5721 Parts List**

Fluid Type: MIL-PRF-5606 & MIL-PRF-83282

Item	Part Number	Description	Qty
1	HC-2000-350	O-ring	2
1 & 2	K-3615	Kit, Replacement Filter Element	1

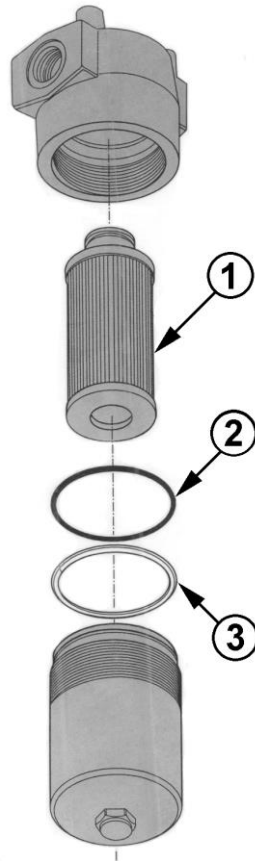
**Model 5731 Parts List**

Fluid Type: Aviation Phosphate Ester, Type IV and V

Item	Part Number	Description	Qty
1	HC-2006-350	O-ring	2
1 & 2	K-3616	Kit, Replacement Filter Element	1

9.5.3 Hand Pump (*Option M*) Filter Element

Replacement of the hand pump filter element is dictated by frequency of use and the cleanliness of the fluid, along with the environment to which the HPU is exposed. Changing the hand pump filter element at the same time as the pressure filter element will ensure a regular maintenance schedule.



**Model 5711 & 5721 Parts List**

Fluid Type: MIL-PRF-5606 & MIL-PRF-83282

Item	Part Number	Description	Qty
1 - 3	K-3751	Kit, Replacement Filter Element	1
2 & 3	K-3796	Kit, O-ring and Backup Ring	1

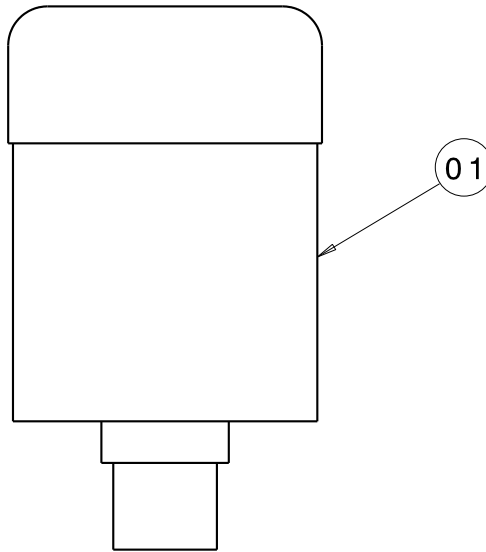
**Model 5731 Parts List**

Fluid Type: Aviation Phosphate Ester, Type IV and V

Item	Part Number	Description	Qty
1 - 3	K-3752	Kit, Replacement Filter Element	1
2 & 3	K-3797	Kit, O-ring and Backup Ring	1

**9.5.4 Desiccant Air Filter**

Replace the desiccant/air filter whenever the material inside the element is pink or reddish in color (see Element Label for details).

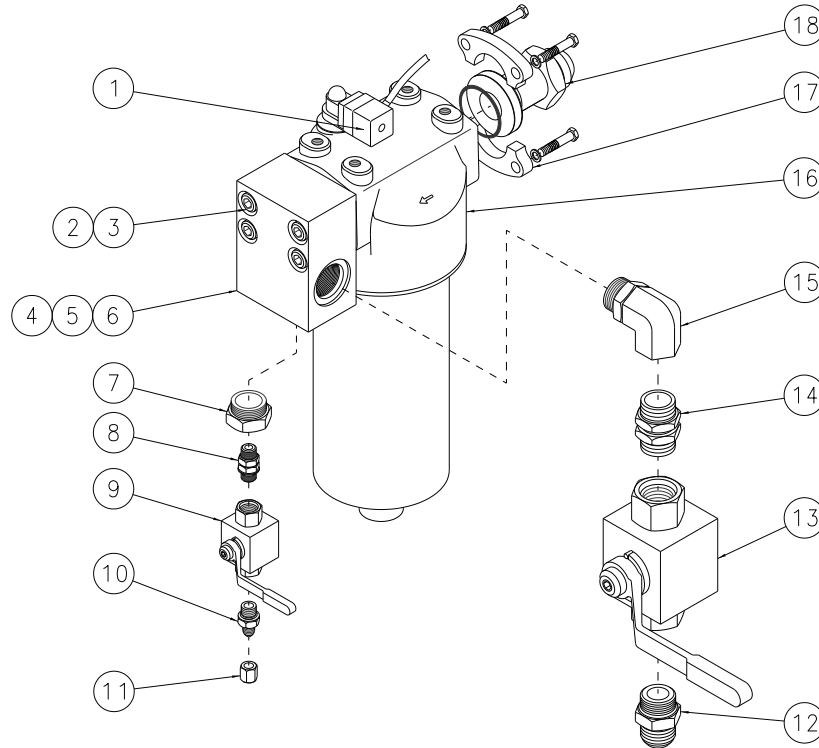
**Parts List****Fluid Type: Aviation Phosphate Ester, Type IV and V**

<b>Item</b>	<b>Part Number</b>	<b>Description</b>	<b>Qty</b>
1	HC-1763	Filter Element	1

## 9.5.5 Pressure Filter Assembly (with optional Electric Filter Clogging Indicator)

The Electric Filter Clogging Indicator does not require regular general maintenance. The panel light will illuminate when the clogging indicator senses a 98 psi differential pressure across the filter element. Installing a new filter element will eliminate the clogged condition. Pushing the illuminated button will reset the indicator light.

**NOTE: Higher flow rates will result in higher differential pressures. (Example: The clogging indicator may sense a 98 psi differential pressure at a flow rate of 34 gpm but not show a clogged condition when the flow rate is reduced to 10 gpm.)**



**Model 5711 & 5721 Parts List**  
Fluid Type: MIL-PRF-5606 & MIL-PRF-83282

Item	Part Number	Description	Qty
1	EC-1778	DIN Connector Cable	1
2	G-1151-109224	Screw, Socket Head Cap, ½-13	1
3	G-1251-1090HC	Lockwasher, high collar	1
4	J-3280	Flange, SAE Adapter	1
5	HC-2000-222	O-ring, Series 2	1
6	N-2053-10-S-B	Plug, Hex Head with O-ring	1
7	N-2463-31-S-B	Fitting, Reducer/Expander	1
8	N-2464-05-S-B	Union, #6 Straight Thread	1
9	HC-1768-02	Valve, Ball	1
10	N-2007-05-S-B	Connector, Straight Thread	1
11	N-2008-03-S	Cap, #4	1
12	N-2007-24-S-B	Connector, Straight Thread	1
13	HC-1768-05	Valve, Ball	1
14	N-2464-10-S-B	Union, #16 Straight Thread	1
15	N-2661-06-S-B	Elbow, Straight Thread	1
16	HC-2044-01	Filter, Pressure	1
17	N-2664-03-S-B	Kit, Flange	1
18	N-2667-05	Adapter, Flange	1



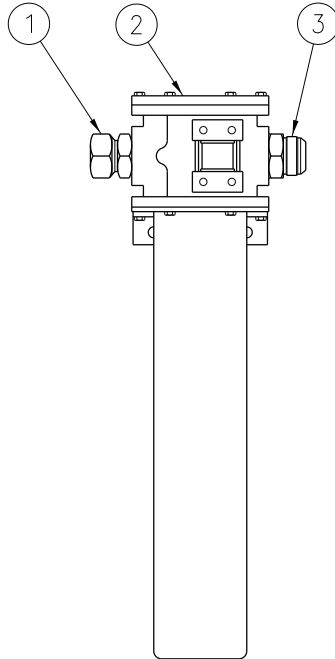
9.5.5 Pressure Filter Assembly (with optional Electric Filter Clogging Indicator) (continued)

**Model 5731 Parts List**

Fluid Type: Aviation Phosphate Ester, Type IV and V

Item	Part Number	Description	Qty
1	EC-1778	DIN Connector Cable	1
2	G-1151-109224	Screw, Socket Head Cap, ½-13	1
3	G-1251-1090HC	Lockwasher, high collar	1
4	J-3280	Flange, SAE Adapter	1
5	HC-2006-222	O-ring, Series 2	1
6	N-2053-10-S-E	Plug, Hex Head with O-ring	1
7	N-2463-31-S-E	Fitting, Reducer/Expander	1
8	N-2464-05-S-E	Union, #6 Straight Thread	1
9	HC-1771-02	Valve, Ball	1
10	N-2007-05-S-E	Connector, Straight Thread	1
11	N-2008-03-S	Cap, #4	1
12	N-2007-24-S-E	Connector, Straight Thread	1
13	HC-1771-05	Valve, Ball	1
14	N-2464-10-S-E	Union, #16 Straight Thread	1
15	N-2661-06-S-E	Elbow, Straight Thread	1
16	HC-2044-02	Filter, Pressure	1
17	N-2664-03-S-E	Kit, Flange	1
18	N-2667-05	Adapter, Flange	1

9.5.6 Return Filter Assembly



**Model 5711 & 5721 Parts List**  
Fluid Type: MIL-PRF-5606 & MIL-PRF-83282

Item	Part Number	Description	Qty
1	N-2036-13-S-B	Fitting, 37° Swivel	1
2	HC-2045-01	Filter, Return	1
3	N-2007-31-S-B	Connector, #24 Straight Thread	1

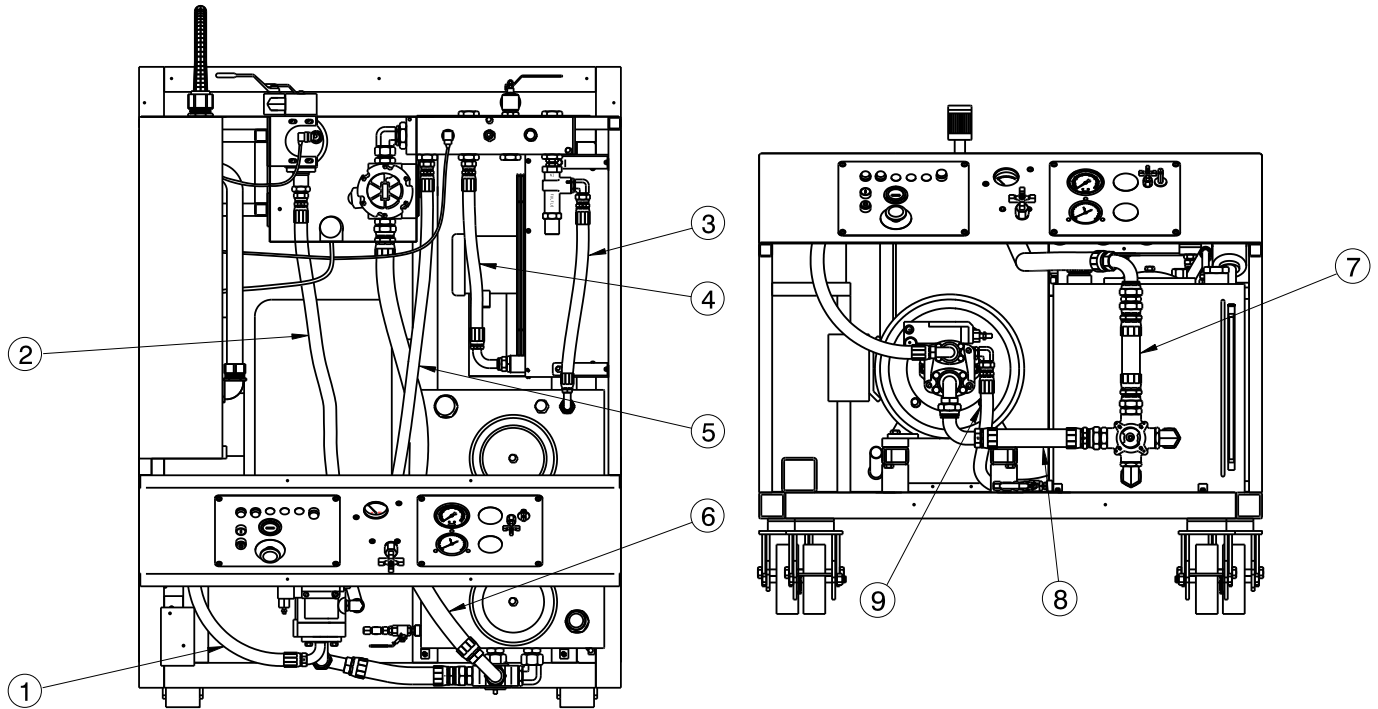
**Model 5731 Parts List**  
Fluid Type: Aviation Phosphate Ester, Type IV and V

Item	Part Number	Description	Qty
1	N-2036-13-S-E	Fitting, 37° Swivel	1
2	HC-2045-02	Filter, Return	1
3	N-2007-31-S-E	Connector, #24 Straight Thread	1

This page left blank intentionally.

## 9.6 HYDRAULIC HOSES

Hoses used on the HPU must be periodically inspected for damage, blisters, leaks, or hose end problems. Any damaged or defective hose should be replaced as soon as possible.



**Model 5711 Parts List**  
Fluid Type: MIL-PRF-5606

Item	Part Number	Description	Qty
1	TF-1038-25*80.5	Assembly, Hose #16	1
2	TF-1038-37*41.4	Assembly, Hose #16	1
3	TF-1038-31*27.0	Assembly, Hose #16	1
4	TF-1038-31*27.0	Assembly, Hose #16	1
5	TF-1037-24*50.5	Assembly, Hose #16	1
6	TF-1039-13*56.5	Assembly, Hose #24	1
7	TF-1039-12*11.5	Assembly, Hose #24	1
8	TF-1039-13*17.3	Assembly, Hose #24	1
9	TF-1037-22*60.0	Assembly, Hose #16	1
N/S	TF-1038-28*300	External Pressure Hose	1
N/S	TF-1039-12*300	External Return Hose	1

9.6 HYDRAULIC HOSES (continued)

Hoses used on the HPU must be periodically inspected for damage, blisters, leaks, or hose end problems. Any damaged or defective hose should be replaced as soon as possible.

**Model 5721 Parts List**

Fluid Type: MIL-PRF-83282

Item	Part Number	Description	Qty
1	TF-1038-25*80.5	Assembly, Hose #16	1
2	TF-1038-28*39.0	Assembly, Hose #16	1
3	TF-1038-32*27.0	Assembly, Hose #16	1
4	TF-1038-31*27.0	Assembly, Hose #16	1
5	TF-1037-24*50.5	Assembly, Hose #16	1
6	TF-1039-13*56.5	Assembly, Hose #24	1
7	TF-1039-12*11.5	Assembly, Hose #24	1
8	TF-1039-13*17.3	Assembly, Hose #24	1
9	TF-1037-22*60.0	Assembly, Hose #16	1
N/S	TF-1038-28*300	External Pressure Hose	1
N/S	TF-1039-12*300	External Return Hose	1

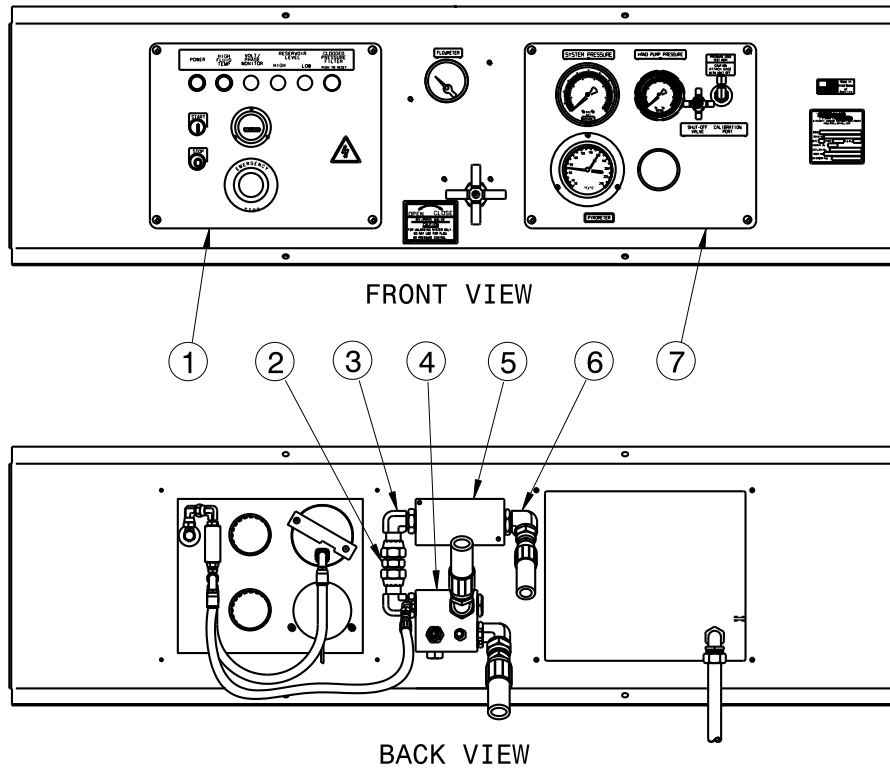
**Model 5731 Parts List**

Fluid Type: Aviation Phosphate Ester, Type IV and V

Item	Part Number	Description	Qty
1	TF-1040-43*80.5	Assembly, Hose #16	1
2	TF-1040-02*41.4	Assembly, Hose #16	1
4	TF-1041-16*27.0	Assembly, Hose #16	2
5	TF-1041-52*50.5	Assembly, Hose #16	1
6	TF-1041-17*56.5	Assembly, Hose #24	1
7	TF-1041-04*11.5	Assembly, Hose #24	1
8	TF-1040-47*17.3	Assembly, Hose #24	1
9	TF-1041-01*60.0	Assembly, Hose #16	1
N/S	TF-1040-05*300	External Pressure Hose	1
N/S	TF-1041-04*300	External Return Hose	1

## 9.7 INSTRUMENT PANEL

Refer to Section 9.6 *Hydraulic Hoses* concerning hose inspection for general maintenance on Item 3 Hose Assembly.



### Model 5711 & 5721 Parts List

Fluid Type: MIL-PRF-5606 & MIL-PRF-83282

Item	Part Number	Description	Qty
1	See Section 9.7.1	Electric Panel	1
2	N-2665-08-S-B	Fitting, ORFS Tube End	1
3	N-2634-05-S-B	Elbow, 90°	1
4	See Section 9.7.3	Assembly, Pressure Manifold	1
5	HC-1404	Flowmeter	1
	HC-1404-01	Flowmeter (Calibrated)	1
6	N-2001-25-S-B	Elbow, 90°	1
7	See Section 9.7.2	Hydraulic Panel	1

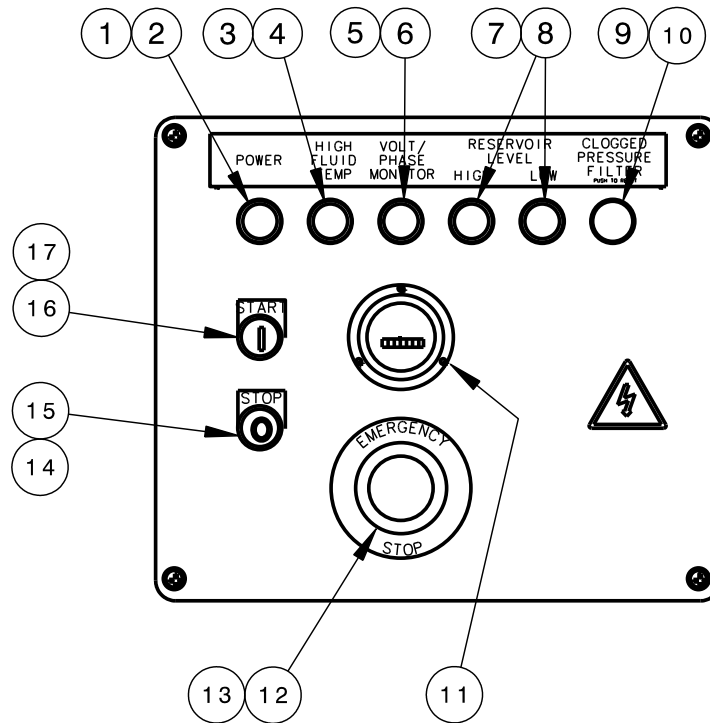
### Model 5731 Parts List

Fluid Type: Aviation Phosphate Ester, Type IV and V

Item	Part Number	Description	Qty
1	See Section 9.7.1	Electric Panel	1
2	N-2665-08-S-E	Fitting, ORFS Tube End	1
3	N-2634-05-S-E	Elbow, 90°	1
4	See Section 9.7.3	Assembly, Pressure Manifold	1
5	HC-1404	Flowmeter	1
	HC-1404-01	Flowmeter (Calibrated)	1
6	N-2001-25-S-E	Elbow, 90°	1
7	See Section 9.7.2	Hydraulic Panel	1

## 9.7.1 Electric Panel

The Electric Panel does not require regular general maintenance.

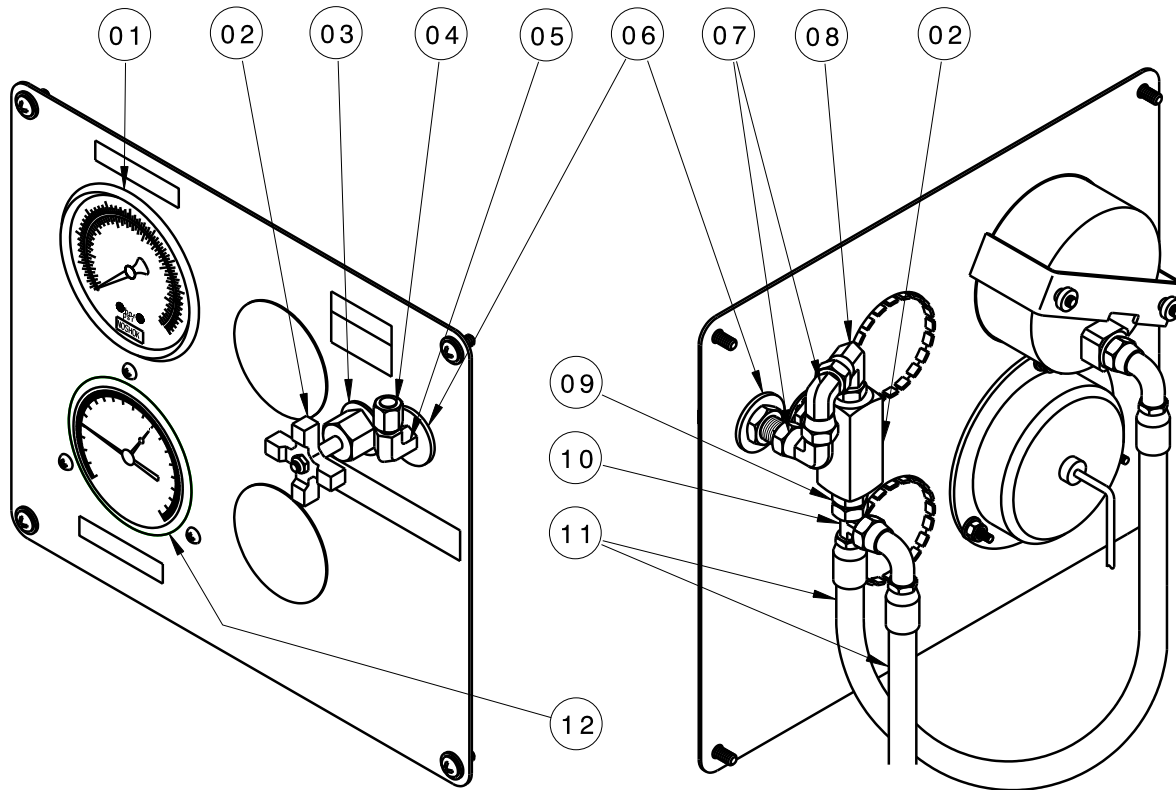


### Parts List All Fluid Types

Item	Component	Part Number	Description	Qty
1	Standard	EC-1945-01	Light, Diffused Pilot	1
2	Standard	EC-1951-MN5G	Power, Module w/Latch	1
3	Option	EC-1945-03	Light, Diffused Pilot	1
4	Option	EC-1951-MN5Y	Power, Module w/Latch	1
5	Option	EC-1945-03	Light, Diffused Pilot	1
6	Option	EC-1951-MN5Y	Power, Module w/Latch	1
7	Option	EC-1945-04	Light, Diffused Pilot	2
8	Option	EC-1951-MN5B	Power, Module w/Latch	2
9	Option	EC-1952	Push Button, Illuminated/Flush	1
10	Option	EC-1944	Power, Module w/Contact/Latch	1
11	Option	EC-1577	Hour Meter (50 Hz Operation)	1
		EC-1578	Hour Meter (60 Hz Operation)	1
12	Option	EC-1948	Switch, Emergency Stop	1
13	Standard	EC-1946-MX02	Contact Block w/Latch	1
14	Standard	EC-1953-ME205	Push Button, Non-Illuminated	1
15	Standard	EC-1946-MX01	Contact Block w/Latch	1
16	Standard	EC-1953-MF306	Push Button, Non-Illuminated	1
17	Standard	EC-1946-MX10	Contact Block w/Latch1	1

## 9.7.2 Hydraulic Panel

Annual calibration of instrumentation is recommended. See Section **12.0 – Calibration of Instrumentation** for details of calibration.



### Model 5711 & 5721 Parts List

Fluid Type: MIL-PRF-5606 & MIL-PRF-83282

Item	Part Number	Description	Qty
1	HC-2144	Gauge, Pressure	1
2	HC-1900-01	Valve, Needle	1
3	HC-1122	Kit, Panel Mounting	1
4	N-2008-03-S	Cap, 3/4 JIC	1
5	N-2022-03-S	Elbow, Bulkhead Union #4	1
6	G-1250-1080W	Flatwasher, 7/16 Wide	1
7	N-2002-03-S	Elbow, 90° Swivel Nut #4	2
8	N-2049-07-S-B	Elbow, 90° Swivel 6-4	1
9	N-2007-03-S-B	Connector, Straight Thread	1
10	N-2016-03-S	Tee, Swivel Nut Run #4	1
11	TF-1038-16*24.0	Assembly, Hose	2
12	HC-2268-01	Gauge, Pyrometer (Optional)	1



9.7.2 Hydraulic Panel (continued)

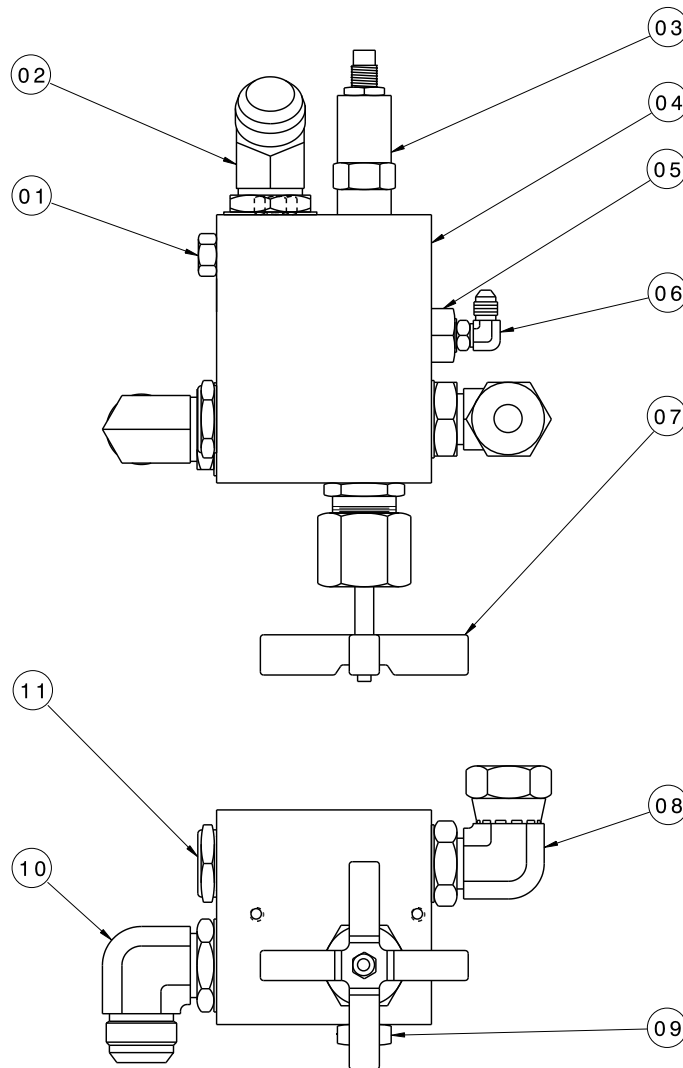
**Model 5731 Parts List**

Fluid Type: Aviation Phosphate Ester, Type IV and V

Item	Part Number	Description	Qty
1	HC-2144	Gauge, Pressure	1
2	HC-1900-02	Valve, Needle	1
3	HC-1122	Kit, Panel Mounting	1
4	N-2008-03-S	Cap, 3/4 JIC	1
5	N-2022-03-S	Elbow, Bulkhead Union #4	1
6	G-1250-1080W	Flatwasher, 7/16 Wide	1
7	N-2002-03-S	Elbow, 90° Swivel Nut #4	2
8	N-2049-07-S-E	Elbow, 90° Swivel 6-4	1
9	N-2007-03-S-E	Connector, Straight Thread	1
10	N-2016-03-S	Tee, Swivel Nut Run #4	1
11	TF-1040-42*24.0	Assembly, Hose	2
12	HC-1769-02	Gauge, Pyrometer (Optional)	1

### 9.7.3 Pressure Manifold Assembly

The Pressure Manifold components do not require regular general maintenance.



### Model 5711 & 5721 Parts List

Fluid Type: MIL-PRF-5606 & MIL-PRF-83282

Item	Part Number	Description	Qty
1	N-2053-05-S-B	Plug, O-ring Hex Head	2
2	N-2042-16-S-B	Connector, 45° Straight Thread	1
3	HC-1442	Valve, Pressure Relief	1
4	J-3245	Manifold, Pressure	1
5	N-2463-36-S-B	Fitting, Reducer-Expander	1
6	N-2001-03-S-B	Connector, Straight Thread	1
7	HC-1254-05	Valve, Needle	1
8	N-2634-05-S-B	Elbow, 90° Swivel & O-ring	1
9	N-2053-07-S-B	Plug, O-ring Hex Head	1
10	N-2001-24-S-B	Elbow, Straight Thread 90°	1
11	HC-2158	Valve, Check	1

## 9.7.3 Pressure Manifold Assembly (continued)

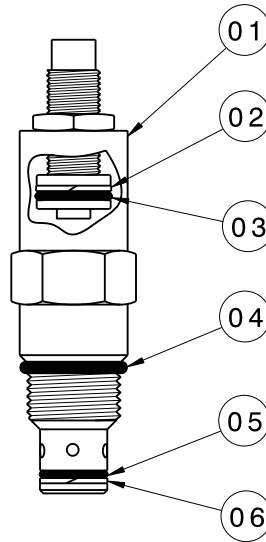
**Model 5731 Parts List**

Fluid Type: Aviation Phosphate Ester, Type IV and V

Item	Part Number	Description	Qty
1	N-2053-05-S-E	Plug, O-ring Hex Head	2
2	N-2042-16-S-E	Connector, 45° Straight Thread	1
3	HC-1445	Valve, Pressure Relief	1
4	J-3245	Manifold, Pressure	1
5	N-2463-36-S-E	Fitting, Reducer-Expander	1
6	N-2001-03-S-E	Connector, Straight Thread	1
7	HC-1927-06	Valve, Needle	1
8	N-2634-05-S-E	Elbow, 90° Swivel & O-ring	1
9	N-2053-07-S-E	Plug, O-ring Hex Head	1
10	N-2001-24-S-E	Elbow, Straight Thread 90°	1
11	HC-2159	Valve, Check	1

9.7.3.a System Pressure Relief Valve

The System Pressure Relief Valve does not require regular general maintenance. It is possible however, for a contaminant to hold the relief valve in a partially open condition. If service is required, the new or repaired relief valve must be reset to 4,000 psig.



**Model 5711 & 5721 Parts List**

Fluid Type: MIL-PRF-5606 & MIL-PRF-83282

Item	Part Number	Description	Qty
◆ 1	HC-1442	Pressure Relief Valve ( <i>Not Set</i> )	1
2	HC-2020-015	Backup Ring, ( <i>Teflon</i> )	1
3	HC-2000-015	O-ring, Series 2	1
4	HC-2010-910	O-ring, Series 3	1
5	HC-2000-014	O-ring, Series 2	1
6	HC-2020-014	Backup Ring, ( <i>Teflon</i> )	1

◆ *Item 1 consists of Items 2 – 6.*

**Model 5731 Parts List**

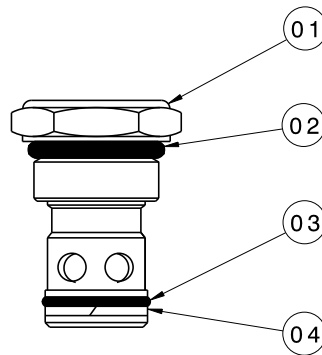
Fluid Type: Aviation Phosphate Ester, Type IV and V

Item	Part Number	Description	Qty
◆ 1	HC-1445	Pressure Relief Valve ( <i>Not Set</i> )	1
2	HC-2020-015	Backup Ring, ( <i>Teflon</i> )	1
3	HC-2006-015	O-ring, Series 2	1
4	HC-2013-910	O-ring, Series 3	1
5	HC-2006-014	O-ring, Series 2	1
6	HC-2020-014	Backup Ring, ( <i>Teflon</i> )	1

◆ *Item 1 consists of Items 2 – 6.*

9.7.3.b Check Valve

The Check Valve does not require regular general maintenance.



**Model 5711 & 5721 Parts List**

Fluid Type: MIL-PRF-5606 & MIL-PRF-83282

Item	Part Number	Description	Qty
◆ 1	HC-2158	Check Valve	1
2	HC-2010-912	O-ring, Series 3	1
3	HC-2000-115	O-ring, Series 2	1
4	HC-2020-115	Backup Ring	1

◆ *Item 1 consists of Items 2 – 4.*

**Model 5731 Parts List**

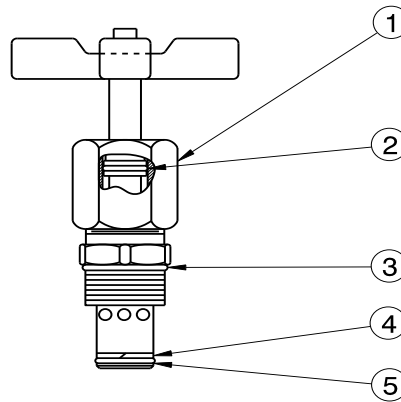
Fluid Type: Aviation Phosphate Ester, Type IV and V

Item	Part Number	Description	Qty
◆ 1	HC-2159	Check Valve	1
2	HC-2013-912	O-ring, Series 3	1
3	HC-2006-115	O-ring, Series 2	1
4	HC-2020-115	Backup Ring	1

◆ *Item 1 consists of Items 2 – 4.*

### 9.7.3.c Bypass Valve

The Bypass Valve does not require regular general maintenance.



### Model 5711 & 5721 Parts List

Fluid Type: MIL-PRF-5606 & MIL-PRF-83282

Item	Part Number	Description	Qty
◆ 1	HC-1254-05	Needle Valve	1
2	HC-2000-112	O-ring	1
3	HC-2010-916	O-ring	1
4	HC-2020-118	Backup Ring	1
5	HC-2000-118	O-ring	1

◆ *Item 1 consists of Items 2 – 5.*

### Model 5731 Parts List

Fluid Type: Aviation Phosphate Ester, Type IV and V

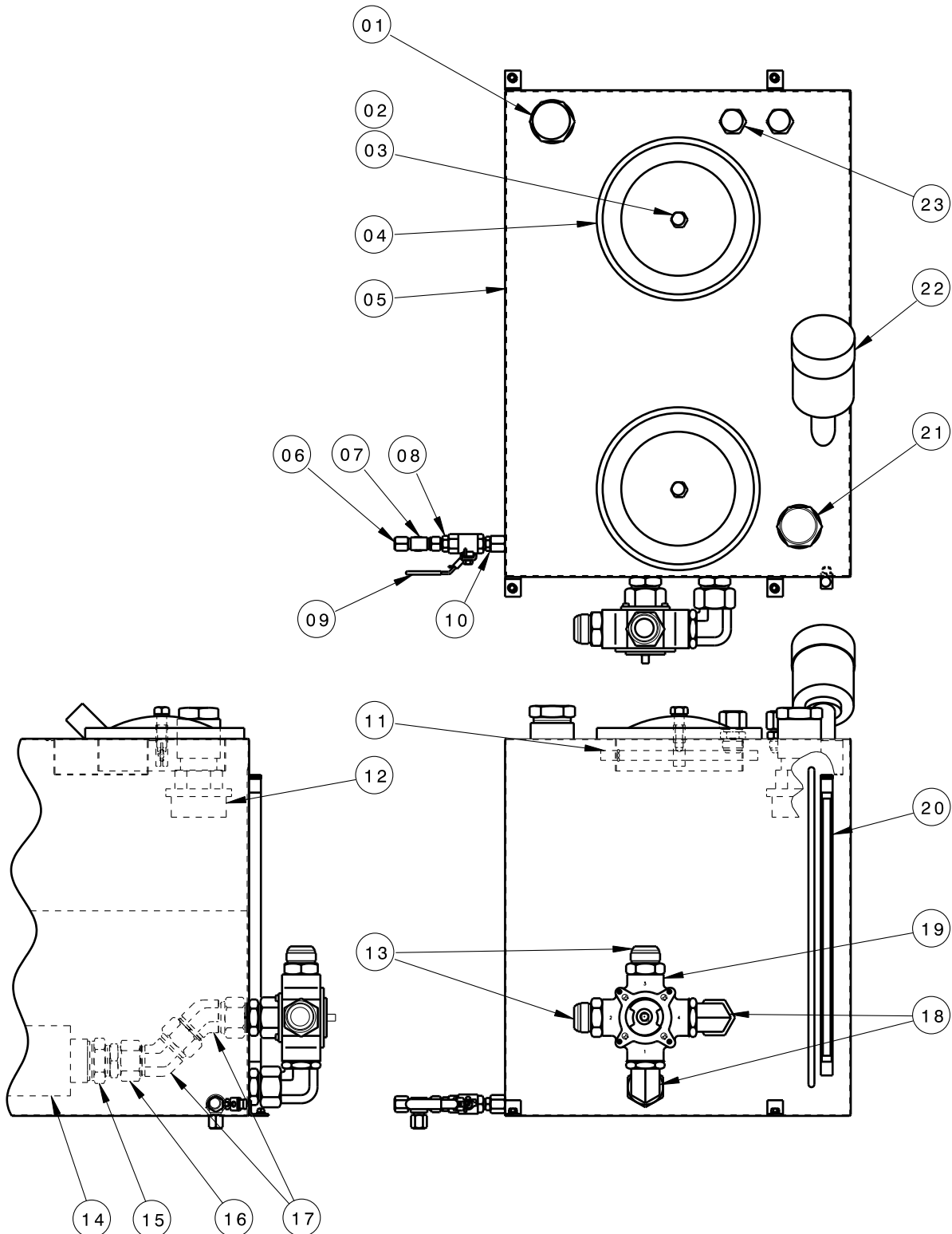
Item	Part Number	Description	Qty
◆ 1	HC-1927-06	Needle Valve	1
2	HC-2006-112	O-ring	1
3	HC-2013-916	O-ring	1
4	HC-2020-118	Backup Ring	1
5	HC-2000-118	O-ring	1

◆ *Item 1 consists of Items 2 – 5.*

This page left blank intentionally.

## 9.8 RESERVOIR ASSEMBLY

Replace the desiccant air filter whenever the material inside the element is pink or reddish in color (See Element label for details). The Reservoir Assembly does not require regular general maintenance. If periodic inspections for silt are desired, be certain to thoroughly clean the dome cover and surrounding area before removing the dome cover. The Selector Valve (Item 19) is not field serviceable.





9.8 RESERVOIR ASSEMBLY (continued)

**Model 5711 & 5721 Parts List**  
Fluid Type: MIL-PRF-5606 & MIL-PRF-83282

Item	Part Number	Description	Qty
1	N-2206-09-S	Plug, Hex Head, 2" NPT	1
2	G-1100-110016	Bolt, Hex Head, Grade 5, 5/8" - 11 x 1 3/4" long	2
3	H-1735-02	Washer, Nylon	2
4	H-1740	Assembly, Cover	2
5	H-2537	Reservoir, 70 gallon (Stainless Steel)	1
6	N-2008-06-S	Cap, #8	2
7	N-2016-06-S	Tee, Swivel Run, #8 JIC	1
8	N-2007-11-S-B	Connector, Straight Thread #8 SAE x #8 JIC	1
9	HC-1761	Valve, Ball SAE #8 Lockable	1
10	HC-2010-908	O-ring, Series 3	1
11	Z-2394-01	Assembly, Clamp	2
12	HC-1542	Strainer, Nipple Style	1
13	N-2007-31-S-B	Connector, Straight Thread #24 SAE x #24 JIC	2
14	HC-1397-05	Diffuser	1
15	N-2210-25-S	Reducer, Pipe Thread	1
16	N-2030-15-S	Fitting, Swivel Nut	1
17	N-2081-10-S	Fitting, 45° Swivel Nut	2
18	N-2049-24-S-B	Elbow, 90° Swivel, #24	2
19	HC-2042-01	Valve, Selector, #24 SAE	1
20	HC-1382-18	Gauge, Sight, 18"	1
21	N-2206-09-SS	Plug, Hex Head	1
22	HC-1763	Filter, Desiccant	1
23	N-2008-10-S	Cap, #10	2

9.8 RESERVOIR ASSEMBLY (continued)

**Model 5731 Parts List**

Fluid Type: Aviation Phosphate Ester, Type IV and V

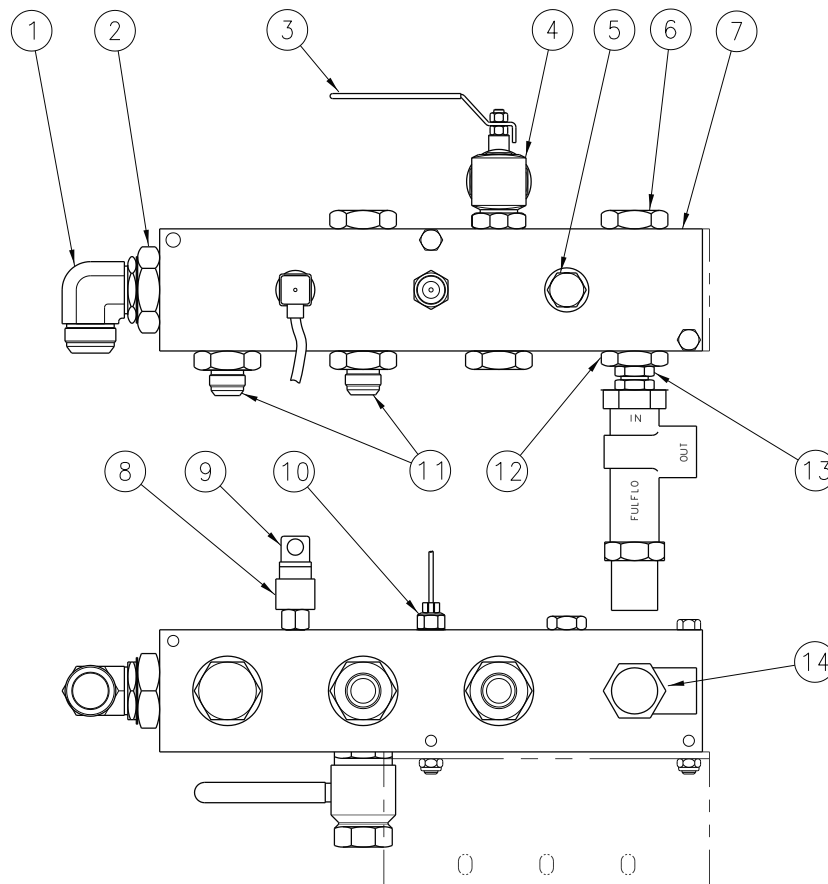
Item	Part Number	Description	Qty
1	N-2206-09-S	Plug, Hex Head, 2" NPT	1
2	G-1202-110016	Stopnut, Elastic 5/8-11	2
3	H-1735-02	Washer, Nylon	2
4	H-1741	Assembly, Cover	2
5	H-2537	Reservoir, 70 gallon (Stainless Steel)	1
6	N-2008-06-S	Cap, #8	2
7	N-2016-06-S	Tee, Swivel Run, #8 JIC	1
8	N-2007-11-S-E	Connector, Straight Thread #8 SAE x #8 JIC	1
9	HC-1761	Valve, Ball SAE #8 Lockable	1
10	HC-2013-908	O-ring, Series 3	1
11	Z-2199	Weldment, Clamp	2
12	HC-1542	Strainer, Nipple Style	1
13	N-2007-31-S-E	Connector, Straight Thread #24 SAE x #24 JIC	2
14	HC-1397-05	Diffuser	1
15	N-2210-25-S	Reducer, Pipe Thread	1
16	N-2030-15-S	Fitting, Swivel Nut	1
17	N-2081-10-S	Fitting, 45° Swivel Nut	2
8	HC-2049-24-S-E	Elbow, 90° Swivel, #24	2
19	HC-2042-02	Valve, Selector, #24 SAE	1
20	HC-1383-18	Gauge, Sight, 18"	1
21	N-2206-09-SS	Plug, Hex Head	1
22	HC-1763	Filter, Desiccant	1
23	N-2008-10-S	Cap, #10	2

This page left blank intentionally.

## 9.9 RETURN MANIFOLD ASSEMBLY

The Return Manifold does not require regular general maintenance.

**NOTE: DO NOT attempt to adjust the Return System Pressure Relief Valve. See Section 9.9.1 Return System Pressure Relief Valve for details.**



### Model 5711 & 5721 Parts List

Fluid Type: MIL-PRF-5606 & MIL-PRF-83282

Item	Part Number	Description	Qty
1	N-2001-31-S-B	Elbow, Straight Thread, #24 SAE x #24 JIC	1
2	N-2463-28-S-B	Fitting, Reducer/Expander, 24/32 SAE	1
3	HC-2058-02	Valve, Ball	1
4	N-2666-08-S-B	Elbow, Straight Thread, #24 SAE	1
5	N-2053-08-S-B	Plug, Hex Head, #12 O-ring	1
6	N-2053-12-S-B	Plug, Hex Head, #24 O-ring	3
7	HC-2043	Manifold, Return	1
8	EC-1782-01	Switch, Temperature (Optional)	1
9	EC-1778	Cable, DIN Connector (Optional)	1
10	HC-2268-01	Gauge, Pyrometer (Optional)	1
11	N-2007-34-S-B	Connector, Straight Thread, #24 SAE x #16 JIC	2
12	N-2463-24-S-B	Fitting, Reducer/Expander, 16/24	1
13	N-2464-10-S-B	Union, Straight Thread #16 SAE	1
14	HC-2201	Valve, Pressure Relief (Pre-set)	1

9.9 RETURN MANIFOLD ASSEMBLY (continued)

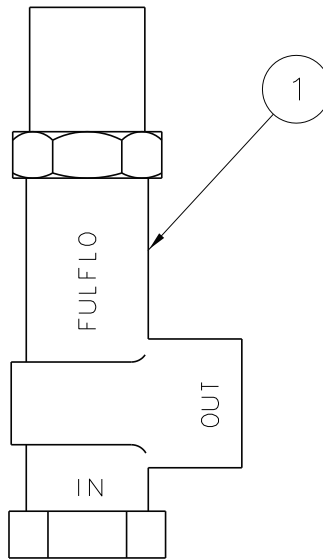
**Model 5731 Parts List**

Fluid Type: Aviation Phosphate Ester, Type IV and V

Item	Part Number	Description	Qty
1	N-2001-31-S-E	Elbow, Straight Thread, #24 SAE x #24 JIC	1
2	N-2463-28-S-E	Fitting, Reducer/Expander, 24/32 SAE	1
3	HC-2058-02	Valve, Ball	1
4	N-2666-08-S-E	Elbow, Straight Thread, #24 SAE	1
5	N-2053-08-S-E	Plug, Hex Head, #12 O-ring	1
6	N-2053-12-S-E	Plug, Hex Head, #24 O-ring	3
7	HC-2043	Manifold, Return	1
8	EC-1782-02	Switch, Temperature (Optional)	1
9	EC-1778	Cable, DIN Connector (Optional)	1
10	HC-1769-02	Gauge, Pyrometer (Optional)	1
11	N-2007-34-S-E	Connector, Straight Thread, #24 SAE x #16 JIC	2
12	N-2463-24-S-E	Fitting, Reducer/Expander, 16/24	1
13	N-2464-10-S-E	Union, Straight Thread #16 SAE	1
14	HC-2202	Valve, Pressure Relief ( <i>Pre-set</i> )	1

9.9.1 Return System Pressure Relief Valve

The Return System Pressure Relief Valve can be purchased as a preset assembly. If the relief valve is serviced by the end user, the valve must be set to crack at 150+/-7 psig **before** being re-installed on the HPU.



**Model 5711 & 5721 Parts List**

Fluid Type: MIL-PRF-5606 & MIL-PRF-83282

Item	Part Number	Description	Qty
1	HC-2201	Valve, Pressure Relief ( <i>Pre-set</i> )	1
N/S	◆ HC-2000-220	O-ring, Series 2	1

◆ *Included with Item 1.*

**Model 5731 Parts List**

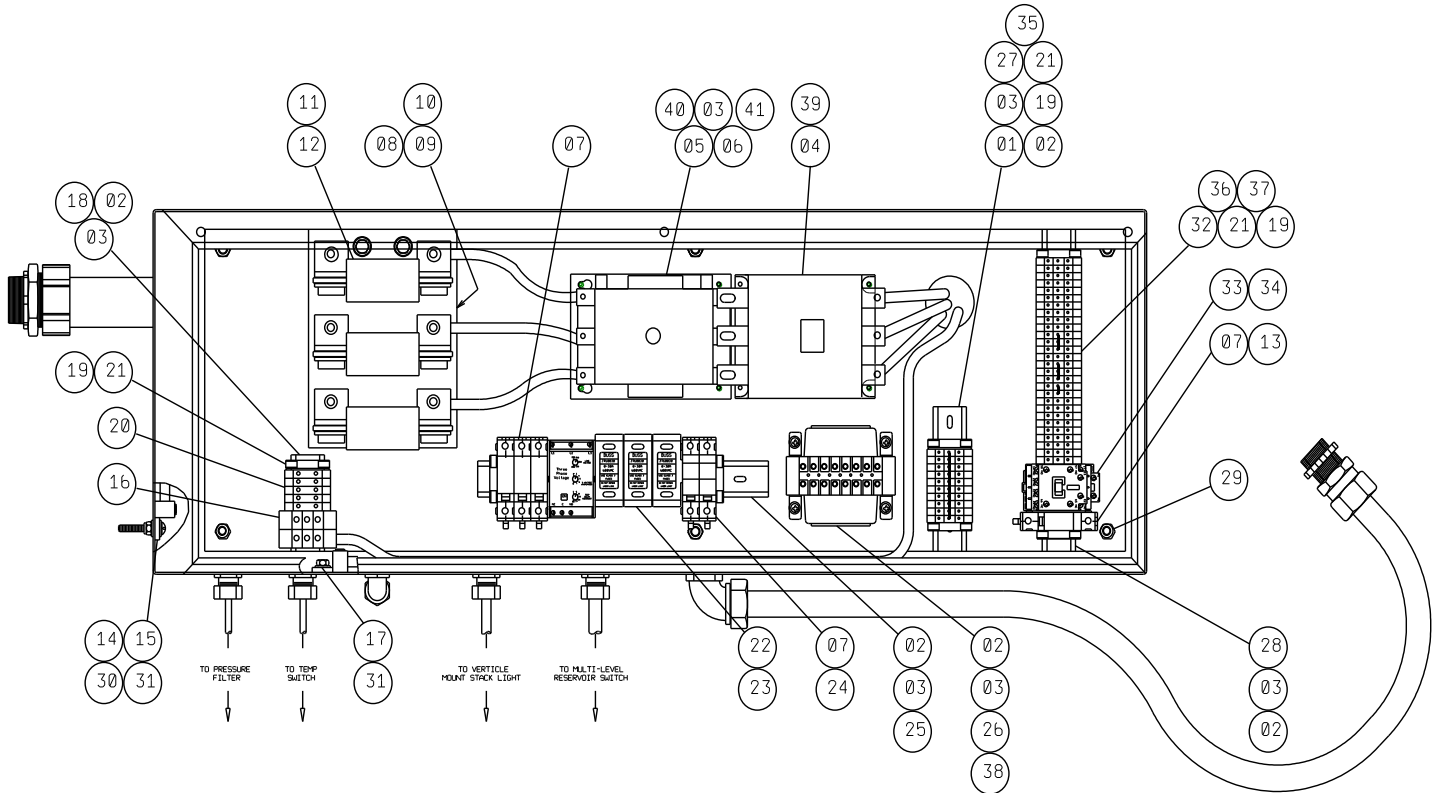
Fluid Type: Aviation Phosphate Ester, Type IV and V

Item	Part Number	Description	Qty
1	HC-2202	Valve, Pressure Relief ( <i>Pre-set</i> )	1
N/S	◆ HC-2006-220	O-ring, Series 2	1

This page left blank intentionally.

## 9.10 ELECTRICAL COMPONENTS

Regularly inspect the external power cord for nicks, cuts, abrasion, and fluid damage. Replace power cord if damage is found. See Section 10.0 Provision of Spares for recommended spare fuses.



Set Item 04 to Automatic Reset position. Wire per Electrical Schematic INS-2016. Reference Wire Diagram INS-1597.

### Parts List All Fluid Types

Item	Part Number	Description	Qty
1	EC-1598	Rail, Din	1
2	G-1159-103504	Screw, RD HD CRS REC, #10-32 x ½ Long	16
3	G-1250-1030N	Flatwasher, #10 Narrow	16
4	EC-1920	Relay, Overload	1
6	EC-1924-02	Lug Set, Terminal	2
7	EC-1541-01	Fuse Holder, IEC Class CC	3
8	EC-2695	Fuse Block, Class J	1
9	G-1100-106506	Bolt, HH GR 5, 5/16-24 x ¾ Long	4
10	G-1250-1060N	Flatwasher, 5/16 Narrow	4
11	EC-2697	Cover, Sami Fuse	3
13	EC-1542-09	Fuse, LP-CC-Low Peak 1-6/10A	1
14	EC-1432-04	Lug, Ground	1
15	G-1159-105516	Screw, RND HD CRS REC, ¼ - 28 x 1 ¾ Long	1
16	EC-1957	Block, IEC Ground	2
17	EC-1532-02	Lug, Ground	1
18	EC-1600	Rail, Din	1
19	EC-1959	Anchor, IEC End	7
20	EC-1958	Block, IEC Ground	5



9.10 ELECTRICAL COMPONENTS (continued)

**Parts List**  
All Fluid Types

Item	Part Number	Description	Qty
21	EC-1960-01	Barrier, End	3
22	EC-1596-01	Fuse Holder, Class J	3
23	EC-1557-01	Fuse, Class J	3
25	EC-1599	Rail, Din	1
27	EC-1956-03	Block, IEC Terminal (Blue)	10
28	EC-1597	Rail, Din	1
29	G-1202-1070	Stopnut, Elastic 3/8 – 16	6
30	G-1202-1055	Stopnut, Elastic ¼ - 28	1
31	G-1250-1050N	Flatwasher, ¼ Narrow	4
32	EC-1956-02	Block, IEC Terminal (Red)	28
3	EC-1591-04	Latch, Mechanical	1
34	EC-1564	Relay, Control	1
35	EC-1961-04	Jumper, Center	1
36	EC-1961-02	Jumper, Center	2
37	EC-1961-01	Jumper, Center	1
38	EC-1826	Guard, Finger Touchproof	1
39	EC-1965	Shield, Current Adjustment	1

**THE FOLLOWING PARTS ARE APPLICATION SPECIFIC**

Be sure to locate the correct voltage and hertz of the unit before selecting the part

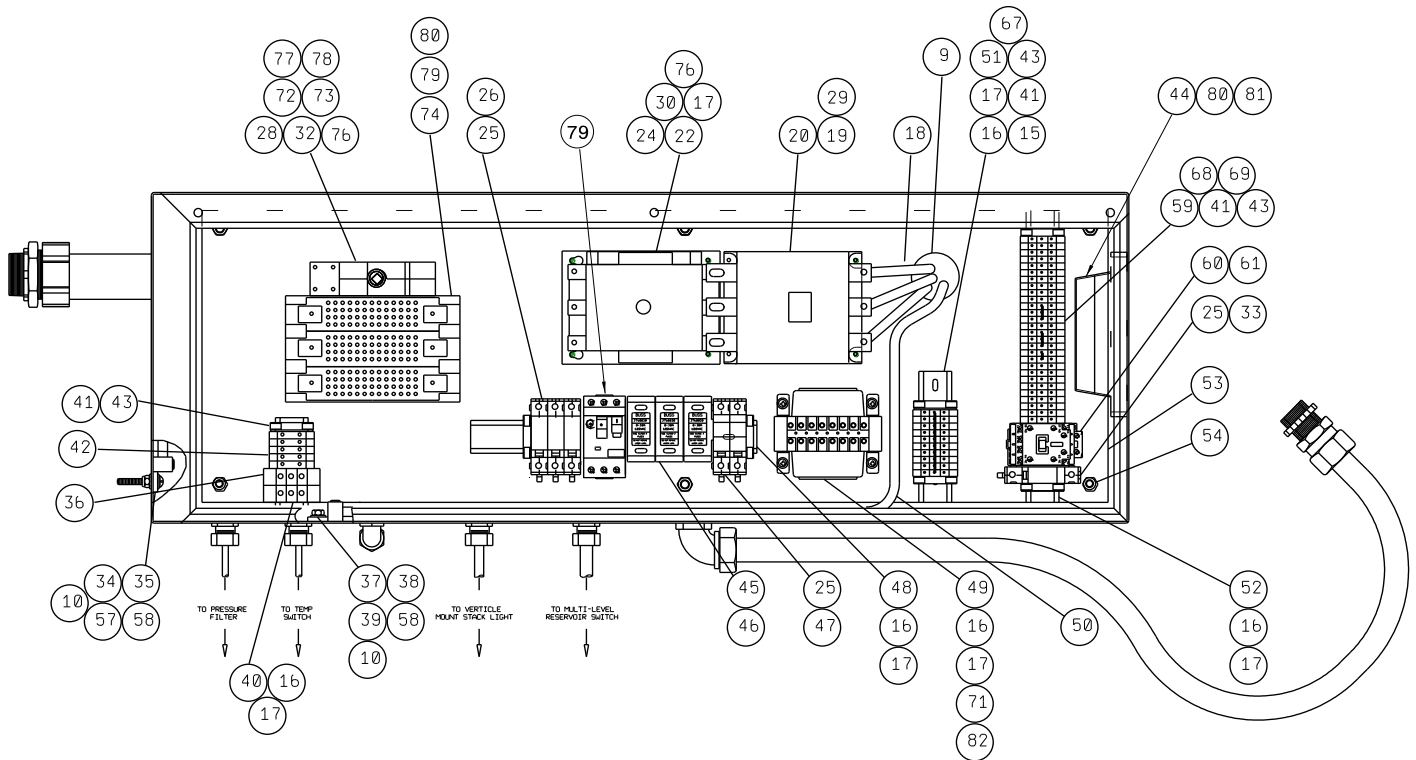
Item	60 Hz Applications			Description	Qty
	380 V	460 V	575V		
5	EC-1923	EC-1922	EC-1922	Contactora, IEC Motor	1
12	EC-1556-07	EC-1556-06	EC-1556-04	Fuse, Class J	3
24	EC-1726-08	EC-1726-07	EC-1726-05	Fuse, Class CC	2
26	EC-1804-03	EC-1147	EC-1804-03	Transformer, Control (150 W)	1

Item	50 Hz Applications			Description	Qty
	380 V	415 V	440V		
5	EC-1923	EC-1922	EC-1922	Contactora, IEC Motor	1
12	EC-1556-07	EC-1556-07	EC-1556-06	Fuse, Class J	3
24	EC-1726-08	EC-1726-08	EC-1726-08	Fuse, Class CC	2
26	EC-1804-03	EC-1804-03	EC-1804-03	Transformer, Control (150 W)	1

### 9.10.1 Electrical Components With 100 ft Input Cord option

Regularly inspect the external power cord for nicks, cuts, abrasion, and fluid damage. Replace power cord if damage is found. See Section 10.0 Provision of Spares for recommended spare fuses.

Set Item 04 to Automatic Reset position. Wire per Electrical Schematic INS-2016. Reference Wire Diagram INS-1597.



### Parts List All Fluid Types

Item	Part Number	Description	Qty
9	H-1901-29	Grommet	1
10	V-1665	Label, Ground	2
15	EC-1598	Rail, Din	1
16	G-1159-103504	Screw, RD HD CRS REC, #10-32 x ½ Long	12
17	G-1250-1030N	Flatwasher, #10 Narrow	16
18	EC-1263-05*72.0	Wire, Power	3
19	EC-1920	Relay, Overload	1
20	EC-1964-01	Cover, Terminal Overload	3
24	V-2293	Label, Circuit Capable	2
25	EC-1541-01	Fuse Holder, IEC Class CC	3
26	EC-1675-12	Fuse, KTK-R 2 Amp	Ref
29	EC-1924-02	Lug Set, Terminal	2
30	G-1159-103510	Screw, RD HD CRS REC, #10-32 x 1 Long	6
33	EC-1542-09	Fuse, LP-CC-Low Peak 1-6/10A	1
34	EC-1432-04	Lug, Ground	1
35	G-1159-105516	Screw, RD HD CRS REC, ¼ - 28 x 1 ¼ Long	1
36	EC-1957	Block, IEC Ground	2
37	EC-1532-02	Lug, Ground	1

9.10.1 Electrical Components With 100 ft. Input Cord Option *(continued)*

**Parts List**  
All Fluid Types

Item	Part Number	Description	Qty
38	G-1180-105006	Screw, HH Self-Tapping, ¼ - 20 x 1 ¼ Long	Ref
39	EC-1572-05*12.0	Wire, Chassis Ground	1
40	EC-1600	Rail, Din	1
41	EC-1959	Anchor, IEC End	7
42	EC-1958	Block, IEC Ground	5
43	EC-1960-01	Barrier, End	3
45	EC-1596-01	Fuse Holder, Class J	3
46	EC-1557-01	Fuse, Class J	3
48	EC-1599	Rail, Din	1
49	EC-1804-03	Transformer, Control (150 W)	1
50	EC-1572-05*94.0	Wire, Power Ground	1
51	EC-1956-03	Block, IEC Terminal (Blue)	10
52	EC-1597	Rail, Din	1
53	S-2027	Panel, Inner	1
54	G-1202-1070	Stopnut, Elastic 3/8 – 16	6
57	G-1202-1055	Stopnut, Elastic ¼ - 28	1
58	G-1250-1050N	Flatwasher, ¼ Narrow	4
59	EC-1956-02	Block, IEC Terminal (Red)	28
60	EC-1591-04	Latch, Mechanical (Optional)	Ref
61	EC-1564	Relay, Control (Optional)	Ref
67	EC-1961-04	Jumper, Center	1
68	EC-1961-02	Jumper, Center	2
69	EC-1961-01	Jumper, Center	1
71	EC-1826	Guard, Finger Touchproof	1
72	EC-2655	Shaft, Operating	1
73	EC-2654	Handle, Operating	1
79	EC-2465	Overload, Motor	1
80	G-1439-1035-S	Nutsert	Ref
81	G-1157-103514	Screw, Pan Head, 10 – 32 x 1 ½ Long	Ref
82	EC-1572-01-48.0	Wire, Electrical 14 AWG Green/Yellow	2

**THE REMAINING PARTS ARE APPLICATION SPECIFIC**

9.10.1 Electrical Components With 100 ft. Input Cord Option *(continued)*

**Parts List**  
All Fluid Types

**THE FOLLOWING PARTS ARE APPLICATION SPECIFIC**

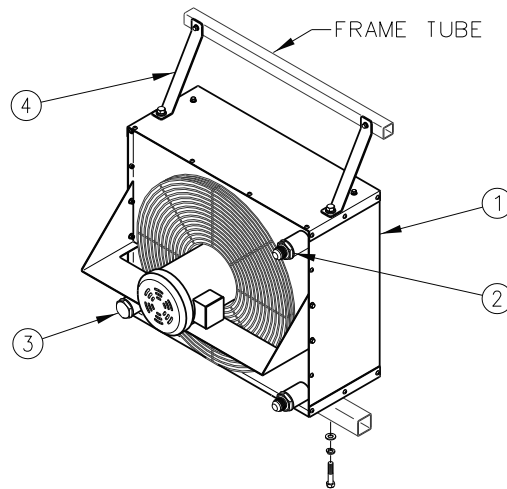
Be sure to locate the correct voltage and hertz of the unit before selecting the part

Item	60 Hz Applications			Description	Qty
	380 V	460 V	575V		
22	EC-1923	EC-1922	EC-1922	Contact, IEC Motor	1
28	EC-2670	EC-2670	EC-2653	Disconnect, Fused	1
32	EC-1556-07	EC-1556-06	EC-1556-04	Fuse, Class J	3
44	EC-1543-03	EC-1543-04	EC-1543-05	Monitor, Phase	Ref
47	EC-1726-08	EC-1726-07	EC-1726-07	Fuse, Class CC	2
74	G-1100-105510	G-1100-105510	G-1497102006	Hardware	4
76	EC-1911	EC-1911	N/A	Cover, Fuse	3
77	EC-2727-01	EC-2727-01	N/A	Lug, Terminal	2
78	EC-2143	EC-2143	N/A	Shield, Terminal	1

Item	50 Hz Applications			Description	Qty
	380 V	415 V	440V		
22	EC-1923	EC-1922	EC-1922	Contact, IEC Motor	1
28	EC-2670	EC-2670	EC-2670	Disconnect, Fused	1
32	EC-1556-07	EC-1556-07	EC-1556-06	Fuse, Class J	3
44	EC-1543-03	EC-1543-04	EC-1543-04	Monitor, Phase	Ref
47	EC-1726-08	EC-1726-08	EC-1726-08	Fuse, Class CC	2
74	G-1100-105510	G-1100-105510	G-1100-105510	Hardware	4
76	EC-1911	EC-1911	EC-1911	Cover, Fuse	3
77	EC-2727-01	EC-2727-01	EC-2727-01	Lug, Terminal	2
78	EC-2143	EC-2143	EC-2143	Shield, Terminal	1

## 9.11 HEAT EXCHANGER ASSEMBLY

The Heat Exchanger Assembly does not require regular general maintenance.



### Model 5711 & 5721 Parts List

Fluid Type: MIL-PRF-5606 & MIL-PRF-83282

Item	Part Number	Description	Qty
1	Reference Table below	Heat Exchanger	1
2	N-2007-27-S-B	Connector, #20 SAE x #16 JIC	1
3	N-2066-20-S-B	Plug, O-ring #20	1
4	J-3404-01	Strap	2

Voltage	Frequency	Part Number
380v	60 Hz	HC-2137-01
460v	60 Hz	HC-2137-01
575v	60 Hz	HC-2137-02
380v	50 Hz	HC-2137-01
415v	50 Hz	HC-2137-01
440v	50 Hz	HC-2137-01

### Model 5731 Parts List

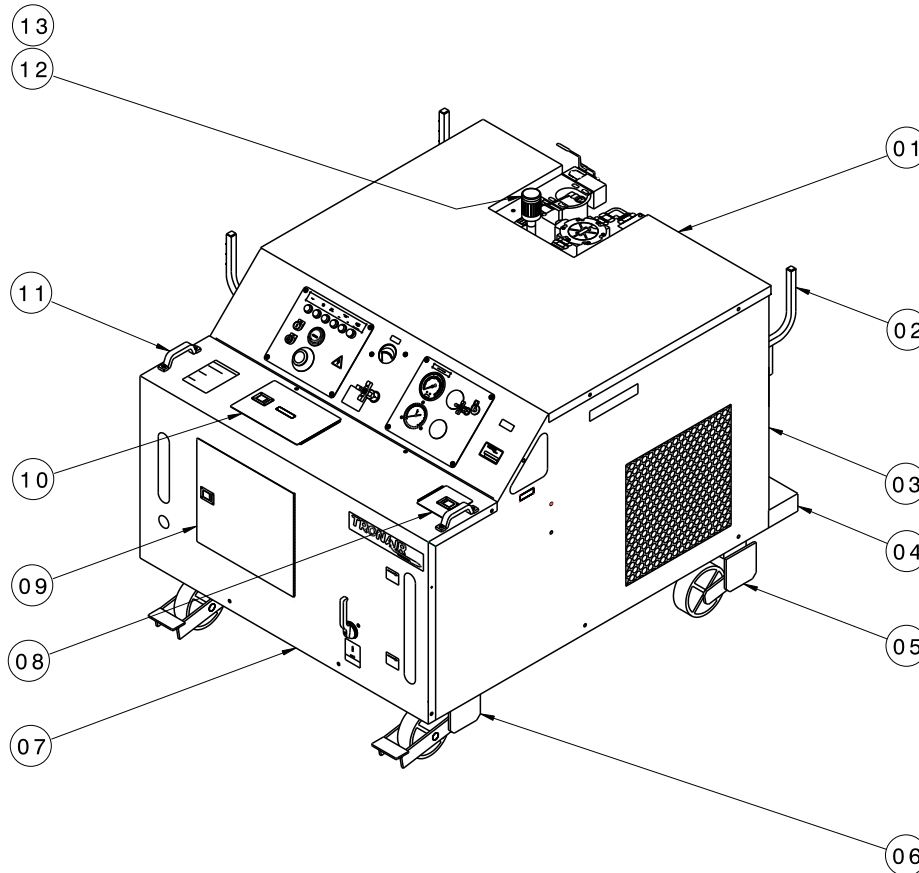
Fluid Type: Aviation Phosphate Ester, Type IV and V

Item	Part Number	Description	Qty
1	Reference Table below	Heat Exchanger	1
2	N-2007-27-S-E	Connector, #20 SAE x #16 JIC	1
3	N-2066-20-S-E	Plug, O-ring #20	1
4	J-3404-01	Strap	2

Voltage	Frequency	Part Number
380V	60 Hz	HC-2137-01
460V	60 Hz	HC-2137-01
575V	60 Hz	HC-2137-02
380V	50 Hz	HC-2137-01
415V	50 Hz	HC-2137-01
440V	50 Hz	HC-2137-01

## 9.12 EXTERNAL COMPONENTS

Keep HPU clean. Do not allow labels to become damaged; thusly illegible. Regularly inspect casters and floor locks to ensure safe working condition.

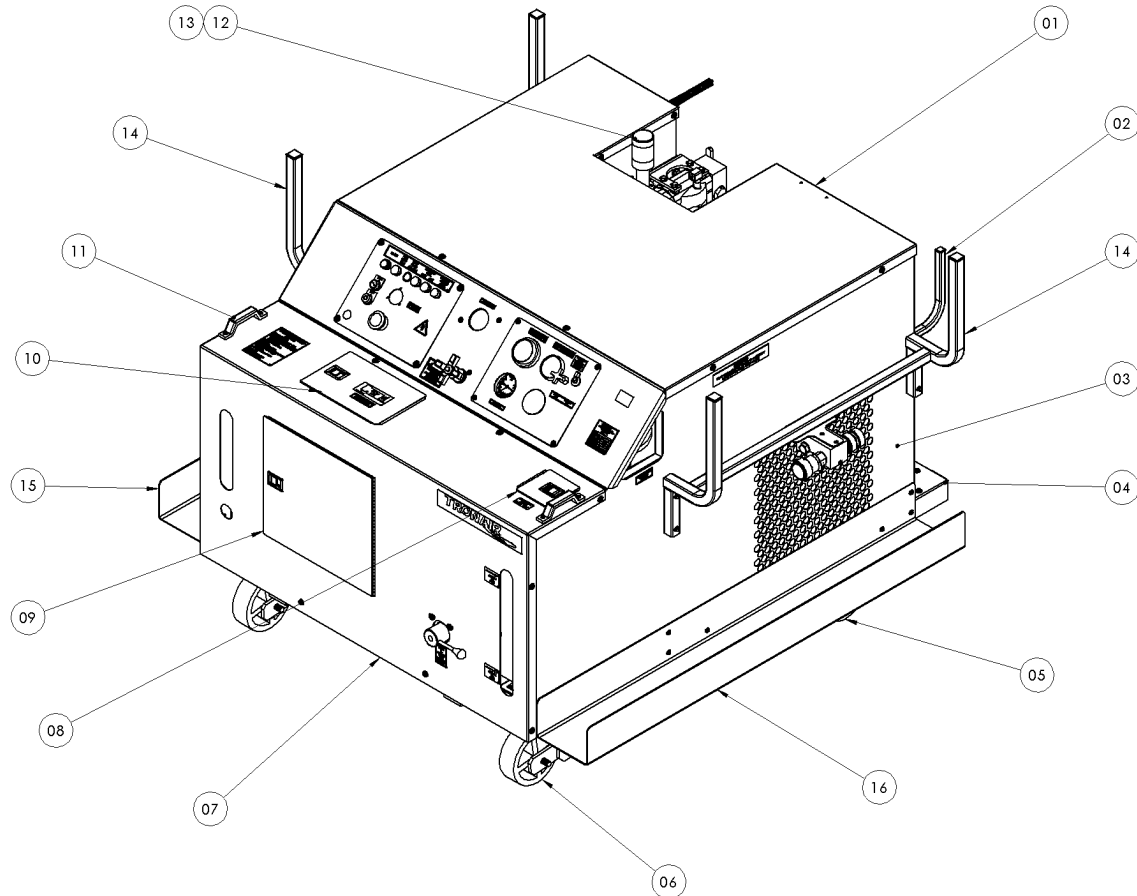


**Parts List - except 5731AELMU-A**  
All Fluid Types

Item	Part Number	Description	Qty
1	S-1763-00	Top Panel	1
2	Z-5549-00	Hanger	3
3	Z-5362-00	Right Side Panel	1
4	S-1782-00	Panel, End	1
5	U-1099	Rigid Caster	2
6	U-1100	Swivel Caster	2
7	Z-5408-00	Front Panel	1
8	Z-4781	Filler Door	1
9	Z-5576	Front Access Door	1
10	Z-4783	Pump Access Door	1
11	H-1780	Handle	2
12	EC-1794	Box, Vertical Mount Junction (Optional)	1
13	EC-1791	Light, Pole Mounted Stack (Optional)	1
N/S	Z-5367-00	Left Side Panel	1
N/S	Z-5165-00	Frame	1
N/S	S-1703-00	Electrical Box Cover	1

## 9.12 EXTERNAL COMPONENTS (continued)

Keep HPU clean. Do not allow labels to become damaged; thusly illegible. Regularly inspect casters and floor locks to ensure safe working condition.



**Parts List - 5731AELMU-A ONLY**

Item	Part Number	Description	Qty
1	S-1763-00	Top Panel	1
2	Z-5549-00	Hanger	3
3	Z-8259-00	Right Side Panel	1
4	S-1782-00	Panel, End	1
5	U-1099	Rigid Caster	2
6	U-1100	Swivel Caster	2
7	Z-5408-00	Front Panel	1
8	Z-4781	Filler Door	1
9	Z-5547	Front Access Panel	1
10	Z-4783	Pump Access Panel	1
11	H-1780	Handle	2
12	EC-1794	Box, Vertical Mount Junction (Optional)	1
13	EC-1791	Light, Pole Mounted Stack (Optional)	1
14	Z-8214-00	Weldment, Hose Hanger	2
15	J-5540-00	Tray, Hose	1
16	J-5543-00	Tray, Hose	1
N/S	Z-8258-00	Left Side Panel	1
N/S	Z-8253-00	Frame	1
N/S	S-1703-00	Electrical Box Cover	1

9.13 ADDITIONAL FEATURES

9.13.1 50 ft (15.2 m) Hoses (*Option B*)

Refer to Section **9.6 Hydraulic Hoses** concerning hose inspection.

**Model 5711 & 5721 Parts List**

Fluid Type: MIL-PRF-5606 & MIL-PRF-83282

Part Number	Description	Qty
TF-1038-28*300	Pressure Hose, 25 ft/7.6 m	2 per Option
TF-1039-12*300	Return Hose, 25 ft/7.6 m	2 per Option
N-2011-10-S	Union, #16	1 per Option
N-2011-12-S	Union, #12	1 per Option

**Model 5731 Parts List**

Fluid Type: Aviation Phosphate Ester, Type IV and V

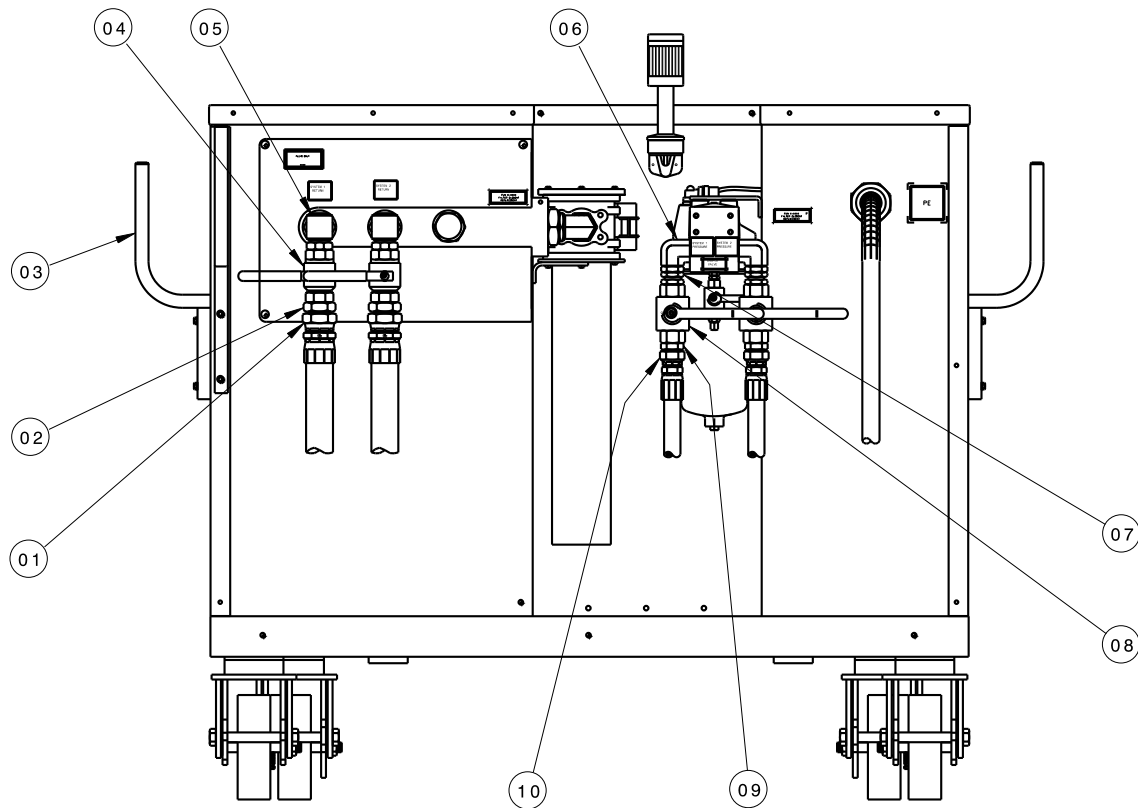
Part Number	Description	Qty
TF-1040-05*300	Pressure Hose, 25 ft/7.6 m	2 per Option
TF-1041-04*300	Return Hose, 25 ft/7.6 m	2 per Option
N-2011-10-S	Union, #16	1 per Option
N-2011-12-S	Union, #12	1 per Option



This page left blank intentionally.

### 9.13.2 Split System (Option C)

Refer to Section **9.6 Hydraulic Hoses** concerning hose inspection.



### Model 5711 & 5721 Parts List

Fluid Type: MIL-PRF-5606 & MIL-PRF-83282

Item	Part Number	Description	Qty
1	TF-1039-12*300	Assembly, Hose #24	1
2	N-2007-31-S-B	Connector, Straight Thread	1
3	Z-5549-01	Weldment, Hose Hanger	2
4	HC-2058-02	Valve, Ball	1
5	N-2666-08-S-B	Elbow, Straight Thread #24	1
6	N-2661-06-S-B	Elbow, Straight Thread	1
7	N-2464-10-S-B	Union, #16 Straight Thread	1
8	HC-1768-05	Valve, Ball	1
9	N-2007-24-S-B	Connector, Straight Thread	1
10	TF-1038-28*300	Assembly, Hose #16	1

## 9.13.2 Split System (Option C)

**Model 5731 Parts List**

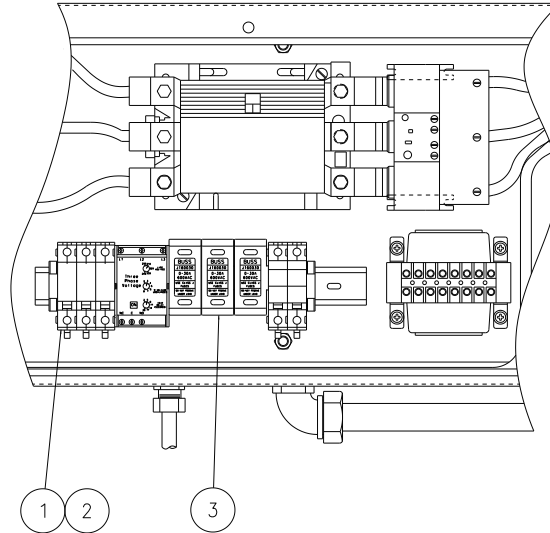
Fluid Type: Aviation Phosphate Ester, Type IV and V

Item	Part Number	Description	Qty
1	TF-1041-04*300	Assembly, Hose #24	1
2	N-2007-31-S-E	Connector, Straight Thread	1
3	Z-5549-01	Weldment, Hose Hanger	2
4	HC-2058-02	Valve, Ball	1
5	N-2666-08-S-E	Elbow, Straight Thread #24	1
6	N-2661-06-S-E	Elbow, Straight Thread	1
7	N-2464-10-S-E	Union, #16 Straight Thread	1
8	HC-1771-05	Valve, Ball	1
9	N-2007-24-S-E	Connector, Straight Thread	1
10	TF-1040-05*300	Assembly, Hose #16	1

### 9.13.3 Voltage/Phase Monitor (Options H – J)

The Voltage/Phase Monitor does not require regular general maintenance. The panel indicator light will illuminate if a tripped condition exists. If the Voltage/Phase Monitor is causing the HPU to shut off, verify the ♦Phase Monitor settings shown. Continued tripping may indicate a serious electrical problem. See Section 10.0 – **Provision of Spares** for recommended spare fuses.

**NOTE: Wire per Electrical Schematic INS-2016. Reference Wiring Diagram INS-1597. Reference Section 9.7.1 Electrical Panel for Panel Light.**



### Parts List All Fluid Types

Item	Part Number	Description	Qty
1	EC-1541-01	Fuse Holder, IEC Class CC	3
2	EC-1675-12	Fuse, KTK-R, 2 amp	3
♦ 3	See Table below	Phase Monitor	1

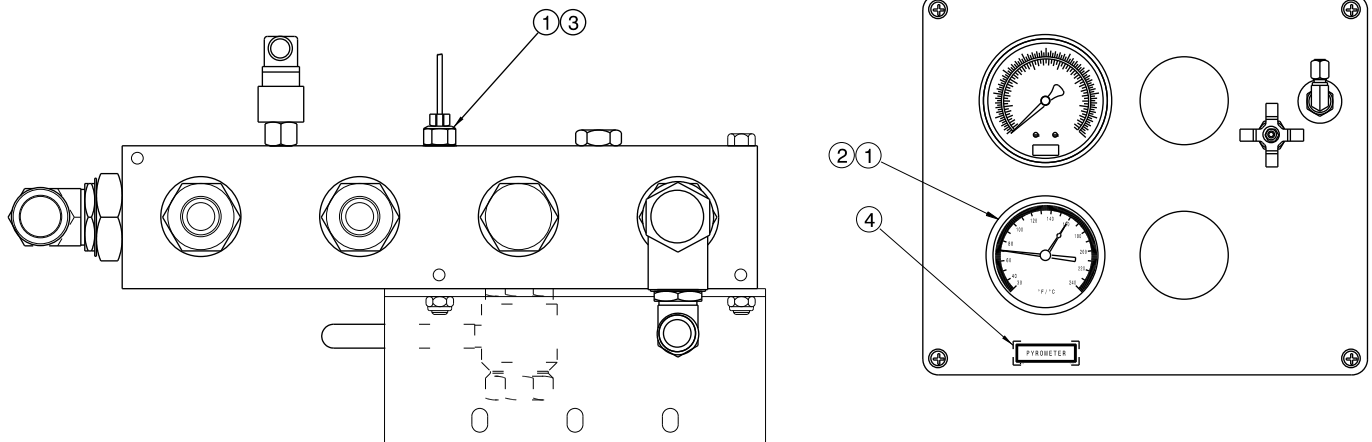
### Phase Monitor

Option	Voltage	Frequency	Part Number
H	380	50/60 Hz	EC-1543-03
I	415 – 460	50/60 Hz	EC-1543-04
J	575	60 Hz	EC-1543-05

- ♦ Setting Instructions for Item 3:
  1. Set **Line Voltage** to match the voltage rating of the Hydraulic Power Unit.
  2. Set **% Voltage Unbalanced** to 5% for 60 Hz unit or 6% for 50 Hz unit.
  3. Set **Trip Delay** to three (3) seconds.

9.13.4 Pyrometer (Option K)

Refer to Section 11.7 – Analog Temperature Gauge when calibration of the pyrometer is desired.



**Model 5711 & 5721 Parts List**  
Fluid Type: MIL-PRF-5606 & MIL-PRF-83282

Item	Part Number	Description	Qty
1	HC-2268-01	Gauge, Pyrometer	1
2	S-1158-01	Cover, Thermometer Opening	Ref
3	N-2053-08-S-B	Plug, Hex Head w/O-Ring	Ref
4	V-1886	Label, Pyrometer	1

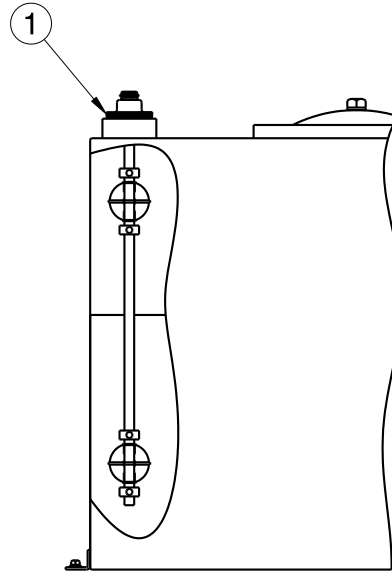
**Model 5731 Parts List**  
Fluid Type: Aviation Phosphate Ester, Type IV and V

Item	Part Number	Description	Qty
1	HC-2268-02	Gauge, Pyrometer	1
2	S-1158-01	Cover, Thermometer Opening	Ref
3	N-2053-08-S-E	Plug, Hex Head w/O-Ring	Ref
4	V-1886	Label, Pyrometer	1

### 9.13.5 Electric Reservoir Level (Option L)

The Electric Reservoir Level switch does not require regular general maintenance. Panel indicator lights will indicate low or high fluid level.

**NOTE:** Wire per Electrical Schematic INS-2016. Reference Wiring Diagram INS-1597. Reference 9.7.1 Electrical Panel for Panel Light.



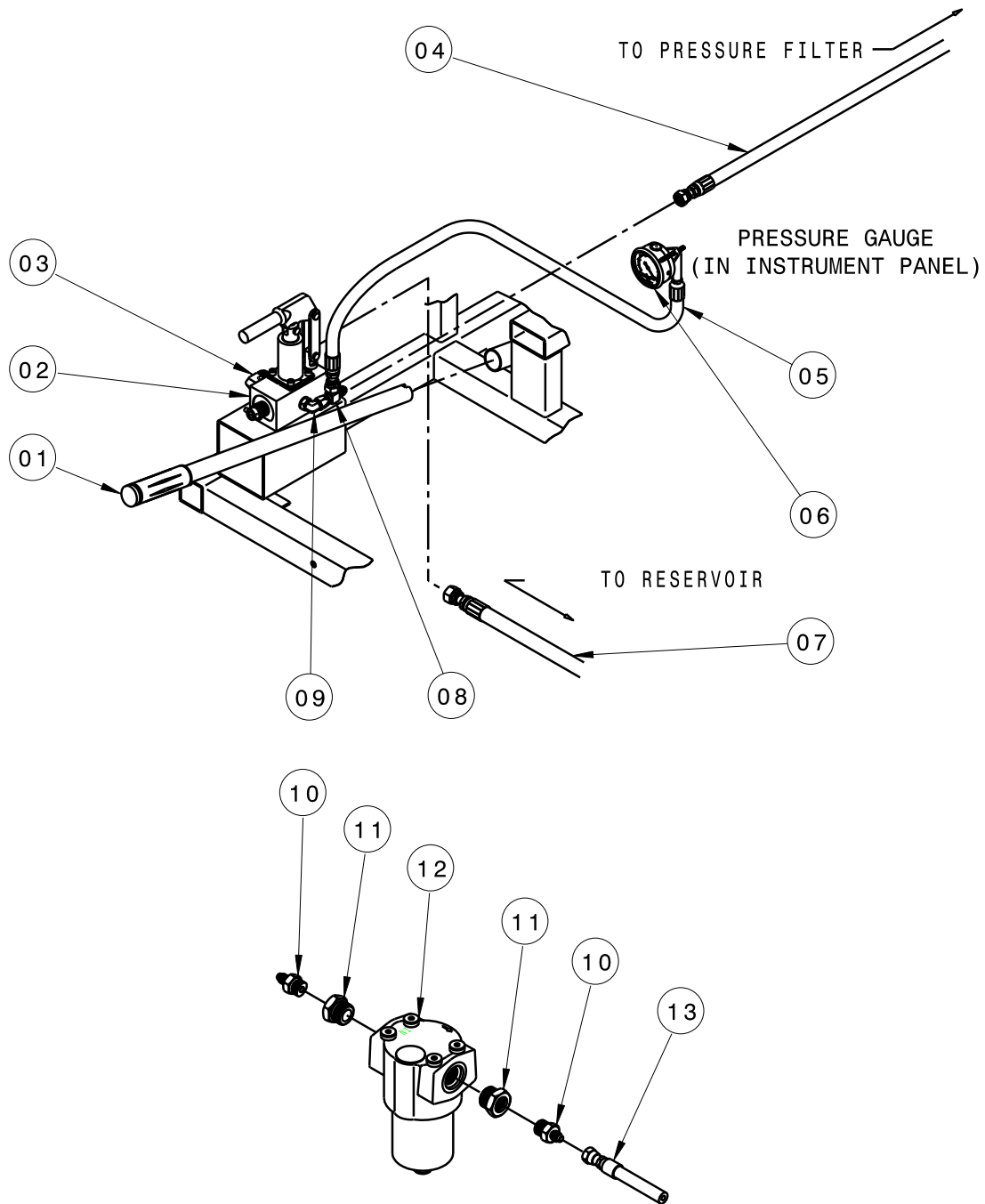
### Parts List All Fluid Types

Item	Part Number	Description	Qty
1	EC-1783	Multi-Level Switch (includes Plug-in Cable)	1

This page left blank intentionally.

### 9.13.6 Hand Pump (Option M)

Refer to Section **9.6 Hydraulic Hoses** concerning hose inspection for general maintenance on Items 4, 5, 7 and 13 hose assemblies. Refer to Section **9.5.3 – Hand Pump (Optional) Filter**.





9.13.6 Hand Pump (Option M)(continued)

**Model 5711 & 5721 Parts List**  
Fluid Type: MIL-PRF-5606 & MIL-PRF-83282

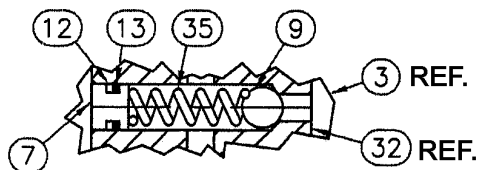
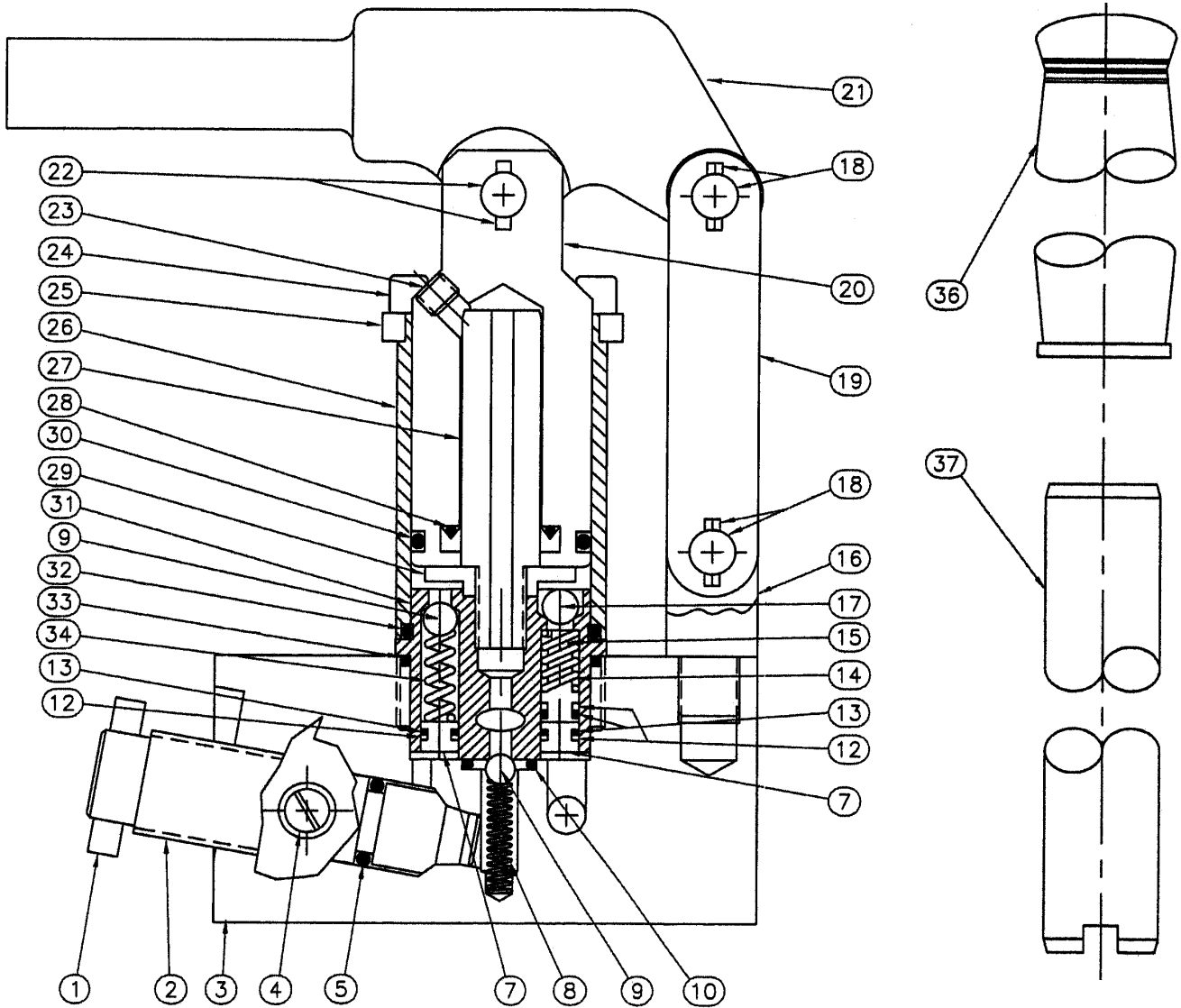
Item	Part Number	Description	Qty
1	H-1009-01	Pump Handle	1
2	HC-1778	Hand Pump, Two Stage	1
3	N-2001-11-S-B	Elbow, #8 SAE x #8 JIC Flare	1
4	TF-1038-15*56.5	Hose Assembly, #4	1
5	TF-1038-15*56.5	Hose Assembly, #4	1
6	HC-2146	Pressure Gauge	1
7	TF-1037-21*38.0	Hose Assembly, #8	1
8	N-2016-05-S	Tee, Swivel Nut, #6	1
9	N-2001-08-S-B	Elbow, #6 SAE x #6 JIC Flare	1
10	N-2007-06-S-B	Fitting, Male Connector	1
11	N-2463-10-S-B	Reducer Fitting	2
12	HC-1776	Pressure Filter	1
13	TF-1038-14*180	Hose Assembly, #4	1

**Model 5731 Parts List**

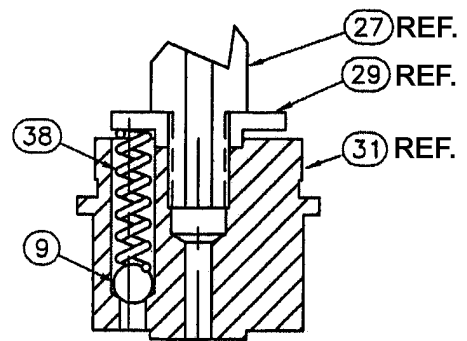
Fluid Type: Aviation Phosphate Ester, Type IV and V

Item	Part Number	Description	Qty
1	H-1009-01	Pump Handle	1
2	HC-1779	Hand Pump, Two Stage	1
3	N-2001-11-S-E	Elbow, #8 SAE x #8 JIC Flare	1
4	TF-1040-15*56.5	Hose Assembly, #4	1
5	TF-1040-15*56.5	Hose Assembly, #4	1
6	HC-2146	Pressure Gauge	1
7	TF-1041-25*38.0	Hose Assembly, #8	1
8	N-2016-05-S	Tee, Swivel Nut, #6	1
9	N-2001-08-S-E	Elbow, #6 SAE x #6 JIC Flare	1
10	N-2007-06-S-E	Fitting, Male Connector	1
11	N-2463-10-S-E	Reducer Fitting	2
12	HC-1777	Pressure Filter	1
13	TF-1041-05*180	Hose Assembly, #4	1

9.13.6.a Two Stage Pump with Relief



**HIGH PRESSURE INLET  
CHECK CAVITY VIEW**



**LOW PRESSURE INLET  
CHECK CAVITY VIEW**

9.13.6.a Two Stage Pump with Relief (continued)

**Model 5711 & 5721 Parts List**  
Fluid Type: MIL-PRF-5606 & MIL-PRF-83282

Item	Part Number	Description	Qty
1	519-000	Pin	1
3	CXC-990022-001	Body	1
7	505-001	Plug, Valve Body	3
15	571-121	Piston, Bypass Assembly	1
16	508-000	Pivot	1
20	566-125	Piston L.P	1
23	583-120	Plug	1
24	09-ADDF-04-20 X 56	Tie Rod	4
25	582-125	Flange	1
26	563-121	Tube	1
27	562-125	H.P. Piston	1
29	564-120	Retainer	1
31	560-120	Valve Body	1
36	H-1223	Grip, Handle	1
37	H-1009-01	Handle with Grip	1
	<b>HK-1095</b>	<b>Kit, Internal Parts; consists of:</b>	
6	(Not Shown)	Ball, Release	0
8		Spring, Outlet Check	1
9		Ball, Check	4
14		Spring, Bypass	1
17		Ball, Bypass	1
34		Spring, L.P. Outlet	1
35		Spring, H.P. Outlet	1
38		Spring, Intake L.P	1
	<b>HK-0129</b>	<b>Kit, Pump Seal; consists of:</b>	
5		O-ring, BUNA	1
10		O-ring, BUNA	1
12		Backup Ring (Teflon)	4
13		O-ring, BUNA	4
28		H.P. Piston Seal	1
30		O-ring, BUNA	1
32		O-ring, BUNA	1
33		O-ring, BUNA	1
	<b>HK-1068</b>	<b>Kit, Pump Linkage; consists of:</b>	
18		Pin Linkage Assembly	2
19		Strap	2
21		Handle Bracket	1
22		Clevis Pin Assembly	1
	<b>HK-3118</b>	<b>Kit, Release Screw; consists of:</b>	
2		Screw, Release/Relief	1
4		Retainer, Release Screw	1

9.13.6.a Two Stage Pump with Relief (continued)

**Model 5731 Parts List**

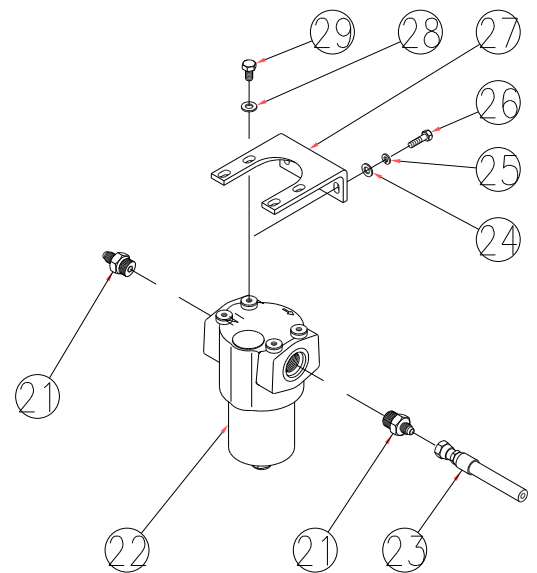
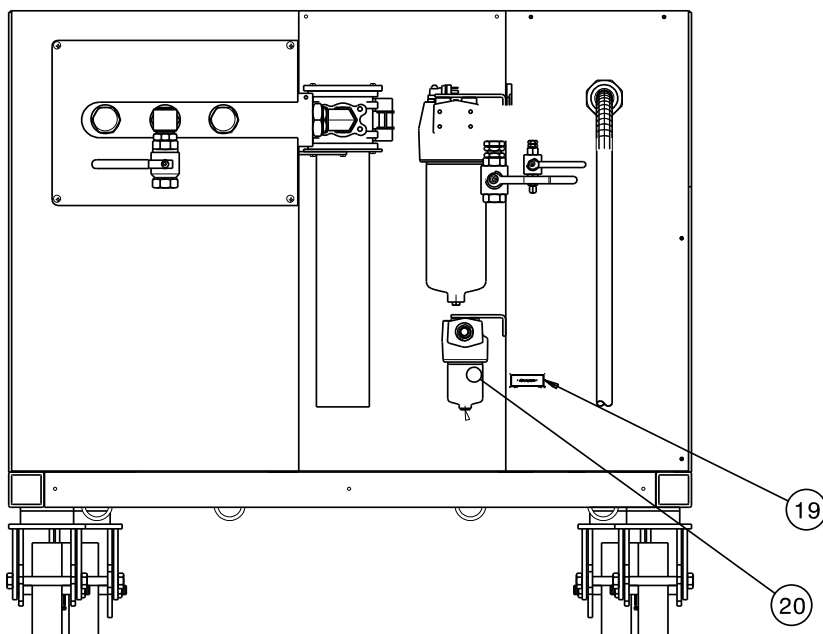
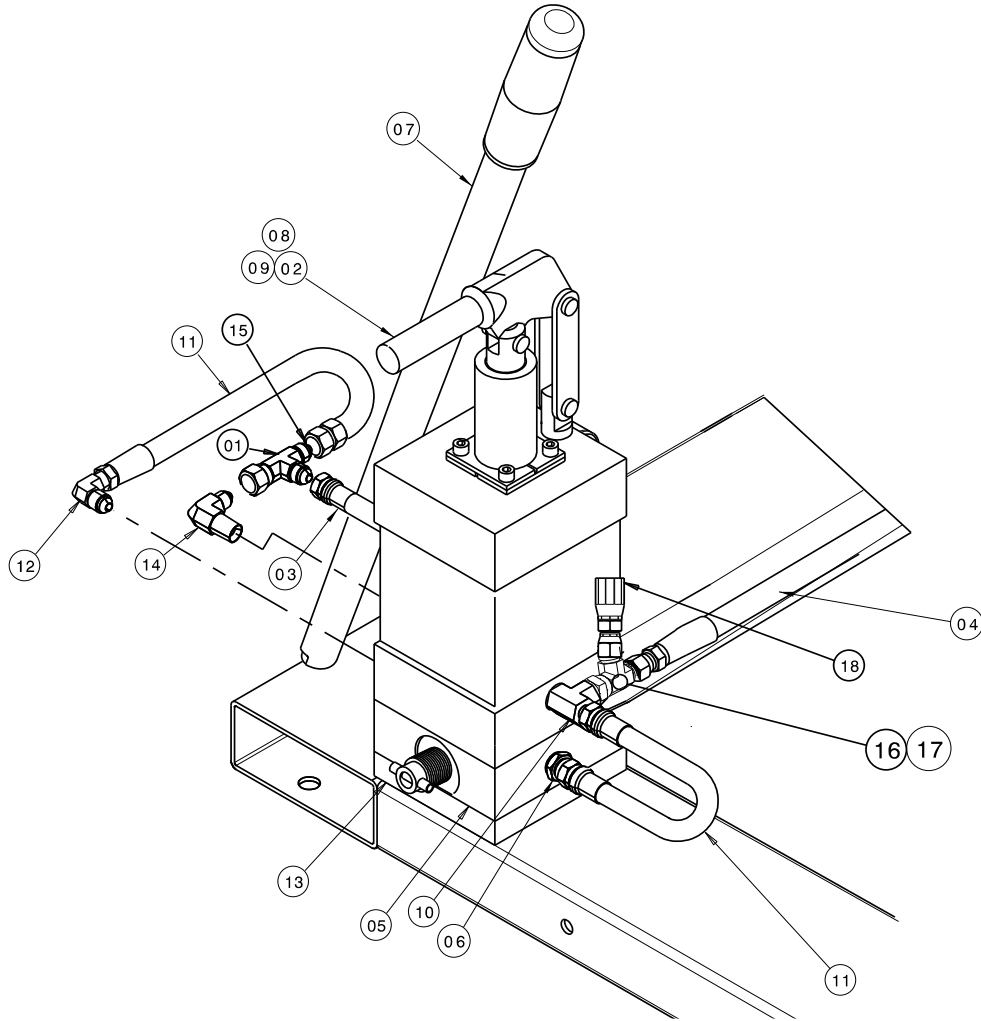
Fluid Type: Aviation Phosphate Ester, Type IV and V

Item	Part Number	Description	Qty
1	519-000	Pin	1
3	CXC-990022-001	Body	1
7	505-001	Plug, Valve Body	3
15	571-121	Piston, Bypass Assembly	1
16	508-000	Pivot	1
20	566-125	Piston L.P	1
23	583-120	Plug	1
24	09-ADDF-04-20 X 56	Tie Rod	4
25	582-125	Flange	1
26	563-121	Tube	1
27	562-125	H.P. Piston	1
29	564-120	Retainer	1
31	560-120	Valve Body	1
36	H-1223	Grip, Handle	1
37	H-1009-01	Handle with Grip	1
	<b>HK-1095</b>	<b>Kit, Internal Parts; consists of:</b>	
6	(Not Shown)	Ball, Release	0
8		Spring, Outlet Check	1
9		Ball, Check	4
14		Spring, Bypass	1
17		Ball, Bypass	1
34		Spring, L.P. Outlet	1
35		Spring, H.P. Outlet	1
38		Spring, Intake L.P	1
	<b>HK-1030</b>	<b>Kit, Pump Seal; consists of:</b>	
5		O-ring, EPR	1
10		O-ring, EPR	1
12		Backup Ring (Teflon)	4
13		O-ring, EPR	4
28		H.P. Piston Seal	1
30		O-ring, EPR	1
32		O-ring, EPR	1
33		O-ring, EPR	1
	<b>HK-1068</b>	<b>Kit, Pump Linkage; consists of:</b>	
18		Pin Linkage Assembly	2
19		Strap	2
21		Handle Bracket	1
22		Clevis Pin Assembly	1
	<b>HK-3117</b>	<b>Kit, Release Screw; consists of:</b>	
2		Screw, Release/Relief	1
4		Retainer, Release Screw	1

This page left blank intentionally.

## 9.13.7 Hand Pump High Displacement (Option 7)

Refer to Section **9.6 Hydraulic Hoses** concerning hose inspection for general maintenance on Items 3, 4, 11, 18 and 23 hose assemblies. Refer to Section **9.5.3 – Hand Pump (Optional) Filter**.



9.13.7 Hand Pump High Displacement (Option 7) (continued)

**Model 5711 & 5721 Parts List**  
Fluid Type: MIL-PRF-5606 & MIL-PRF-83282

Item	Part Number	Description	Qty
1	N-2016-06-S	TEE	1
2	HC-2533	PUMP, HYDRAULIC	1
3	TF-1038-21-26	ASSEMBLY, HOSE #8	1
4	TF-1038-18-56.5	ASSEMBLY, HOSE #6	1
5	HC-2532	BASE, PUMP	1
6	N-2007-08-S-B	CONNECTOR, MALE #6	1
7	H-1009-01	HANDLE, PUMP	1
8	G-1100-106544	BOLT, 5/16-24 X 4-1/2 LG	4
9	G-1251-1060R	LOCKWASHER, 5/16 REGULAR	4
10	N-2017-10-S	TEE, MALE #6	1
11	TF-1134-01-15.0	ASSEMBLY, HOSE	2
12	N-2001-08-S-B	ELBOW, STR THD #6	1
13	HC-2534	SPACER, BLOCK	1
14	N-2005-14-S	ELBOW, CONNECTOR	1
15	N-2055-04	REDUCER, #8 - #6	1
16	N-2016-05-S	TEE, RUN SWIVEL NUT #16 JIC	1
17	N-2055-01-S	REDUCER, #6 - #4 (NOT SHOWN)	1
18	TF-1038-16-56.5	ASSEMBLY, HOSE #4	1
19	V-1989	LABEL, FILTER REPLACEMENT	1
20	Z-9108-01	ASSEMBLY, PRESSURE FILTER	1
21	N-2007-46-S-B	CONNECTOR, MALE #12 SAE x #6 JIC	2
22	HC-1776	FILTER, PRESSURE	1
23	TF-1038-04*300	ASSEMBLY, HOSE #6	1
24	G-1250-1050N	FLATWASHER, 1/4 NARROW	2
25	G-1251-1050R	LOCKWASHER, 1/4 REGULAR	2
26	G-1100-105010	BOLT, 1/4-20 x 1" LG	2
27	Z-5093-01	BRACKET, FILTER	1
28	G-1250-1060N	FLATWASHER, 5/16 NARROW	4
29	G-1114-080016	BOLT, M8 x 16 LONG	4

9.13.7 Hand Pump High Displacement (Option 7) (continued)

**Model 5731 Parts List**

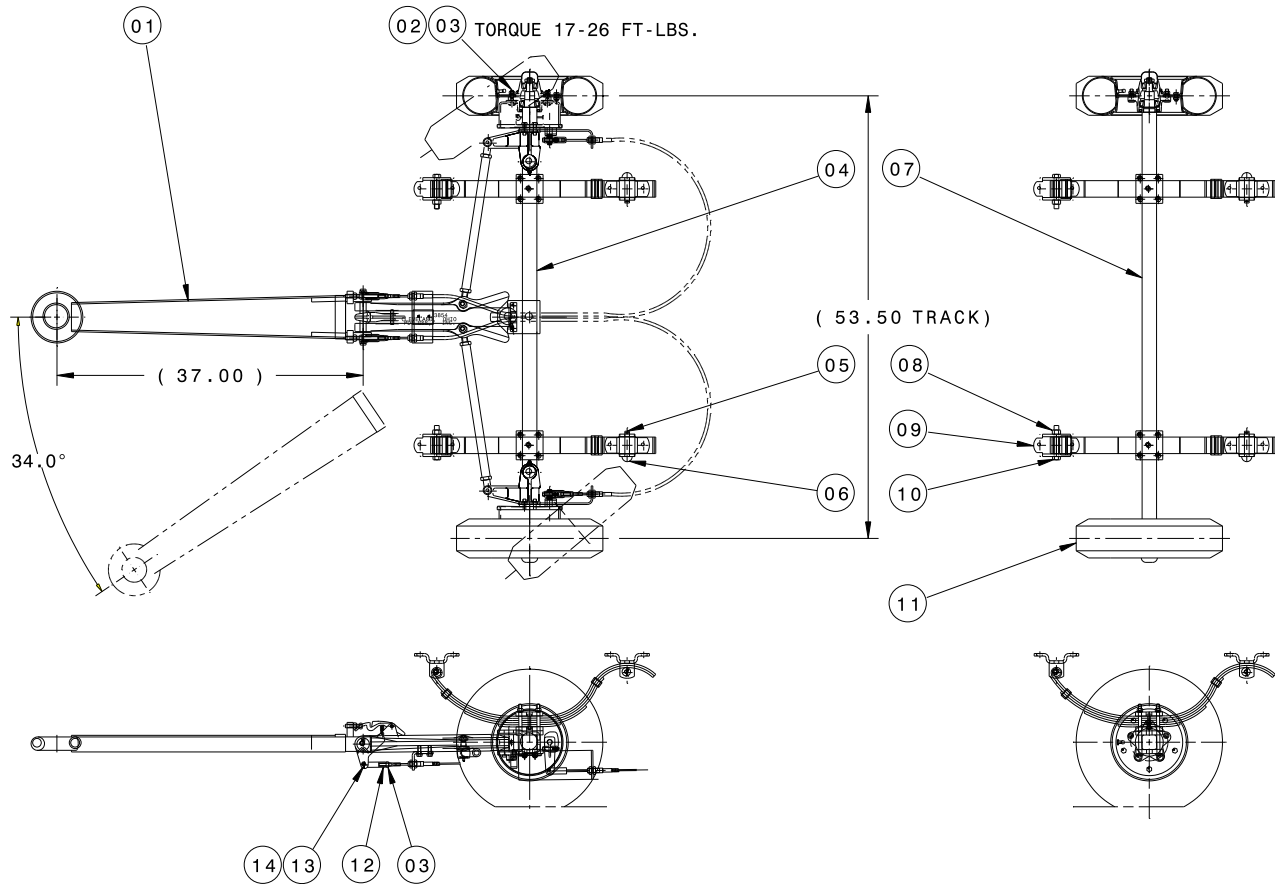
Fluid Type: Aviation Phosphate Ester, Type IV and V

Item	Part Number	Description	Qty
1	N-2016-06-S	TEE	1
2	HC-2724	PUMP, HYDRAULIC	1
3	TF-1041-09-26	ASSEMBLY, HOSE #8	1
4	TF-1041-66-56.5	ASSEMBLY, HOSE #6	1
5	HC-2725	BASE, PUMP	1
6	N-2007-08-S-E	CONNECTOR, MALE #6	1
7	H-1009-01	HANDLE, PUMP	1
8	G-1100-106544	BOLT, 5/16-24 X 4-1/2 LG	4
9	G-1251-1060R	LOCKWASHER, 5/16 REGULAR	4
10	N-2017-10-S	TEE, MALE #6	1
11	TF-1041-02-15	ASSEMBLY, HOSE	2
12	N-2001-08-S-E	ELBOW, STR THD #6	1
13	HC-2534	SPACER, BLOCK	1
14	N-2005-14-S	ELBOW, CONNECTOR	1
15	N-2055-04	REDUCER, #8 - #6	1
16	N-2016-05-S	TEE, RUN SWIVEL NUT #16 JIC	1
17	N-2055-01-S	REDUCER, #6 - #4 (NOT SHOWN)	1
18	TF-1041-49-56.5	ASSEMBLY, HOSE #4	1
19	V-1989	LABEL, FILTER REPLACEMENT	1
20	Z-9108-02	ASSEMBLY, PRESSURE FILTER	1
21	N-2007-46-S-E	CONNECTOR, MALE #12 SAE x #6 JIC	2
22	HC-1777	FILTER, PRESSURE	1
23	TF-1041-02*300	ASSEMBLY, HOSE #6	1
24	G-1250-1050N	FLATWASHER, 1/4 NARROW	2
25	G-1251-1050R	LOCKWASHER, 1/4 REGULAR	2
26	G-1100-105010	BOLT, 1/4-20 x 1" LG	2
27	Z-5093-01	BRACKET, FILTER	1
28	G-1250-1060N	FLATWASHER, 5/16 NARROW	4
29	G-1114-080016	BOLT, M8 x 16 LONG	4



### 9.13.8 Towing Trailer (Option M)

Capacity ..... 4,000 lbs (1,814 kg)  
 Front Axle Capacity ..... 2,000 lbs (907 kg)  
 Rear Axle Capacity ..... 2,000 lbs (907 kg)  
 Tires ..... 4.80-8NHS x 6 Ply Rated at 970 lbs (440 kg) (105 psi at 10 mph/7.24 bar at 16 kph)



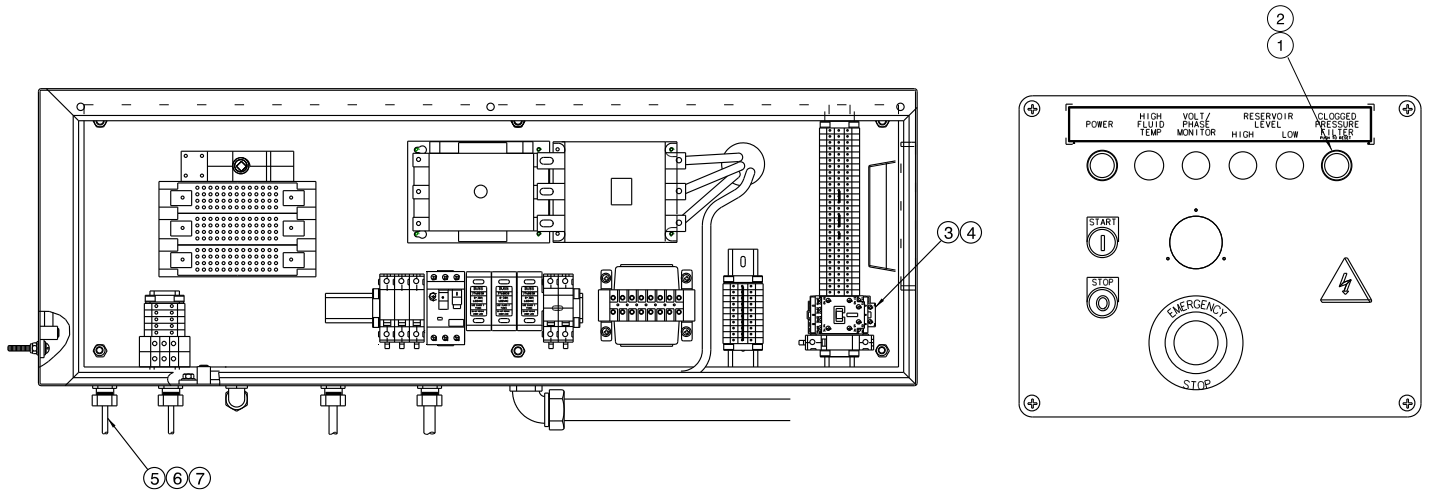
### Parts List All Fluid Types

Item	Part Number	Description	Qty
1	59-3502	Assembly, Drawbar	1
2	4700-4	Lockwasher (3/8)	20
3	4601-47	Nut, Hex Head (3/8-24)	22
4	6-1395	Assembly, Front Axle	1
5	4800-3	Pin, Cotter	4
6	5403-1	Rivet	4
7	8-1345	Assembly, Rear Axle	1
8	4601-33	Nut, Self-Locking (9/16-12)	4
9	4251	Bracket, Spring	8
10	4901-19	Bolt (9/16-12 x 3¾")	4
11	5-3705	Wheel and Tire Assembly	4
12	5205	Yoke	2
13	5206	Pin, Yoke	2
14	4800-2	Pin, Cotter (3/32 x ¾")	2

### 9.13.9 Electric Filter Clogging Indicator (Option R)

The Electric Filter Clogging Indicator does not require regular general maintenance. The panel light will illuminate when the clogging indicator senses a 50 psi differential pressure across the filter element. Installing a new filter element will eliminate the clogged condition. Pushing the illuminated button will reset the indicator light.

- NOTES:**
- 1) Higher flow rates will result in higher differential pressures. (Example: The clogging indicator may sense a 50 psi differential pressure at a flow rate of 10 gpm but not show a clogged condition when the flow rate is reduced to 5 gpm.)
  - 2) Wire per Electrical Schematic INS-2016. Reference Wiring Diagram INS-1597. Reference 9.7.1 Electrical Panel for Panel Light.



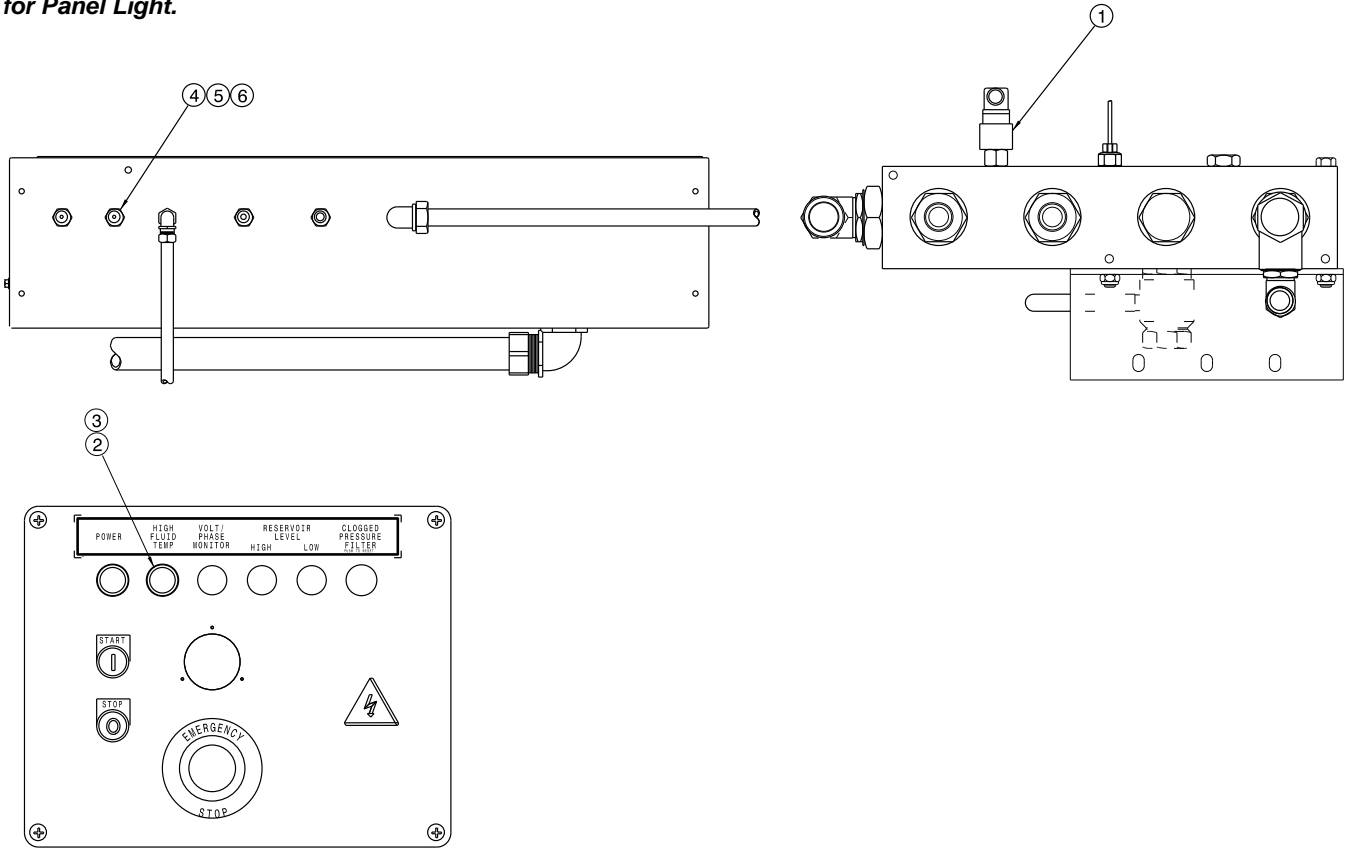
### Parts List All Fluid Types

Item	Part Number	Description	Qty
1	EC-1952	Indicator, IEC Push-To-Reset (Amber)	1
2	EC-1944	Block, IEC Push-To-Reset (Amber)	1
3	EC-1591-04	Latch, Mechanical	1
4	EC-1584	Relay, Control	1
1	EC-2198	Cable, DIN Connector	1
2	EC-1175-06-A	Connector, Power Cable	1
3	EC-1178-02	Locknut, Conduit	1

### 9.13.10 Electric Over-Temperature (Option S)

The Electric Over-Temperature switch does not require regular general maintenance. However, automatic shut down due to high fluid temperature is an indication that maintenance or training may be needed elsewhere.

**NOTE: Wire per Electrical Schematic INS-2016. Reference Wiring Diagram INS-1597. Reference 9.7.1 Electrical Panel for Panel Light.**



### Model 5711 & 5721 Parts List

Fluid Type: MIL-PRF-5606 & MIL-PRF-83282

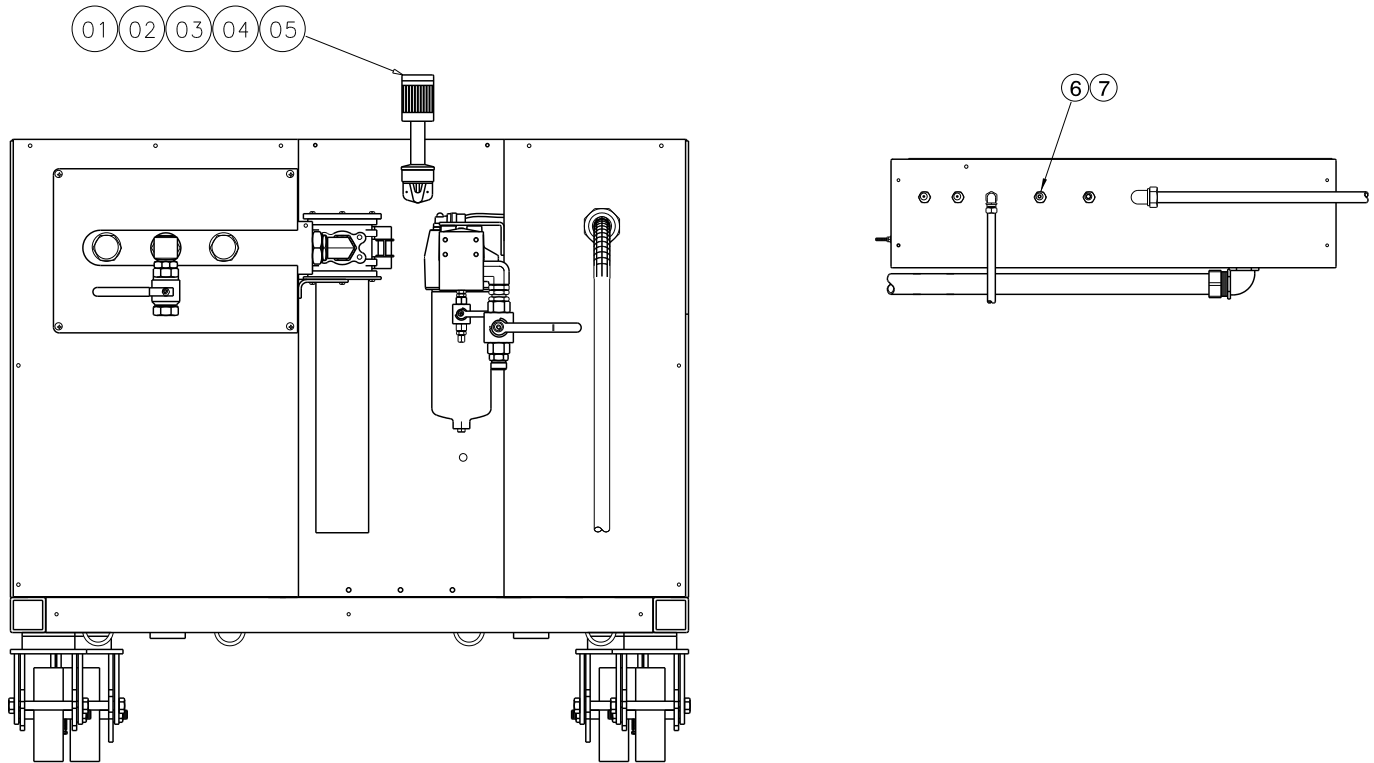
Item	Part Number	Description	Qty
1	EC-1782-01	Switch, Temperature	1
2	EC-1945-03	Indicator, IEC Pilot Light (Amber)	1
3	EC-1951-MN5W	Block, IEC Pilot Light (White)	1
4	EC-1175-06-A	Connector, Power Cable	1
5	EC-2198	Cable, Din Connector	1
6	EC-1176-02	Locknut, Conduit	1

### Model 5731 Parts List

Fluid Type: Aviation Phosphate Ester, Type IV and V

Item	Part Number	Description	Qty
1	EC-1782-02	Switch, Temperature	1
2	EC-1945-03	Indicator, IEC Pilot Light (Amber)	1
3	EC-1951-MN5W	Block, IEC Pilot Light (White)	1
4	EC-1175-06-A	Connector, Power Cable	1
5	EC-2198	Cable, Din Connector	1
6	EC-1176-02	Locknut, Conduit	1

## 9.13.11 Stack Light (Option SL)

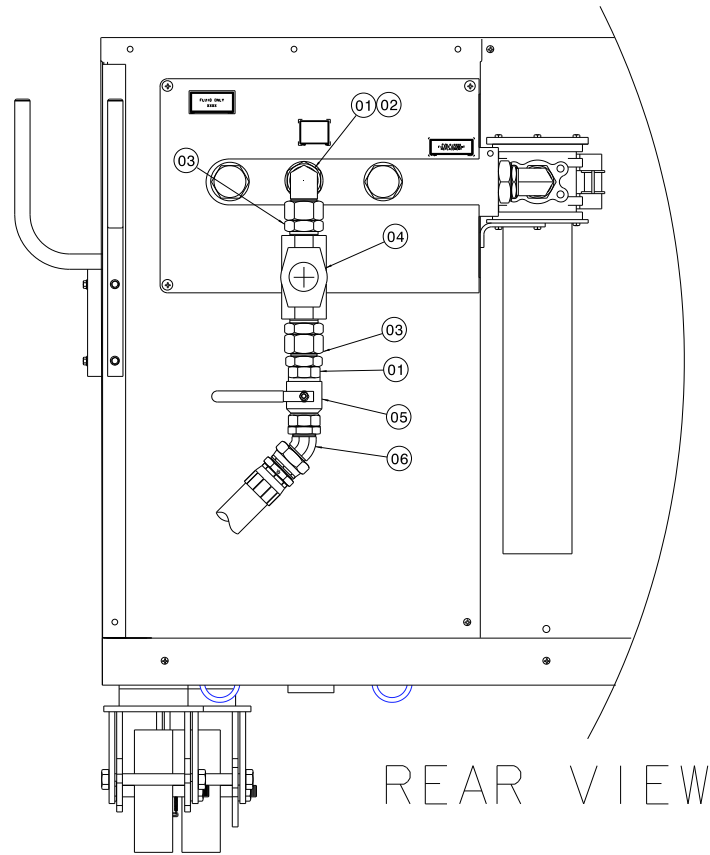


### Parts List All Fluid Types

Item	Part Number	Description	Qty
1	Z-5664	Assembly, Vertical Stack Light	1
2	H-1901-20	Grommet, 1/2"	1
3	G-1159-103506	Screw, Round head CRS REC, 10 – 32	2
4	G-1250-1030N	Flatwasher, 10 Narrow	2
5	EC-1170-06*96.0	Cable, Electrical	1
6	EC-1178-02	Locknut, Conduit	1
7	EC-1175-06-A	Connector, Power Cable	1

9.13.12 Return Sight Gauge (*Option U*)

Refer to Section **10.6 Hydraulic Hoses** concerning hose inspection. Annual calibration of instrumentation is recommended.



**Model 5711 & 5721 Parts List**

**Fluid Type: MIL-PRF-5606 & MIL-PRF-83282**

Item	Part Number	Description	Qty
1	N-2007-31-S-B	Connector, Straight Thread	2
2	N-2002-12-S	Elbow, Swivel Nut	1
3	N-2030-15-S	Swivel, Female, 24 x 1 ½ NPT	2
4	HC-2232-01	Sightgauge, Flow 1 ½	1
5	HC-2058-02	Valve, Ball	Ref
6	N-2042-14-S-B	Elbow, 45° Straight Thread	1

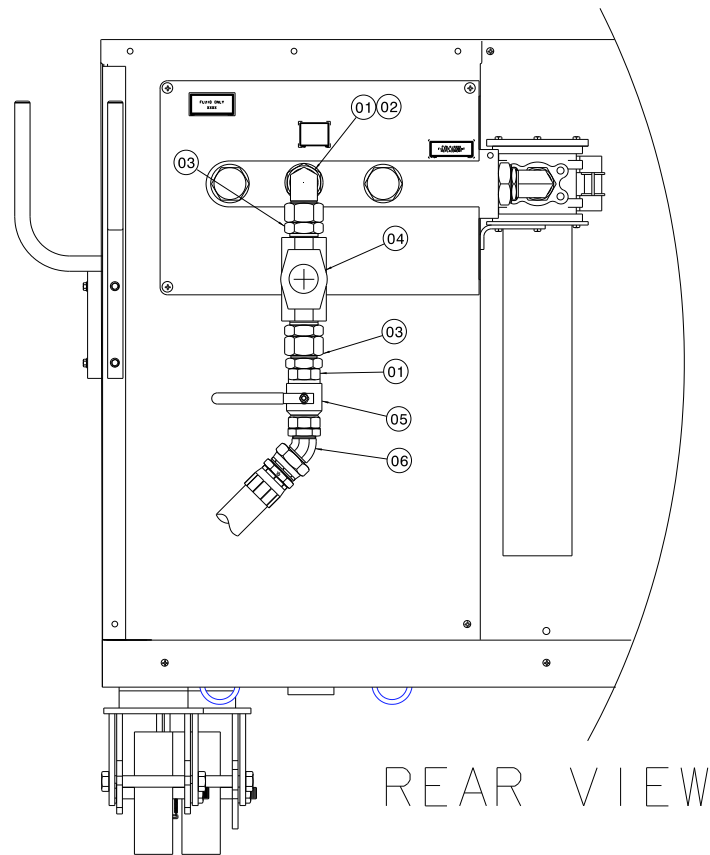
**Model 5731 Parts List**

**Fluid Type: Aviation Phosphate Ester, Type IV and V**

Item	Part Number	Description	Qty
1	N-2007-31-S-E	Connector, Straight Thread	2
2	N-2002-12-S	Elbow, Swivel Nut	1
3	N-2030-15-S	Swivel, Female, 24 x 1 ½ NPT	2
4	HC-2235	Sightgauge, Flow 1 ½	1
5	HC-2058-02	Valve, Ball	Ref
6	N-2042-14-S-E	Elbow, 45° Straight Thread	1

9.13.13 Split System Return Sight Gauge (Option Y)

Refer to Section **10.6 Hydraulic Hoses** concerning hose inspection. Annual calibration of instrumentation is recommended.



**Model 5711 & 5721 Parts List**

**Fluid Type: MIL-PRF-5606 & MIL-PRF-83282**

Item	Part Number	Description	Qty
1	N-2007-31-S-B	Connector, Straight Thread	4
2	N-2002-12-S	Elbow, Swivel Nut	2
3	N-2030-15-S	Swivel, Female, 24 x 1 ½ NPT	4
4	HC-2232-01	Sightgauge, Flow 1 ½	2
5	HC-2058-02	Valve, Ball	Ref
6	N-2042-14-S-B	Elbow, 45° Straight Thread	2

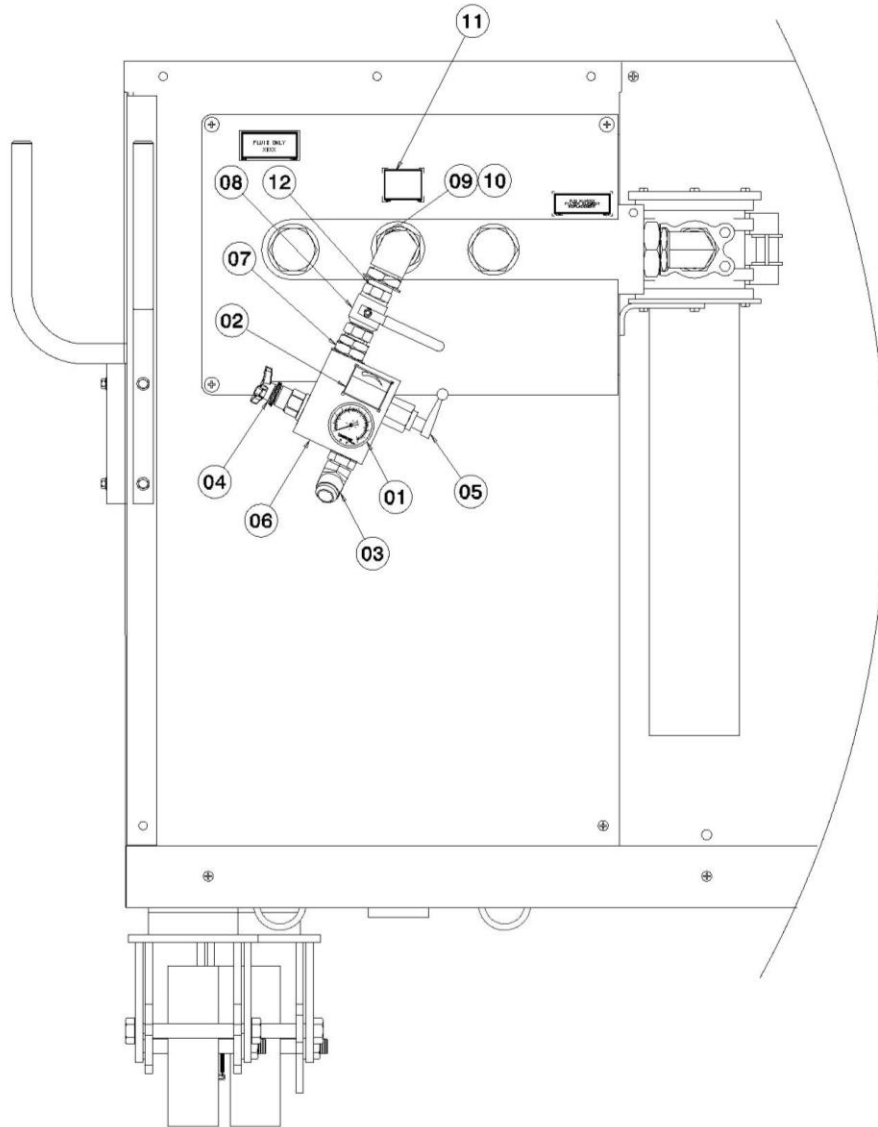
**Model 5731 Parts List**

**Fluid Type: Aviation Phosphate Ester, Type IV and V**

Item	Part Number	Description	Qty
1	N-2007-31-S-E	Connector, Straight Thread	4
2	N-2002-12-S	Elbow, Swivel Nut	2
3	N-2030-15-S	Swivel, Female, 24 x 1 ½ NPT	4
4	HC-2235	Sightgauge, Flow 1 ½	2
5	HC-2058-02	Valve, Ball	Ref
6	N-2042-14-S-E	Elbow, 45° Straight Thread	2

This page is left blank intentionally.

9.13.14 Return Backpressure (Option V)



**Model 5611 & 5621 Parts List**  
Fluid Type: MIL-PRF-5606 & MIL-PRF-83282

Item	Part Number	Description	Qty
1	HC-2260	GAUGE, PRESSURE 0-300 PSI	1
2	V-2062	LABEL, BACK PRESSURE VALVE	1
3	N-2042-14-S-B	ELBOW, 45 DEG STR THD	1
4	HC-2663	VALVE, BACKPRESSURE	1
5	HC-1433	VALVE, BYPASS	1
6	HC-2662	MANIFOLD, BACKPRESSURE	1
7	N-2464-12-S-B	UNION, STR THD	1
8	HC-2058-02	VALVE, BALL	REF
9	N-2002-12-S	ELBOW, 90 DEG SWIVEL	1
10	N-2007-31-S-B	CONNECTOR, STR THD	1
11	V-2061	LABEL, BACKPRESSURE BYPASS VALVE	1
12	N-2036-13-S-B	SWIVEL, 37 DEG FEMALE	1
13	S-3472-00	BRACKET, MANIFOLD (NOT SHOWN)	1



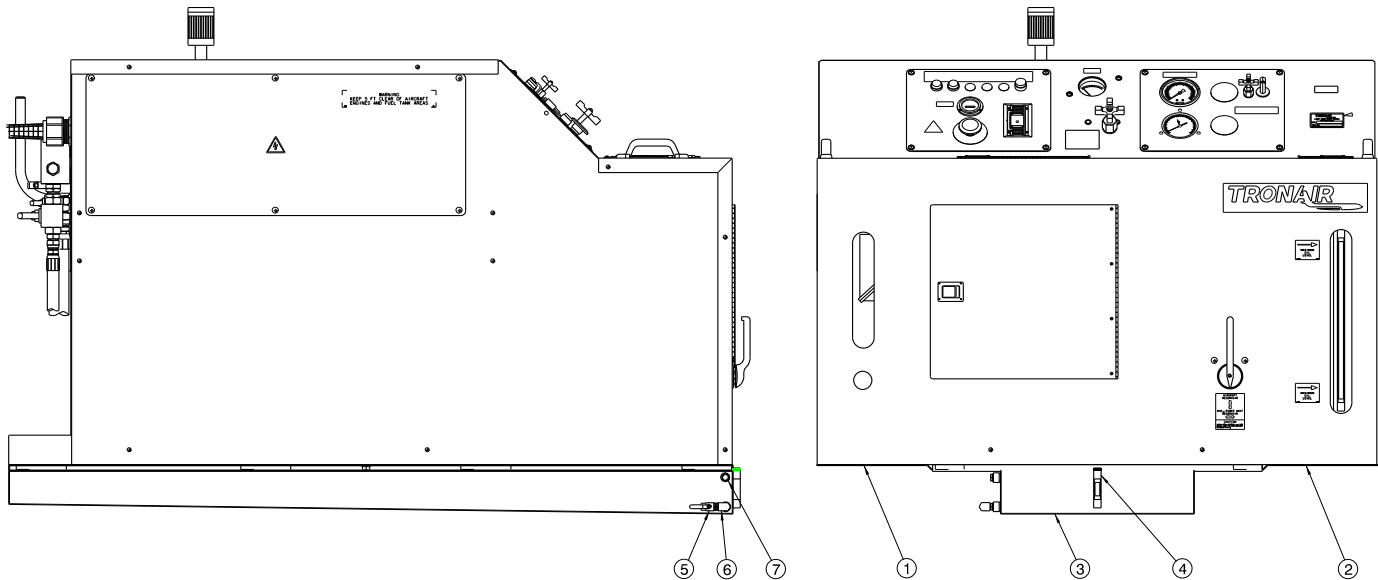
9.13.14 Return Backpressure (Option V) (continued)

**Model 5631 Parts List**

Fluid Type: Aviation Phosphate Ester, Type IV and V

Item	Part Number	Description	Qty
1	HC-2260	GAUGE, PRESSURE 0-300 PSI	1
2	V-2062	LABEL, BACK PRESSURE VALVE	1
3	N-2042-14-S-E	ELBOW, 45 DEG STR THD	1
4	HC-2656	VALVE, BACKPRESSURE	1
5	HC-1517	VALVE, BYPASS	1
6	HC-2662	MANIFOLD, BACKPRESSURE	1
7	N-2464-12-S-E	UNION, STR THD	1
8	HC-2058-02	VALVE, BALL	REF
9	N-2002-12-S	ELBOW, 90 DEG SWIVEL	1
10	N-2007-31-S-E	CONNECTOR, STR THD	1
11	V-2061	LABEL, BACKPRESSURE BYPASS VALVE	1
12	N-2036-13-S-E	SWIVEL, 37 DEG FEMALE	1
13	S-3472-00	BRACKET, MANIFOLD (NOT SHOWN)	1

## 9.13.15 Drip Pan (Option 4)



### Model 5711 & 5721 Parts List Fluid Type: MIL-PRF-5606 & MIL-PRF-83282

Item	Part Number	Description	Qty
1	S-2358	Pan, Left Side Drip	1
2	S-2359	Pan, Right Side Drip	1
3	S-2360	Pan, Center Drip	1
4	HC-1382-03	Gauge, Sight	1
5	HC-1766-02	Valve, Ball	1
6	N-2661-02-S-B	Elbow, Straight Thread	1
7	N-2053-05-S-B	Plug, Straight Thread	1
N/S	G-1100-109504	Bolt, Hex Head, ½ - 20 x ½ Long	16
N/S	G-1250-1090N	Flatwasher, ½ Narrow	16
N/S	G-1100-109514	Bolt, Hex head, ½ - 20 x 1 ½ Long	16

### Model 5731 Parts List Fluid Type: Aviation Phosphate Ester, Type IV and V

Item	Part Number	Description	Qty
1	S-2358	Pan, Left Side Drip	1
2	S-2359	Pan, Right Side Drip	1
3	S-2360	Pan, Center Drip	1
4	HC-1383-03	Gauge, Sight	1
5	HC-1770-02	Valve, Ball	1
6	N-2661-02-S-E	Elbow, Straight Thread	1
7	N-2053-05-S-E	Plug, Straight Thread	1
N/S	G-1100-109504	Bolt, Hex Head, ½ - 20 x ½ Long	16
N/S	G-1250-1090N	Flatwasher, ½ Narrow	16
N/S	G-1100-109514	Bolt, Hex head, ½ - 20 x 1 ½ Long	16

9.14 REPLACEMENT LABELS PARTS LISTS

9.14.1 Base Unit

**Parts List**  
All Fluid Types

Part Number	Description	Qty
V-1001	"Made in USA"	1
V-1033	"TRONAIR"	1
V-1050	ISO Electrical Shock Symbol	2
V-1365	"SYSTEM PRESSURE"	1
V-1366	"HPU BY-PASS VALVE"	1
V-1374	"ROTATION"	1
V-1470	"CAUTION..."	1
V-1882	Control Panel Lights	1
V-1883	"HOUR METER"	1
V-1884	"FLOWMETER"	1
V-1886	"PYROMETER"	1
V-1888	"SHUT-OFF/CALIBRATION PORT"	1
V-1893	"SAMPLE VALVE"	1
V-1894	"PRESSURE"	1
V-1895	"RETURN"	1
V-1896	"MAXIMUM OIL LEVEL"	1
V-1897	"MINIMUM OIL LEVEL"	1
V-1898	"PRESSURE and FLOW CONTROLS INSIDE"	1
V-1900	"WARNING KEEP 5 FT CLEAR..."	2
V-1914	Reservoir Selector Valve	1
V-1918	"PE"	1
V-1919	"OPERATING INSTRUCTIONS..."	1
V-2008	"FLOW INCREASE"	1
V-2009	"PRESSURE INCREASE"	1

9.14.2 Fluid Labels

**Model 5711 Parts List**  
Fluid Type: MIL-PRF-5606

Part Number	Description	Qty
V-1975	"MIL-PRF-5606"	2

**Model 5721 Parts List**  
Fluid Type: MIL-PRF-83282

Part Number	Description	Qty
V-1976	"MIL-PRF-83282"	2

**Model 5731 Parts List**  
Fluid Type: Aviation Phosphate Ester, Type IV and V

Part Number	Description	Qty
V-1977	"PHOSPHATE ESTER FLUIDS ONLY"	2

9.14.3 Filter Element Kit Labels

**Model 5711 & 5721 Parts List**  
Fluid Type: MIL-PRF-5606 & MIL-PRF-83282

Part Number	Description	Qty
V-1959	"REPLACEMENT FILTER ELEMENT K-3613"	1
V-1961	"REPLACEMENT FILTER ELEMENT K-3615"	1
V-1916	"REPLACEMENT DESICCANT FILTER ELEMENT HC-1763"	1

**Model 5731 Parts List**

Fluid Type: Aviation Phosphate Ester, Type IV and V

Part Number	Description	Qty
V-1960	"REPLACEMENT FILTER ELEMENT K-3614"	1
V-1962	"REPLACEMENT FILTER ELEMENT K-3616"	1
V-1916	"REPLACEMENT DESICCANT FILTER ELEMENT HC-1763"	1

9.14.4 Split System (Option C)

**Parts List**  
All Fluid Types

Part Number	Description	Qty
V-2004	"SYSTEM 1 PRESSURE"	1
V-2005	"SYSTEM 2 PRESSURE"	1
V-2006	"SYSTEM 1 RETURN"	1
V-2007	"SYSTEM 2 RETURN"	1

9.14.5 Hand Pump (Option M) Labels

**Model 5711 & 5721 Parts List**  
Fluid Type: MIL-PRF-5606 & MIL-PRF-83282

Part Number	Description	Qty
V-1887	"HAND PUMP PRESSURE"	1
V-1915	"HAND PUMP"	1
V-1988	"REPLACEMENT FILTER ELEMENT K-3752"	1

**Model 5731 Parts List**

Fluid Type: Aviation Phosphate Ester, Type IV and V

Part Number	Description	Qty
V-1887	"HAND PUMP PRESSURE"	1
V-1915	"HAND PUMP"	1
V-1989	"REPLACEMENT FILTER ELEMENT K-3752"	1

**10.0 PROVISION OF SPARES**

10.1 SOURCE OF SPARE PARTS

**TRONAIR, Inc.**  
1 Air Cargo Pkwy East  
Swanton, Ohio 43558 USA

Telephone: (419) 866-6301 or 800-426-6301  
Fax: (419) 867-0634  
E-mail: sales@tronair.com  
Website: www.tronair.com

10.2 RECOMMENDED SPARE PARTS LISTS

It is recommended that the following spare parts be kept on hand and available for immediate use during maintenance.

10.2.1 Spare Electrical Parts

**Model 5711 & 5721 Parts List**

Fluid Type: MIL-PRF-5606 & MIL-PRF-83282

Part Number	Description	Qty
Refer to Section 9.10 Electrical Components Item 13	Fuse, Transformer Primary	2
EC-1542-09	Fuse, Transformer Secondary	1
Refer to Section 9.10 Electrical Components Item 15	Fuse, Heat Exchanger	3
EC-1419-09	Fuse, Phase Monitor (Optional)	3

**Model 5731 Parts List**

Fluid Type: Aviation Phosphate Ester, Type IV and V

Part Number	Description	Qty
Refer to Section 9.10 Electrical Components Item 20	Fuse, Transformer Primary	2
EC-1542-09	Fuse, Transformer Secondary	1
Refer to Section 9.10 Electrical Components Item 22	Fuse, Heat Exchanger	3
EC-1675-12	Fuse, Phase Monitor (Optional)	3

10.2.2 Spare Parts

**Model 5711 & 5721 Parts List**

Fluid Type: MIL-PRF-5606 & MIL-PRF-83282

Part Number	Description	Qty
HC-1763	Desiccant Filter Element	1
TBD	Kit, Gaskets and O-rings for Main Pump	1
K-3613	Kit, Pressure Filter Element	1
K-3615	Kit, Return Filter Element	1
TBD	Kit, Shaft Seal and Retainer for Main Pump	1
K-3751	Kit, Hand Pump Filter Element (Optional)	1

**Model 5731 Parts List**

Fluid Type: Aviation Phosphate Ester, Type IV and V

Part Number	Description	Qty
HC-1763	Desiccant Filter Element	1
TBD	Kit, Gaskets and O-rings for Main Pump	1
K-3614	Kit, Pressure Filter Element	1
K-3616	Kit, Return Filter Element	1
TBD	Kit, Shaft Seal and Retainer for Main Pump	1
K-3752	Kit, Hand Pump Filter Element (Optional)	1

## 11.0 CALIBRATION OF INSTRUMENTATION

All gauges on the Hydraulic Power Unit can be either returned to Tronair for calibration or certified by the end user if proper calibration equipment is available. Gauges returned to Tronair for calibration will be tested with standards traceable to N.I.S.T. (National Institute of Standards and Technology). Tronair recommends calibration of instrumentation at yearly intervals, but actual calibration dates may be based upon frequency of use and the end users quality system. For information on returning gauges for calibration, Reference **12.1 – Source of Calibration**.

### 11.1 SOURCE OF CALIBRATION

**TRONAIR**, Inc.  
1 Air Cargo Pkwy East  
Swanton, Ohio 43558 USA

Telephone: (419) 866-6301 or 800-426-6301  
Fax: (419) 867-0634  
E-mail: sales@tronair.com  
Website: www.tronair.com

### 11.2 ANALOG PRESSURE GAUGE – System Pressure

#### 11.2.1 Self Calibration

An accurate pressure calibration gauge is required for calibration of the System Pressure gauge. There are two methods available. Method A can be used if the HPU is equipped with a calibration port (*Option Q*). Method B must be used if the HPU is **not** equipped with a calibration port. Follow the necessary steps below.

**NOTE: Method A can only test the gauge up to the rated operating pressure of the HPU (3,500 psi).**

**Method A:** Shut off HPU and disconnect from aircraft. Close the calibration port **Shut-off Valve** on the instrument panel of the HPU. Attach the “Master” calibration gauge to the **Calibration Port** on the instrument panel.

Set up the HPU as follows:

Reservoir Selector Valve..... Set to HPU Reservoir  
Bypass Valve ..... Open  
Pressure Ball Valves (at rear of unit)..... Closed  
Return Ball Valves (at rear of unit) ..... Closed

Start the HPU. Open the calibration port Shut-off Valve. Close the Bypass valve to build system pressure. Record gauge values at the designated increments.

Open the Bypass valve.

Shut off the HPU and close the calibration port Shut-off Valve before disconnecting the “Master” calibration gauge.

**Method B:** Shut off the HPU and disconnect it from the power source. Remove the **Hydraulic Panel** from the front instrument panel (four screws). Disconnect the hose from the System Pressure gauge (remove gauge from panel if necessary). Attach calibration test equipment to the gauge and record gauge values at the designated increments.

### SYSTEM PRESSURE GAUGE (HC-2144)

Applied Pressure (System Pressure Gauge) (psig)	Minimum Acceptable (psig)	Maximum Acceptable (psig)	Gauge Movement (Direction)	Indicated Pressure (Calibration Gauge) (psig)
1000	940	1060	Increasing	
2000	1940	2060	Increasing	
3000	2940	3060	Increasing	
4000	3940	4060	Increasing	
5000	4940	5060	Increasing	
6000	5940	6060	Increasing	
5000	4940	5060	Decreasing	
4000	3940	4060	Decreasing	
3000	2940	3060	Decreasing	
2000	1940	2060	Decreasing	
1000	940	1060	Decreasing	

Allowable operating tolerance: +/- 1% of full scale (60 psig) at room temperature (70° F).

11.3 ANALOG PRESSURE GAUGE (Hand Pump Pressure- *Option M Only*)

11.3.1 Self Calibration

An accurate pressure calibration gauge is required for calibration of the Hand Pump Pressure gauge. Follow the necessary steps below.

Shut off the HPU and disconnect it from the power source. Remove the **Hydraulic Panel** from the front instrument panel (four screws). Disconnect the hose from the Hand Pump Pressure gauge (remove gauge from panel if necessary). Attach calibration test equipment to the gauge and record gauge values at the designated increments.

**HAND PUMP PRESSURE GAUGE (HC-2146)**

Applied Pressure (Hand Pump Pressure Gauge) (psig)	Minimum Acceptable (psig)	Maximum Acceptable (psig)	Gauge Movement (Direction)	Indicated Pressure (Calibration Gauge) (psig)
1000	700	1300	Increasing	
2000	1700	2300	Increasing	
5000	4800	5200	Increasing	
8000	7700	8300	Increasing	
10,000	9700	10,300	Increasing	
8000	5940	8300	Decreasing	
5000	4800	5200	Decreasing	
2000	1700	2300	Decreasing	
1000	700	1300	Decreasing	
Allowable operating tolerance: +/- 3% of full scale (300 psig) at room temperature (70° F). +/- 2% of full scale for middle third of scale (200 psig) at room temperature (70° F).				

11.4 ANALOG TEMPERATURE GAUGE (Pyrometer- *Option K Only*)

11.4.1 Self Calibration

An accurate temperature calibration gauge is required for calibration of the Pyrometer. The pyrometer bulb is located in the return manifold (rear of unit) and can be accessed by removal of the HPU top panel. See Section **9.7.2 – Pyrometer** for location. Follow the necessary steps below.

1. Remove the pyrometer bulb from the return manifold by removing the slotted brass nut that retains the bulb in the well.
2. Connect the temperature calibration gauge to the bulb of the pyrometer.

**The Temperature Value Must Be:**

Pyrometer Temperature Display (° F)	Minimum Acceptable (° F)	Maximum Acceptable (° F)	Temperature Calibration gauge (° F)
160	158	162	

## 12.0 IN SERVICE SUPPORT

Contact Tronair, Inc. for technical services and information. See Section 1.3 – *Manufacturer*.

## 13.0 GUARANTEES/LIMITATION OF LIABILITY

Tronair products are warranted to be free of manufacturing or material defects for a period of one year after shipment to the original customer. This is solely limited to the repair or replacement of defective components. This warranty does not cover the following items:

- a) Parts required for normal maintenance
- b) Parts covered by a component manufacturers warranty
- c) Replacement parts have a 90-day warranty from date of shipment

If you have a problem that may require service, contact Tronair immediately. Do not attempt to repair or disassemble a product without first contacting Tronair, any action may affect warranty coverage. When you contact Tronair be prepared to provide the following information:

- a) Product Model Number
- b) Product Serial Number
- c) Description of the problem

If warranty coverage is approved, either replacement parts will be sent or the product will have to be returned to Tronair for repairs. If the product is to be returned, a Return Material Authorization (RMA) number will be issued for reference purposes on any shipping documents. Failure to obtain a RMA in advance of returning an item will result in a service fee. A decision on the extent of warranty coverage on returned products is reserved pending inspection at Tronair. Any shipments to Tronair must be shipped freight prepaid. Freight costs on shipments to customers will be paid by Tronair on any warranty claims only. Any unauthorized modification of the Tronair products or use of the Tronair products in violation of cautions and warnings in any manual (including updates) or safety bulletins published or delivered by Tronair will immediately void any warranty, express or implied.

The obligations of Tronair expressly stated herein are in lieu of all other warranties or conditions expressed or implied. **Any unauthorized modification of the Tronair products or use of the Tronair products in violations of cautions and warnings in any manual (including updates) or safety bulletins published or delivered by Tronair will immediately void any warranty, express or implied and Tronair disclaims any and all liability for injury (WITHOUT LIMITATION and including DEATH), loss or damage arising from or relating to such misuse.**

## 14.0 APPENDICES

APPENDIX I	Declaration of Conformity
APPENDIX II	Hydraulic Schematic (INS-1660)
APPENDIX III	Electrical Schematic (INS-2016)
APPENDIX IV	Wiring Diagram (INS-1597)
APPENDIX V	Lincoln Motor Manual
APPENDIX VI	Oilgear Pump Manual
APPENDIX VII	Safety Data Sheet pertaining to MIL-PRF-5606 Hydraulic Fluid
APPENDIX VIII	Safety Data Sheet pertaining to MIL-PRF-83282 Hydraulic Fluid
APPENDIX IX	Safety Data Sheet pertaining to Aviation Phosphate Ester, Type IV and V Hydraulic Fluid
APPENDIX X	Instrument Certification Notice





## **APPENDIX I**

### **Declaration of Conformity**





## Declaration of Conformity

The design, development and manufacture is in accordance with European Community guidelines

### Mobile Hydraulic Power Unit (Electric Motor Driven)

Relevant draft complied with by the machinery:  
prEN 1915-1:1995

Relevant standards complied with by the machinery:  
prEN 982:1996  
prEN 60204-1:1997  
HFPA/JIC T2.24.1-1990  
ISO 4021:1997  
ARP 1247B  
NFPA 70/NEC 1999

Identification of person empowered to sign on behalf of the Manufacturer:

A handwritten signature in cursive script that reads "Patrick Finch". The signature is written in black ink and is positioned above a horizontal line.

Quality Assurance Representative





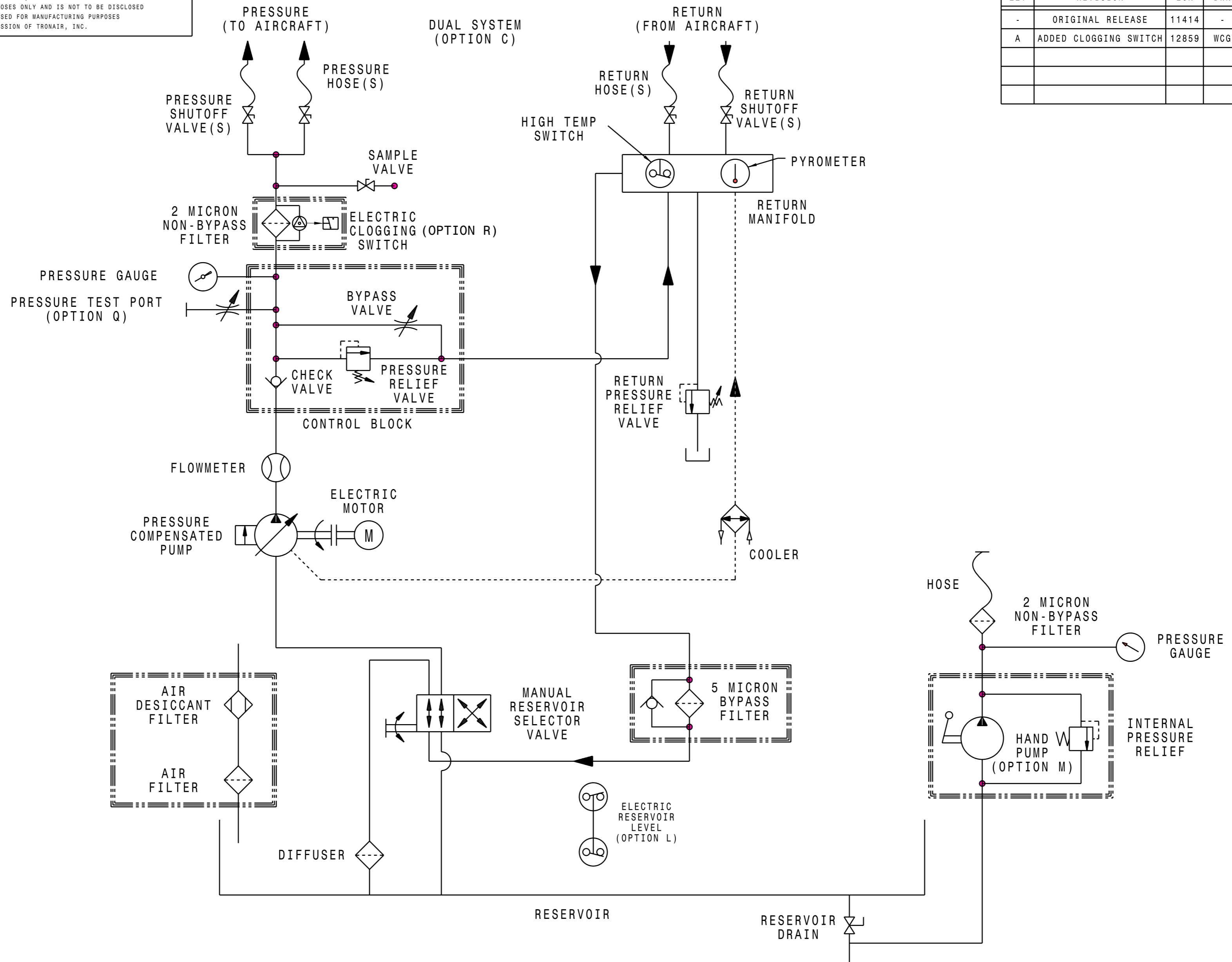
## APPENDIX II

### Hydraulic Schematic (INS-1660)



THIS DRAWING IS THE PROPERTY OF TRONAIR, INC. IT IS FURNISHED TO YOU FOR CONFIDENTIAL INFORMATION PURPOSES ONLY AND IS NOT TO BE DISCLOSED TO ANYONE ELSE OR REPRODUCED OR USED FOR MANUFACTURING PURPOSES WITHOUT THE EXPRESS WRITTEN PERMISSION OF TRONAIR, INC.

LET	REVISION	ECN	DWN	CHK	DATE
-	ORIGINAL RELEASE	11414	-	-	05-11-01
A	ADDED CLOGGING SWITCH	12859	WCG	PEH	03-13-03



MAKE FROM: N / A	TYPE: N / A
MATERIAL: N / A	FINISH: N / A
REFERENCE: N / A	SIZE: <b>C</b>
SCALE: FULL	DO NOT SCALE DRAWING

BREAK ALL SHARP EDGES AND CORNERS  
TOLERANCES UNLESS OTHERWISE SPECIFIED

DECIMAL	.X	± .100
	.XX	± .030
	.XXX	± .010
FRACTION	X/XX	± 1/16

ANGLES: ± 1/2 DEGREE  
< > INDICATES CRITICAL DIMENSIONS  
( ) INDICATES REFERENCE DIMENSIONS

**TRONAIR** AIRCRAFT GROUND SUPPORT EQUIPMENT

DWN BY	DEP	CKD BY	WJL	DATE	05-11-01
<b>SCHEMATIC, HYDRAULIC</b>					
05	<b>INS-1660</b>			REV	A







## **APPENDIX III**

### **Electrical Schematic (INS-2016)**



THIS DRAWING IS THE PROPERTY OF TRONAIR, INC. IT IS FURNISHED TO YOU FOR CONFIDENTIAL INFORMATION PURPOSES ONLY AND IS NOT TO BE DISCLOSED TO ANYONE ELSE OR REPRODUCED OR USED FOR MANUFACTURING PURPOSES WITHOUT THE EXPRESS WRITTEN PERMISSION OF TRONAIR, INC.

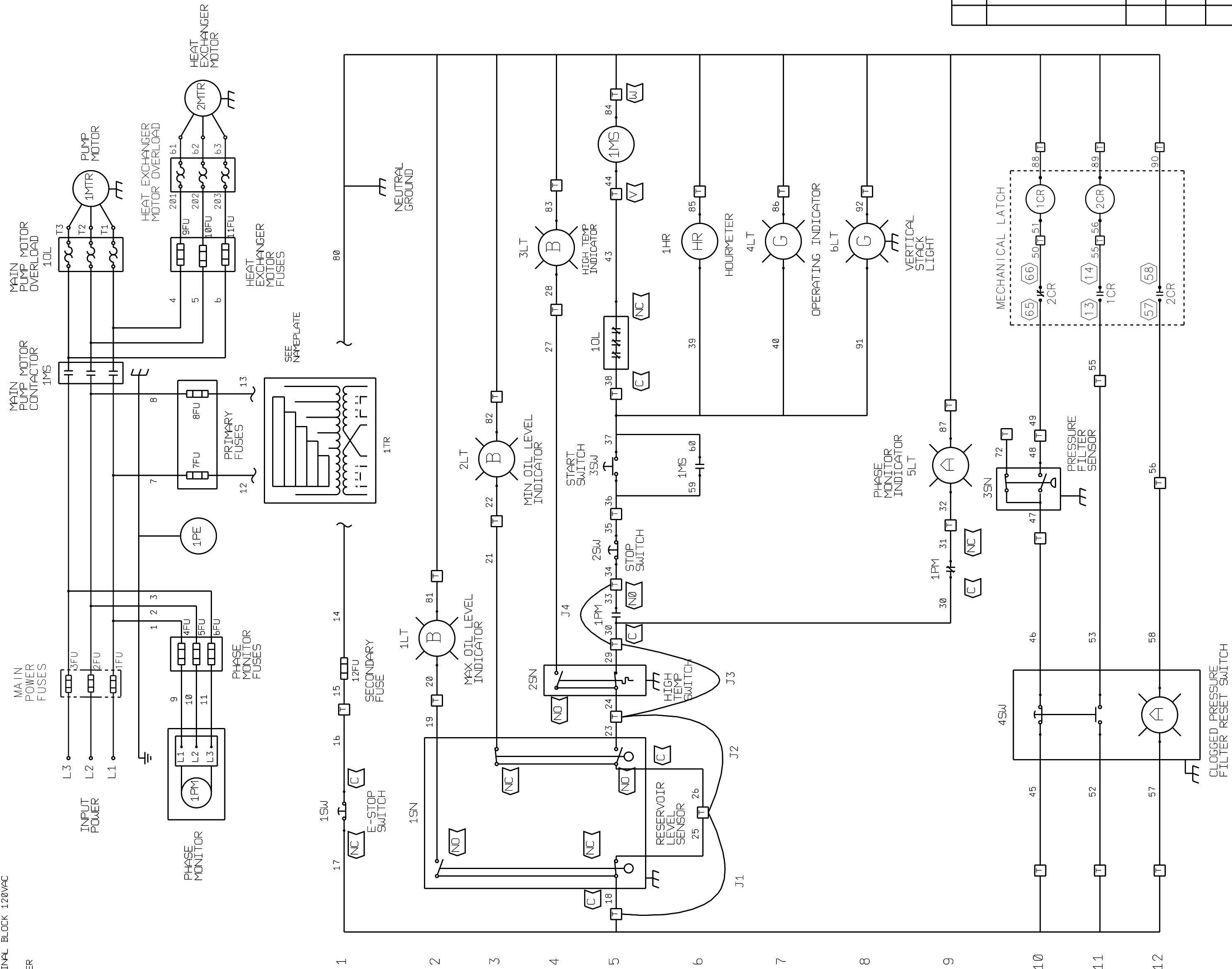
LET	REVISION	ECN	DWN	CHK	DATE
01	ORIGINAL RELEASE	16922	-	-	06-08-09

COMPONENT ABBREVIATION  
 MS - MOTOR STARTER  
 OL - OVERLOAD  
 MTR - MOTOR  
 SW - SWITCH  
 PM - PHASE MONITOR  
 CR - CONTROL RELAY  
 SOL - SOLENOID  
 HR - HOURMETER  
 FU - FUSE  
 TR - TRANSFORMER  
 LT - LIGHT  
 SN - SENSOR  
 ML - MECHANICAL LATCH

WIRE COLORS:  
 - LT, BLUE  
 - RED  
 - BLACK  
 - GREEN/YELLOW

☒ - DEVICE TERMINATION  
 □ - TERMINAL BLOCK CONNECTION  
 1TB - GROUND TERMINAL BLOCK  
 2TB - NEUTRAL TERMINAL BLOCK  
 3TB - CONTROL TERMINAL BLOCK 120VAC

— OPTIONS JUMPER



MAKE FROM: N / A	TYPE: N / A
MATERIAL: N / A	FINISH: MILL
REFERENCE: INS-1725	SCALE: N. S. R. DO NOT SCALE DRAWING

BREAK ALL SHARP EDGES AND CORNERS  
 TOLERANCES UNLESS OTHERWISE SPECIFIED  
 DECIMAL .X ± .100  
 .XX ± .030  
 .XXX ± .010  
 FRACTION XXX ± 1/16  
 ANGLES: ± 1/2 DEGREE  
 < > INDICATES CRITICAL DIMENSIONS  
 ( ) INDICATES REFERENCE DIMENSIONS

**TRONAIR** AIRCRAFT GROUND SUPPORT EQUIPMENT

DWN BY JMB CRD BY PEH 06-08-09

SCHEMATIC, HPU ELECTRICAL (K-4321)

05 INS-2016 REV 01

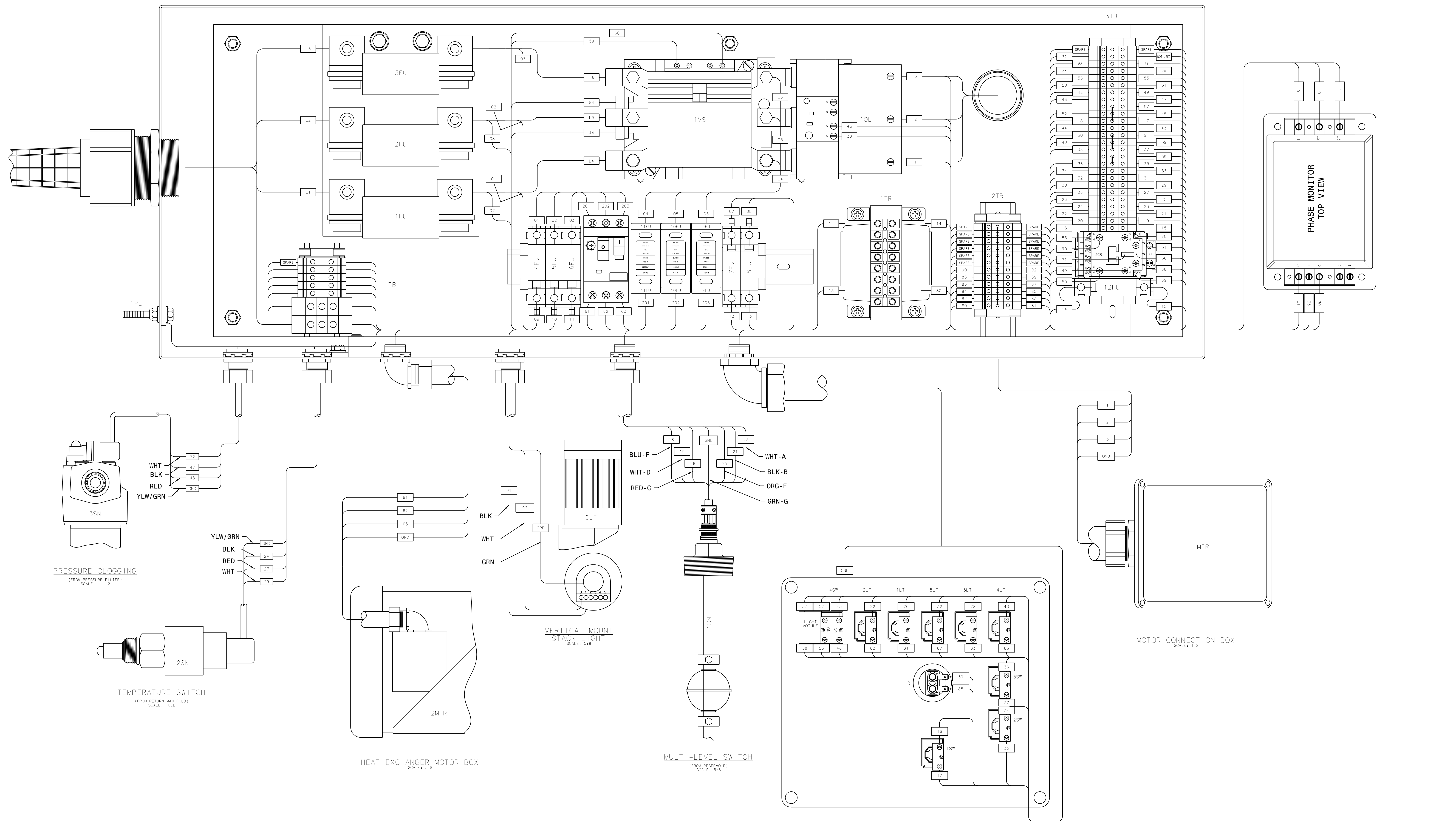




## **APPENDIX IV**

### **Wiring Diagram (INS-1597)**





**PRESSURE CLOGGING**  
(FROM PRESSURE FILTER)  
SCALE: 1 : 2

**TEMPERATURE SWITCH**  
(FROM RETURN MANIFOLD)  
SCALE: FULL

**VERTICAL MOUNT STACK LIGHT**  
SCALE: 5/8

**MULTI-LEVEL SWITCH**  
(FROM RESERVOIR)  
SCALE: 5/8

**ELECTRICAL INSTRUMENT PANEL**  
(LOOKING FROM REAR OF PANEL)  
SCALE: 9/16

- NOTES:**
- PLACE LABELS, V-1978, ON OR NEAR LOCATIONS SHOWN.
  - WIRE TRANSFORMER TO MATCH REQUIRED CUSTOMER VOLTAGE PER TRANSFORMER NAMEPLATE DIAGRAM.
  - IF NO RESERVOIR LEVEL SENSOR OPTION:  
ADD ORANGE JUMPER WIRE J1 FROM 18 TERMINAL POINT TO 25 TERMINAL POINT.  
ADD ORANGE JUMPER WIRE J2 FROM 26 TERMINAL POINT TO 23 TERMINAL POINT.
  - IF NO HIGH TEMP SWITCH OPTION:  
ADD ORANGE JUMPER WIRE J3 FROM 24 TERMINAL POINT TO 29 TERMINAL POINT.
  - IF NO PHASE MONITOR OPTION:  
ADD ORANGE JUMPER WIRE J4 FROM 30 TERMINAL POINT TO 33 TERMINAL POINT.

NAME FROM: N/A	TYPE: N/A	BREAK ALL SHARP EDGES AND CORNERS TOLERANCES UNLESS OTHERWISE SPECIFIED	
MATERIAL: N/A	FINISH: MILL	DECIMAL: .XX ± .000 .XXX ± .010 FRACTION: X/XX ± 1/16 ANGLES: ± 1/2 DEGREE ( ) INDICATES CRITICAL DIMENSIONS ( ) INDICATES REFERENCE DIMENSIONS	
SCALE: 3:4	NO NOT SCALE DRAWING	SIZE: E	DWN BY: MAB CHK BY: PEH DATE: 04-10-00 <b>INSTRUCTION WIRING DIAGRAM (CE-CSA)</b> REV: 05 INS-1597 G







**APPENDIX V**

**Lincoln Motor Manual**



Carefully read and fully understand this Owner's Manual prior to installation, operation and maintenance of your motor.

### 1. SAFETY DEPENDS ON YOU

Lincoln motors are designed and manufactured with safety in mind. However, your overall safety can be increased by properly installing, operating and maintaining the motor. Read and observe all instructions, warnings and specific safety precautions included in this manual and **THINK BEFORE YOU ACT!**

### 2. RECEIVING AND INSPECTION

Check packing list and inspect motor to make certain no damage has occurred in shipment. Claims for any damage done in shipment must be made by the purchaser against the transportation company.

Turn the motor shaft by hand to be certain that it rotates freely. Be careful not to cut yourself on the shaft keyway; it is razor sharp!

Check the nameplate for conformance with power supply and control equipment requirements.

### 3. HANDLING

 <b>WARNING</b>	
	<b>FALLING EQUIPMENT can injure.</b>
	<ul style="list-style-type: none"> <li>● Lift only with equipment of adequate lifting capacity.</li> <li>● If so equipped, use lift ring(s) on the motor to lift <b>ONLY</b> the motor and accessories mounted by Lincoln.</li> </ul>

In case of assemblies on a common base, the motor lift ring(s) **CANNOT** be used to lift the assembly and base but, rather, the assembly should be lifted by a sling around the base or by other lifting means provided on the base. In all cases, care should be taken to assure lifting in the direction intended in the design of the lifting means. Likewise, precautions should be taken to prevent hazardous overloads due to deceleration, acceleration or shock forces.

### 4. STORAGE

Motor stock areas should be clean, dry, vibration free and have a relatively constant ambient temperature. For added bearing protection while the motor is in storage, turn the motor shaft every six months.

A motor stored on equipment and component equipment prior to installation should be kept dry and protected from the weather. If the equipment is exposed to the atmosphere, cover the motor with a waterproof cover. Motors should be stored in the horizontal position with drains operable and positioned in the lowest point. **CAUTION:** Do not completely surround the motor with the protective covering. The bottom area should be open at all times.

Windings should be checked with a megohm-meter (Megger) at the time equipment is put in storage. Upon removal from storage, the resistance reading must not have dropped more than 50% from the initial reading. Any drop below this point necessitates electrical or mechanical drying. Note the sensitivity of properly connected megohm-meters can deliver erroneous values. Be sure to carefully follow the megohm-meter's operating instructions when making measurements.

All external motor parts subject to corrosion, such as the shaft and other machined surfaces, must be protected by applying a corrosion-resistant coating.

### 5. INSTALLATION

For maximum motor life, locate the motor in a clean, dry, well ventilated place easily accessible for inspecting, cleaning and lubricating. The temperature of the surrounding air should not exceed 104°F (40°C) except for motors with nameplates indicating a higher allowable maximum ambient temperature.

 <b>WARNING</b>	
	<b>MOVING PARTS can injure.</b>
	<ul style="list-style-type: none"> <li>● <b>BEFORE</b> starting motor, be sure shaft key is captive.</li> <li>● Consider application and provide guarding to protect personnel.</li> </ul>

#### 5.1 INSTALLATION – MECHANICAL

##### Base

Mount the motor on a firm foundation or base sufficiently rigid to prevent excessive vibration. On foot-mounted motors, use appropriately sized bolts through all four mounting holes. For frames which have six or eight mounting holes, use the two closest the drive shaft and two on the end opposite the drive shaft (one on each side of the frame). If necessary, properly shim the motor to prevent undue stress on the motor frame and to precision align the unit.

##### Position

Standard motors may be mounted in any position. The radial and thrust load capacity of the motor's bearing system provides for this feature.

##### Drains

All motors have drain holes located in the end brackets. As standard, drains are in place for the horizontal with feet down mounting position. Other positions may require either rotation of the end brackets or drilling additional holes to attain proper drainage. Be sure existing drain or vent holes do not permit contaminant entry when motor is mounted in the other positions.

Additional drain holes exist near the bearing cartridge in both end brackets of 284T thru 449T steel frame motors. The drain holes are closed with a plastic plug. When the motor is vertically mounted, the plug located in the lower end bracket must be removed. To access the plug on blower end, simply remove the shroud; on some models, it is also necessary to take off the blower.

##### Drive – Power Transmission

The pulley, sprocket, or gear used in the drive should be located on the shaft as close to the shaft shoulder as possible. Do not drive the unit on the shaft as this will damage the bearings. Coat the shaft lightly with heavy oil before installing pulley.

**Belt Drive:** Align the pulleys so that the belt(s) will run true. Consult the belt manufacturer's catalog for recommended tension. Properly tension the belt; excessive tension will cause premature bearing failure. If possible, the lower side of the belt should be the driving side. On multiple belt installations be sure all belts are matched for length.

**Chain Drive:** Mount the sprocket on the shaft as close to the shaft shoulder as possible. Align the sprockets so that the chain will run true. Avoid excessive chain tension.

**Gear Drive and Direct Connection:** Accurate alignment is essential. Secure the motor and driven unit rigidly to the base. Shims may be needed to achieve proper alignment.

Excessive motor vibration may result if the full length of the motor shaft key is not completely engaged by the coupling or sheave. For these situations, adjustment of the key length is required.

5.2 INSTALLATION – ELECTRICAL

⚠ **WARNING**

**ELECTRIC SHOCK can kill.**

- Disconnect input power supply before installing or servicing motor.
- Motor lead connections can short and cause damage or injury if not well secured and insulated.

● Use washers, lock washers and the largest bolt size which will pass through the motor lead terminals in making connections.

● Insulate the connection, equal to or better than the insulation on the supply conductors.

● Properly ground the motor — see GROUNDING.

Check power supply to make certain that voltage, frequency and current carrying capacity are in accordance with the motor nameplate.

Proper branch circuit supply to a motor should include a disconnect switch, short circuit current fuse or breaker protection, motor starter (controller) and correctly sized thermal elements or overload relay protection.

Short circuit current fuses or breakers are for the protection of the branch circuit. Starter or motor controller overload relays are for the protection of the motor.

Each of these should be properly sized and installed per the National Electrical Code and local codes.

Properly ground the motor – See GROUNDING.

**Terminal Box**

Remove the appropriate knockout. For terminal boxes without a knockout, either a threaded power-conduit entry hole is provided or the installer is responsible for supplying a correctly sized hole.

The majority of terminal boxes can be rotated in place to allow power lead entry from the 3, 6, 9 or 12 o'clock direction.

**Motor Connection**

All single speed and two-speed Lincoln motors are capable of across-the-line or autotransformer starting. Reference the lead connection diagram located on the nameplate or inside of the terminal box cover.

Single speed motors have reduced voltage start capability per the following chart.

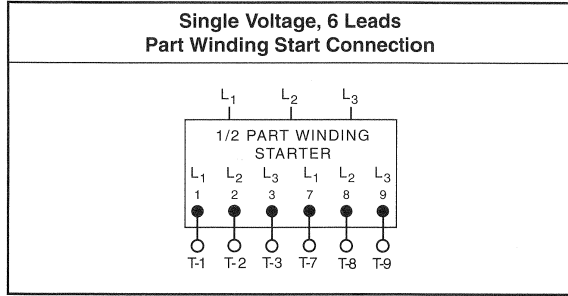
Number of Motor Leads	Number of Rated Voltages	Lead Numbers	YDS	PWS
3	Single	1-3	No	No
6	Single	1-3, 7-9	No	Yes
	Dual	1-6	Yes <sup>(1)</sup>	No
9	Dual	1-9	No	No
12	Single	1-12	Yes	Yes
	Dual	1-12	Yes	No <sup>(2)</sup>

(1) YDS capability on lower voltage only.

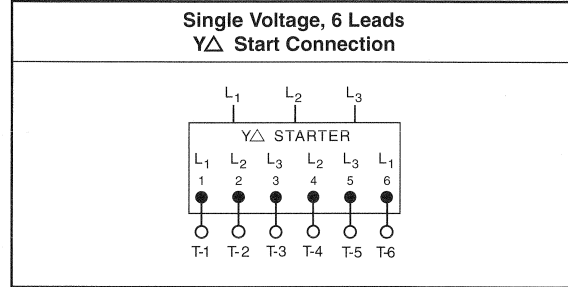
(2) PWS capability on lower voltage only, 1200 RPM, 324T-365T steel frame motors with Model Number efficiency letters of "S" or "H".

Contact Customer Service at 1-800-668-6748 (phone), 1-888-536-6867 (fax) or mailbox@lincolnmotors.com (e-mail) for a copy of across-the-line and other reduced voltage start connection diagrams.

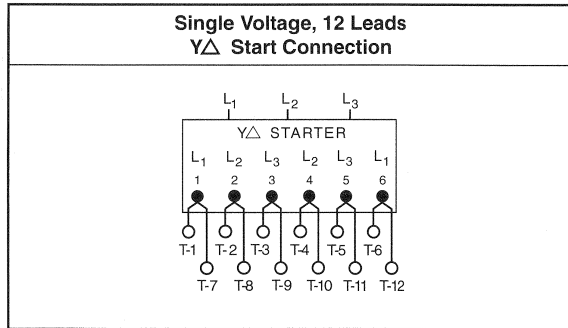
Connection Diagram 1



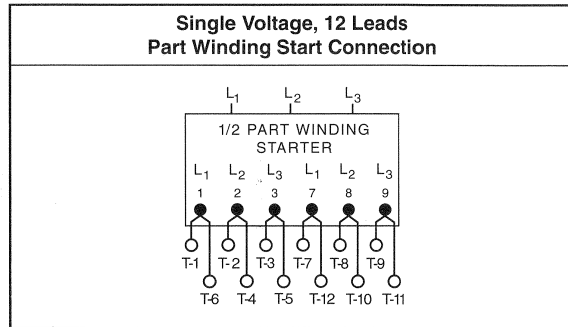
Connection Diagram 2



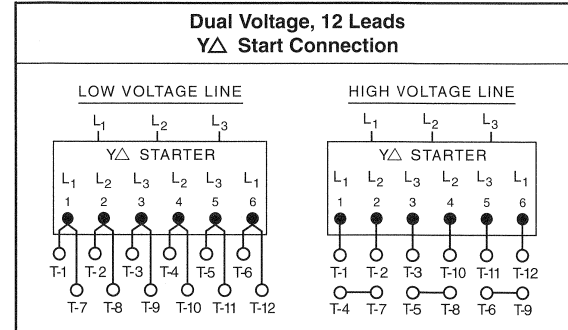
Connection Diagram 3



Connection Diagram 4



Connection Diagram 5



### Space Heater (option)

Leads for space heaters are identified as H1 and H2. Heater voltage and watts are marked on the motor nameplate and should be checked prior to connection to power source.

### Thermostat (option)

Leads for thermostats (normally closed, automatic reset contacts) are identified as P1 and P2. Connect these to a relay or signaling device. Motor line current cannot be handled by the thermostat.

Table 1 — Thermostat Contact Ratings

Voltage (60 Hz)	110V	220V
Max. Cont. Current (amps)	3.0	1.5
Min. Cont. Current (amps)	0.2	0.1


### Thermistor (option)


Leads for thermistors are identified as P3 and P4. Thermistors require connection to Texas Instruments® Control Module Model 32AA or its equivalent for proper operation. This item may be purchased from Lincoln - see LC100 catalog.

### Brake (option)

Carefully read and fully understand the instructions supplied by the brake manufacturer (see inside of brake housing or separately enclosed sheet). Contact the brake manufacturer for additional information.

## GROUNDING

 **WARNING**




**ELECTRIC SHOCK can kill.**



- **Connect the motor frame to a good earth ground per the National Electrical Code and local codes to limit the potential to ground in the event of contact between live electrical parts and the metal exterior.**

Lincoln motors may be electrically connected to earth ground using a terminal box mounting screw or a separate grounding screw when provided. Both are accessible inside the mounted terminal box. When a bronze mounting screw is supplied, always use it as the grounding point. In making the ground connection, the installer should make certain that there is a good electrical connection between the grounding lead and the motor.

## 6. OPERATION

Three phase squirrel cage induction motors will operate successfully, but not necessarily in accordance with nameplate ratings, at voltages 10 percent above or below nameplated value at the design frequency.

 **WARNING**

**MOVING PARTS can injure.**

- **Before starting the motor, remove all unused shaft keys and loose rotating parts to prevent them from flying off and causing bodily injury.**
- **Keep away from moving parts.**


**ELECTRIC SHOCK can kill.**


- **Do not operate with covers removed.**
- **Do not touch electrically live parts.**

After checking that the shaft key is secure, operate the motor free of load and check the direction of rotation. If the motor rotates in the wrong direction, interchange any two supply leads.

Couple the motor to its load and operate it for a minimum of one hour. During this period, check for any unusual noise or thermal conditions. Check the actual operating current to be sure that the nameplate current times service factor is not exceeded for steady continuous loads.

## 7. MAINTENANCE

 **WARNING**



**ELECTRIC SHOCK can kill.**

- **Internal parts of the motor may be at line potential even when it is not rotating.**
- **Disconnect all input power to the drive and motor before performing any maintenance.**

Lincoln motors have been designed and manufactured with long motor life expectancy and trouble-free operation in mind.

Periodically inspect the motor for excessive dirt, friction or vibration. Dust may be blown from an inaccessible location using compressed air. Keep the ventilation openings clear to allow free passage of air. Make sure the drain holes in the motors are kept open and the shaft slinger is positioned against the end bracket. Grease or oil can be wiped by using a petroleum solvent.

Overheating of the bearings caused by excessive friction is usually caused by one of the following factors:

1. Bent shaft.
2. Excessive belt tension.
3. Excessive end or side thrust from the gearing, flexible coupling, etc.
4. Poor alignment.

Damaging vibrations can be caused by loose motor mountings, motor misalignment resulting from the settling or distortion of the foundation, or it may be transmitted from the driven machine. Vibration may also be caused by excessive belt or chain tension.

### BEARING SYSTEM

Lincoln motors have a high quality, premium design bearing system. Bearing sizes and enclosures are identified on most motor nameplates. The majority are double-shielded, deep-groove ball bearings. Double-sealed ball bearings are used on some motors in frames 56 and 143T thru 145T. A drive-end cylindrical roller bearing is standard on Crusher Duty motors, frames 405T and larger.

**Lubrication instructions and/or grease specifications provided on the motor supersede the following information.**

In general, the motor's bearing system has sufficient grease to last indefinitely under normal service conditions. For severe or extreme service conditions, it is advisable to add one-quarter ounce of grease to each bearing per the schedule listed in Table 2. Use a good quality, moisture-resistant, polyurea-based grease such as Chevron SRI #2. Lithium based greases are not compatible with polyurea-based greases; mixing the two types may result in the loss of lubrication.

Motors designed for low ambient applications have bearings with special low temperature grease. Use Beacon 325 lithium based grease or equivalent per the appropriate interval in Table 2.

Motors designed for high ambient applications have bearings with special high temperature grease. Use Dow Corning DC44 silicone grease or equivalent per the interval in Table 2 under "Extreme".

**Severe Service:** Operating horizontally, 24 hours per day, vibration, dirty, dusty, high humidity, weather exposure, or ambient temperatures from 104-130°F (40-55°C).

**Extreme Service:** Operating vertically, heavy vibration or shock, heavy duty cycle, very dirty or ambient temperatures from 130-150°F (55-65°C).

Table 2 : Bearing Lubrication Intervals

Motor Syn Speed	Motor Horsepower	Service Conditions	
		Severe	Extreme
<b>BALL BEARINGS</b>			
1800 RPM and slower	1/4 to 7-1/2 HP	2 years	6 months
	10 to 40 HP	1 year	3 months
	50 HP and up	6 months	3 months
above 1800 RPM	all sizes	3 months	3 months
<b>ROLLER BEARINGS</b>			
all speeds	all sizes	3 months	3 months

When adding lubricant, keep all dirt out of the area. Wipe the fitting completely clean and use clean grease dispensing equipment. More bearing failures are caused by dirt introduced during greasing than from insufficient grease.

If the motor is equipped with a relief port or tube, make certain it is open and free of caked or hardened grease. Before replacing relief plugs, allow excess grease or pressure to vent by running the motor for several minutes after lubrication.

**⚠ CAUTION**

- LUBRICANT SHOULD BE ADDED AT A STEADY MODERATE PRESSURE. IF ADDED UNDER HEAVY PRESSURE BEARING SHIELD(S) MAY COLLAPSE.
- DO NOT OVER GREASE.

**PARTS**

All parts should be ordered from Authorized Motor Warranty Stations. Call your Lincoln Motors Sales Office for location and phone number. A "Service Directory" listing all Authorized Motor Warranty Stations by geographic location is available; request Bulletin SD-6. These shops stock GENUINE Lincoln replacement parts and have factory trained personnel to service your motor.

**8. WHO TO CALL**

For the location and phone number of the Lincoln Motors District Sales Office nearest you, check your local Yellow Pages or call 1-800-MOTOR-4-U (1-800-668-6748) or visit our web site at [www.lincolnmotors.com](http://www.lincolnmotors.com).



**LINCOLN MOTORS**  
Cleveland OH 44117-2525 USA

Tel: 1-800-MOTOR-4-U (668-6748)  
Fax: 1-888-536-6867  
Web: [www.lincolnmotors.com](http://www.lincolnmotors.com)  
E-Mail: [mailbox@lincolnmotors.com](mailto:mailbox@lincolnmotors.com)

IM566-A December 1999

**9. WARRANTY**

Lincoln Motors, the Seller, warrants all new *standard* motors and accessories thereof against defects in workmanship and material provided the equipment has been properly cared for and operated under normal conditions. All warranty periods begin on the date of shipment to the original purchaser. Warranty periods for **low voltage (< 600 V)** motors are defined in the following chart. The warranty period for **medium voltage (> 600 V)** motors is one year on sine-wave power. Contact Lincoln for warranty period on PWM power.

Model Number Prefix	Efficiency Code(s)	Frame Sizes	Warranty Period	
			Sine-Wave Power	PWM Power
AA, AF, AN	S, P, B	143T-286T	5 Yrs	2 Yrs*
CF, SD	M	143T-215T	2 Yrs	1 Yr
CF, CN, CS, CP	E, H, P, B	143T-449T	5 Yrs	2 Yrs*
		182U-449U	5 Yrs	2 Yrs*
C5, C6	H, P	M504-689	3 Yrs	Contact Lincoln #
MD, SE	S	284T-445T	5 Yrs	1 Yr
RC, RJ, SC	H	56-145T	5 Yrs	2 Yrs*
RD, RF	S	56-56H	5 Yrs	2 Yrs*
REW, SEW	S	56-256T	1 Yr	1 Yr
SD, SF	S, H, P, B	143T-449T	5 Yrs	2 Yrs*
Field Kits and Accessories			5 Yrs	

\* Applies to motors with a service factor of 1.15 or higher. Motors with a 1.0 service factor have a 1 year warranty on PWM power.

If the Buyer gives the Seller written notice of any defects in equipment within any period of the warranty and the Seller's inspection confirms the existence of such defects, then the Seller shall correct the defect or defects at its option, either by repair or replacement F.O.B. its own factory or other place as designated by the Seller. The remedy provided the Buyer herein for breach of Seller's warranty shall be exclusive.

No expense, liability or responsibility will be assumed by the Seller for repairs made outside of the Seller's factory without written authority from the Seller.

The Seller shall not be liable for any consequential damages in case of any failure to meet the conditions of any warranty. The liability of the Seller arising out of the supplying of said equipment or its use by the Buyer, whether on warranties or otherwise, shall not in any case exceed the cost of correcting defects in the equipment in accordance with the above guarantee. Upon the expiration of any period of warranty, all such liability shall terminate.

The foregoing guarantees and remedies are exclusive and except as above set forth there are no guarantees or warranties with respect to accessories or equipment, either expressed or arising by option of law or trade usage or otherwise implied, including with limitation the warranty of merchantability, all such warranties being waived by the Buyer.

# - indicates change since last printing.



## **APPENDIX VI**

### **Oilgear Pump Manual**





# OILGEAR TYPE "PVG" PUMPS - 048/065/075/100/130 SERVICE INSTRUCTIONS

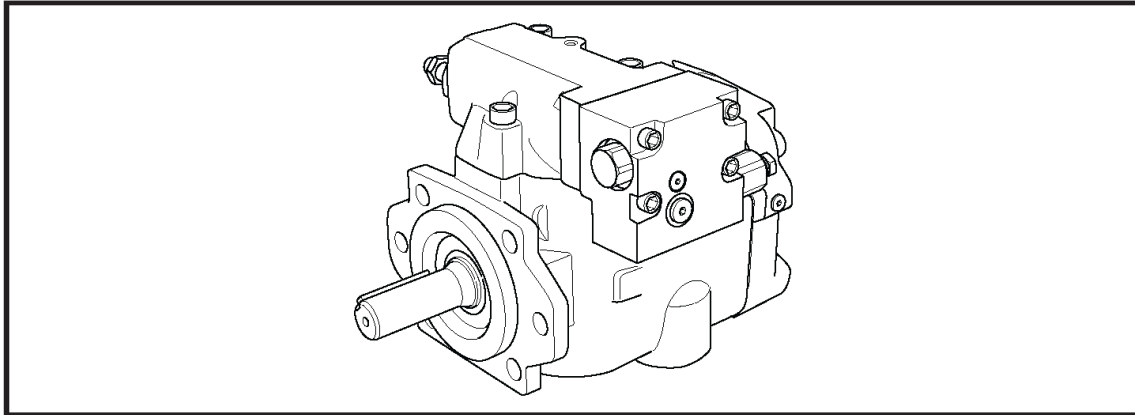


Figure 1. Typical Oilgear "PVG" Open Loop Pump

**PURPOSE OF INSTRUCTIONS**

These instructions will simplify the installation, operation, maintenance and troubleshooting of Oilgear type "PVG" pumps.

Become familiar with the construction, principle of operation and characteristics of your pump to help you attain satisfactory performance, reduce shut-down and increase the pump's service life. Some pumps have been modified from those described in this bulletin and other changes may be made without notice.

**REFERENCE MATERIAL**

Fluid Recommendations .....	Bulletin 90000
Contamination Evaluation Guide.....	Bulletin 90004
Filtration Recommendations .....	Bulletin 90007
Piping Information .....	Bulletin 90011

**Pump Control Instructions**

"P-1NN" Pressure Compensator .....	Data Sheet 947541
"P-1NN/F" Pressure Compensator w/Load Sense .....	Data Sheet 947542
"P-1NN/H" Pressure Compensator w/H.P. Limited .....	Data Sheet 947543
"P-1NN/G" Horsepower Limit w/Load Sense .....	Data Sheet 947544
"P-2 -" Dual Pressure Compensator .....	Data Sheet 947545
"P-A" and "P-B" Electrohydraulic Proportional Pressure Compensator .....	Data Sheet 947546
"P-C -" Soft Starting .....	Data Sheet 947547
"V-S" Electrohydraulic Servo Valve w/o Amplifier .....	Data Sheet 947719
"V-A" Electrohydraulic Servo Valve w/Amplifier .....	Data Sheet 947720

## Safety First

Read and understand this entire instruction sheet before repairing, or adjusting your Oilgear product.

Those who use and maintain this equipment must be thoroughly trained and familiar with the product. If incorrectly used or maintained, this product and its equipment can cause severe injury.

### SAFETY SYMBOLS

The following signal words are used in this instruction sheet to identify areas of concern where your safety may be involved. Carefully read the text and observe any instructions provided to ensure your safety.

#### **DANGER**

THIS SIGNAL WORD INDICATES AN IMMEDIATELY HAZARDOUS SITUATION WHICH, IF NOT AVOIDED, WILL RESULT IN DEATH OR SERIOUS INJURY.

#### **WARNING**

This signal word indicates a potentially hazardous situation which, if not avoided, could result in death or serious injury.

#### **CAUTION**

This signal word indicates that a potentially hazardous situation exists which, if not avoided, may result in damage to equipment or minor personal injury.

#### **NOTE**

*While not directly relevant to the topic being discussed, the NOTE is used to emphasize information provided, or provide additional information which may be of benefit.*

#### **WARNING**

This service information is designed for the maintenance of your Oilgear product. It contains the information on the correct procedures determined by Oilgear for the safe manner of servicing. Always keep this instruction sheet in a location where it is readily available for the persons who use and maintain the product. Additional copies of this instruction sheet are available through the Oilgear Company. (Contact phone number.) Or visit our website: [www.oilgear.com](http://www.oilgear.com). Please contact us if you have any questions regarding the information in this instruction bulletin.

#### **NOTE**

*The cleanliness of working on this pump or the hydraulic system is extremely important to the safety and reliability of the pump and the system. Always make sure the fittings are clean on the outside before removing them from their connections, are capped and plugged when removed and placed in a clean rag or container until they are reinstalled.*

#### **WARNING**

Some service operations may require special tools or equipment. If you require information on these items, please contact Oilgear before attempting these repairs and service operations.

#### **WARNING**

Read, understand, and follow the safety guidelines, dangers, and warnings contained in this instruction sheet to promote reliable operation and prevent serious personal injury.

#### **WARNING**

DO NOT attempt to service this machinery in an environment where safety regulations are not established and in place.

#### **WARNING**

DO NOT operate the hydraulic system if a leak is present. Serious injury may result.

#### **WARNING**

Hydraulic systems operate under very high pressure. Hydraulic fluid escaping from a pressurized system can penetrate unprotected body tissue. DO NOT inspect for hydraulic leaks with bare hands or other exposed body parts. As a minimum, wear leather gloves prior to inspecting for leaks and use cardboard or wood. If leaks are present, relieve pressure and allow system to cool prior to servicing. If injured by escaping hydraulic oil, contact a physician immediately. Serious complications may arise if not treated immediately. If you have questions regarding inspecting for hydraulic leaks, please contact Oilgear prior to servicing.

**⚠ WARNING**

Hydraulic hoses and tubing must be inspected on a daily basis for leaks, cuts, abrasions, damage and improper clearance along any mounting frame for hidden damage before the unit is put into service. Replace damaged hoses or hoses you suspect are damaged before the system is returned to service! Hoses must be replaced every two years. Failure to properly inspect and maintain the system may result in serious injury.

**⚠ WARNING**

Hydraulic systems are hot. DO NOT TOUCH! Serious personal injury may result from hot oil. When you have completed working on the hydraulic system, thoroughly clean any spilled oil from the equipment. Do not spill any hydraulic fluids on the ground. Clean any hydraulic fluids from your skin as soon as you have completed maintenance and repairs. Dispose of used oil and system filters as required by law.

**⚠ WARNING**

Use correct hoses, fittings, and adapters with the correct SAE rating when replacing hoses to prevent possible serious injury. Always replace hoses, fittings, and adapters with replacements that have a proper, suitable, working pressure rating. Replacement hoses must be of the correct length and must comply with the hose manufacturer's and Oilgear's installation guidelines and recommendations.

**⚠ WARNING**

Hydraulic hoses have the SAE ratings marked on the hose to assist you in selecting the correct hose. The same manufacturer must supply any replacement hydraulic hoses and fitting assemblies. As an example: Brand "X" hose and brand "Y" fitting will not normally be compatible. No "Twist" is allowed in the hydraulic hoses. "Twist" may result in premature hose failure. This can cause serious injury. Please contact Oilgear for assistance when required.

**⚠ WARNING**

Hydraulic cylinders can be holding a function in a certain position when the pump is OFF. An example of this is a function being held in the lift or partial lift position by the cylinders. If a hydraulic line is removed or the hydraulic circuits or controls are being worked on, gravity may allow the function being held in position to drop. All workers and personnel must remain clear of these areas when working on or operating the hydraulic system. Block and secure all devices and functions which apply before beginning work or operation. Failure to comply with this can result in serious injury or death.

**⚠ WARNING**

Any hydraulic pipe which is replaced must conform to SAE J1065 specifications. If incorrect hydraulic pipe is installed, the hydraulic system may fail, causing serious injury. Damaged or leaking fittings, pipes or hoses must be replaced before the system is returned to service.

**⚠ WARNING**

DO NOT heat hydraulic pipe. The carbon content of this steel tube is such that if heated for bending, and either water or air quenched, the pipe may lose its ductility and thereby be subject to failure under high pressure or hydraulic chock conditions. Serious injury can result. Damaged or leaking pipes must be replaced before the system is returned to service. Please contact Oilgear if you require assistance or have questions.

**⚠ WARNING**

All hydraulic pressure must be relieved from the hydraulic system prior to removing any components from the system. To relieve the hydraulic pressure from the hydraulic system, turn off the motor and operate the control panel with the key in the ON position. Failure to comply can result in serious injury. If you have any questions concerning relieving the hydraulic pressure from the system, please contact Oilgear.

### **WARNING**

Hydraulic components can be heavy. Use caution while lifting these components. Serious personal injury can be avoided with proper handling of the components.

### **WARNING**

Please contact Oilgear if you require assistance, when performing hydraulic test procedures, use the proper hydraulic gauges. Installing an incorrect test gauge could result in serious injury if the gauge fails. Use properly rated hydraulic hoses to allow the test gauge to be read away from moving parts and functions.

### **WARNING**

Increasing hydraulic pressure beyond the recommendations may result in serious damage to the pump and system or serious personal injury and may void the Oilgear Warranty. If you have questions concerning hydraulic pressures or testing procedures, please contact Oilgear before attempting the test procedures or making adjustments.

### **WARNING**

An Oilgear pump must not be modified in any way without authorization from Oilgear. Modifications may not comply with safety standards, including ANSI safety standards, and may result in serious personal injury. Please contact Oilgear if you require assistance.

### **WARNING**

DO NOT enter under hydraulic supported equipment unless they are fully supported or blocked. Failure to follow this procedure can result in serious injury or death.

### **WARNING**

Any Oilgear pump safety decals must be replaced anytime they are damaged, missing, or cannot be read clearly. Failure to have proper decals in place can result in serious injury or death. (If you require safety decals, please contact Oilgear for replacement safety decals, at no charge.)

### **WARNING**

Be sure everyone is clear of the area around the hydraulic system before operating after servicing. Remain attentive at all times when operating to check your work until you are completely sure it is safe to return to service. Failure to heed this warning may result in serious personal injury or death.

### **WARNING**

Wear the proper protective clothing when operating, servicing or maintaining the hydraulic system or the Oilgear pump. Wear the correct protective gear, safety glasses, gloves, and safety shoes. Serious injury can result without proper protective gear.

### **WARNING**

Make sure to keep hands and feet and other parts of your body clear of revolving or moving parts. Failure to comply can cause serious injury.

### **WARNING**

DO NOT wear watches, rings, or jewelry while working with electrical and mechanical equipment. These items can be hazardous and can cause serious and painful injuries if they come into contact with electrical wires, moving parts, or hydraulic equipment.

## PREPARATION AND INSTALLATION

### MOUNTING

**Pump Without Reservoir** - The pump can be mounted in any position. But, the recommended mounting position is with the drive shaft on a horizontal plane and the case drain port 1 on the top side. Secure the pump to a rigid mounting surface. Refer to the referenced Oilgear Piping Information Bulletin 90011.

**Pump With Reservoir** - These pumps are usually fully piped and equipped. It may be necessary to connect to a super-charge circuit when used. Mount reservoir on level foundation with the reservoir bottom at least six inches above floor level to facilitate fluid changes.

### PIPING AND FITTINGS

Refer to the referenced Oilgear Piping Information Bulletin 90011 and individual circuit diagram before connecting the pump to the system. Inlet velocity must not exceed 5 fps (1,5 mps). Inlet should be unrestricted and have a minimum of fittings.

#### NOTE

*DO NOT use an inlet strainer.*

Arrange line from "case drain" so the case remains full of fluid (non-siphoning). Case pressure must be less than 25 psi (1,7 bar). For higher case pressures and the special shaft seals required, contact our Customer Service. Each drain line must be a separate line, unrestricted, full sized and connected directly to the reservoir below the lowest fluid level. Make provisions for opening this line without draining (siphoning) reservoir.

### WARNING

Running the pump in NEUTRAL position (zero delivery) for extended periods without a supercharge circuit can damage the pump. The system and pump must be protected against overloads by separate high pressure relief valves. Install bleed valve(s) at the highest point(s) in system.

### POWER

Power is required in proportion to volume and pressure used. Motor size recommendations for specific applications can be obtained from The Oilgear Company. Standard low starting torque motors are suitable for most applications.

### CAUTION

**DO NOT start or stop unit under load unless system is approved by Oilgear. It may be necessary to provide delivery bypass in some circuits.**

### DRIVE

Verify rotation direction plate on the pump's housing. Clockwise pumps must be driven clockwise and counterclockwise pumps must be driven counterclockwise. Use direct drive coupling. Size and install coupling per manufacturer's instructions.

### CAUTION

**DO NOT drive the coupling onto the pump drive shaft. If it is too tight, it may be necessary to heat coupling for installation. Refer to manufacturer's instructions.**

Misalignment of pump shaft to driver's shaft should not exceed 0.005 inches (0,13 mm) Total Indicator Readout (TIR) in any plane.

## FILTRATION

Keep the fluid clean at all times to ensure long life from your hydraulic system. Refer to the referenced Oilgear Filtration Recommendations bulletin 90007 and Oilgear Contamination Evaluation Guide Bulletin 90004. Oilgear recommends use of a filter in the pressure or return line. Replace filter element(s) when the filter condition indicator reaches change area at normal fluid temperature. Drain and thoroughly clean filter case. Use replacement element(s) of same beta 10 ratio (normally a ratio of 4 with hydraulic oils).

## FLUID COOLING

When the pump is operated continuously at the rated pressure or frequently at peak load, auxiliary cooling of the fluid may be necessary. Fluid temperature should not exceed limits specified in the referenced Oilgear Fluid Recommendations Bulletin 90000.

## AIR BREATHER

On most installations, an air breather is mounted on top of fluid reservoir. It is important for the breather to be the adequate size to allow air flow in and out of reservoir as fluid level changes. Keep the breather case filled to the "fluid level" mark. About once every six months, remove cover, wash screen in solvent and allow screen to dry, clean and refill case to level mark and install screen. Refer to the manufacturer's recommendations.

## FLUID, FILLING AND STARTING RECOMMENDATIONS

Refer to instruction plate on the unit, reservoir, machine and/or reference, Fluid Recommendations bulletin. Fire resistant fluids and phosphate ester fluids can be used in accordance with fluid manufacturer's recommendations.

1. Pump all fluid into reservoir through a clean (beta 10 ratio of 4 or more) filter. Fill reservoir to, but not above, "high level" mark on the sight gauge.
2. **Remove case drain line and fill pump case with hydraulic fluid.**
3. Turn drive shaft a few times by hand with a spanner wrench to make sure parts rotate.

Unit	048/065/075/100/130
Approximate Torque to turn drive shaft	9-24 ft•lb (12-32 N•m)

**Table 1. Torque to Turn Shaft**

With pump under "no load" or with pump control at NEUTRAL:

4. Turn drive unit ON and OFF several times before allowing pump to reach full speed. The system can usually be filled by running the pump and operating the control.
5. The fluid level in the reservoir should decrease. Stop the pump. **DO NOT** allow the fluid level to go beyond the "low level." If the level reaches "low level" mark, add fluid and repeat step.

### NOTE

*With differential (cylinder) systems, the fluid must not be above "high level" when the ram is retracted or below "low level" when extended. Bleed air from the system by loosening connections or opening petcocks at the highest point in the system. Close connections or petcocks tightly when solid stream of fluid appears.*

## CONSTRUCTION

See Figures 2, 8 and 9.

1. A drive shaft (301) runs through the center line of pump housing (001) and valve plate (401) with the pump cylinder barrel (101) splined to it.
2. A bearing (306) supports the outboard end of the drive shaft and a bushing supports the inboard end. (The bushing is part of valve plate assembly.)
3. The pump cylinder barrel is carried in a polymerous (journal type) cylinder bearing (202).
4. The valve plate (401) has two crescent shaped ports.
5. The pumping piston/shoe assemblies (102) in the cylinder barrel are held against a swashblock (201) by a shoe retainer (104).
6. The shoe retainer is held in position by the fulcrum ball (103) which is forced outward by the shoe retainer spring (105).
7. The spring acts against the pump cylinder barrel, forcing it against the valve plate while also forcing the piston shoes against the swashblock.
8. The semi-cylindrical shaped swashblock limits the piston stroke and can be swiveled in arc shaped saddle bearings (204).
9. The swashblock is swiveled by a control (included in referenced material). Refer to PRINCIPLE OF OPERATION.

## SPECIFICATIONS

**NOTE** Refer to reference material, pump control material and individual application circuit for exceptions.

Unit	THEORETICAL MAXIMUM DISPLACEMENT		RATED CONTINUOUS PRESSURE		MAXIMUM PRESSURE		FLOW RATE at 1800 rpm rated continuous pressure and 14.7 psia (bar abs) inlet condition		MAXIMUM SPEED	POWER INPUT at rated continuous pressure & 1800 rpm	
	in 3/rev	ml/rev	psi	bar	psi	bar	gpm	l/mi	rpm	hp	kw
PVG 048	2.93	48,0	5000	344,8	5800	400,0	21.1	79,9	2700	73	54,5
PVG 065	3.98	65,0	5000	344,8	5800	400,0	28.8	108,9	2700	100	74,6
PVG 075	4.60	75,4	3750	258,6	4250	293,1	33.3	126,0	2700	89	66,4
PVG 100	6.00	98,3	5000	344,8	5800	400,0	42.4	160,5	2400	150	111,9
PVG 130	7.94	130,2	3750	258,6	4250	293,1	57.6	218,0	2400	150	111,9

Case pressure should be less than 25 psi (1,7 bar). For higher pressure, consult factory.  
Higher speeds available - consult factory.

**Table 2. Nominal Performance Data with 150–300 SSU viscosity fluids.**

Unit	Length		Width		Height		Weight		Face Mounting
	inches	mm	inches	mm	inches	mm	lbs.	kg	
PVG 048, 065, 075	12.0	303,0	6.9	174,5	6.3	160,4	68*	31	SAE "B" 2 and 4 bolt
PVG 100, 130	13.0	330,5	8.4	212,9	7.3	185,7	110*	50	SAE "C" 2 bolt

All dimensions (without controls) are approximate. For detailed dimensions, contact your Oilgear Representative.

\* Weight with P Control and rear port valve plate

**Table 3. Nominal Dimensions and Weights without controls.**

Refer to installation drawings for more detailed dimensions and port configurations.

## TROUBLESHOOTING

PROBLEM	CAUSES	REMEDY
<b>Unresponsive or Sluggish Control</b>	Low control input (pilot) pressure for "R" and "V" volume type controls only.	Refer to referenced control instruction material.
	Swashblock saddle bearings (204) worn or damaged.	Inspect bearings. Replace.
<b>Insufficient Pump Volume</b>	Delivery limited by faulty control	Refer to appropriate control instruction material.
	Obstructed suction circuit or insufficient supercharge volume.	Inspect for obstruction and verify supercharge.
	Insufficient drive motor speed.	Refer to appropriate power material.
	Worn or grooved cylinder barrel (101) and/or valve plate (401) mating surfaces.	Inspect components. Replace.
	Worn piston/shoe assemblies (102) or piston bores in cylinder (101).	
Worn or damaged piston shoe or swashblock (201).		
<b>Irregular or Unsteady Operation</b>	Faulty control.	Inspect components. Replace.
	Fluid level in reservoir is low or supercharge is insufficient.	Verify fluid level and/or supercharge.
	Air entering hydraulic system.	Inspect system for leak.
	Worn axial piston pump.	Inspect components. Replace.
<b>Loss of Pressure</b>	Faulty output circuit components (cylinder, motors, valves or other related components).	Inspect components. Replace.
	Worn piston pump.	Inspect components. Replace.
	Worn or grooved cylinder barrel (101) and/or valve plate (401) mating surfaces.	
	Worn piston/shoe assemblies (102) or piston bores in cylinder.	
Faulty output circuit components.		
<b>Excessive or High Peak Pressure</b>	Faulty output circuit components.	Check the relief valves.
<b>Excessive Noise</b>	Pump stopped or started incorrectly under load.	Verify operation procedure of pump.
	Low fluid level in reservoir or insufficient supercharge causing cavitation.	Verify fluid level and/or supercharge.
	Air entering hydraulic system.	Inspect system for leak.
	Fluid too cold or viscosity too high.	Verify fluid temperature and/or type.
	Suction line problem i.e.; obstructions in line, line too long, line diameter too small or too many bends and/or loops in line.	Inspect line and for obstruction.
	Broken or worn piston/shoe assembly (102).	Inspect components. Replace.
Pump rotating in wrong direction.	Inspect operation direction of pump.	
<b>Excessive Heating</b>	Operating pump above rated or peak pressure.	Verify pump limitations.
	Low fluid level in reservoir or insufficient supercharge.	Verify fluid level and/or supercharge.
	Air entering hydraulic system.	Inspect system for leak.
	Worn piston pump.	Inspect components. Replace.
	Worn or grooved cylinder barrel (101) and/or valve plate (401) mating surfaces.	
	Faulty output circuit components (continuous blowing relief valves or "slip" through valves, cylinder or other components).	
Insufficient cooling provision or clogged coolers.	Inspect for obstruction.	



## PRINCIPLE OF OPERATION

The illustrations show the pump driven clockwise (right hand) from the top (plan) view.

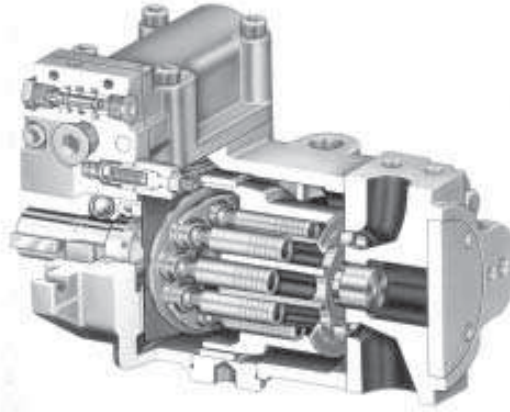


Figure 2. Cut-a-way of a Typical "PVG" Pump (92011R)

### Position B, Pump During Full Delivery FROM PORT B - Figure 3

Rotating the drive shaft (301) clockwise turns the splined cylinder, which contains the pumping pistons (102). When the cylinder rotates, the pistons move in and out within their bores as the shoes ride against the angled (C) swashblock (201).

As the cylinder rotates, the individual piston bores are connected, alternately, to the crescent shaped upper (port A) and lower (port B) in the valve plate. While connected to the upper side (suction) port A, each piston moves outward **OUT**, drawing fluid from port A into the piston bore until its outermost stroke (D) is reached. At this point, the piston bore passes from the upper crescent port A to the lower crescent port B.

While rotating across the lower crescent, each piston moves across the angled swashblock face and then each piston is forced inward **IN**. Each piston then displaces fluid through the lower crescent to port B until its innermost stroke (D) is reached. At this point, the piston bore passes from the lower to the upper crescent again and the cycle is repeated.

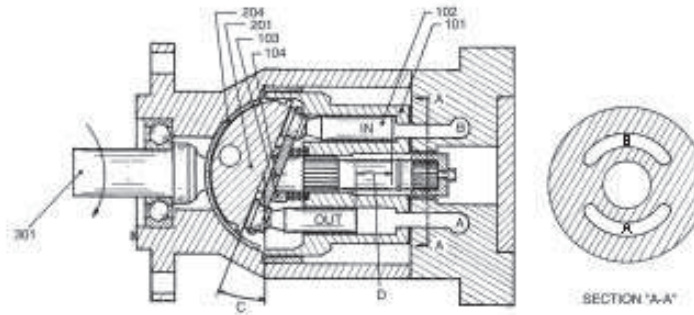


Figure 3. Position B, Pump During Full Delivery From Port B

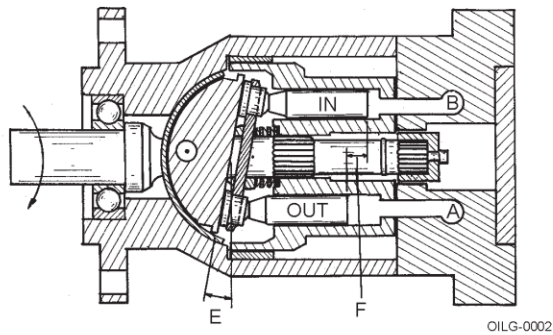
**Position B/2, Pump During One Half Delivery FROM PORT B - Figure 4**

This illustration shows that the angle (E) of the swashblock determines the length of the piston stroke (F), (the difference between outermost and innermost position) which determines the amount of delivery from the pump. In this case, the stroke angle (E) is one-half of the stroke, which means the piston stroke is one-half and the pump delivery is one-half.

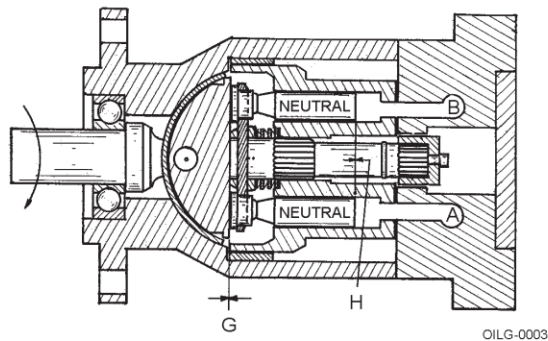
**Position N, Pump In Neutral, No Stroke, No Delivery - Figure 5**

Neutral position results when the control centers the swashblock. The swashblock angle (G) is now zero and swashblock face is parallel to the cylinder face. There is no inward or outward motion of the pump pistons as piston shoes rotate around the swashblock face. With no inward and outward motion or no stroke (H), **NEUTRAL** no fluid is being displaced from the piston bores to the crescents in the valve plate and there is no delivery from pump ports.

**NOTE** *Illustration reference numbers match the part item number in the parts list.*



**Figure 4. Position B/2, Pump During One Half Delivery From Port B**



**Figure 5. Position N, Pump In Neutral, No Stroke, No Delivery**

Refer to **SPECIFICATIONS**

## TESTING AND ADJUSTING

### **WARNING**

Shut the pump OFF and release pressure from the system before disassembling components. Failure to comply with these instructions could result in personal injury or death. Blocking the pressure line between the pump and the system (or pump) high pressure relief valve will result in damage and could result in serious personal injury.

### PISTON PUMP

To check for a worn piston pump, make a leak measurement test from the case drain while the pump is under pressure. After the unit is warm, either install a flow meter in the drain line or have the flow from the drain line directed into a large container or reservoir. The pump case must remain full of fluid during this test.

### **CAUTION**

**DO NOT** run a pump on stroke against a blocked output unless it is protected by a high pressure relief valve and then run no longer than necessary to check slip. Limit discharge to prevent dropping reservoir fluid below low level.

With an accurate high pressure gauge in the pressure line, start the pump and stall (or block) output device to raise system pressure to maximum (as set by system relief valve). Read the measurement on the flow meter or time and measure the case drain flow used to fill a known size container and calculate the flow rate in terms of cubic inches per minute (cipm). The leakage should conform to Table 4.

**NOTE** *Additional leakage indicates wear, but does not become critical until it impairs performance.*

## DISASSEMBLY

**NOTE** *The cleanliness of working on this pump or the hydraulic system is extremely important to the safety and reliability of the pump and the system.*

*When disassembling or assembling the pump, choose a clean, dry, dust and sand free area where no traces of abrasive particles are in the air which can damage the pump and system. DO NOT work near welding, sandblasting, grinding benches or similar conditions.*

*Always make sure the fittings are clean on the outside before removing them from their connections. Make sure they are capped and plugged when removed. Place them on a clean surface and in a clean rag or container until they are reinstalled. When cleaning parts which have been disassembled, it is important to use CLEAN cleaning solvents and parts are allowed to dry. All tools and gauges should be clean prior to working with the system and use new, CLEAN lint free rags to handle and dry parts.*

### **WARNING**

**DO NOT** attempt to remove or install any components or assembly while the pump and system is running. Always stop the pump, shut OFF the power and release pressure from the system before servicing or testing. Be sure provisions have been made so the case drain line can be disconnected from the unit without causing the line to drain (siphon) the reservoir.

(continued)

## DISASSEMBLY (Continued)

1. Disconnect case drain line from port 1 or 1A.
2. Drain pump case through the remaining (port 1 or 1A) on the bottom of case. If plugs are inaccessible, it may be necessary to remove the pump from the mounting and drive motor before draining it.
3. After removing the pump from the mounting and before disassembly, cap or plug all ports and clean the outside of unit thoroughly to prevent dust from entering the system. See Figures 9 and 10.

### NOTE

*Depending on what part or parts are to be inspected, it may not be necessary to completely take apart all assemblies.*

## CONTROL GROUP

Refer to the reference material for the information which applies to the control your pump is equipped with. Some force is required to remove the control housing.

1. Remove socket head cap screws.
2. Lift the control group assembly, with control pin, straight up from the top of the pump assembly. The control pin may or may not remain in the swashblock (201).
3. Remove control gasket and O-rings from the pump housing.

## VALVE PLATE GROUP

If another pump is coupled to thru-shaft pumps, it will be necessary to remove coupling half before removing valve plate.

1. Block the pump on a bench with the drive shaft facing down.
2. Remove the valve plate (401) by removing four hex head cap screws (403) and lifting it straight up.
3. Remove valve plate gasket (411) and O-ring (404).

Unit - Size		Case Slip at Full Stroke and Indicated Pressure						
		500 psi	1000 psi	2000 psi	3000 psi	3750 psi	4000 psi	5000 psi
048, 065, 075	cipm	130	195	455	760	1070	N/A	N/A
	lpm	2,1	3,2	7,5	12,5	17,5	N/A	N/A
100	cipm	190	250	400	600		900	1200
	lpm	3,1	4,1	6,5	9,8		14,7	19,7
130	cipm	300	400	600	1000	1400	N/A	N/A
	lpm	4,9	6,6	9,8	16,4	22,9	N/A	N/A

**Table 4. NOMINAL CASE SLIP versus High Pressure at 1800 rpm  
(Viscosities of 90-110 SSU)**

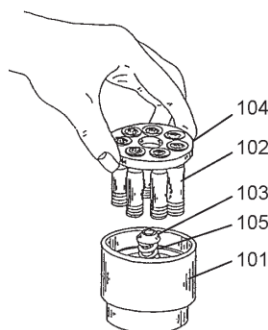
## ROTATING GROUP

### **⚠ WARNING**

The rotating group is heavy. Be careful not to damage cylinder wear surface which mates against the valve plate, bearing diameters or piston shoes. Use proper lifting techniques and assistance from others to prevent personal injury.

On thru-shaft pumps, the tailshaft bushing assembly (307, 308, 309) or a coupling will have to be removed (a "jacking" screw can be used) before the rotating group can be disassembled.

1. Place the pump in a horizontal position.
2. Remove the rotating group by turning shaft (301) slowly, while pulling the cylinder barrel (101) from the housing.
3. Identify (number) each pump piston shoe assembly (102) and its respective bore in the cylinder barrel (101) and shoe retainer (104) for easy reassembly.
4. See Figure 6. Lift out shoe retainer (104) with pistons (102) and remove the fulcrum ball (103) and shoe retainer spring (105).



**Figure 6. Rotating Group Disassembly (5V-12015-L).**

5. Remove retaining ring (208) and pull the hydrodynamic bearing (202) and roll pins, if necessary, (205) from the housing. Note the position of roll pin (205) inside of case.

## DRIVE SHAFT GROUP

1. Remove the drive key (303), if used and the drive shaft bearing retainer ring (305).
2. Grasp outboard end of drive shaft (301) and pull it out of the pump housing.
3. Remove the shaft seal retainer (302) and shaft seal (007) from the housing only if necessary.

## SWASHBLOCK GROUP

On 100/130 remove guide plate (203) and (206) first. Reach inside the case and remove the swashblock (201) and saddle bearings (204).

## INSPECTION

Clean all parts thoroughly and allow them to dry. Inspect all seals and O-rings for hardening, cracking or deterioration. Replace if necessary or if you suspect damage. Check all locating pins for damage and springs for cracking or signs of cracking or signs of wear.

### **⚠ WARNING**

Wear proper protective gear when using solvents or compressed air, servicing or maintaining the hydraulic system or the Oilgear pump. Wear correct protective gear, safety glasses, gloves, and safety shoes. Serious injury can result without proper protective gear.

## CONTROL GROUP

Refer to the reference material on pump controls. Be sure to carefully check the control pin for cracks and/or signs of fatigue. Check fit of the pin in the swashblock. It should be a slip-fit without side-play. Replace if necessary or if you suspect damage.

## VALVE PLATE GROUP

Inspect the valveplate (401) surface which mates with the cylinder barrel (101) for excessive wear or scoring. Remove minor defects by lightly stoning the surface with a hard stone which is flat to within 0.001 inches (0,03 mm).

**NOTE** *Be sure to stone lightly. Any excessive stoning will remove the hardened surface. If wear or damage is extensive, replace the valve plate.*

## ROTATING GROUP

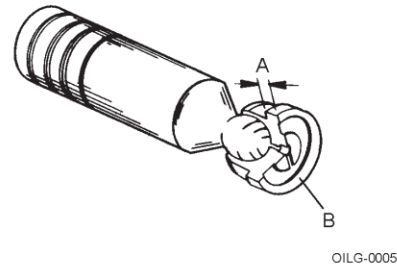
Inspect cylinder barrel (101) piston bores and the face which mate with the valve plate for wear and scoring. Remove minor defects on the face by lightly stoning or lapping the surface.

Inspect the cylinder bearing (202) for damage and replace if necessary. Check all piston and shoe assemblies (102) to be sure they ride properly on the swashblock.

**NOTE** *Be sure to stone lightly. Any excessive stoning will remove the hardened surface. If wear or damage is extensive and defects cannot be removed, replace the cylinder barrel.*

See **Figure 7**. Check each shoe face for nicks and scratches, and the shoe for smooth pivot action on the piston.

**NOTE** *If one or more piston/shoe assembly needs to be replaced, replace all the piston/shoe assemblies. When installing new piston/shoe assemblies or the rotating group, make sure the pistons move freely in their respective bores.*



**Figure 7. Piston and Shoe Inspection (5V-12015-L)**

- (A) All shoes must be equal within 0.001 inches (0,025 mm) at this dimension.
- (B) All shoe faces must be free of nicks.

**NOTE** *End play should not exceed 0.003 inches (0,076 mm) when new or 0.006 inches (0,152 mm) when worn.*

## SWASHBLOCK GROUP

Inspect the swashblock (201) for wear and scoring. If defects are minor, stone the swashblock lightly. If damage is extensive, replace the swashblock.

Check the small hole in the face of the swashblock. The hole provides "porting" for the hydrostatic balance fluid of the piston/shoe assembly to be channeled through the swashblock to the face of the saddle bearing, providing pressure lubrication.

Compare the saddle bearing (204) thickness in a worn area to thickness in an unworn area. Replace saddle bearings if the difference is greater than 0.015 inches (0,4 mm).

Check the mating surface of swashblock for cracks or excessive wear. The swashblock movement in the saddle bearings must be smooth. Replace if necessary.

**NOTE** *Be sure to stone lightly. Any excessive stoning will remove the hardened surface. If wear or damage is extensive and defects cannot be removed, replace if necessary or if you suspect them of being bad.*

## DRIVE SHAFT GROUP

Check:

- the shaft seal (007) for deterioration or cracks. Replace if necessary (press-out).
- the shaft bearing (306) for galling, pitting, binding or roughness.
- the rear shaft bushing in valve plate.
- the shaft and its splines for wear. Replace any parts necessary.

## ASSEMBLY

See Figures 8, 9 and 10. Follow the disassembly procedures in reverse for re-assembling the pump.

During assembly, install new gaskets, seals and O-rings. Apply a thin film of CLEAN grease or hydraulic fluid to sealing components to ease assembly. If a new rotating group is used, lubricate thoroughly with CLEAN hydraulic fluid. Apply fluid generously to all wear surfaces.

## SWASHBLOCK GROUP

If removed,

1. Press shaft seal (007) into front of pump housing.
2. Place housing on a bench with the mounting flange side down.
3. Press the two roll pins (207) (if they are replaced or removed) into the pump housing so the pins extend 0.050 to 0.065 inches (1,3 to 1,6 mm) from the case.
4. Grease the back side of each saddle bearing (204) and place on the pin to locate the bearings in the pump case. Make sure the pins do not protrude.
5. PVG 100 and 130, the swashblock is inserted from the valve plate end. PVG 048, 065 and 075, the swashblock is inserted through the control mounting face. Insert swashblock (201) into the pump housing. Once in place, be sure the swashblock swivels in the saddle bearings. With new bearings, swiveling may be stiff and not always smooth. PVG 110, 130; assemble (203) and (206).

6. Make sure the roll pin (205) is inserted into the cylinder bearing (202). Position the cylinder bearing so the pin is located nearest the control facing the outboard end of the drive shaft (301). The bearing should be positioned with "scarf" cuts (PVG 130 only) positioned top and bottom and with the pin (205) located on top of internal cast boss. The bearing should fit into place with a little difficulty and be square to the axis of the pump.
7. Tap bearing into place if necessary using extreme care not to damage the bearing.
8. Insert retaining ring (208) to hold bearing in place.

## DRIVE SHAFT GROUP

1. Place the housing on its side with the axis horizontal.
2. Install the seal retainer (302).
3. Lubricate the shaft seal (007) and shaft.
4. Insert the drive shaft (301) and bearing assembly into the housing.
5. Lock in place with the drive shaft bearing retainer ring (305).

## ROTATING GROUP

See Figure 6.

1. Place the cylinder barrel (101), wear surface down, on a clean cloth.
2. Place the shoe retainer spring (105) in the center of the barrel with the fulcrum ball (103) on top of it.
3. Insert the identified pistons (102) into their corresponding identified holes of the shoe retainer (104). As a unit, fit the pistons into their corresponding, identified bores in the cylinder barrel. **DO NOT FORCE.** If everything is aligned properly, the pistons will fit smoothly.

**⚠ WARNING**

The rotating group weight is heavy. Be careful not to damage cylinder wear surface which mates against the valve plate, bearing diameters or piston shoes. Use proper lifting techniques and assistance from others to prevent personal injury.

The rotating group can now be carefully installed over the tail of the drive shaft (301) and into the pump housing (001).

**NOTE** When installing the rotating group, support the weight of the cylinder barrel (101), as cylinder spline is passed over the tailshaft, to avoid scratching or damage.

4. Push cylinder forward until the cylinder spline reaches the drive shaft spline and rotate slightly to engage shaft splines. Continue to slide cylinder forward until it encounters the cylinder bearing (202). Lifting the tailshaft slightly helps the cylinder (101) and the cylinder bearing (202) engagement. Continue pushing the cylinder forward until the piston shoes contact the swashblock, the back of the cylinder should be located approximately 0.4 inches (10,2 mm) outside the back of the pump housing.

**NOTE** On thru-shaft pumps without another pump or device connected to them, slide assembly onto the shaft (301) and secure cap assembly (307, 309) in with socket head shoulder screw (308).

**VALVE PLATE GROUP**

1. Place the pump housing on a bench with the open end facing up.
2. Install new O-ring (411) and gasket (407) on the housing.
3. Position the valve plate (401) on pins (005) and housing. Make sure the tail end of shaft engages the bushing.
4. Hand-tighten the hex head cap screw (403) closest to O-ring (404) first, then alternately tighten the other cap screws. On thru-shaft units connected to another pump or device, install coupling (half).

Refer to **PREPARATION and INSTALLATION** when pump is ready to be returned to service.

PVG Assembly Torques		
Item no.	Pump	
	048/065/075	100/130
002	100 ft-lb	100 ft-lb
004	37 ft-lb	37 ft-lb
206	N/A	87 in-lb
308	57 in-lb	57 in-lb
403	100 ft-lb	100 ft-lb
408	45 in-lb	45 in-lb
409	45 in-lb	45 in-lb
410	120 in-lb	120 in-lb
503 cover plate	28 ft-lb	28 ft-lb
503 SAE A or A-A adapt	15 ft-lb	15 ft-lb
503 SAE B adapter	37 ft-lb	37 ft-lb
503 SAE C adapter	N/A	74 ft-lb
507	28 ft-lb	28 ft-lb



## PARTS LIST

Parts used in these assemblies are per Oilgear specifications. Use only Oilgear parts to ensure compatibility with assembly requirements. When

ordering replacement parts, be sure to include pump type and serial number, bulletin number and item number. Specify type of hydraulic fluid to assure seal and packing compatibility.

Item	Qty.	Description
<b>HOUSING ASSEMBLY GROUP</b>		
001	1	Housing, Pump
003	1	Nameplate, Identification
004	1	Plug
005	4	Pin, Roll - 048, 065, 130
005	2	Pin, Roll - 100, 130
006	2	Pin, Roll - 100, 130
007	1	Seal, Shaft
008	2	Screw
010	1	Seal, O-ring
<b>ROTARY ASSEMBLY GROUP</b>		
101	1	Barrel, Cylinder
102	9	Assembly, Piston/Shoe
103	1	Ball, Fulcrum
104	1	Retainer, Shoe
105	1	Spring, Shoe Retainer
<b>SWASHBLOCK ASSEMBLY GROUP</b>		
201	1	Swashblock
202	1	Bearing, Cylinder
203	1	Guide Plate - 100, 130 only
204	2	Bearing, Saddle
205	1	Pin, Roll (2 for PVG 130)
206	2	Screw - 100, 130 only
207	2	Pin, Roll
208	1	Ring, Retainer

**PARTS LIST** drawings on pages 19, 20 and 30.

Parts are common between pumps. Only the differences are shown.

### O-ring Sizes ARP 568 Uniform Size number with Durometer

Item Number	Pump	
	048, 065, 075	100, 130
010	916 - 70	916 - 70
404	012 - 90	013 - 90
405	902 - 90	902 - 90
406	903 - 90	903 - 90
407	904 - 90	904 - 90
413	138 - 70	138 - 70

Item	Qty.	Description
		<b>DRIVE SHAFT ASSEMBLY GROUP</b>
301	1	Drive Shaft
302	1	Retainer, Seal Side
303	1	Key, Drive Shaft (keyed shafts only)
304	1	Ring, Retainer, External
305	1	Ring, Retainer, Internal
306	1	Bearing, Front
307	1	Bushing (used on thru-shaft w/ cover plate)
308	1	Screw (used on thru-shaft w/ cover plate)
309	1	Roll Pin (used on thru-shaft w/ cover plate)
		<b>VALVE PLATE ASSEMBLY GROUP</b>
401	1	Valve Plate w/bearing
403	4	Screw, Socket Head Cap (048, 065, 075)
403	4	Screw, Hex Head Cap (100, 130)
404	1	Seal, O-ring
405	1	Seal, O-ring
406	1	Seal, O-ring (not required for all versions)
407	1	Seal, O-ring
408	1	Plug, #2 HP
409	1	Plug, #3 HP (not required for all versions)
410	1	Plug, #4 HP
411	1	Gasket, Valve Plate

**PARTS LIST** drawings on pages 19, 20 and 30.

Parts are common between pumps. Only the differences are shown.

Parts used in this assembly are per Oilgear specifications. Use only Oilgear parts to ensure the compatibility with the assembly requirements. When ordering replacement parts, be sure to include pump type and serial number, bulletin number and item number. To assure seal and packing compatibility, specify type of hydraulic fluid.

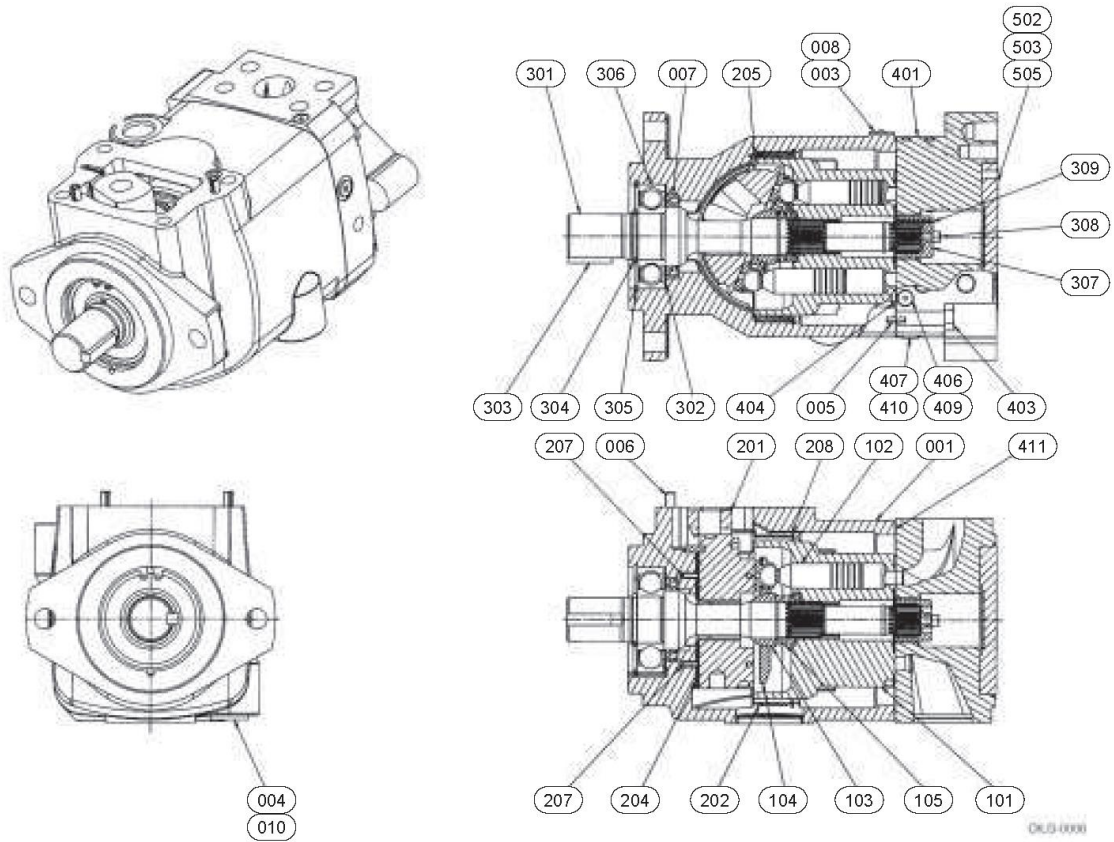


Figure 8. Cross section and plan view parts drawing, PVG 100/130 (516246 sheet 1 of 3).

**NOTE**

*Pins shown out of position. Hydrobearing (202) to be assembled with scarf cuts positioned top and bottom with pins (205), which locate on top of internal cast boss (PVG 130 only).*

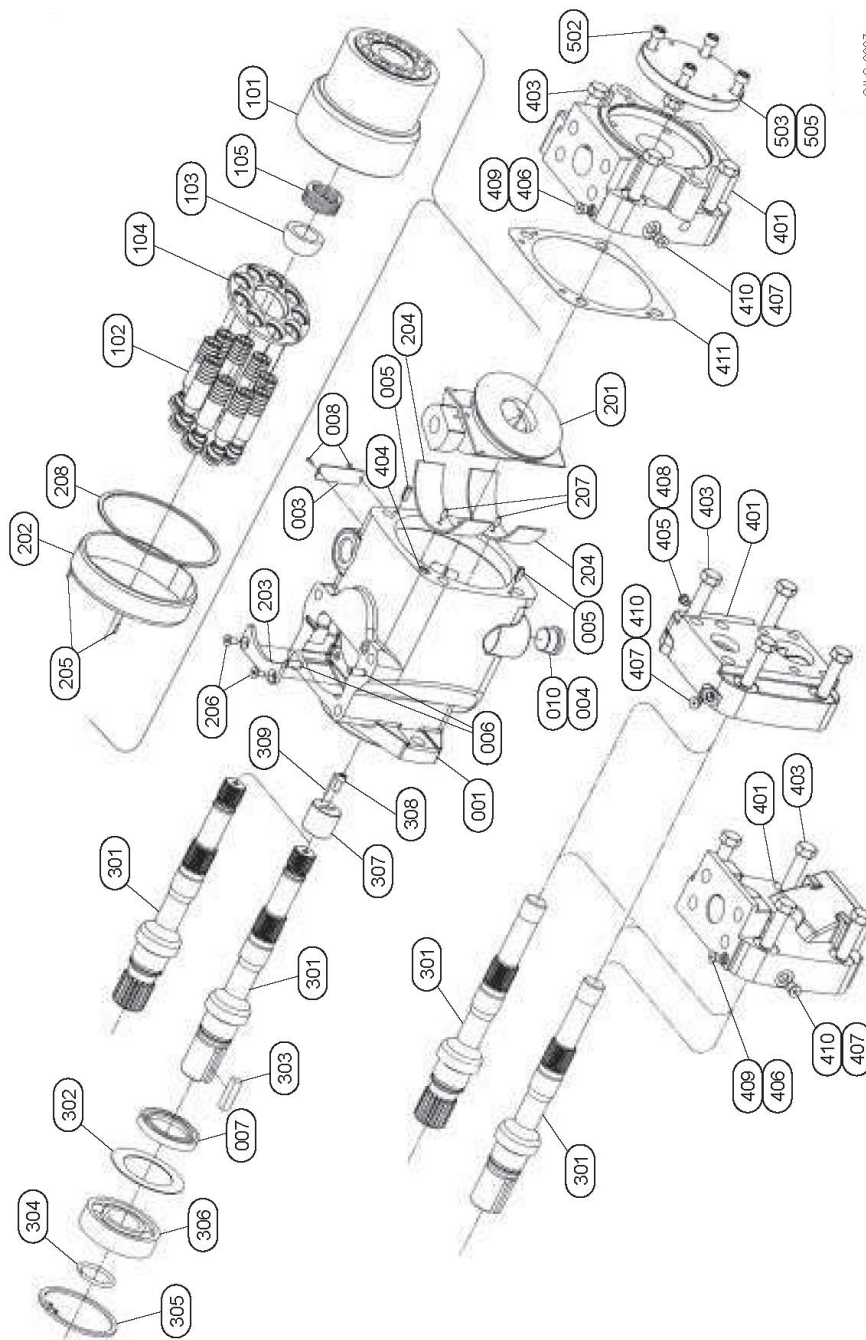


Figure 9. Exploded parts drawing, PVG 100/130 (516246 sheet 2 of 3).

## SERVICE KITS

### PVG B Pump Service Kits

SERVICE KIT Drawings on pages 30 and 31.

Document Number: 517105-SK

Revision: 0 (10-6-03)

Sheet 1 of 3

Description	Kit No.	Design Series	Items Included (quantity is 1 unless noted)
<b>Housing Kits</b>			
Viton Seals	L517105-604	All(A)	001,002,003,004,005(4),007,008(2),010,011,207(2)
Nitrile Seals	L517105-603	All(A)	
EPR Seals	L517105-602	All(A)	
<b>Shaft &amp; Bearing Kits</b>			
Viton or Nitrile seals			
1" Dia. Keyed (Code Y) Std	L517104-301	All	301B,302,303,304,305,306
13T, 16/32 Spline (Code K) Std	L517104-305	All	301C,302,304,305,306
15T, 16/32 Spline (Code S) Std	L517104-302	All	301A,302,304,305,306
1" Dia. Keyed (Code Y) T-S	L517104-303	All	301D,302,303,304,305,306
13T, 16/32 Spline (Code K) T-S	L517104-306	All	301E,302,304,305,306
15T, 16/32 Spline (Code S) T-S	L517104-304	All	301E,302,304,305,306
EPR Seals			
1" Dia. Keyed (Code Y) Std	L517104-313	All	301B,302,303,304,305,306
13T, 16/32 Spline (Code K) Std	L517104-315	All	301C,302,304,305,306
15T, 16/32 Spline (Code S) Std	L517104-317	All	301A,302,304,305,306
1" Dia. Keyed (Code Y) T-S	L517104-312	All	301D,302,303,304,305,306
13T, 16/32 Spline (Code K) T-S	L517104-314	All	301E,302,304,305,306
15T, 16/32 Spline (Code S) T-S	L517104-316	All	301E,302,304,305,306
<b>Swashblock</b>			
All	516597-050	B2(B)	201
<b>Saddle Bearing</b>			
Standard	L517105-220	All	204(2)
High Temp	L517105-221	All	
<b>Hydrodynamic Bearing Kit</b>			
All	L517105-210	All	202,205,208
<b>Rotating Group</b>			
PVG-048/065	L517104-103	B2(B)	101,102(9),103,104,105
PVG-075	L517105-103	B2(B)	
<b>Piston &amp; Shoe Sub-Assembly</b>			
PVG-048/065	K407905-R65	B2(B)	102(9)
PVG-075	K407905-A75	B2(B)	
<b>Shoe Retainer &amp; Fulcrum Ball</b>			
PVG-048/065	L319221-365	All	103,104
PVG-075	L319221-375	All	

**PVG B Pump Service Kits**

Reference: 517105 Ass'y Drwg

Document Number: 517105-SK

Revision: 0 (10-6-03)

Sheet 2 of 3

Description	Kit No.	Design Series	Items Included (quantity is 1 unless noted)
<b>Valve Plate Kits</b>			
PVG-048/065 Rear Port LH			
Viton Seals	L517104-401	All	401A,403(4),404,405,406,407,408,409,410,411
Nitrile Seals	L517104-411	All	
EPR Seals	L517104-408	All	
PVG-048/065 Rear Port RH			
Viton Seals	L517104-402	All	401B,403(4),404,405,406,407,408,409,410,411
Nitrile Seals	L517104-412	All	
EPR Seals	L517104-413	All	
PVG-048/065 Side Port LH			
Viton Seals	L517104-405	All	401C,403(4),404,405,406,407,408,409,410,411
Nitrile Seals	L517104-414	All	
EPR Seals	L517104-415	All	
PVG-048/065 Side Port RH			
Viton Seals	L517104-406	All	401D,403(4),404,405,406,407,408,409,410,411
Nitrile Seals	L517104-416	All	
EPR Seals	L517104-417	All	
PVG-048/065 Side Port, Thru-Shaft LH			
Viton Seals	L517104-403	All	401E,403(4),404,405(2),407(2),408(2),410(2),411
Nitrile Seals	L517104-418	All	
EPR Seals	L517104-410	All	
PVG-048/065 Side Port, Thru-Shaft RH			
Viton Seals	L517104-404	All	401F,403(4),404,405(2),406,407,408(2),409,410,411
Nitrile Seals	L517104-419	All	
EPR Seals	L517104-420	All	
PVG-075 Rear Port LH			
Viton Seals	L517105-401	All	401A,403(4),404,405,406,407,408,409,410,411
Nitrile Seals	L517105-417	All	
EPR Seals	L517105-410	All	
PVG-075 Rear Port RH			
Viton Seals	L517105-402	All	401B,403(4),404,405,406,407,408,409,410,411
Nitrile Seals	L517105-418	All	
EPR Seals	L517105-411	All	
PVG-075 Side Port LH			
Viton Seals	L517105-405	All	401C,403(4),404,405,406,407,408,409,410,411
Nitrile Seals	L517105-419	All	
EPR Seals	L517105-414	All	
PVG-075 Side Port RH			
Viton Seals	L517105-406	All	401D,403(4),404,405,406,407,408,409,410,411
Nitrile Seals	L517105-420	All	
EPR Seals	L517105-415	All	
PVG-075 Side Port, Thru-Shaft LH			
Viton Seals	L517105-403	All	401E,403(4),404,405(2),407(2),408(2),410(2),411
Nitrile Seals	L517105-409	All	
EPR Seals	L517105-412	All	
PVG-075 Side Port, Thru-Shaft RH			
Viton Seals	L517105-404	All	401F,403(4),404,405(2),406,407,408(2),409,410,411
Nitrile Seals	L517105-416	All	
EPR Seals	L517105-413	All	

**PVG B Pump Service Kits**

Reference: 517105 Ass'y Drwg

Document Number: 517105-SK

Revision: 0 (10-6-03)

Sheet 3 of 3

Description	Kit No.	Design Series	Items Included (quantity is 1 unless noted)
<b>Basic Seal Kit</b>			
Viton Seals	K517105-B11	All	007,010,011,404,405(2),406,407(2),411 Control 313,330,341(2)
Nitrile Seals	K517105-B12	All	
EPR Seals	K517105-B13	All	
<b>Seal Kits for Options</b>			
<b>Standard Cover Plate</b>			
Viton Seals	238270-138	All	505
Nitrile Seals	233370-138	All	
EPR Seals	242080-138	All	
<b>SAE B Adaptor</b>			
Viton Seals	L250667-017	All	505,506
Nitrile Seals	L250667-016	All	
EPR Seals	L250667-018	All	
<b>SAE A Adaptor</b>			
Viton Seals	L250667-014	All	505,506
Nitrile Seals	L250667-013	All	
EPR Seals	L250667-015	All	
<b>SAE A-A Adaptor</b>			
Viton Seals	L250667-019	All	505,508
Nitrile Seals	L250667-020	All	
EPR Seals	L250667-021	All	
<b>Shaft Seal</b>			
Viton Seals	51155-5	All	007
Nitrile Seals	51155-7	All	
EPR Seals	L51155-3RP	All	
<b>Cover Plate Kit</b>			
Viton Seals	L319076-101	All	307,308,309,502,503(4),505
Nitrile Seals	L319076-105	All	
EPR Seals	L319076-115	All	
<b>Rear Shaft Cover Kit</b>			
All	L319263	All	307,308,309
<b>SAE B Adaptor/Coupling Kit</b>			
Viton Seals	L319076-100	All	501,502,503(2),504(2),505,506
Nitrile Seals	L319076-107	All	
EPR Seals	L319076-108	All	
<b>SAE A Adaptor/Coupling Kit 9 tooth</b>			
Viton Seals	L319076-103	All	501,502,503(2),504(2),505,506,507(4)
Nitrile Seals	L319076-109	All	
EPR Seals	L319076-110	All	
<b>SAE A Adaptor/Coupling Kit 11 tooth</b>			
Viton Seals	L319076-106	All	501,502,503(2),504(2),505,506,507(4)
Nitrile Seals	L319076-111	All	
EPR Seals	L319076-112	All	
<b>SAE A-A Adaptor/Coupling Kit</b>			
Viton Seals	L319076-104	All	501,502,503(2),504(2),505,507(4),508
Nitrile Seals	L319076-113	All	
EPR Seals	L319076-114	All	
<b>Name Tag &amp; Screws</b>			
All	L50921	All	003,008(2)

Std = Rear ported or Side ported w/o thru-shaft, T-S = Side ported w/ thru-shaft

(A) Pump cases are interchangeable

- A1 series has #12 SAE threaded case drain connection
- B1 and B2 have #16 SAE threaded case drain connection

(B) Swashblock and Rotating group/piston and shoe assembly must have matching design series

- B2 parts must all be same design series
- A1, B1 parts can be intermixed between series

**PVG C Pump Service Kits**

Document Number: 516246-SK

Revision: 0 (10-6-03)

Sheet 1 of 6

Description	Kit No.	Design Series	Items Included (quantity is 1 unless noted)	
<b>Housing Kits</b>				
USA				
Viton Seals	L516275-601	All(A)	001,002,003,004,005(2),006(2),007,008(2),010,011,207(2)	
Nitrile Seals	L516275-603	All(A)		
EPR Seals	L516275-602	All(A)		
Metric				
Viton Seals	L516679-601	All(A)		
Nitrile Seals	L516679-602	All(A)		
EPR Seals	L516679-605	All(A)		
<b>Shaft &amp; Bearing Kits</b>				
Viton or Nitrile seals				
1.50" Dia. Keyed (Code Z) Short	L516175-301	All(B)	301D,302,303,304,305,306	
1.50" Dia. Keyed (Code Y) Std	L516175-307	All(B)	301D,302,303,304,305,306	
14T, 12/24 Spline (Code K) Std	L516175-305	All	301E,302,304,305,306	
17T, 12/24 Spline (Code S) Std	L516175-302	All	301E,302,304,305,306	
1.50" Dia. Keyed (Code Z) T-S Short	L516175-303	All(B)	301A,302,303,304,305,306	
1.50" Dia. Keyed (Code Y) T-S	L516175-308	All(B)	301A,302,303,304,305,306	
14T, 12/24 Spline (Code K) T-S	L516175-306	All	301B,302,304,305,306	
17T, 12/24 Spline (Code S) T-S	L516175-304	All	301B,302,304,305,306	
EPR Seals				
1.50" Dia. Keyed (Code Z) Short	L516175-328	All(B)	301D,302,303,304,305,306	
1.50" Dia. Keyed (Code Y) Std	L516175-322	All(B)	301D,302,303,304,305,306	
14T, 12/24 Spline (Code K) Std	L516175-324	All	301E,302,304,305,306	
17T, 12/24 Spline (Code S) Std	L516175-326	All	301E,302,304,305,306	
1.50" Dia. Keyed (Code Z) T-S Short	L516175-327	All(B)	301A,302,303,304,305,306	
1.50" Dia. Keyed (Code Y) T-S	L516175-321	All(B)	301A,302,303,304,305,306	
14T, 12/24 Spline (Code K) T-S	L516175-323	All	301B,302,304,305,306	
17T, 12/24 Spline (Code S) T-S	L516175-325	All	301B,302,304,305,306	
<b>Swashblock</b>				
All	515794	All	201	
<b>Guide Plate Assembly</b>				
USA	L516175-225	All	203,206(2)	
Metric	L516679-225	All		
<b>Saddle Bearing</b>				
Standard	L516175-220	All	204(2)	
High Temp	L516175-221	All		
<b>Hydrodynamic Bearing Kit</b>				
PVG-100	L516175-210	All	202,205,208	
PVG-130	L516275-210	All		
<b>Rotating Group</b>				
PVG-100	L516175-101	All	101,102(9),103,104,105	
PVG-130	L516275-102	C2(C)		



**PVG C Pump Service Kits**

Document Number: 516246-SK

Revision: 0 (10-6-03)

Sheet 2 of 6

Description	Kit No.	Design Series	Items Included (quantity is 1 unless noted)
<b>Piston &amp; Shoe Sub-Assembly</b>			
PVG-100	K407812-800	All	102(9)
PVG-130	K407837-800	All	
<b>Shoe Retainer &amp; Fulcrum Ball</b>			
PVG-100	L318925-001	All	103,104
PVG-130	L318926	All	
<b>Valve Plate Kits</b>			
<b>USA</b>			
<b>PVG-100 Rear Port LH</b>			
Viton Seals	L516175-401	All	401D,403(4),404,405,407,408,410,411
Nitrile Seals	L516175-413	All	
EPR Seals	L516175-407	All	
<b>PVG-100 Rear Port RH</b>			
Viton Seals	L516175-402	All	401D,403(4),404,405,406,407,408,409,410,411
Nitrile Seals	L516175-414	All	
EPR Seals	L516175-408	All	
<b>PVG-100 Side Port LH</b>			
Viton Seals	L516175-405	All	401E,403(4),404,405,406,407,408,409,410,411
Nitrile Seals	L516175-417	All	
EPR Seals	L516175-411	All	
<b>PVG-100 Side Port RH</b>			
Viton Seals	L516175-406	All	401E,403(4),404,405,406,407,408,409,410,411
Nitrile Seals	L516175-418	All	
EPR Seals	L516175-412	All	
<b>PVG-100 Side Port, Thru-Shaft LH</b>			
Viton Seals	L516175-403	All	401A,403(4),404,405(2),406,407,408(2),409,410,411
Nitrile Seals	L516175-415	All	
EPR Seals	L516175-409	All	
<b>PVG-100 Side Port, Thru-Shaft RH</b>			
Viton Seals	L516175-404	All	401A,403(4),404,405(2),406,407,408(2),409,410,411
Nitrile Seals	L516175-416	All	
EPR Seals	L516175-410	All	
<b>PVG-130 Rear Port LH</b>			
Viton Seals	L516275-401	C2(C)	401D,403(4),404,405,407,408,410,411
Nitrile Seals	L516275-425	C2(C)	
EPR Seals	L516275-407	C2(C)	
<b>PVG-130 Rear Port RH</b>			
Viton Seals	L516275-402	C2(C)	401D+D161,403(4),404,405,406,407,408,409,410,411
Nitrile Seals	L516275-428	C2(C)	
EPR Seals	L516275-408	C2(C)	
<b>PVG-130 Side Port LH</b>			
Viton Seals	L516275-405	C2(C)	401E,403(4),404,405,406,407,408,409,410,411
Nitrile Seals	L516275-417	C2(C)	

**PVG C Pump Service Kits**

Document Number: 516246-SK

Revision: 0 (10-6-03)

Sheet 3 of 6

Description	Kit No.	Design Series	Items Included (quantity is 1 unless noted)
PVG-130 Side Port RH			
Viton Seals	L516275-424	C2(C)	401E,403(4),404,405,406,407,408,409,410,411
Nitrile Seals	L516275-418	C2(C)	
EPR Seals	L516275-412	C2(C)	
PVG-130 Side Port, Thru-Shaft LH			
Viton Seals	L516275-403	C2(C)	401A,403(4),404,405(2),406,407,408(2),409,410,411
Nitrile Seals	L516275-415	C2(C)	
EPR Seals	L516275-409	C2(C)	
PVG-130 Side Port, Thru-Shaft RH			401A,403(4),404,405(2),406,407,408(2),409,410,411
Viton Seals	L516275-404	C2(C)	
Nitrile Seals	L516275-416	C2(C)	
EPR Seals	L516275-410	C2(C)	
<b>Metric</b>			
PVG-100 Rear Port LH			
Viton Seals	L516678-401	All	401D,403(4),404,405,407,408,410,411
Nitrile Seals	L516678-407	All	
EPR Seals	L516678-408	All	
PVG-100 Rear Port RH			
Viton Seals	L516678-402	All	401D,403(4),404,405,406,407,408,409,410,411
Nitrile Seals	L516678-409	All	
EPR Seals	L516678-410	All	
PVG-100 Side Port LH			
Viton Seals	L516678-405	All	401E,403(4),404,405,406,407,408,409,410,411
Nitrile Seals	L516678-411	All	
EPR Seals	L516678-412	All	
PVG-100 Side Port RH			
Viton Seals	L516678-406	All	401E,403(4),404,405,406,407,408,409,410,411
Nitrile Seals	L516678-413	All	
EPR Seals	L516678-414	All	
PVG-100 Side Port, Thru-Shaft LH			
Viton Seals	L516678-403	All	401A,403(4),404,405(2),406,407,408(2),409,410,411
Nitrile Seals	L516678-415	All	
EPR Seals	L516678-416	All	
PVG-100 Side Port, Thru-Shaft RH			
Viton Seals	L516678-404	All	401A,403(4),404,405(2),406,407,408(2),409,410,411
Nitrile Seals	L516678-417	All	
EPR Seals	L516678-418	All	
PVG-130 Rear Port LH			
Viton Seals	L516679-425	C2(C)	401D,403(4),404,405,407,408,410,411
Nitrile Seals	L516679-427	C2(C)	
EPR Seals	L516679-429	C2(C)	
PVG-130 Rear Port RH			
Viton Seals	L516679-420	C2(C)	401D+D161,403(4),404,405,406,407,408,409,410,411
Nitrile Seals	L516679-414	C2(C)	
EPR Seals	L516679-430	C2(C)	
PVG-130 Side Port LH			
Viton Seals	L516679-407	C2(C)	401E,403(4),404,405,406,407,408,409,410,411
Nitrile Seals	L516679-419	C2(C)	
EPR Seals	L516679-431	C2(C)	

**PVG C Pump Service Kits**

Document Number: 516246-SK

Revision: 0 (10-6-03)

Sheet 4 of 6

Description	Kit No.	Design Series	Items Included (quantity is 1 unless noted)	
PVG-130 Side Port RH				
Viton Seals	L516679-428	C2(C)	401E,403(4),404,405,406,407,408,409,410,411	
Nitrile Seals	L516679-432	C2(C)		
EPR Seals	L516679-433	C2(C)		
PVG-130 Side Port, Thru-Shaft LH				
Viton Seals	L516679-421	C2(C)	401A,403(4),404,405(2),406,407,408(2),409,410,411	
Nitrile Seals	L516679-434	C2(C)		
EPR Seals	L516679-435	C2(C)		
PVG-130 Side Port, Thru-Shaft RH				
Viton Seals	L516679-404	C2(C)	401A,403(4),404,405(2),406,407,408(2),409,410,411	
Nitrile Seals	L516679-436	C2(C)		
EPR Seals	L516679-437	C2(C)		
<b>Basic Seal Kit</b>				
USA				
Viton Seals	K516175-C11	All	007,010,011,404,405(2),406,407(2),411 Control 330,313	
Nitrile Seals	K516175-C12	All		
EPR Seals	K516175-C13	All		
Metric				
Viton Seals	K516678-C11	All		
Nitrile Seals	K516678-C12	All		
EPR Seals	K516678-C13	All		
<b>Seal Kits for Options</b>				
Standard Cover Plate				
Viton Seals	238270-138	All	505	
Nitrile Seals	233370-138	All		
EPR Seals	242080-138	All		
SAE C Adaptor				
Viton Seals	238270-049	All	505	
Nitrile Seals	233370-049	All		
EPR Seals	242080-049	All		
SAE B Adaptor				
Viton Seals	L250667-017	All	505,506	
Nitrile Seals	L250667-016	All		
EPR Seals	L250667-018	All		
SAE A Adaptor				
Viton Seals	L250667-014	All	505,506	
Nitrile Seals	L250667-013	All		
EPR Seals	L250667-015	All		
SAE A-A Adaptor				
Viton Seals	L250667-019	All	505,508	
Nitrile Seals	L250667-020	All		
EPR Seals	L250667-021	All		
<b>Shaft Seal</b>				
Viton Seals	51156-5	All	007	
Nitrile Seals	51156-7	All		
EPR Seals	L51156-3RP	All		

**PVG C Pump Service Kits**

Document Number: 516246-SK

Revision: 0 (10-6-03)

Sheet 5 of 6

Description	Kit No.	Design Series	Items Included (quantity is 1 unless noted)
<b>Cover Plate Kit</b>			
USA			307,308,309,502,503(4),505
Viton Seals	L319076-001	All	
Nitrile Seals	L319076-013	All	
EPR Seals	L319076-301	All	
Metric			
Viton Seals	L319076-M01	All	
Nitrile Seals	L319076-M07	All	
EPR Seals	L319076-M08	All	
<b>Rear Shaft Cover Kit</b>			
All	L319066-006	All	307,308,309
<b>SAE C Adaptor/Coupling Kit</b>			
USA			501,503(2),504(2),505
Viton Seals	L319076	All	
Nitrile Seals	L319076-008	All	
EPR Seals	L319076-300	All	
Metric			
Viton Seals	L319076-M00	All	
Nitrile Seals	L319076-M09	All	
EPR Seals	L319076-M10	All	
<b>SAE B-B Adaptor/Coupling Kit</b>			
USA			501,502,503(2),504(2),505,506
Viton Seals	L319076-005	All	
Nitrile Seals	L319076-012	All	
EPR Seals	L319076-014	All	
Metric			
Viton Seals	L319076-M05	All	
Nitrile Seals	L319076-M11	All	
EPR Seals	L319076-M12	All	
<b>SAE B Adaptor/Coupling Kit</b>			
USA			501,502,503(2),504(2),505,506
Viton Seals	L319076-002	All	
Nitrile Seals	L319076-007	All	
EPR Seals	L319076-302	All	
Metric			
Viton Seals	L319076-M02	All	
Nitrile Seals	L319076-M13	All	
EPR Seals	L319076-M14	All	
<b>SAE A Adaptor/Coupling Kit 9 tooth</b>			
USA			501,502,503(2),504(2),505,506,507(4)
Viton Seals	L319076-003	All	
Nitrile Seals	L319076-011	All	
EPR Seals	L319076-303	All	
Metric			
Viton Seals	L319076-M03	All	
Nitrile Seals	L319076-M15	All	
EPR Seals	L319076-M16	All	

**PVG C Pump Service Kits**

Document Number: 516246-SK

Revision: 0 (10-6-03)

Sheet 6 of 6

Description	Kit No.	Design Series	Items Included (quantity is 1 unless noted)
<b>SAE A Adaptor/Coupling Kit 11 tooth</b>			
USA			
Viton Seals	L319076-006	All	501,502,503(2),504(2),505,506,507(4)
Nitrile Seals	L319076-015	All	
EPR Seals	L319076-016	All	
Metric			
Viton Seals	L319076-M06	All	
Nitrile Seals	L319076-M17	All	
EPR Seals	L319076-M18	All	
<b>SAE A-A Adaptor/Coupling Kit</b>			
USA			
Viton Seals	L319076-004	All	501,502,503(2),504(2),505,507(4),508
Nitrile Seals	L319076-017	All	
EPR Seals	L319076-018	All	
Metric			
Viton Seals	L319076-M04	All	
Nitrile Seals	L319076-M19	All	
EPR Seals	L319076-M20	All	
<b>Name Tag &amp; Screws</b>			
All	L50921	All	003,008(2)

Std = Rear ported or Side ported w/o thru-shaft, T-S = Side ported w/ thru-shaft

(A) Pump cases are interchangeable

A1 series has #12 SAE threaded case drain connection

B1, C1, C2, D3, D4, E1 have #16 SAE threaded case drain connection

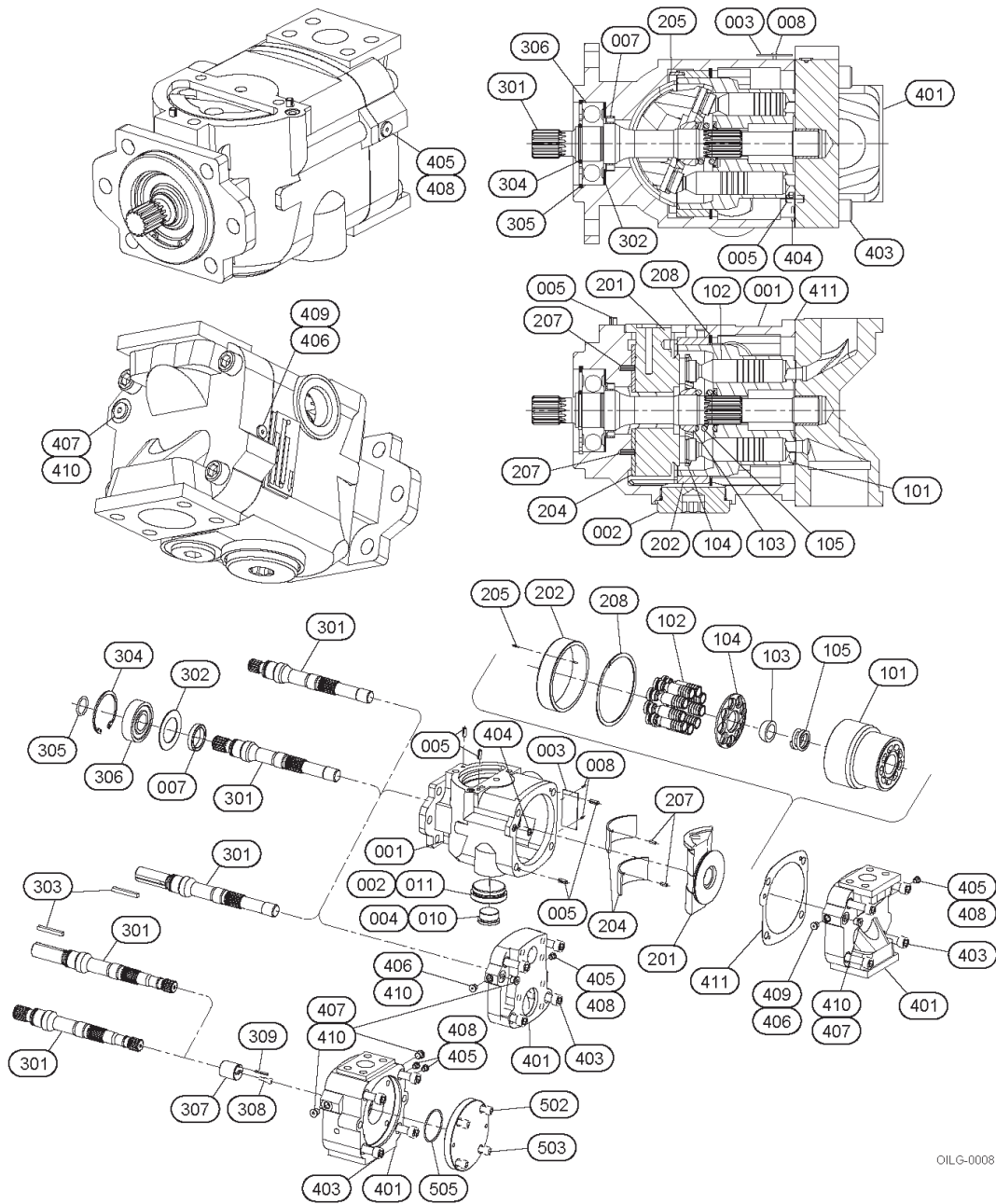
(B) Code "Y" shaft is length of Code "Z" shaft for Design Series "A1"

Parts are interchangeable between Design Series

(C) PVG130 Valve plate and Rotating group must be matched

A1, B1, C1 parts can be intermixed between series

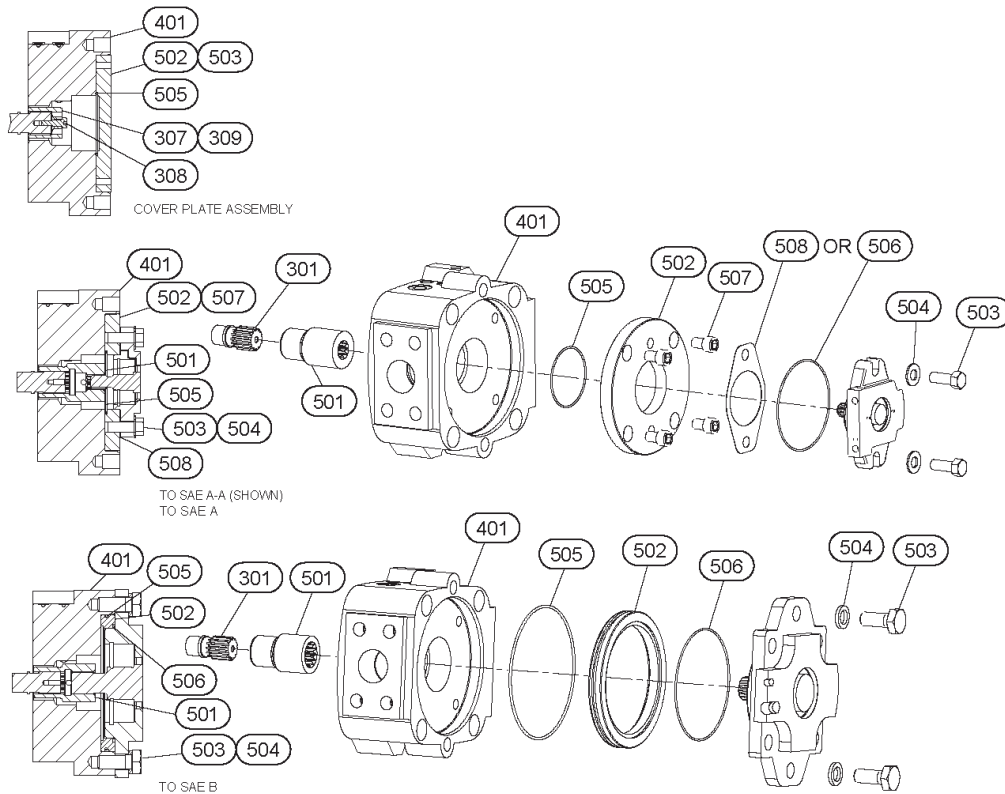
C2, D3, D4, E1 parts can be intermixed between series



OILG-0008

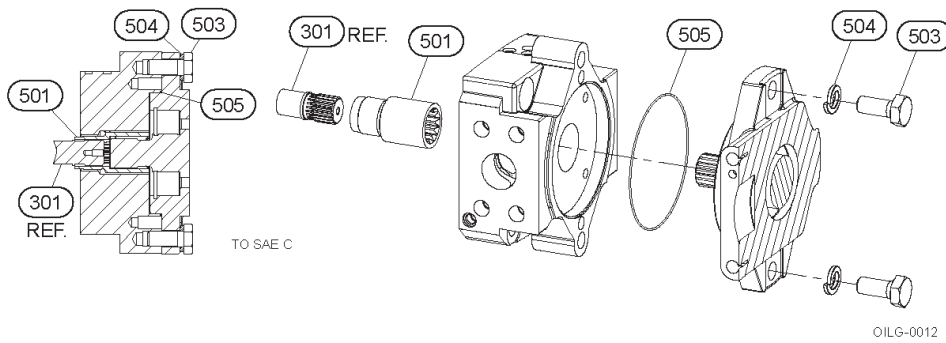
Figure 10. Cross Section and Exploded Parts Drawing for PVG 048, 065 and 075 (517105 sheet 1 and 2)

**NOTE** Cylinder bearing (202) to be held in position with roll pin (205) which must be located in the cast side slot of housing (001).



THRU-SHAFT OPTIONS OILG-0009

Available for PVG 048, 065, 075, 100 and 130  
(Drawing 517105 sheet 6 and 7)



OILG-0012

Available for PVG 100 and 130  
(Drawing 516246 sheet 6, 7 and 8)

Figure 11. Cross Section and Exploded Parts Drawing

---

## **AFTER SALES SERVICES**

At Oilgear we build products to last. It is the nature of this type of machinery to require proper maintenance regardless of the care we put into manufacturing. Oilgear has several service programs in place to help you.

### **STAY-ON-STREAM SERVICE**

By signing up for Oilgear's Stay-On-Stream program, you can prepare for problems before they happen. Certain field tests such as fluid testing, slip testing and electronic profile recording comparisons can be performed by our field service people or your own factory trained personnel. These tests can indicate problems before they become "down-time" difficulties.

## **SERVICE SCHOOLS**

Oilgear conducts training to train your maintenance personnel. "General" hydraulic or electronic training is conducted at our Milwaukee, Wisconsin plant on a regular basis. "Custom" training, specifically addressing your particular hydraulic and electro-hydraulic equipment can be conducted at your facilities.

### **SPARE PARTS AVAILABILITY**

Prepare for your future needs by stocking Oilgear original factory parts. Having the correct parts and necessary skills "in-plant" enables you to minimize "down-time." Oilgear has developed parts kits to cover likely future needs. Oilgear Field Service Technicians are also ready to assist you and your maintenance people in troubleshooting and repairing equipment.







**APPENDIX VII**

**5711**

**Safety Data Sheet**

**MIL-PRF-5606 Hydraulic Fluid**



Product Name: MOBIL AERO HFA  
Revision Date: 01 Oct 2015  
Page 1 of 12

## SAFETY DATA SHEET

### SECTION 1 PRODUCT AND COMPANY IDENTIFICATION

#### PRODUCT

**Product Name:** MOBIL AERO HFA  
**Product Description:** Base Oil and Additives  
**Product Code:** 201550401020, 490110-00, 970584  
**Intended Use:** Aviation hydraulic oil

#### COMPANY IDENTIFICATION

**Supplier:** EXXON MOBIL CORPORATION  
22777 Springwoods Village Parkway  
Spring, TX. 77253 USA

**24 Hour Health Emergency** 609-737-4411  
**Transportation Emergency Phone** 800-424-9300 or 703-527-3887 CHEMTREC  
**Product Technical Information** 800-662-4525  
**MSDS Internet Address** <http://www.exxon.com>, <http://www.mobil.com>

### SECTION 2 HAZARDS IDENTIFICATION

This material is hazardous according to regulatory guidelines (see (M)SDS Section 15).

#### CLASSIFICATION:

Flammable liquid: Category 4.  
Aspiration toxicant: Category 1.

#### LABEL:

Pictogram:



**Signal Word:** Danger

#### Hazard Statements:

H227: Combustible liquid. H304: May be fatal if swallowed and enters airways.

#### Precautionary Statements:

P210: Keep away from flames and hot surfaces. -- No smoking. P273: Avoid release to the environment. P280: Wear protective gloves and eye / face protection. P301 + P310: IF SWALLOWED: Immediately call a POISON CENTER or doctor/physician. P331: Do NOT induce vomiting. P370 + P378: In case of fire: Use water fog, foam, dry chemical or carbon dioxide (CO2) to extinguish. P403 + P235: Store in a well-ventilated place. Keep cool. P405: Store locked up. P501: Dispose of contents and container in accordance with local regulations.

Product Name: MOBIL AERO HFA  
 Revision Date: 01 Oct 2015  
 Page 2 of 12

**Other hazard information:**

**HAZARD NOT OTHERWISE CLASSIFIED (HNOC):** None as defined under 29 CFR 1910.1200.

**PHYSICAL / CHEMICAL HAZARDS**

Material can accumulate static charges which may cause an ignition. Material can release vapors that readily form flammable mixtures. Vapor accumulation could flash and/or explode if ignited. Combustible.

**HEALTH HAZARDS**

High-pressure injection under skin may cause serious damage. Excessive exposure may result in eye, skin, or respiratory irritation.

**ENVIRONMENTAL HAZARDS**

No significant hazards.

<b>NFPA Hazard ID:</b>	Health: 1	Flammability: 2	Reactivity: 0
<b>HMIS Hazard ID:</b>	Health: 1*	Flammability: 2	Reactivity: 0

**NOTE:** This material should not be used for any other purpose than the intended use in Section 1 without expert advice. Health studies have shown that chemical exposure may cause potential human health risks which may vary from person to person.

<b>SECTION 3</b>	<b>COMPOSITION / INFORMATION ON INGREDIENTS</b>
------------------	---

This material is defined as a mixture.

**Hazardous Substance(s) or Complex Substance(s) required for disclosure**

Name	CAS#	Concentration*	GHS Hazard Codes
2,6-DI-TERT-BUTYL-P-CRESOL	128-37-0	0.1 - < 1%	H400(M factor 1), H410(M factor 1)
DISTILLATES (PETROLEUM), HYDROTREATED LIGHT	64742-47-8	5 - < 10%	H304
HYDROTREATED LIGHT NAPHTHENIC DISTILLATE (PETROLEUM)	64742-53-6	50 - < 70%	H227, H304
HYDROTREATED MIDDLE DISTILLATE (PETROLEUM)	64742-46-7	20 - < 30%	H304
TRIPHENYL PHOSPHATE	115-86-6	0.1 - < 0.25%	H400(M factor 1), H410(M factor 1)

\* All concentrations are percent by weight unless material is a gas. Gas concentrations are in percent by volume.

As per paragraph (i) of 29 CFR 1910.1200, formulation is considered a trade secret and specific chemical identity and exact percentage (concentration) of composition may have been withheld. Specific chemical identity and exact percentage composition will be provided to health professionals, employees, or designated representatives in accordance with applicable provisions of paragraph (i).

<b>SECTION 4</b>	<b>FIRST AID MEASURES</b>
------------------	---------------------------

**INHALATION**

Remove from further exposure. For those providing assistance, avoid exposure to yourself or others. Use adequate respiratory protection. If respiratory irritation, dizziness, nausea, or unconsciousness occurs, seek immediate medical assistance. If breathing has stopped, assist ventilation with a mechanical device or use mouth-to-mouth resuscitation.

#### SKIN CONTACT

Wash contact areas with soap and water. Remove contaminated clothing. Launder contaminated clothing before reuse. If product is injected into or under the skin, or into any part of the body, regardless of the appearance of the wound or its size, the individual should be evaluated immediately by a physician as a surgical emergency. Even though initial symptoms from high pressure injection may be minimal or absent, early surgical treatment within the first few hours may significantly reduce the ultimate extent of injury.

#### EYE CONTACT

Flush thoroughly with water. If irritation occurs, get medical assistance.

#### INGESTION

Seek immediate medical attention. Do not induce vomiting.

#### NOTE TO PHYSICIAN

If ingested, material may be aspirated into the lungs and cause chemical pneumonitis. Treat appropriately.

### SECTION 5 FIRE FIGHTING MEASURES

#### EXTINGUISHING MEDIA

**Appropriate Extinguishing Media:** Use water fog, foam, dry chemical or carbon dioxide (CO<sub>2</sub>) to extinguish flames.

**Inappropriate Extinguishing Media:** Straight Streams of Water

#### FIRE FIGHTING

**Fire Fighting Instructions:** Evacuate area. Prevent runoff from fire control or dilution from entering streams, sewers, or drinking water supply. Firefighters should use standard protective equipment and in enclosed spaces, self-contained breathing apparatus (SCBA). Use water spray to cool fire exposed surfaces and to protect personnel.

**Unusual Fire Hazards:** Combustible. Pressurized mists may form a flammable mixture.

**Hazardous Combustion Products:** Aldehydes, Incomplete combustion products, Oxides of carbon, Phosphorus oxides, Smoke, Fume, Sulfur oxides

#### FLAMMABILITY PROPERTIES

**Flash Point [Method]:** >82°C (180°F) [ASTM D-93]

**Flammable Limits (Approximate volume % in air):** LEL: 0.7 UEL: 7.0 [Estimated]

**Autoignition Temperature:** >225°C (437°F)

### SECTION 6 ACCIDENTAL RELEASE MEASURES

#### NOTIFICATION PROCEDURES

In the event of a spill or accidental release, notify relevant authorities in accordance with all applicable

regulations. US regulations require reporting releases of this material to the environment which exceed the applicable reportable quantity or oil spills which could reach any waterway including intermittent dry creeks. The National Response Center can be reached at (800)424-8802.

## PROTECTIVE MEASURES

Avoid contact with spilled material. Warn or evacuate occupants in surrounding and downwind areas if required due to toxicity or flammability of the material. See Section 5 for fire fighting information. See the Hazard Identification Section for Significant Hazards. See Section 4 for First Aid Advice. See Section 8 for advice on the minimum requirements for personal protective equipment. Additional protective measures may be necessary, depending on the specific circumstances and/or the expert judgment of the emergency responders.

For emergency responders: Respiratory protection: respiratory protection will be necessary only in special cases, e.g., formation of mists. Half-face or full-face respirator with filter(s) for dust/organic vapor or Self Contained Breathing Apparatus (SCBA) can be used depending on the size of spill and potential level of exposure. If the exposure cannot be completely characterized or an oxygen deficient atmosphere is possible or anticipated, SCBA is recommended. Work gloves that are resistant to hydrocarbons are recommended. Gloves made of polyvinyl acetate (PVA) are not water-resistant and are not suitable for emergency use. Chemical goggles are recommended if splashes or contact with eyes is possible. Small spills: normal antistatic work clothes are usually adequate. Large spills: full body suit of chemical resistant, antistatic material is recommended.

## SPILL MANAGEMENT

**Land Spill:** Eliminate all ignition sources (no smoking, flares, sparks or flames in immediate area). Stop leak if you can do it without risk. All equipment used when handling the product must be grounded. Do not touch or walk through spilled material. Prevent entry into waterways, sewer, basements or confined areas. A vapor suppressing foam may be used to reduce vapors. Use clean non-sparking tools to collect absorbed material. Absorb or cover with dry earth, sand or other non-combustible material and transfer to containers. Large Spills: Water spray may reduce vapor; but may not prevent ignition in closed spaces. Recover by pumping or with suitable absorbent.

**Water Spill:** Stop leak if you can do it without risk. Confine the spill immediately with booms. Warn other shipping. Remove from the surface by skimming or with suitable absorbents. Seek the advice of a specialist before using dispersants.

Water spill and land spill recommendations are based on the most likely spill scenario for this material; however, geographic conditions, wind, temperature, (and in the case of a water spill) wave and current direction and speed may greatly influence the appropriate action to be taken. For this reason, local experts should be consulted. Note: Local regulations may prescribe or limit action to be taken.

## ENVIRONMENTAL PRECAUTIONS

Large Spills: Dike far ahead of liquid spill for later recovery and disposal. Prevent entry into waterways, sewers, basements or confined areas.

<b>SECTION 7</b>	<b>HANDLING AND STORAGE</b>
------------------	-----------------------------

## HANDLING

Avoid contact with skin. Avoid prolonged breathing of mists and heated vapor. Prevent small spills and leakage to avoid slip hazard. Material can accumulate static charges which may cause an electrical spark (ignition source). When the material is handled in bulk, an electrical spark could ignite any flammable vapors from liquids or residues that may be present (e.g., during switch-loading operations). Use proper bonding and/or ground procedures. However, bonding and grounds may not eliminate the hazard from static

accumulation. Consult local applicable standards for guidance. Additional references include American Petroleum Institute 2003 (Protection Against Ignitions Arising out of Static, Lightning and Stray Currents) or National Fire Protection Agency 77 (Recommended Practice on Static Electricity) or CENELEC CLC/TR 50404 (Electrostatics - Code of practice for the avoidance of hazards due to static electricity).

**Static Accumulator:** This material is a static accumulator.

**STORAGE**

The container choice, for example storage vessel, may effect static accumulation and dissipation. Keep container closed. Handle containers with care. Open slowly in order to control possible pressure release. Store in a cool, well-ventilated area. Storage containers should be grounded and bonded. Fixed storage containers, transfer containers and associated equipment should be grounded and bonded to prevent accumulation of static charge.

**SECTION 8 EXPOSURE CONTROLS / PERSONAL PROTECTION**

**EXPOSURE LIMIT VALUES**

Exposure limits/standards (Note: Exposure limits are not additive)

Substance Name	Form	Limit / Standard		NOTE	Source
2,6-DI-TERT-BUTYL-P-CRESOL	Inhalable fraction and vapor	TWA	2 mg/m3	N/A	ACGIH
DISTILLATES (PETROLEUM), HYDROTREATED LIGHT [total hydrocarbon vapor]	Non-Aerosol	TWA	200 mg/m3	Skin	ACGIH
HYDROTREATED LIGHT NAPHTHENIC DISTILLATE (PETROLEUM)	Mist.	TWA	5 mg/m3	N/A	OSHA Z1
HYDROTREATED LIGHT NAPHTHENIC DISTILLATE (PETROLEUM)	Inhalable fraction.	TWA	5 mg/m3	N/A	ACGIH
HYDROTREATED LIGHT NAPHTHENIC DISTILLATE (PETROLEUM)	Mist.	TWA	5 mg/m3	N/A	ACGIH
HYDROTREATED MIDDLE DISTILLATE (PETROLEUM)	Mist.	TWA	5 mg/m3	N/A	OSHA Z1
HYDROTREATED MIDDLE DISTILLATE (PETROLEUM)	Inhalable fraction.	TWA	5 mg/m3	N/A	ACGIH
TRIPHENYL PHOSPHATE		TWA	3 mg/m3	N/A	OSHA Z1
TRIPHENYL PHOSPHATE		TWA	3 mg/m3	N/A	ACGIH

**Exposure limits/standards for materials that can be formed when handling this product:** When mists/aerosols can occur the following are recommended: 5 mg/m<sup>3</sup> - ACGIH TLV (inhalable fraction), 5 mg/m<sup>3</sup> - OSHA PEL.

NOTE: Limits/standards shown for guidance only. Follow applicable regulations.

No biological limits allocated.

**ENGINEERING CONTROLS**

The level of protection and types of controls necessary will vary depending upon potential exposure conditions.

---

Control measures to consider:

Use explosion-proof ventilation equipment to stay below exposure limits.

## PERSONAL PROTECTION

Personal protective equipment selections vary based on potential exposure conditions such as applications, handling practices, concentration and ventilation. Information on the selection of protective equipment for use with this material, as provided below, is based upon intended, normal usage.

**Respiratory Protection:** If engineering controls do not maintain airborne contaminant concentrations at a level which is adequate to protect worker health, an approved respirator may be appropriate. Respirator selection, use, and maintenance must be in accordance with regulatory requirements, if applicable. Types of respirators to be considered for this material include:

No special requirements under ordinary conditions of use and with adequate ventilation.

For high airborne concentrations, use an approved supplied-air respirator, operated in positive pressure mode. Supplied air respirators with an escape bottle may be appropriate when oxygen levels are inadequate, gas/vapor warning properties are poor, or if air purifying filter capacity/rating may be exceeded.

**Hand Protection:** Any specific glove information provided is based on published literature and glove manufacturer data. Glove suitability and breakthrough time will differ depending on the specific use conditions. Contact the glove manufacturer for specific advice on glove selection and breakthrough times for your use conditions. Inspect and replace worn or damaged gloves. The types of gloves to be considered for this material include:

If prolonged or repeated contact is likely, chemical resistant gloves are recommended. If contact with forearms is likely, wear gauntlet style gloves.

**Eye Protection:** If contact is likely, safety glasses with side shields are recommended.

**Skin and Body Protection:** Any specific clothing information provided is based on published literature or manufacturer data. The types of clothing to be considered for this material include:

If prolonged or repeated contact is likely, chemical, and oil resistant clothing is recommended.

**Specific Hygiene Measures:** Always observe good personal hygiene measures, such as washing after handling the material and before eating, drinking, and/or smoking. Routinely wash work clothing and protective equipment to remove contaminants. Discard contaminated clothing and footwear that cannot be cleaned. Practice good housekeeping.

## ENVIRONMENTAL CONTROLS

Comply with applicable environmental regulations limiting discharge to air, water and soil. Protect the environment by applying appropriate control measures to prevent or limit emissions.

## SECTION 9

## PHYSICAL AND CHEMICAL PROPERTIES

**Note:** Physical and chemical properties are provided for safety, health and environmental considerations only and may not fully represent product specifications. Contact the Supplier for additional information.

## GENERAL INFORMATION

**Physical State:** Liquid

**Color:** Red



Product Name: MOBIL AERO HFA  
 Revision Date: 01 Oct 2015  
 Page 7 of 12

**Odor:** Characteristic  
**Odor Threshold:** N/D

**IMPORTANT HEALTH, SAFETY, AND ENVIRONMENTAL INFORMATION**

**Relative Density (at 15 °C):** 0.88  
**Flammability (Solid, Gas):** N/A  
**Flash Point [Method]:** >82°C (180°F) [ASTM D-93]  
**Flammable Limits (Approximate volume % in air):** LEL: 0.7 UEL: 7.0 [Estimated]  
**Autoignition Temperature:** >225°C (437°F)  
**Boiling Point / Range:** N/D  
**Decomposition Temperature:** N/D  
**Vapor Density (Air = 1):** N/D  
**Vapor Pressure:** [N/D at 20 °C]  
**Evaporation Rate (n-butyl acetate = 1):** N/D  
**pH:** N/A  
**Log Pow (n-Octanol/Water Partition Coefficient):** N/D  
**Solubility in Water:** Negligible  
**Viscosity:** 13.8 cSt (13.8 mm2/sec) at 40 °C | 5.1 cSt (5.1 mm2/sec) at 100°C [ASTM D 445]  
**Oxidizing Properties:** See Hazards Identification Section.

**OTHER INFORMATION**

**Freezing Point:** N/D  
**Melting Point:** N/A  
**Pour Point:** -60°C (-76°F) [ASTM D97]  
**DMSO Extract (mineral oil only), IP-346:** < 3 %wt

**SECTION 10 STABILITY AND REACTIVITY**

**REACTIVITY:** See sub-sections below.

**STABILITY:** Material is stable under normal conditions.

**CONDITIONS TO AVOID:** Open flames and high energy ignition sources.

**MATERIALS TO AVOID:** Strong oxidizers

**HAZARDOUS DECOMPOSITION PRODUCTS:** Material does not decompose at ambient temperatures.

**POSSIBILITY OF HAZARDOUS REACTIONS:** Hazardous polymerization will not occur.

**SECTION 11 TOXICOLOGICAL INFORMATION**

**INFORMATION ON TOXICOLOGICAL EFFECTS**

Hazard Class	Conclusion / Remarks
<b>Inhalation</b>	
Acute Toxicity: No end point data for material.	Minimally Toxic. Based on assessment of the components.
Irritation: No end point data for material.	Elevated temperatures or mechanical action may form vapors, mist, or fumes which may be irritating to the eyes, nose, throat, or lungs.

Product Name: MOBIL AERO HFA  
 Revision Date: 01 Oct 2015  
 Page 8 of 12

<b>Ingestion</b>	
Acute Toxicity: No end point data for material.	Minimally Toxic. Based on assessment of the components.
<b>Skin</b>	
Acute Toxicity: No end point data for material.	Minimally Toxic. Based on assessment of the components.
Skin Corrosion/Irritation: No end point data for material.	May dry the skin leading to discomfort and dermatitis. Based on assessment of the components.
<b>Eye</b>	
Serious Eye Damage/Irritation: No end point data for material.	May cause mild, short-lasting discomfort to eyes. Based on assessment of the components.
<b>Sensitization</b>	
Respiratory Sensitization: No end point data for material.	Not expected to be a respiratory sensitizer.
Skin Sensitization: No end point data for material.	Not expected to be a skin sensitizer. Based on assessment of the components.
<b>Aspiration:</b> Data available.	May be fatal if swallowed and enters airways. Based on physico-chemical properties of the material.
<b>Germ Cell Mutagenicity:</b> No end point data for material.	Not expected to be a germ cell mutagen. Based on assessment of the components.
<b>Carcinogenicity:</b> No end point data for material.	Not expected to cause cancer. Based on assessment of the components.
<b>Reproductive Toxicity:</b> No end point data for material.	Not expected to be a reproductive toxicant. Based on assessment of the components.
<b>Lactation:</b> No end point data for material.	Not expected to cause harm to breast-fed children.
<b>Specific Target Organ Toxicity (STOT)</b>	
Single Exposure: No end point data for material.	Not expected to cause organ damage from a single exposure.
Repeated Exposure: No end point data for material.	Not expected to cause organ damage from prolonged or repeated exposure. Based on assessment of the components.

## TOXICITY FOR SUBSTANCES

NAME	ACUTE TOXICITY
2,6-DI-TERT-BUTYL-P-CRESOL	Oral Lethality: LD50 0.89 g/kg (Rat)

## OTHER INFORMATION

### For the product itself:

Repeated and/or prolonged exposure may cause irritation to the skin, eyes, or respiratory tract. Small amounts of liquid aspirated into the lungs during ingestion or from vomiting may cause chemical pneumonitis or pulmonary edema.

### Contains:

Base oil severely refined: Not carcinogenic in animal studies. Representative material passes IP-346, Modified Ames test, and/or other screening tests. Dermal and inhalation studies showed minimal effects; lung non-specific infiltration of immune cells, oil deposition and minimal granuloma formation. Not sensitizing in test animals.

The following ingredients are cited on the lists below: None.

--REGULATORY LISTS SEARCHED--

Product Name: MOBIL AERO HFA  
Revision Date: 01 Oct 2015  
Page 9 of 12

1 = NTP CARC  
2 = NTP SUS

3 = IARC 1  
4 = IARC 2A

5 = IARC 2B  
6 = OSHA CARC

## SECTION 12 ECOLOGICAL INFORMATION

The information given is based on data available for the material, the components of the material, and similar materials.

### ECOTOXICITY

Material -- Not expected to be harmful to aquatic organisms.

### MOBILITY

More volatile component -- Highly volatile, will partition rapidly to air. Not expected to partition to sediment and wastewater solids.

Less volatile component -- Low solubility and floats and is expected to migrate from water to the land. Expected to partition to sediment and wastewater solids.

### PERSISTENCE AND DEGRADABILITY

#### Biodegradation:

Components -- Expected to be inherently biodegradable

### BIOACCUMULATION POTENTIAL

Majority of components -- Has the potential to bioaccumulate, however metabolism or physical properties may reduce the bioconcentration or limit bioavailability.

## SECTION 13 DISPOSAL CONSIDERATIONS

Disposal recommendations based on material as supplied. Disposal must be in accordance with current applicable laws and regulations, and material characteristics at time of disposal.

### DISPOSAL RECOMMENDATIONS

Product is suitable for burning in an enclosed controlled burner for fuel value or disposal by supervised incineration at very high temperatures to prevent formation of undesirable combustion products. Protect the environment. Dispose of used oil at designated sites. Minimize skin contact. Do not mix used oils with solvents, brake fluids or coolants.

### REGULATORY DISPOSAL INFORMATION

RCRA Information: The unused product, in our opinion, is not specifically listed by the EPA as a hazardous waste (40 CFR, Part 261D), nor is it formulated to contain materials which are listed as hazardous wastes. It does not exhibit the hazardous characteristics of ignitability, corrosivity or reactivity and is not formulated with contaminants as determined by the Toxicity Characteristic Leaching Procedure (TCLP). However, used product may be regulated.

**Empty Container Warning** Empty Container Warning (where applicable): Empty containers may contain residue and can be dangerous. Do not attempt to refill or clean containers without proper instructions. Empty drums should be

Product Name: MOBIL AERO HFA  
Revision Date: 01 Oct 2015  
Page 10 of 12

completely drained and safely stored until appropriately reconditioned or disposed. Empty containers should be taken for recycling, recovery, or disposal through suitably qualified or licensed contractor and in accordance with governmental regulations. DO NOT PRESSURISE, CUT, WELD, BRAZE, SOLDER, DRILL, GRIND, OR EXPOSE SUCH CONTAINERS TO HEAT, FLAME, SPARKS, STATIC ELECTRICITY, OR OTHER SOURCES OF IGNITION. THEY MAY EXPLODE AND CAUSE INJURY OR DEATH.

## SECTION 14 TRANSPORT INFORMATION

### LAND (DOT)

**Proper Shipping Name:** COMBUSTIBLE LIQUID, N.O.S. (Distillates (Petroleum), Hydrotreated Light)  
**Hazard Class & Division:** COMBUSTIBLE LIQUID  
**ID Number:** NA1993  
**Packing Group:** III  
**ERG Number:** 128  
**Label(s):** NONE  
**Transport Document Name:** NA1993, COMBUSTIBLE LIQUID, N.O.S. (Distillates (Petroleum), Hydrotreated Light), COMBUSTIBLE LIQUID, PG III

Footnote: This material is not regulated under 49 CFR in a container of 119 gallon capacity or less when transported solely by land, as long as the material is not a hazardous waste, a marine pollutant, or specifically listed as a hazardous substance.

**LAND (TDG):** Not Regulated for Land Transport

**SEA (IMDG):** Not Regulated for Sea Transport according to IMDG-Code

**Marine Pollutant:** No

**AIR (IATA):** Not Regulated for Air Transport

## SECTION 15 REGULATORY INFORMATION

**OSHA HAZARD COMMUNICATION STANDARD:** This material is considered hazardous in accordance with OSHA HazCom 2012, 29 CFR 1910.1200.

**Listed or exempt from listing/notification on the following chemical inventories:** AICS, DSL, ENCS, IECSC, KECI, PICCS, TCSI, TSCA

**EPCRA SECTION 302:** This material contains no extremely hazardous substances.

**SARA (311/312) REPORTABLE HAZARD CATEGORIES:** Fire. Immediate Health. Delayed Health.

**SARA (313) TOXIC RELEASE INVENTORY:** This material contains no chemicals subject to the supplier notification requirements of the SARA 313 Toxic Release Program.

Product Name: MOBIL AERO HFA  
 Revision Date: 01 Oct 2015  
 Page 11 of 12

The following ingredients are cited on the lists below:

Chemical Name	CAS Number	List Citations
DISTILLATES (PETROLEUM), HYDROTREATED LIGHT	64742-47-8	1, 17, 18
HYDROTREATED LIGHT NAPHTHENIC DISTILLATE (PETROLEUM)	64742-53-6	1, 4, 13, 17, 18
HYDROTREATED MIDDLE DISTILLATE (PETROLEUM)	64742-46-7	1, 4, 17, 18

--REGULATORY LISTS SEARCHED--

1 = ACGIH ALL	6 = TSCA 5a2	11 = CA P65 REPRO	16 = MN RTK
2 = ACGIH A1	7 = TSCA 5e	12 = CA RTK	17 = NJ RTK
3 = ACGIH A2	8 = TSCA 6	13 = IL RTK	18 = PA RTK
4 = OSHA Z	9 = TSCA 12b	14 = LA RTK	19 = RI RTK
5 = TSCA 4	10 = CA P65 CARC	15 = MI 293	

Code key: CARC=Carcinogen; REPRO=Reproductive

SECTION 16	OTHER INFORMATION
------------	-------------------

N/D = Not determined, N/A = Not applicable

**KEY TO THE H-CODES CONTAINED IN SECTION 3 OF THIS DOCUMENT (for information only):**

H227: Combustible liquid; Flammable Liquid, Cat 4  
 H304: May be fatal if swallowed and enters airways; Aspiration, Cat 1  
 H400: Very toxic to aquatic life; Acute Env Tox, Cat 1  
 H410: Very toxic to aquatic life with long lasting effects; Chronic Env Tox, Cat 1

**THIS SAFETY DATA SHEET CONTAINS THE FOLLOWING REVISIONS:**

Revision Changes:

Section 01: Company Mailing Address information was modified.  
 Section 05: Hazardous Combustion Products information was modified.  
 Section 15: List Citations Table information was modified.  
 Section 15: National Chemical Inventory Listing information was modified.  
 Section 14: Marine Pollutant information was modified.  
 Composition: Component Table information was modified.  
 Section 08: Exposure Limits Table information was modified.  
 Section 16: Revision Information - Implementation of GHS requirements phrase. information was deleted.

The information and recommendations contained herein are, to the best of ExxonMobil's knowledge and belief, accurate and reliable as of the date issued. You can contact ExxonMobil to insure that this document is the most current available from ExxonMobil. The information and recommendations are offered for the user's consideration and examination. It is the user's responsibility to satisfy itself that the product is suitable for the intended use. If buyer repackages this product, it is the user's responsibility to insure proper health, safety and other necessary information is included with and/or on the container. Appropriate warnings and safe-handling procedures should be provided to handlers and users. Alteration of this document is strictly prohibited. Except to the extent required by law,



Product Name: MOBIL AERO HFA  
Revision Date: 01 Oct 2015  
Page 12 of 12

re-publication or retransmission of this document, in whole or in part, is not permitted. The term, "ExxonMobil" is used for convenience, and may include any one or more of ExxonMobil Chemical Company, Exxon Mobil Corporation, or any affiliates in which they directly or indirectly hold any interest.

---

Internal Use Only

MHC: 2A, 0, 0, 0, 1, 1

PPEC: C

DGN: 2005454XUS (552975)

---

Copyright 2002 Exxon Mobil Corporation, All rights reserved



**APPENDIX VIII**

**5721**

**Safety Data Sheet**

**MIL-PRF-83282 Hydraulic Fluid**





## Section 1. Identification

**Product name** Brayco Micronic 882  
**SDS #** 451700  
**Historic SDS #:** 27009  
**Code** 451700-US03

### Relevant identified uses of the substance or mixture and uses advised against

**Product use** Hydraulic fluid  
 For specific application advice see appropriate Technical Data Sheet or consult our company representative.

**Supplier** Castrol Industrial North America, Inc.  
 150 W. Warrenville Road  
 Naperville, IL 60563  
 Product Information: +1-877-641-1600

BP Lubricants USA Inc.  
 1500 Valley Road  
 Wayne, NJ 07470  
 Telephone: (973) 633-2200

**EMERGENCY SPILL INFORMATION:** 1 (800) 424-9300 CHEMTREC (USA)

## Section 2. Hazards identification

**OSHA/HCS status** This material is considered hazardous by the OSHA Hazard Communication Standard (29 CFR 1910.1200).

**Classification of the substance or mixture** ASPIRATION HAZARD - Category 1

### GHS label elements

#### Hazard pictograms



**Signal word** Danger

**Hazard statements** May be fatal if swallowed and enters airways.

#### Precautionary statements

**Prevention** Not applicable.

**Response** IF SWALLOWED: Immediately call a POISON CENTER or physician. Do NOT induce vomiting.

**Storage** Store locked up.

**Disposal** Dispose of contents and container in accordance with all local, regional, national and international regulations.

#### **Hazards not otherwise classified**

Defatting to the skin.  
 Note: High Pressure Applications  
 Injections through the skin resulting from contact with the product at high pressure constitute a major medical emergency.  
 See 'Notes to physician' under First-Aid Measures, Section 4 of this Safety Data Sheet.

**Product name** Brayco Micronic 882

**Product code** 451700-US03

**Page:** 1/9

**Version** 2 **Date of issue** 03/27/2017.

**Format** US

**Language** ENGLISH

(US)

(ENGLISH)

## Section 3. Composition/information on ingredients

**Substance/mixture** Mixture

Synthetic lubricant and additives.

Ingredient name	CAS number	%
1-Decene, homopolymer, hydrogenated	68037-01-4	≥50 - ≤75

Any concentration shown as a range is to protect confidentiality or is due to batch variation.

**There are no additional ingredients present which, within the current knowledge of the supplier and in the concentrations applicable, are classified as hazardous to health and hence require reporting in this section.**

Occupational exposure limits, if available, are listed in Section 8.

## Section 4. First aid measures

### Description of necessary first aid measures

<b>Eye contact</b>	In case of contact, immediately flush eyes with plenty of water for at least 15 minutes. Eyelids should be held away from the eyeball to ensure thorough rinsing. Check for and remove any contact lenses. Get medical attention.
<b>Skin contact</b>	Wash skin thoroughly with soap and water or use recognized skin cleanser. Remove contaminated clothing and shoes. Wash clothing before reuse. Clean shoes thoroughly before reuse. Get medical attention if symptoms occur.
<b>Inhalation</b>	If inhaled, remove to fresh air. Get medical attention if symptoms occur.
<b>Ingestion</b>	Do not induce vomiting. Never give anything by mouth to an unconscious person. If unconscious, place in recovery position and get medical attention immediately. Aspiration hazard if swallowed. Can enter lungs and cause damage. Get medical attention immediately.
<b>Protection of first-aiders</b>	No action shall be taken involving any personal risk or without suitable training. It may be dangerous to the person providing aid to give mouth-to-mouth resuscitation.

### Most important symptoms/effects, acute and delayed

See Section 11 for more detailed information on health effects and symptoms.

### Indication of immediate medical attention and special treatment needed, if necessary

<b>Notes to physician</b>	1 Treatment should in general be symptomatic and directed to relieving any effects. Product can be aspirated on swallowing or following regurgitation of stomach contents, and can cause severe and potentially fatal chemical pneumonitis, which will require urgent treatment. Because of the risk of aspiration, induction of vomiting and gastric lavage should be avoided. Gastric lavage should be undertaken only after endotracheal intubation. Monitor for cardiac dysrhythmias.
---------------------------	---

Note: High Pressure Applications  
Injections through the skin resulting from contact with the product at high pressure constitute a major medical emergency. Injuries may not appear serious at first but within a few hours tissue becomes swollen, discolored and extremely painful with extensive subcutaneous necrosis.  
Surgical exploration should be undertaken without delay. Thorough and extensive debridement of the wound and underlying tissue is necessary to minimize tissue loss and prevent or limit permanent damage. Note that high pressure may force the product considerable distances along tissue planes.

<b>Specific treatments</b>	No specific treatment.
----------------------------	------------------------

## Section 5. Fire-fighting measures

### Extinguishing media

<b>Suitable extinguishing media</b>	In case of fire, use foam, dry chemical or carbon dioxide extinguisher or spray.
<b>Unsuitable extinguishing media</b>	Do not use water jet.

<b>Product name</b> Brayco Micronic 882	<b>Product code</b> 451700-US03	<b>Page:</b> 2/9	
<b>Version</b> 2	<b>Date of issue</b> 03/27/2017.	<b>Format</b> US	<b>Language</b> ENGLISH
		(US)	(ENGLISH)

## Section 5. Fire-fighting measures

<b>Specific hazards arising from the chemical</b>	In a fire or if heated, a pressure increase will occur and the container may burst.
<b>Hazardous combustion products</b>	Combustion products may include the following: carbon dioxide carbon monoxide
<b>Special protective actions for fire-fighters</b>	Promptly isolate the scene by removing all persons from the vicinity of the incident if there is a fire. No action shall be taken involving any personal risk or without suitable training.
<b>Special protective equipment for fire-fighters</b>	Fire-fighters should wear positive pressure self-contained breathing apparatus (SCBA) and full turnout gear.

## Section 6. Accidental release measures

### Personal precautions, protective equipment and emergency procedures

<b>For non-emergency personnel</b>	No action shall be taken involving any personal risk or without suitable training. Evacuate surrounding areas. Keep unnecessary and unprotected personnel from entering. Do not touch or walk through spilled material. Avoid breathing vapor or mist. Provide adequate ventilation. Put on appropriate personal protective equipment. Floors may be slippery; use care to avoid falling. Contact emergency personnel.
<b>For emergency responders</b>	Entry into a confined space or poorly ventilated area contaminated with vapor, mist or fume is extremely hazardous without the correct respiratory protective equipment and a safe system of work. Wear self-contained breathing apparatus. Wear a suitable chemical protective suit. Chemical resistant boots. See also the information in "For non-emergency personnel".
<b>Environmental precautions</b>	Avoid dispersal of spilled material and runoff and contact with soil, waterways, drains and sewers. Inform the relevant authorities if the product has caused environmental pollution (sewers, waterways, soil or air).

### Methods and materials for containment and cleaning up

<b>Small spill</b>	Stop leak if without risk. Move containers from spill area. Absorb with an inert material and place in an appropriate waste disposal container. Dispose of via a licensed waste disposal contractor.
<b>Large spill</b>	Stop leak if without risk. Move containers from spill area. Approach release from upwind. Prevent entry into sewers, water courses, basements or confined areas. Contain and collect spillage with non-combustible, absorbent material e.g. sand, earth, vermiculite or diatomaceous earth and place in container for disposal according to local regulations. Contaminated absorbent material may pose the same hazard as the spilled product. Dispose of via a licensed waste disposal contractor.

## Section 7. Handling and storage

### Precautions for safe handling

<b>Protective measures</b>	Put on appropriate personal protective equipment (see Section 8). Avoid breathing vapor or mist. Avoid contact with eyes, skin and clothing. Empty containers retain product residue and can be hazardous. Keep in the original container or an approved alternative made from a compatible material, kept tightly closed when not in use. Do not reuse container. Do not swallow. Aspiration hazard if swallowed. Can enter lungs and cause damage. Never siphon by mouth.
<b>Advice on general occupational hygiene</b>	Eating, drinking and smoking should be prohibited in areas where this material is handled, stored and processed. Wash thoroughly after handling. Remove contaminated clothing and protective equipment before entering eating areas. See also Section 8 for additional information on hygiene measures.

<b>Product name</b>	Brayco Micronic 882	<b>Product code</b>	451700-US03	<b>Page:</b>	3/9		
<b>Version</b>	2	<b>Date of issue</b>	03/27/2017.	<b>Format</b>	<b>US</b>	<b>Language</b>	<b>ENGLISH</b>
					<b>(US)</b>		<b>(ENGLISH)</b>

## Section 7. Handling and storage

### Conditions for safe storage, including any incompatibilities

Store in accordance with local regulations. Store in original container protected from direct sunlight in a dry, cool and well-ventilated area, away from incompatible materials (see Section 10) and food and drink. Store locked up. Keep container tightly closed and sealed until ready for use. Store and use only in equipment/containers designed for use with this product. Containers that have been opened must be carefully resealed and kept upright to prevent leakage. Do not store in unlabeled containers. Use appropriate containment to avoid environmental contamination.

## Section 8. Exposure controls/personal protection

### Control parameters

#### Occupational exposure limits

☑Decene, homopolymer, hydrogenated

None.

### Appropriate engineering controls

All activities involving chemicals should be assessed for their risks to health, to ensure exposures are adequately controlled. Personal protective equipment should only be considered after other forms of control measures (e.g. engineering controls) have been suitably evaluated. Personal protective equipment should conform to appropriate standards, be suitable for use, be kept in good condition and properly maintained. Your supplier of personal protective equipment should be consulted for advice on selection and appropriate standards. For further information contact your national organisation for standards.

Provide exhaust ventilation or other engineering controls to keep the relevant airborne concentrations below their respective occupational exposure limits.

The final choice of protective equipment will depend upon a risk assessment. It is important to ensure that all items of personal protective equipment are compatible.

### Environmental exposure controls

Emissions from ventilation or work process equipment should be checked to ensure they comply with the requirements of environmental protection legislation. In some cases, fume scrubbers, filters or engineering modifications to the process equipment will be necessary to reduce emissions to acceptable levels.

### Individual protection measures

#### Hygiene measures

Wash hands, forearms and face thoroughly after handling chemical products, before eating, smoking and using the lavatory and at the end of the working period. Appropriate techniques should be used to remove potentially contaminated clothing. Wash contaminated clothing before reusing. Ensure that eyewash stations and safety showers are close to the workstation location.

#### Eye/face protection

Safety glasses with side shields.

#### Skin protection

##### Hand protection

Wear protective gloves if prolonged or repeated contact is likely. Wear chemical resistant gloves. Recommended: Nitrile gloves. The correct choice of protective gloves depends upon the chemicals being handled, the conditions of work and use, and the condition of the gloves (even the best chemically resistant glove will break down after repeated chemical exposures). Most gloves provide only a short time of protection before they must be discarded and replaced. Because specific work environments and material handling practices vary, safety procedures should be developed for each intended application. Gloves should therefore be chosen in consultation with the supplier/manufacturer and with a full assessment of the working conditions.

##### Body protection

Use of protective clothing is good industrial practice. Cotton or polyester/cotton overalls will only provide protection against light superficial contamination that will not soak through to the skin. Overalls should be laundered on a regular basis. When the risk of skin exposure is high (e.g. when cleaning up spillages or if there is a risk of splashing) then chemical resistant aprons and/or impervious chemical suits and boots will be required. Personal protective equipment for the body should be selected based on the task being performed and the risks involved and should be approved by a specialist before handling this product.

##### Other skin protection

Appropriate footwear and any additional skin protection measures should be selected based on the task being performed and the risks involved and should be approved by a specialist before handling this product.

**Product name** Brayco Micronic 882

**Product code** 451700-US03

**Page:** 4/9

**Version** 2 **Date of issue** 03/27/2017.

**Format** US

**Language** ENGLISH

(US)

(ENGLISH)

## Section 8. Exposure controls/personal protection

### Respiratory protection

In case of insufficient ventilation, wear suitable respiratory equipment.

The correct choice of respiratory protection depends upon the chemicals being handled, the conditions of work and use, and the condition of the respiratory equipment. Safety procedures should be developed for each intended application. Respiratory protection equipment should therefore be chosen in consultation with the supplier/manufacturer and with a full assessment of the working conditions.

## Section 9. Physical and chemical properties

### Appearance

Physical state	Liquid.
Color	Red. [Dark]
Odor	Mild.
Odor threshold	Not available.
pH	Not available.
Melting point	Not available.
Boiling point	Not available.
Flash point	Open cup: 205°C (401°F) [Cleveland.]
Pour point	55 °C
Evaporation rate	Not available.
Flammability (solid, gas)	Not applicable. Based on - Physical state
Lower and upper explosive (flammable) limits	Not available.
Vapor pressure	Not available.
Vapor density	Not available.
Density	<1000 kg/m <sup>3</sup> (<1 g/cm <sup>3</sup> ) at 15°C
Solubility	insoluble in water.
Partition coefficient: n-octanol/water	Not available.
Auto-ignition temperature	Not available.
Decomposition temperature	Not available.
Viscosity	Kinematic: 14 mm <sup>2</sup> /s (14 cSt) at 40°C

## Section 10. Stability and reactivity

Reactivity	No specific test data available for this product. Refer to Conditions to avoid and Incompatible materials for additional information.
Chemical stability	The product is stable.
Possibility of hazardous reactions	Under normal conditions of storage and use, hazardous reactions will not occur. Under normal conditions of storage and use, hazardous polymerization will not occur.
Conditions to avoid	No specific data.
Incompatible materials	Reactive or incompatible with the following materials: oxidizing materials.
Hazardous decomposition products	Under normal conditions of storage and use, hazardous decomposition products should not be produced.

Product name Brayco Micronic 882

Product code 451700-US03

Page: 5/9

Version 2 Date of issue 03/27/2017.

Format US

Language ENGLISH

(US)

(ENGLISH)

## Section 11. Toxicological information

### Information on toxicological effects

#### Aspiration hazard

Name	Result
 Decene, homopolymer, hydrogenated	ASPIRATION HAZARD - Category 1

**Information on the likely routes of exposure** Routes of entry anticipated: Dermal, Inhalation.

#### Potential acute health effects

<b>Eye contact</b>	No known significant effects or critical hazards.
<b>Skin contact</b>	No known significant effects or critical hazards.
<b>Inhalation</b>	Vapor inhalation under ambient conditions is not normally a problem due to low vapor pressure.
<b>Ingestion</b>	Aspiration hazard if swallowed -- harmful or fatal if liquid is aspirated into lungs.

#### Symptoms related to the physical, chemical and toxicological characteristics

<b>Eye contact</b>	No specific data.
<b>Skin contact</b>	Adverse symptoms may include the following: irritation dryness cracking
<b>Inhalation</b>	No specific data.
<b>Ingestion</b>	Adverse symptoms may include the following: nausea or vomiting

#### Delayed and immediate effects and also chronic effects from short and long term exposure

##### Short term exposure

<b>Potential immediate effects</b>	Not available.
<b>Potential delayed effects</b>	Not available.

##### Long term exposure

<b>Potential immediate effects</b>	Not available.
<b>Potential delayed effects</b>	Not available.

##### Potential chronic health effects

<b>General</b>	No known significant effects or critical hazards.
<b>Carcinogenicity</b>	No known significant effects or critical hazards.
<b>Mutagenicity</b>	No known significant effects or critical hazards.
<b>Teratogenicity</b>	No known significant effects or critical hazards.
<b>Developmental effects</b>	No known significant effects or critical hazards.
<b>Fertility effects</b>	No known significant effects or critical hazards.

#### Numerical measures of toxicity

##### Acute toxicity estimates

Not available.

<b>Product name</b>	Brayco Micronic 882	<b>Product code</b>	451700-US03	<b>Page:</b>	6/9
<b>Version</b>	2	<b>Date of issue</b>	03/27/2017.	<b>Format</b>	US (US)
				<b>Language</b>	ENGLISH (ENGLISH)

## Section 12. Ecological information

### Toxicity

No testing has been performed by the manufacturer.

### Persistence and degradability

Not expected to be rapidly degradable.

### Bioaccumulative potential

Not available.

### Mobility in soil

Soil/water partition  
coefficient (K<sub>oc</sub>)

Not available.

Mobility

Non-volatile.Liquid.insoluble in water.

### Other adverse effects

No known significant effects or critical hazards.

## Section 13. Disposal considerations

### Disposal methods

The generation of waste should be avoided or minimized wherever possible. Significant quantities of waste product residues should not be disposed of via the foul sewer but processed in a suitable effluent treatment plant. Dispose of surplus and non-recyclable products via a licensed waste disposal contractor. Disposal of this product, solutions and any by-products should at all times comply with the requirements of environmental protection and waste disposal legislation and any regional local authority requirements. Waste packaging should be recycled. Incineration or landfill should only be considered when recycling is not feasible. This material and its container must be disposed of in a safe way. Care should be taken when handling emptied containers that have not been cleaned or rinsed out. Empty containers or liners may retain some product residues. Avoid dispersal of spilled material and runoff and contact with soil, waterways, drains and sewers.

## Section 14. Transport information

	<b>DOT Classification</b>	<b>TDG Classification</b>	<b>IMDG</b>	<b>IATA</b>
<b>UN number</b>	Not regulated.	Not regulated.	Not regulated.	Not regulated.
<b>UN proper shipping name</b>	-	-	-	-
<b>Transport hazard class(es)</b>	-	-	-	-
<b>Packing group</b>	-	-	-	-
<b>Environmental hazards</b>	No.	No.	No.	No.
<b>Additional information</b>	-	-	-	-

**Special precautions for user** Not available.

**Transport in bulk according to Annex II of MARPOL and the IBC Code** Not available.

**Product name** Brayco Micronic 882

**Product code** 451700-US03

**Page:** 7/9

**Version** 2 **Date of issue** 03/27/2017.

**Format** US

**Language** ENGLISH

(US)

(ENGLISH)

## Section 15. Regulatory information

### U.S. Federal regulations

United States inventory  
(TSCA 8b)

All components are listed or exempted.

**TSCA 12(b) one-time export:** 2,2',6,6'-tetra-tert-butyl-4,4'-methylenediphenol

### SARA 302/304

#### Composition/information on ingredients

No products were found.

### SARA 311/312

#### Classification

Not applicable.

### SARA 313

#### Form R - Reporting requirements

This product does not contain any hazardous ingredients at or above regulated thresholds.

#### Supplier notification

This product does not contain any hazardous ingredients at or above regulated thresholds.

### State regulations

#### Massachusetts

None of the components are listed.

#### New Jersey

None of the components are listed.

#### Pennsylvania

None of the components are listed.

#### California Prop. 65

No products were found.

### Other regulations

#### Australia inventory (AICS)

All components are listed or exempted.

#### Canada inventory

All components are listed or exempted.

#### China inventory (IECSC)

All components are listed or exempted.

#### Japan inventory (ENCS)

All components are listed or exempted.

#### Korea inventory (KECI)

All components are listed or exempted.

#### Philippines inventory (PICCS)

All components are listed or exempted.

#### Taiwan Chemical Substances Inventory (TCSI)

Not determined.

#### REACH Status

The company, as identified in Section 1, sells this product in the EU in compliance with the current requirements of REACH.

## Section 16. Other information

### National Fire Protection Association (U.S.A.)



### History

Date of issue/Date of revision

03/27/2017.

Date of previous issue

11/22/2016.

Prepared by

Product Stewardship

### Key to abbreviations

ACGIH = American Conference of Industrial Hygienists  
ATE = Acute Toxicity Estimate  
BCF = Bioconcentration Factor  
CAS Number = Chemical Abstracts Service Registry Number  
GHS = Globally Harmonized System of Classification and Labelling of Chemicals  
IATA = International Air Transport Association  
IBC = Intermediate Bulk Container

**Product name** Brayco Micronic 882

**Product code** 451700-US03

**Page:** 8/9

**Version** 2 **Date of issue** 03/27/2017.

**Format** US

**Language** ENGLISH

(US)

(ENGLISH)



## Section 16. Other information

IMDG = International Maritime Dangerous Goods  
LogPow = logarithm of the octanol/water partition coefficient  
MARPOL = International Convention for the Prevention of Pollution From Ships, 1973 as modified by the Protocol of 1978. ("Marpol" = marine pollution)  
OEL = Occupational Exposure Limit  
SDS = Safety Data Sheet  
STEL = Short term exposure limit  
TWA = Time weighted average  
UN = United Nations  
UN Number = United Nations Number, a four digit number assigned by the United Nations Committee of Experts on the Transport of Dangerous Goods.  
Varies = may contain one or more of the following 101316-69-2, 101316-70-5, 101316-71-6, 101316-72-7, 64741-88-4, 64741-89-5, 64741-95-3, 64741-96-4, 64741-97-5, 64742-01-4, 64742-44-5, 64742-45-6, 64742-52-5, 64742-53-6, 64742-54-7, 64742-55-8, 64742-56-9, 64742-57-0, 64742-58-1, 64742-62-7, 64742-63-8, 64742-64-9, 64742-65-0, 64742-70-7, 72623-85-9, 72623-86-0, 72623-87-1, 74869-22-0, 90669-74-2

✔ Indicates information that has changed from previously issued version.

### [Notice to reader](#)

*All reasonably practicable steps have been taken to ensure this data sheet and the health, safety and environmental information contained in it is accurate as of the date specified below. No warranty or representation, express or implied is made as to the accuracy or completeness of the data and information in this data sheet.*

*The data and advice given apply when the product is sold for the stated application or applications. You should not use the product other than for the stated application or applications without seeking advice from BP Group.*

*It is the user's obligation to evaluate and use this product safely and to comply with all applicable laws and regulations. The BP Group shall not be responsible for any damage or injury resulting from use, other than the stated product use of the material, from any failure to adhere to recommendations, or from any hazards inherent in the nature of the material. Purchasers of the product for supply to a third party for use at work, have a duty to take all necessary steps to ensure that any person handling or using the product is provided with the information in this sheet. Employers have a duty to tell employees and others who may be affected of any hazards described in this sheet and of any precautions that should be taken. You can contact the BP Group to ensure that this document is the most current available. Alteration of this document is strictly prohibited.*

<b>Product name</b>	Brayco Micronic 882	<b>Product code</b>	451700-US03	<b>Page:</b> 9/9
<b>Version</b> 2	<b>Date of issue</b> 03/27/2017.	<b>Format</b> US (US)	<b>Language</b> ENGLISH (ENGLISH)	





**APPENDIX IX**

**5731**

**Safety Data Sheet  
Skydrol Hydraulic Fluid**



**Skydrol® LD4 Fire Resistant Hydraulic Fluid**

Version      Revision Date:      SDS Number:      Date of last issue: 06/02/2015  
2.2          08/09/2016          150000093409      Date of first issue: 10/24/2013  
SDSUS / PRD / 0001

---

**SECTION 1. IDENTIFICATION**

Product name                      : Skydrol® LD4 Fire Resistant Hydraulic Fluid

Product code                      : P3410201

**Manufacturer or supplier's details**

Company name of supplier      : Eastman Chemical Company

Address                              : 200 South Wilcox Drive  
   Kingsport TN 37660-5280

Telephone                         : (423) 229-2000

Emergency telephone number   : CHEMTREC: +1-800-424-9300, +1-703-527-3887 CCN7321  
   For emergency transportation information, in the United States:  
   call CHEMTREC at 800-424-9300 or call 423-229-2000.

**Recommended use of the chemical and restrictions on use**

Recommended use                : Hydraulic fluids

Restrictions on use              : None known.

---

**SECTION 2. HAZARDS IDENTIFICATION****GHS Classification**

Skin irritation                    : Category 2

Carcinogenicity                 : Category 2

**GHS label elements**

Hazard pictograms              :



Signal word                       : Warning

Hazard statements               : H315 Causes skin irritation.  
   H351 Suspected of causing cancer.

Precautionary statements     : **Prevention:**  
   P201 Obtain special instructions before use.  
   P202 Do not handle until all safety precautions have been read  
   and understood.  
   P264 Wash skin thoroughly after handling.  
   P280 Wear protective gloves/ protective clothing/ eye protection/  
   face protection.

---

**Skydrol® LD4 Fire Resistant Hydraulic Fluid**

Version      Revision Date:      SDS Number:      Date of last issue: 06/02/2015  
 2.2          08/09/2016          150000093409      Date of first issue: 10/24/2013  
 SDSUS / PRD / 0001

**Response:**

P302 + P352 IF ON SKIN: Wash with plenty of soap and water.  
 P308 + P313 IF exposed or concerned: Get medical advice/  
 attention.

P332 + P313 If skin irritation occurs: Get medical advice/  
 attention.

P362 Take off contaminated clothing and wash before reuse.

**Storage:**

P405 Store locked up.

**Disposal:**

P501 Dispose of contents/ container to an approved waste disposal plant.

**Other hazards**

None known.

**SECTION 3. COMPOSITION/INFORMATION ON INGREDIENTS****Components**

Chemical name	CAS-No.	Concentration (% w/w)
Tributyl phosphate	126-73-8	55 - 65
Dibutylphenylphosphate	2528-36-1	20 - 30
Butyl diphenyl phosphate	2752-95-6	5 - 10
7-Oxabicyclo[4.1.0]heptane-3-carboxylic acid, 2-ethylhexyl ester	62256-00-2	< 10
butylated hydroxytoluene	128-37-0	1

**SECTION 4. FIRST AID MEASURES**

- If inhaled : Move to fresh air.  
 If breathing is difficult, give oxygen.  
 Consult a physician if necessary.
- In case of skin contact : Wash off immediately with plenty of water for at least 15 minutes.  
 Get medical attention if symptoms occur.  
 Wash contaminated clothing before reuse.
- In case of eye contact : In case of contact, immediately flush eyes with plenty of water for at least 15 minutes.  
 Get medical attention if symptoms occur.
- If swallowed : Call a physician or poison control centre immediately.  
 Do not induce vomiting without medical advice.  
 Rinse mouth.  
 Never give anything by mouth to an unconscious person.
- Most important symptoms and effects, both acute and delayed : Causes skin irritation.  
 Suspected of causing cancer.

**Skydrol® LD4 Fire Resistant Hydraulic Fluid**

Version 2.2      Revision Date: 08/09/2016      SDS Number: 150000093409      Date of last issue: 06/02/2015  
Date of first issue: 10/24/2013

SDSUS / PRD / 0001

---

Notes to physician : Treat symptomatically.

---

**SECTION 5. FIREFIGHTING MEASURES**

- Suitable extinguishing media : Water spray  
Carbon dioxide (CO<sub>2</sub>)  
Dry chemical  
Foam
- Unsuitable extinguishing media : Do not use a solid water stream as it may scatter and spread fire.
- Hazardous combustion products : carbon dioxide, carbon monoxide  
oxides of phosphorus
- Further information : Use a water spray to cool fully closed containers.  
Do not allow run-off from fire fighting to enter drains or water courses.
- Special protective equipment for firefighters : Wear an approved positive pressure self-contained breathing apparatus in addition to standard fire fighting gear.
- 

**SECTION 6. ACCIDENTAL RELEASE MEASURES**

- Personal precautions, protective equipment and emergency procedures : Ventilate the area.  
Avoid breathing dust/ fume/ gas/ mist/ vapours/ spray.  
Avoid contact with skin and eyes.  
Material can create slippery conditions.  
Wear appropriate personal protective equipment.  
Local authorities should be advised if significant spillages cannot be contained.
- Environmental precautions : Clear up spills immediately and dispose of waste safely.  
Avoid release to the environment.  
Collect spillage.
- Methods and materials for containment and cleaning up : Contain spillage, soak up with non-combustible absorbent material, (e.g. sand, earth, diatomaceous earth, vermiculite) and transfer to a container for disposal according to local / national regulations (see section 13).
- 

**SECTION 7. HANDLING AND STORAGE**

- Advice on safe handling : Do not breathe vapours or spray mist.  
Handle product only in closed system or provide appropriate exhaust ventilation at machinery.  
In case of insufficient ventilation, wear suitable respiratory equipment.  
Wear appropriate personal protective equipment.  
Avoid contact with skin, eyes and clothing.
-

**Skydrol® LD4 Fire Resistant Hydraulic Fluid**

Version      Revision Date:      SDS Number:      Date of last issue: 06/02/2015  
 2.2          08/09/2016          15000093409      Date of first issue: 10/24/2013  
 SDSUS / PRD / 0001

Wash thoroughly after handling.  
 Wash contaminated clothing before reuse.  
 Drain or remove substance from equipment prior to break-in or maintenance.  
 Handle in accordance with good industrial hygiene and safety practice.

Conditions for safe storage : Store locked up.  
 Keep container tightly closed in a dry and well-ventilated place.  
 Keep in a cool place away from oxidizing agents.

**SECTION 8. EXPOSURE CONTROLS/PERSONAL PROTECTION****Components with workplace control parameters**

Components	CAS-No.	Value type (Form of exposure)	Control parameters / Permissible concentration	Basis
Tributyl phosphate	126-73-8	TWA (Inhalable fraction and vapor)	5 mg/m <sup>3</sup>	ACGIH
		TWA	0.2 ppm 2.5 mg/m <sup>3</sup>	NIOSH REL
		TWA	5 mg/m <sup>3</sup>	OSHA Z-1
		TWA	0.2 ppm 2.5 mg/m <sup>3</sup>	OSHA P0
Dibutylphenylphosphate	2528-36-1	TWA	0.3 ppm	ACGIH
butylated hydroxytoluene	128-37-0	TWA (Inhalable fraction and vapor)	2 mg/m <sup>3</sup>	ACGIH
		TWA	10 mg/m <sup>3</sup>	NIOSH REL
		TWA	10 mg/m <sup>3</sup>	OSHA P0

**Hazardous components without workplace control parameters**

Components	CAS-No.
7-Oxabicyclo[4.1.0]heptane-3-carboxylic acid, 2-ethylhexyl ester	62256-00-2

**Engineering measures** : Good general ventilation (typically 10 air changes per hour) should be used. Ventilation rates should be matched to conditions. If applicable, use process enclosures, local exhaust ventilation, or other engineering controls to maintain airborne levels below recommended exposure limits. If exposure limits have not been established, maintain airborne levels to an acceptable level.

**Personal protective equipment**

Respiratory protection : Use a properly fitted, particulate filter respirator complying with an approved standard if a risk assessment indicates this is necessary.



**Skydrol® LD4 Fire Resistant Hydraulic Fluid**

Version	Revision Date:	SDS Number:	Date of last issue: 06/02/2015
2.2	08/09/2016	150000093409	Date of first issue: 10/24/2013

SDSUS / PRD / 0001

Respirator selection, use, and maintenance must be in accordance with regulatory requirements, if applicable. If engineering controls do not maintain airborne concentrations below recommended exposure limits (where applicable) or to an acceptable level (in countries where exposure limits have not been established), an approved respirator must be worn.

## Hand protection

Remarks : Wear suitable gloves. Please observe the instructions regarding permeability and breakthrough time which are provided by the supplier of the gloves. Also take into consideration the specific local conditions under which the product is used, such as the danger of cuts, abrasion, and the contact time. After contamination with product change the gloves immediately and dispose of them according to relevant national and local regulations.

Eye protection : Wear safety glasses with side shields (or goggles).

Skin and body protection : Wear suitable protective clothing.

Protective measures : Ensure that eye flushing systems and safety showers are located close to the working place.

**SECTION 9. PHYSICAL AND CHEMICAL PROPERTIES**

Appearance	: oily
Colour	: purple
Odour	: odourless
pH	: No data available
Melting point/range	: < -62 °C
Flash point	: 160 °C Method: Cleveland open cup
Vapour pressure	: 0.27 hPa (25 °C)
Relative density	: 1.004 - 1.014 (25 °C)
Viscosity	
Viscosity, kinematic	: < 2000 mm <sup>2</sup> /s (-54 °C)
	11.15 mm <sup>2</sup> /s (38 °C)
	3.83 mm <sup>2</sup> /s (99 °C)

**Skydrol® LD4 Fire Resistant Hydraulic Fluid**

Version 2.2      Revision Date: 08/09/2016      SDS Number: 150000093409      Date of last issue: 06/02/2015  
Date of first issue: 10/24/2013  
SDSUS / PRD / 0001

---

**SECTION 10. STABILITY AND REACTIVITY**

Reactivity : None reasonably foreseeable.

Chemical stability : Stable under normal conditions.

Possibility of hazardous reactions : None known.

Conditions to avoid : None known.

Incompatible materials : Strong oxidizing agents

Hazardous decomposition products : Emits acrid smoke and fumes when heated to decomposition.

---

**SECTION 11. TOXICOLOGICAL INFORMATION****Acute toxicity**

Not classified based on available information.

**Product:**

Acute oral toxicity : LD50 (Rat, Male and Female): 2,100 mg/kg

Acute inhalation toxicity : LC50 (Rat, male): > 5.8 mg/l  
Exposure time: 4 h  
Test atmosphere: dust/mist  
Assessment: The substance or mixture has no acute inhalation toxicity  
Remarks: (highest concentration tested)

Acute dermal toxicity : LD50 Dermal (Rabbit, Male and Female): > 3,160 mg/kg  
Assessment: The substance or mixture has no acute dermal toxicity

**Components:****Tributyl phosphate:**

Acute oral toxicity : LD50 Oral (Rat, Male and Female): 1,553 mg/kg  
Method: Acute Oral Toxicity  
Assessment: Harmful if swallowed.

Acute inhalation toxicity : LC50 (Rat, Male and Female): > 4.242 mg/l  
Exposure time: 4 h  
Test atmosphere: dust/mist  
Assessment: The substance or mixture has no acute inhalation toxicity

Acute dermal toxicity : LD50 Dermal (Rabbit, Male and Female): > 3,100 mg/kg  
Assessment: The substance or mixture has no acute dermal toxicity

**Dibutylphenylphosphate:**

**Skydrol® LD4 Fire Resistant Hydraulic Fluid**

Version      Revision Date:      SDS Number:      Date of last issue: 06/02/2015  
 2.2          08/09/2016          150000093409      Date of first issue: 10/24/2013  
 SDSUS / PRD / 0001

Acute oral toxicity                      : Acute toxicity estimate (Rat, Male and Female): 2,400 - 3,000 mg/kg  
 Assessment: Not classified

Acute inhalation toxicity                : LCLo (Rat, Male and Female): > 5 mg/l  
 Exposure time: 4 h  
 Test atmosphere: dust/mist

LC50 (Rat, Male and Female): > 5 mg/l  
 Exposure time: 4 h  
 Test atmosphere: dust/mist  
 Assessment: Not classified

Acute dermal toxicity                    : LD50 Dermal (Rabbit, Male and Female): > 5,000 mg/kg  
 Assessment: Not classified

**7-Oxabicyclo[4.1.0]heptane-3-carboxylic acid, 2-ethylhexyl ester:**

Acute oral toxicity                      : LD50 Oral (Rat, Male and Female): 4,470 mg/kg

Acute dermal toxicity                    : LD50 Dermal (Rabbit, Male and Female): > 7,940 mg/kg

**butylated hydroxytoluene:**

Acute oral toxicity                      : LD50 Oral (Rat): > 6,000 mg/kg

Acute dermal toxicity                    : LD50 Dermal (Guinea pig): > 20,000 mg/kg

**Skin corrosion/irritation**

Causes skin irritation.

**Product:**

Species: Rabbit  
 Exposure time: 24 h  
 Assessment: irritating  
 Result: moderate irritation

**Components:****Tributyl phosphate:**

Species: Rabbit  
 Exposure time: 4 h  
 Assessment: Causes skin irritation.  
 Method: Acute Dermal Irritation / Corrosion  
 Result: irritating

**Dibutylphenylphosphate:**

Species: Rabbit  
 Assessment: Not classified

Species: Humans  
 Exposure time: 24 h  
 Assessment: Not classified

**7-Oxabicyclo[4.1.0]heptane-3-carboxylic acid, 2-ethylhexyl ester:**

Species: Rabbit

**Skydrol® LD4 Fire Resistant Hydraulic Fluid**

Version 2.2      Revision Date: 08/09/2016      SDS Number: 150000093409      Date of last issue: 06/02/2015  
Date of first issue: 10/24/2013  
SDSUS / PRD / 0001

---

Exposure time: 24 h  
Assessment: Not classified as hazardous.  
Result: slight to moderate irritation

**butylated hydroxytoluene:**

Species: Rabbit  
Exposure time: 24 h  
Result: very slight

**Serious eye damage/eye irritation**

Not classified based on available information.

**Product:**

Species: Rabbit  
Result: slight  
Exposure time: 24 h  
Assessment: Not classified

**Components:****Tributyl phosphate:**

Species: Rabbit  
Result: slight irritation  
Exposure time: 24 h  
Assessment: Not classified  
Method: Acute Eye Irritation / Corrosion

**Dibutylphenylphosphate:**

Species: Rabbit  
Result: slight  
Assessment: Not classified

**7-Oxabicyclo[4.1.0]heptane-3-carboxylic acid, 2-ethylhexyl ester:**

Species: Rabbit  
Result: slight irritation  
Exposure time: 24 h  
Assessment: Not classified

**butylated hydroxytoluene:**

Species: Rabbit  
Result: none

**Respiratory or skin sensitisation**

Skin sensitisation: Not classified based on available information.  
Respiratory sensitisation: Not classified based on available information.

**Product:**

Test Type: Human experience  
Assessment: Not classified  
Method: Human Repeat Insult Patch Test  
Result: Does not cause skin sensitisation.

**Components:**

**Skydrol® LD4 Fire Resistant Hydraulic Fluid**

Version 2.2      Revision Date: 08/09/2016      SDS Number: 150000093409      Date of last issue: 06/02/2015  
Date of first issue: 10/24/2013  
SDSUS / PRD / 0001

---

**Tributyl phosphate:**

Test Type: Skin Sensitization  
Species: Guinea pig  
Assessment: Not classified  
Result: Does not cause skin sensitisation.

Test Type: Skin Sensitization  
Species: Humans  
Assessment: Not classified  
Result: Does not cause skin sensitisation.

**Dibutylphenylphosphate:**

Test Type: Human experience  
Species: Humans  
Assessment: Not classified  
Result: non-sensitizing

**7-Oxabicyclo[4.1.0]heptane-3-carboxylic acid, 2-ethylhexyl ester:**

Test Type: Skin Sensitization  
Species: Guinea pig  
Result: May cause sensitisation by skin contact.

**butylated hydroxytoluene:**

Test Type: Skin sensitisation  
Species: Guinea pig  
Result: non-sensitizing

**Germ cell mutagenicity**

Not classified based on available information.

**Product:**

Genotoxicity in vitro : Test Type: Salmonella typhimurium assay (Ames test)  
Metabolic activation: +/- activation  
Result: negative

: Test Type: Mutagenicity - Mammalian  
Metabolic activation: +/- activation  
Method: In vitro Mammalian Chromosome Aberration Test  
Result: negative

**Components:****Tributyl phosphate:**

Genotoxicity in vitro : Test Type: Mutagenicity - Bacterial  
Metabolic activation: +/- activation  
Method: Bacterial Reverse Mutation Assay  
Result: negative

: Test Type: Mutagenicity - Mammalian  
Metabolic activation: +/- activation  
Method: In vitro Mammalian Chromosome Aberration Test  
Result: equivocal

Genotoxicity in vivo : Species: Rat (Male and Female)

**Skydrol® LD4 Fire Resistant Hydraulic Fluid**

Version 2.2      Revision Date: 08/09/2016      SDS Number: 150000093409      Date of last issue: 06/02/2015  
Date of first issue: 10/24/2013  
SDSUS / PRD / 0001

---

Application Route: oral: gavage  
Method: Mammalian Bone Marrow Chromosome Aberration Test  
Result: negative

**Dibutylphenylphosphate:**

Genotoxicity in vitro

- : Test Type: Salmonella typhimurium assay (Ames test)  
Metabolic activation: +/- activation  
Method: Bacterial Reverse Mutation Assay  
Result: negative
- : Test Type: Mutagenicity - Mammalian  
Metabolic activation: +/- activation  
Method: In vitro Mammalian Cell Gene Mutation Test  
Result: negative
- : Test Type: Chromosome aberration test in vitro  
Metabolic activation: +/- activation  
Method: In vitro Mammalian Chromosome Aberration Test  
Result: negative
- : Test Type: Mutagenicity - Mammalian  
Metabolic activation: - activation  
Method: Genetic Toxicology: DNA Damage and Repair, Un-scheduled DNA Synthesis in Mammalian Cells In Vitro  
Result: negative

Genotoxicity in vivo

- : Species: Rat (Male and Female)  
Application Route: intraperitoneal injection  
Result: negative

**7-Oxabicyclo[4.1.0]heptane-3-carboxylic acid, 2-ethylhexyl ester:**

Genotoxicity in vitro

- : Test Type: Salmonella typhimurium assay (Ames test)  
Metabolic activation: +/- activation  
Method: Bacterial Reverse Mutation Assay  
Result: negative
- : Test Type: Mutagenicity - Mammalian  
Metabolic activation: +/- activation  
Method: In vitro Mammalian Chromosome Aberration Test  
Result: equivocal
- : Test Type: Mutagenicity - Mammalian  
Metabolic activation: +/- activation  
Method: In vitro Mammalian Cell Gene Mutation Test  
Result: negative

Genotoxicity in vivo

- : Species: Rat (Male and Female)  
Application Route: intraperitoneal injection  
Method: Mammalian Bone Marrow Chromosome Aberration Test  
Result: equivocal

**Skydrol® LD4 Fire Resistant Hydraulic Fluid**

Version 2.2      Revision Date: 08/09/2016      SDS Number: 150000093409      Date of last issue: 06/02/2015  
 Date of first issue: 10/24/2013  
 SDSUS / PRD / 0001

**Carcinogenicity**

Suspected of causing cancer.

**Components:****Tributyl phosphate:**

Species: Rat, (Male and Female)  
 Application Route: Ingestion  
 Method: EPA OTS 798.3300  
 Remarks: Limited evidence of a carcinogenic effect.  
 May cause cancer.

**IARC**

No component of this product present at levels greater than or equal to 0.1% is identified as probable, possible or confirmed human carcinogen by IARC.

**OSHA**

No component of this product present at levels greater than or equal to 0.1% is identified as a carcinogen or potential carcinogen by OSHA.

**NTP**

No component of this product present at levels greater than or equal to 0.1% is identified as a known or anticipated carcinogen by NTP.

**Reproductive toxicity**

Not classified based on available information.

**Components:****Tributyl phosphate:**

Effects on fertility :  
 Test Type: Two Generation Reproductive Toxicity Study  
 Species: Rat  
 Sex: Male and Female  
 Application Route: Ingestion  
 NOAEL: 225 mg/kg,  
 Method: EPA OTS 798.4900

Effects on foetal development : Species: Rat  
 Application Route: Oral  
 750 mg/kg  
 Method: EPA OTS 798.4900

**Dibutylphenylphosphate:**

Effects on fertility :  
 Species: Rat  
 Sex: Male and Female  
 Application Route: Ingestion  
 NOAEL: 5 mg/l,  
 F1: Lowest observed adverse effect level 50 mg/kg,  
 F2: Lowest observed adverse effect level 50 mg/kg,  
 Method: EPA OTS 798.4900

Effects on foetal development : Species: Rat  
 Application Route: oral (gavage)

**Skydrol® LD4 Fire Resistant Hydraulic Fluid**

Version 2.2      Revision Date: 08/09/2016      SDS Number: 150000093409      Date of last issue: 06/02/2015  
Date of first issue: 10/24/2013  
SDSUS / PRD / 0001

---

300 mg/kg  
3 mg/kg

**STOT - single exposure**

Not classified based on available information.

**Components:****Tributyl phosphate:**

Assessment: Based on available data, the classification criteria are not met.

**Dibutylphenylphosphate:**

Assessment: Not classified

**STOT - repeated exposure**

Not classified based on available information.

**Components:****Tributyl phosphate:**

Assessment: Based on available data, the classification criteria are not met.

**Dibutylphenylphosphate:**

Exposure routes: inhalation (dust/mist/fume)

Target Organs: Respiratory system

Assessment: Not classified

**Repeated dose toxicity****Product:**

Species: Rat, Male and Female

NOAEL: 40 mg/m<sup>3</sup>

Application Route: Inhalation

Exposure time: 28 days

Target Organs: Blood, Respiratory system

Remarks: Irritating to eyes and respiratory system.

**Components:****Tributyl phosphate:**

Species: Mouse, Male and Female

NOEL: 75 mg/kg

Application Route: in feed

Exposure time: 90 days

**Dibutylphenylphosphate:**

Species: Rat, Male and Female

NOAEL: 5 mg/kg

LOAEL: 50 mg/kg

Application Route: oral (feed)

Exposure time: 90 days

Species: Rat, Male and Female

NOAEC: 5 mg/m<sup>3</sup>

Application Route: Inhalation



**Skydrol® LD4 Fire Resistant Hydraulic Fluid**

Version 2.2      Revision Date: 08/09/2016      SDS Number: 150000093409      Date of last issue: 06/02/2015  
Date of first issue: 10/24/2013  
SDSUS / PRD / 0001

---

Exposure time: 90 days

Species: Rabbit, Male and Female  
No observed adverse effect level: 100 mg/kg bw/day  
Application Route: Dermal Study  
Exposure time: 21 d

**Aspiration toxicity**

Not classified based on available information.

**Product:**

Not applicable

**Components:**

**7-Oxabicyclo[4.1.0]heptane-3-carboxylic acid, 2-ethylhexyl ester:**

Not applicable

**Experience with human exposure****Product:**

Inhalation : Remarks: None known.  
Skin contact : Remarks: Causes skin irritation.  
Eye contact : Remarks: Contact with the eyes may be very painful but does not cause damage.  
Ingestion : Remarks: None known.

---

**SECTION 12. ECOLOGICAL INFORMATION****Ecotoxicity****Product:**

Toxicity to fish : LC50 (Oncorhynchus mykiss (rainbow trout)): 5.2 mg/l  
Exposure time: 96 h  
Toxicity to daphnia and other aquatic invertebrates : LC50 (Daphnia magna (Water flea)): 5.8 mg/l  
Exposure time: 48 h  
Toxicity to algae : EC50 (Selenastrum capricornutum (green algae)): 8.2 mg/l  
Exposure time: 96 h

**Components:****Tributyl phosphate:**

Toxicity to fish : LC50 (Oncorhynchus mykiss (rainbow trout)): 4.2 mg/l  
Exposure time: 96 h  
Toxicity to daphnia and other : EC50 (Daphnia magna (Water flea)): 1.8 mg/l

---

**Skydrol® LD4 Fire Resistant Hydraulic Fluid**

Version 2.2      Revision Date: 08/09/2016      SDS Number: 150000093409      Date of last issue: 06/02/2015  
 Date of first issue: 10/24/2013  
 SDSUS / PRD / 0001

aquatic invertebrates	Exposure time: 48 h
Toxicity to algae	: EC50 (Desmodesmus subspicatus (Scenedesmus subspicatus)): 1.1 mg/l Exposure time: 72 h
Toxicity to fish (Chronic toxicity)	: NOEC (Oncorhynchus mykiss (rainbow trout)): 0.82 mg/l Exposure time: 95 d  1.7 mg/l
Toxicity to daphnia and other aquatic invertebrates (Chronic toxicity)	: NOEC (Daphnia magna (Water flea)): 1.3 mg/l Exposure time: 21 d
<b>Dibutylphenylphosphate:</b>	
Toxicity to fish	: LL50 (Cyprinus carpio (Carp)): 1.8 mg/l Exposure time: 96 h
Toxicity to daphnia and other aquatic invertebrates	: EC50 (Daphnia magna (Water flea)): 1.4 mg/l Exposure time: 48 h
Toxicity to algae	: EL50 (Selenastrum capricornutum (green algae)): 9.6 mg/l Exposure time: 72 h Method: EL50 method of the water accommodated fraction (W.A.F.)  NOELR (Selenastrum capricornutum (green algae)): 3.5 mg/l Exposure time: 72 h Method: EL50 method of the water accommodated fraction (W.A.F.)
Toxicity to fish (Chronic toxicity)	: NOEC (Oncorhynchus mykiss (rainbow trout)): > 0.11 mg/l Exposure time: 60 d
Toxicity to daphnia and other aquatic invertebrates (Chronic toxicity)	: NOEC (Daphnia magna (Water flea)): 0.106 mg/l Exposure time: 21 d
<b>butylated hydroxytoluene:</b>	
Toxicity to fish	: LC50 (Fish): 0.199 mg/l Exposure time: 96 h
Toxicity to daphnia and other aquatic invertebrates	: EC50 (Daphnia (water flea)): 0.48 mg/l Exposure time: 48 h
Toxicity to algae	: EC50 (Chlorella pyrenoidosa (aglae)): 0.758 mg/l Exposure time: 96 h

**Persistence and degradability****Product:**

Biochemical Oxygen Demand (BOD) : Remarks: not determined

**Skydrol® LD4 Fire Resistant Hydraulic Fluid**

Version 2.2      Revision Date: 08/09/2016      SDS Number: 150000093409      Date of last issue: 06/02/2015  
Date of first issue: 10/24/2013  
SDSUS / PRD / 0001

---

Chemical Oxygen Demand (COD) : Remarks: not determined

**Components:****Tributyl phosphate:**

Biodegradability : Result: Readily biodegradable

**Dibutylphenylphosphate:**

Biodegradability : Method: Ready Biodegradability: Manometric Respirometry Test

Remarks: Readily biodegradable

Method: Ready Biodegradability: Modified MITI Test (I)

Remarks: Not readily biodegradable.

**7-Oxabicyclo[4.1.0]heptane-3-carboxylic acid, 2-ethylhexyl ester:**

Biodegradability : Concentration: 100 mg/l  
Method: Ready Biodegradability: Modified MITI Test (I)  
Remarks: Readily biodegradable

**Bioaccumulative potential****Components:****Tributyl phosphate:**

Bioaccumulation : Species: Cyprinus carpio (Carp)  
Bioconcentration factor (BCF): 20  
Exposure time: 56 d  
Method: OECD Test Guideline 305

Bioconcentration factor (BCF): 35

Exposure time: 38 d

Partition coefficient: n-octanol/water : Pow: 10,100

**Dibutylphenylphosphate:**

Bioaccumulation : Species: Cyprinus carpio (Carp)  
Bioconcentration factor (BCF): 35  
Method: OECD Test Guideline 305

**Mobility in soil**

No data available

**Other adverse effects****Product:**

Ozone-Depletion Potential :

Regulation: 40 CFR Protection of Environment; Part 82 Protection of Stratospheric Ozone - CAA Section 602 Class I Substances

**Skydrol® LD4 Fire Resistant Hydraulic Fluid**

Version      Revision Date:      SDS Number:      Date of last issue: 06/02/2015  
2.2          08/09/2016          150000093409      Date of first issue: 10/24/2013  
SDSUS / PRD / 0001

---

Remarks: This product neither contains, nor was manufactured with a Class I or Class II ODS as defined by the U.S. Clean Air Act Section 602 (40 CFR 82, Subpt. A, App.A + B).

---

**SECTION 13. DISPOSAL CONSIDERATIONS****Disposal methods**

Waste from residues : This product meets the criteria for a synthetic used oil under the U.S. EPA Standards for the Management of Used Oil (40 CFR 279). Those standards govern recycling and disposal in lieu of 40 CFR 260 -272 of the Federal hazardous waste program in states that have adopted these used oil regulations. Consult your attorney or appropriate regulatory official to be sure these standards have been adopted in your state. Recycle or burn in accordance with the applicable standards. Dispose of in accordance with local regulations.

---

**SECTION 14. TRANSPORT INFORMATION****International Regulation****IATA-DGR**

Not regulated as a dangerous good

**IMDG-Code**

Not regulated as a dangerous good

**Transport in bulk according to Annex II of MARPOL 73/78 and the IBC Code**

Not applicable for product as supplied.

**National Regulations****49 CFR**

Not regulated as a dangerous good

---

**SECTION 15. REGULATORY INFORMATION****EPCRA - Emergency Planning and Community Right-to-Know Act****SARA 311/312 Hazards**

: Acute Health Hazard  
Chronic Health Hazard

**SARA 302**

: No chemicals in this material are subject to the reporting requirements of SARA Title III, Section 302.

**SARA 313**

: This material does not contain any chemical components with known CAS numbers that exceed the threshold (De Minimis) reporting levels established by SARA Title III, Section 313.

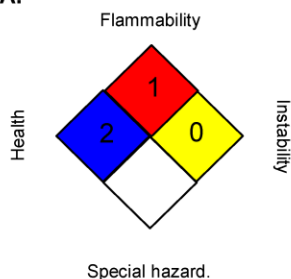
**Clean Air Act**



**Skydrol® LD4 Fire Resistant Hydraulic Fluid**

Version 2.2      Revision Date: 08/09/2016      SDS Number: 150000093409      Date of last issue: 06/02/2015  
 Date of first issue: 10/24/2013  
 SDSUS / PRD / 0001

Association; IBC - International Code for the Construction and Equipment of Ships carrying Dangerous Chemicals in Bulk; IC50 - Half maximal inhibitory concentration; ICAO - International Civil Aviation Organization; IECSC - Inventory of Existing Chemical Substances in China; IMDG - International Maritime Dangerous Goods; IMO - International Maritime Organization; ISHL - Industrial Safety and Health Law (Japan); ISO - International Organisation for Standardization; KECI - Korea Existing Chemicals Inventory; LC50 - Lethal Concentration to 50 % of a test population; LD50 - Lethal Dose to 50% of a test population (Median Lethal Dose); MARPOL - International Convention for the Prevention of Pollution from Ships; MSHA - Mine Safety and Health Administration; n.o.s. - Not Otherwise Specified; NFPA - National Fire Protection Association; NO(A)EC - No Observed (Adverse) Effect Concentration; NO(A)EL - No Observed (Adverse) Effect Level; NOELR - No Observable Effect Loading Rate; NTP - National Toxicology Program; NZIoC - New Zealand Inventory of Chemicals; OECD - Organization for Economic Co-operation and Development; OPPTS - Office of Chemical Safety and Pollution Prevention; PBT - Persistent, Bioaccumulative and Toxic substance; PICCS - Philippines Inventory of Chemicals and Chemical Substances; (Q)SAR - (Quantitative) Structure Activity Relationship; RCRA - Resource Conservation and Recovery Act; REACH - Regulation (EC) No 1907/2006 of the European Parliament and of the Council concerning the Registration, Evaluation, Authorisation and Restriction of Chemicals; RQ - Reportable Quantity; SADT - Self-Accelerating Decomposition Temperature; SARA - Superfund Amendments and Reauthorization Act; SDS - Safety Data Sheet; TCSI - Taiwan Chemical Substance Inventory; TSCA - Toxic Substances Control Act (United States); UN - United Nations; UNRTDG - United Nations Recommendations on the Transport of Dangerous Goods; vPvB - Very Persistent and Very Bioaccumulative

**Further information****NFPA:****HMIS III:**

HEALTH	2*
FLAMMABILITY	1
PHYSICAL HAZARD	0

0 = not significant, 1 = Slight,  
 2 = Moderate, 3 = High  
 4 = Extreme, \* = Chronic

Sources of key data used to compile the Safety Data Sheet : [www.EastmanAviationSolutions.com](http://www.EastmanAviationSolutions.com)  
 Revision Date : 08/09/2016

The information provided in this Safety Data Sheet is correct to the best of our knowledge, information and belief at the date of its publication. The information given is designed only as a guidance for safe handling, use, processing, storage, transportation, disposal and release and is not to be considered a warranty or quality specification. The information relates only to the specific material designated and may not be valid for such material used in combination with any other materials or in any process, unless specified in the text.

**Skydrol® LD4 Fire Resistant Hydraulic Fluid**

Version	Revision Date:	SDS Number:	Date of last issue: 06/02/2015
2.2	08/09/2016	150000093409	Date of first issue: 10/24/2013

SDSUS / PRD / 0001

---

US / EN







## APPENDIX X

### Instrument Certification Notice





## Instrument Certification Notice

The gauge Certificates of Calibration supplied for the gauge(s) on this unit contain the calibration data for the actual instrument calibrated, along with the calibration date of the **STANDARD** used to perform the calibration check.

The due date for re-calibration of the instrument should be based upon the date the instrument was placed in service in your facility. Re-calibration should be done on a periodic basis as dictated by the end user's quality system or other overriding requirements.

Note that Tronair, Inc. does not supply certificates of calibration on flow meters or pyrometers unless requested at the time of placed order. These instruments are considered reference indicators only and are not critical to the test(s) being performed on the aircraft.