

**Model: 9092-012**  
**Wheel Dolly**

07/2019 – Rev. 01

REVISION  
01

DATE  
07/2019

TEXT AFFECTED  
Original release

**TABLE OF CONTENTS**

	<b><u>PAGE</u></b>
<b>1.0 PRODUCT INFORMATION .....</b>	<b>1</b>
1.1 DESCRIPTION.....	1
1.2 MODEL & SERIAL NUMBER.....	1
1.3 MANUFACTURER .....	1
1.4 SPECIFICATIONS .....	1
<b>2.0 SAFETY INFORMATION.....</b>	<b>1</b>
2.1 USAGE AND SAFETY INFORMATION .....	1
<b>3.0 TRAINING .....</b>	<b>1</b>
3.1 TRAINING REQUIREMENTS .....	1
3.2 TRAINING PROGRAM .....	1
3.3 OPERATOR TRAINING .....	1
<b>4.0 OPERATION.....</b>	<b>1</b>
4.1 WHEEL REMOVAL.....	1
<b>5.0 MAINTENANCE.....</b>	<b>2</b>
<b>6.0 PROVISION OF SPARES.....</b>	<b>2</b>
6.1 SOURCE OF SPARE PARTS.....	2
6.2 RECOMMENDED SPARE PARTS LISTS .....	2
<b>7.0 IN SERVICE SUPPORT.....</b>	<b>2</b>
<b>8.0 GUARANTEES/LIMITATION OF LIABILITY .....</b>	<b>2</b>

This product can not be modified without the written approval of Tronair, Inc. Any modifications done without written approval voids all warranties and releases Tronair, Inc., its suppliers, distributors, employees, or financial institutions from any liability from consequences that may occur. Only Tronair OEM replacement parts shall be used.

## **1.0 PRODUCT INFORMATION**

### **1.1 DESCRIPTION**

Wheel Dolly

### **1.2 MODEL & SERIAL NUMBER**

Reference nameplate on unit

### **1.3 MANUFACTURER**

Columbus**Jack**/Regent  
1 Air Cargo Pkwy East  
Swanton, Ohio 43558 USA

Telephone: 614.443.7492  
Fax: 614.444.9337  
E-mail: sales@columbusjack.com  
Website: www.columbusjack.com

### **1.4 SPECIFICATIONS**

Capacity ..... 750 lbs (340 kg)  
Tire Minimum Diameter ..... 30 in (76.2 cm)  
Tire Maximum Diameter ..... 55 in (139.7 cm)  
Estimated Weight ..... 500 lbs (227 kg)  
Towing Speed ..... 3 mph (4.8 kph)

## **2.0 SAFETY INFORMATION**

### **2.1 USAGE AND SAFETY INFORMATION**

To insure safe operations please read the following statements and understand their meaning. Also refer to your equipment manufacturer's manual for other important safety information. This manual contains safety precautions which are explained below. Please read carefully.



**WARNING!** — Warning is used to indicate the presence of a hazard that **can cause severe personal injury, death, or substantial property damage** if the warning notice is ignored.

**CAUTION!** — Caution is used to indicate the presence of a hazard that **will or can cause minor personal injury or property damage** if the caution notice is ignored.

## **3.0 TRAINING**

### **3.1 TRAINING REQUIREMENTS**

The employer of the operator is responsible for providing a training program sufficient for the safe operation of the unit.

### **3.2 TRAINING PROGRAM**

The employer provided operator training program should cover safety procedures concerning use of the unit in and around the intended aircraft at the intended aircraft servicing location.

### **3.3 OPERATOR TRAINING**

The operator training should provide the required training for safe operation of the unit.

**NOTE: Maintenance and Trouble Shooting are to be performed by a skilled and trained technician.**

## **4.0 OPERATION**

### **4.1 WHEEL REMOVAL**

1. Verify that the dolly lifting frame is close to the ground and nothing is stowed on it.
2. Maneuver dolly into position so that rollers straddle wheel.
3. When dolly is in place around wheel, raise lifting frame by operating the hand pump until there is firm contact with tire. The release valve on the hand pump must be closed to raise the lifting frame.
4. Remove wheel per aircraft manufacturer's instructions and secure the wheel to the dolly with the cargo tie down.
5. Operate the hand pump to lift tire as necessary for transporting.

**NOTE: To lower dolly, open release valve on the hand pump. Rate of descent is proportionate to the amount of release valve opening.**

6. Remove dolly from under aircraft.

## 5.0 MAINTENANCE

Apply a light film of lubricating oil to hydraulic jack and all outer sliding surfaces. Wipe away excess oil with a clean, lint-free cloth.

## 6.0 PROVISION OF SPARES

### 6.1 SOURCE OF SPARE PARTS

Spare parts may be obtained from the manufacturer:

ColumbusJack/Regent  
1 Air Cargo Pkwy East  
Swanton, Ohio 43558 USA

Telephone: 614.443.7492  
Fax: 614.444.9337  
E-mail: sales@columbusjack.com  
Website: www.columbusjack.com

### 6.2 RECOMMENDED SPARE PARTS LISTS

Reference the following page(s) for Replacement Parts and Kits available.

## 7.0 IN SERVICE SUPPORT

Contact ColumbusJACK, Inc. for technical services and information. See Section 1.3 – Manufacturer.

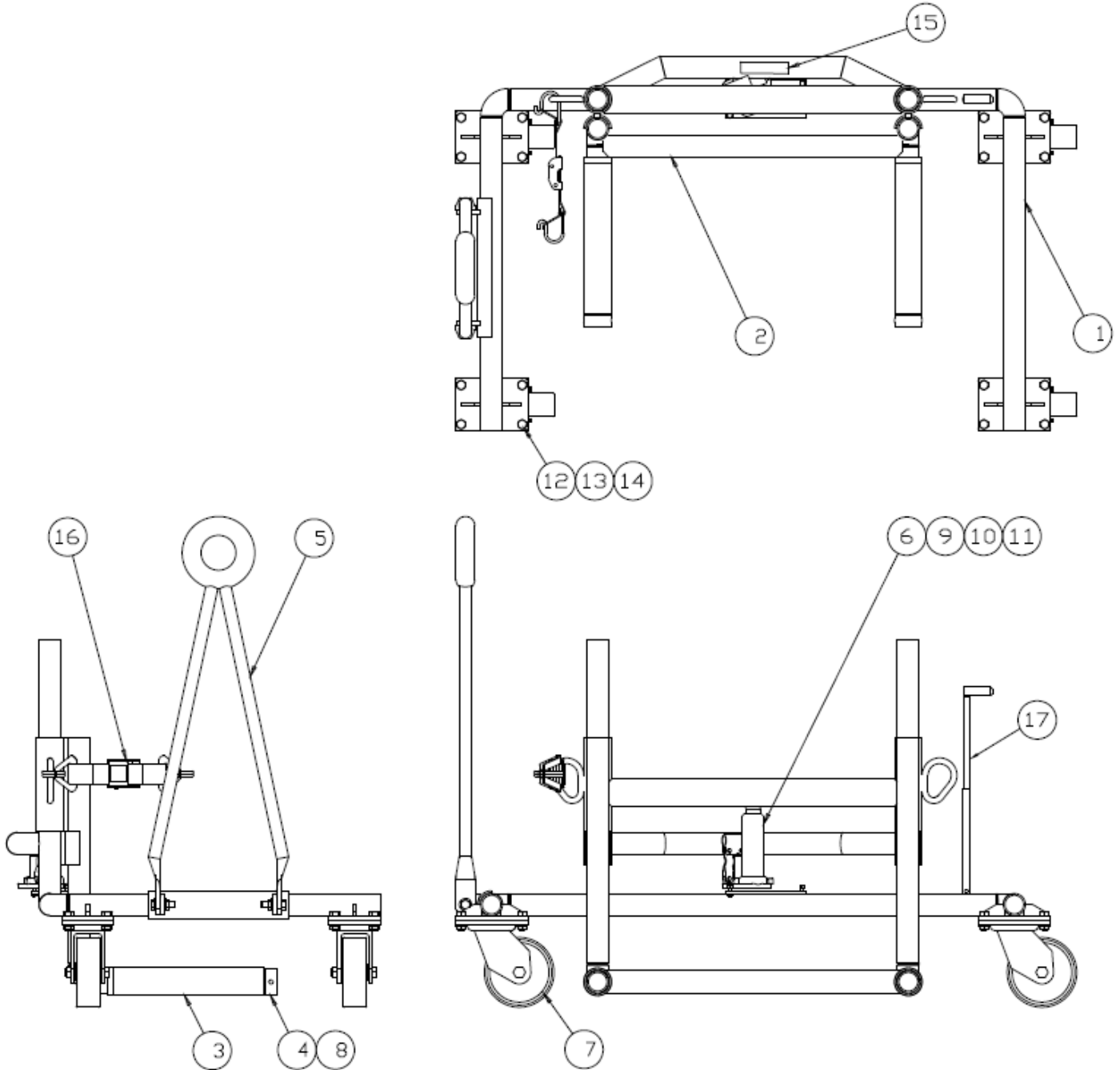
## 8.0 GUARANTEES/LIMITATION OF LIABILITY

1. ColumbusJACK Corporation, (Seller) warrants each new product of its manufacture to be free from defects in material or workmanship, under proper, reasonable and normal use and service, and for a period of twelve (12) months after date of shipment from Seller's Swanton, OH. USA facility.
2. Where Buyer claims an alleged defect in material or workmanship and so advises Seller in writing within ten (10) days after discovery thereof, then and in such event, Buyer shall return said equipment, transportation prepaid, to the Seller, provided such return is timely and within twelve (12) months form date of original shipment. This warranty and liability of the Seller is expressly limited solely to replacement of repair of defective parts or goods, and return at Buyer's expense to Seller after find by Seller the product was defective prior to original shipment or, at the option of Seller, to making refund to Buyer of the purchase price for said product.
3. It is further expressly understood and agreed that:
  - a. THERE IS NO WARRANTY, representation of condition OF ANY KIND, express or implied, (INCLUDING NO WARRANTY OF MERCHANT-ABILITY OR OF FITNESS) EXCEPT THAT THE MATERIAL SHALL BE OF THE QUALITY SPECIFIED HEREIN, and none shall be implied by law. Except as otherwise provided herein, quality shall be in accordance with seller's specifications. Final determination of the material for the use contemplated by Buyer is the sole responsibility of Buyer and Seller shall have no responsibility in connection with such suitability, and
  - b. The Buyer's sole and exclusive remedy shall be repair or replacement of defective parts by the Seller. Should the goods, in the judgment of Seller, preclude the remedying of the warranted defects by repair or replacement, the buyer's sole and exclusive remedy shall the be the refund of the purchase price, and
  - c. Seller shall not be liable for prospective profits or special, indirect or consequential damages, nor shall any recovery of any kind against Seller be greater in amount than the purchase price of the specific material sold and causing the alleged loss, damage or injury. Buyer assumes all risk and liability for loss, damage or injury to persons or property of Buyer or others arising out of use or possession of any product or part sold hereunder, and
  - d. The Seller shall in no way be deemed or held to be obligated, liable or accountable upon or for any guarantees or warranties, express or implied, or created by statute or by operation of law or otherwise, in any manner of form beyond its express agreement above set forth, and
  - e. No warranty herein shall apply to any product which shall have been repaired or altered, unless such alteration or repair has been made by Seller or where, after return to and inspection by Seller, the product is found by Seller to have been subject to misuse, negligence or accident, and
  - f. No warranty of any nature is made by Seller as to any component forming a part of the product sold and Buyer shall receive only such warranties offered by such other manufacturer pertinent to such component, and
  - g. Seller does not assume nor does Seller authorize any other person to assume for it any other liability or make any warranty in connection with the sale of its products.

The obligations of ColumbusJACK expressly stated herein are in lieu of all other warranties or conditions expressed or implied. **Any unauthorized modification of the ColumbusJACK products or use of the ColumbusJACK products in violations of cautions and warnings in any manual (including updates) or safety bulletins published or delivered by ColumbusJACK will immediately void any warranty, express or implied and ColumbusJACK disclaims any and all liability for injury (WITHOUT LIMITATION and including DEATH), loss or damage arising from or relating to such misuse.**

### Parts List

When ordering replacement parts/kits, please specify model, serial number and color of your unit.



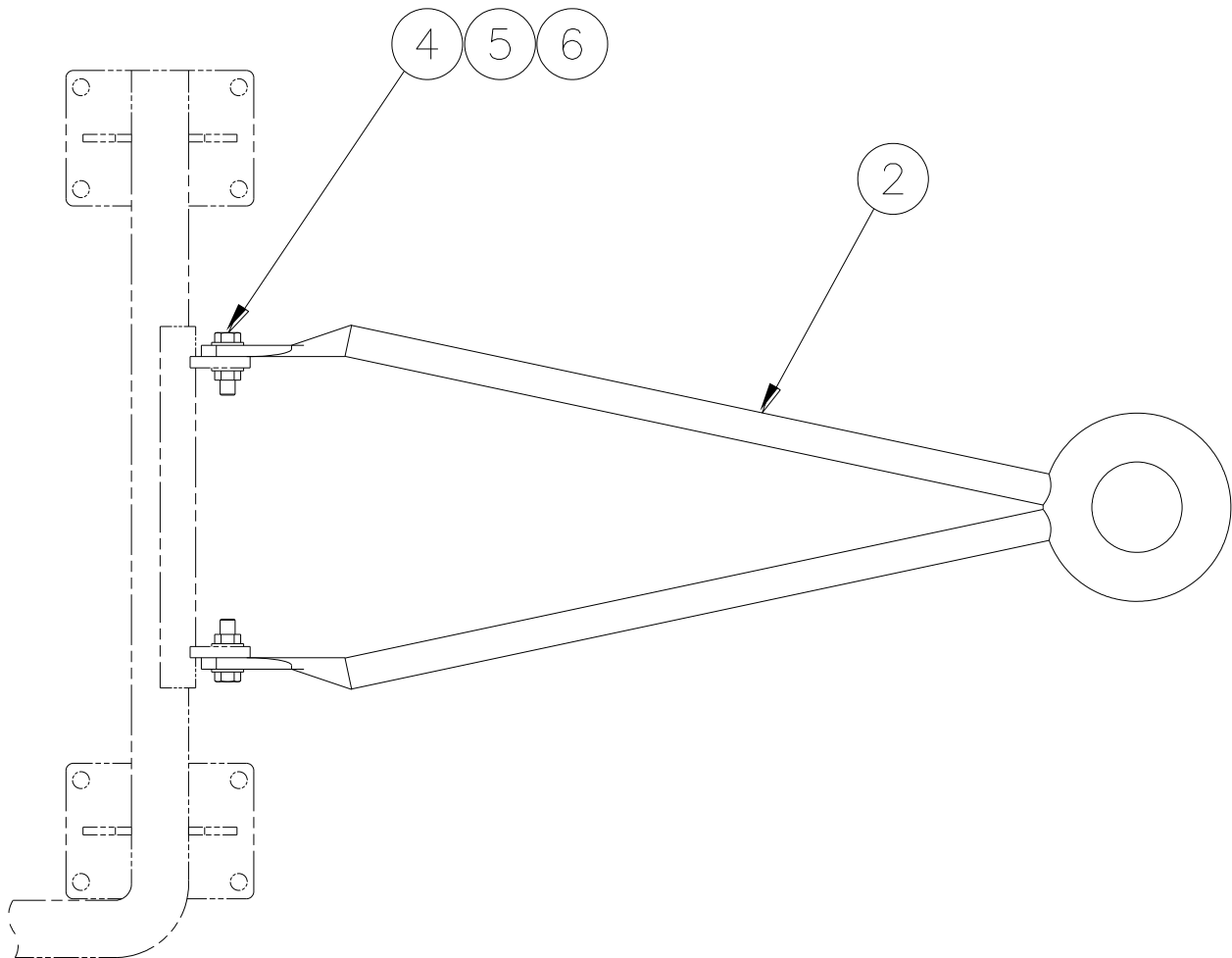
### Parts List

When ordering replacement parts/kits, please specify model, serial number and color of your unit.

ITEM	PART NUMBER	DESCRIPTION	QTY
1	9092-101	Frame	1
2	9092-102	Lifting Frame	1
3	9092-123	Roller	2
4	9092-4	Collar	2
5	9092-F	Towbar Assembly	1
6	9092-44	2 Ton Hydraulic Jack	1
7	450A9384	Caster W/Brake & Swivel Lock	4
8	325-16400	Spring Pin	2
9	372-12080	Hex Head Cap Screw	2
10	346-10016	Lockwasher	2
11	333-51200	Hex Nut	2
12	372-20100	Hex Head Cap Screw	16
13	333-52000	Hex Nut	16
14	346-10032	Lockwasher	16
15	915-176-1	Nameplate	1
16	450A9381	Cargo Tiedown	1
17	9092-428	Pump Handle	1

### Parts List

When ordering replacement parts/kits, please specify model, serial number and color of your unit.



ITEM	PART NUMBER	DESCRIPTION	QTY
	<b>9092-F</b>	<b>Towbar Assembly</b> ; consists of:	REF
2	9092-33	Towbar	1
4	372-20140	Hex Head Cap Screw	2
5	345-11032	Flat Washer	4
6	333-32000	Hex Locknut	2