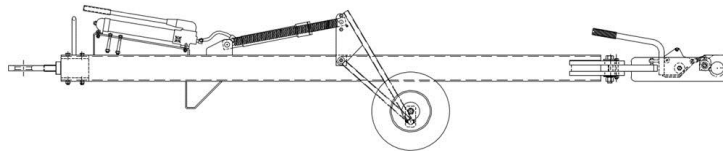




# OPERATION & SERVICE MANUAL



**Model: A005265D**  
**Airbus A340-500/600 Towbar**

12/2014 – Rev. 01

REVISION  
01

DATE  
12/2014

TEXT AFFECTED  
Original release

**TABLE OF CONTENTS**

**PAGE**

<b>1.0</b>	<b>PRODUCT INFORMATION .....</b>	<b>1</b>
1.1	DESCRIPTION .....	1
1.2	MODEL & SERIAL NUMBER .....	1
1.3	MANUFACTURER .....	1
<b>2.0</b>	<b>SAFETY INFORMATION.....</b>	<b>1</b>
2.1	USAGE AND SAFETY INFORMATION .....	1
2.2	SHEAR BOLTS .....	1
<b>3.0</b>	<b>TRAINING.....</b>	<b>1</b>
3.1	TRAINING REQUIREMENTS .....	1
3.2	OPERATOR TRAINING .....	1
<b>4.0</b>	<b>OPERATION.....</b>	<b>1</b>
4.1	RAISING AND LOWERING .....	1
4.2	ATTACHING TO AIRCRAFT .....	2
4.3	ATTACHING TO TRACTOR .....	2
<b>5.0</b>	<b>MAINTENANCE .....</b>	<b>2</b>
5.1	GENERAL .....	2
5.2	OVER CLAMP ADJUSTMENT .....	3
5.3	RETAINER BOLT TIGHTENING.....	3
<b>6.0</b>	<b>PROVISION OF SPARES .....</b>	<b>4</b>
6.1	SOURCE OF SPARE PARTS .....	4
6.2	RECOMMENDED SPARE PARTS LISTS .....	4
<b>7.0</b>	<b>IN SERVICE SUPPORT .....</b>	<b>4</b>
<b>8.0</b>	<b>GAURANTEES/LIMITATION OF LIABILITY .....</b>	<b>4</b>

Tronair towbars/heads must only be used with matching Tronair heads/towbars, and Tronair shear pins.

This product can not be modified without the written approval of Tronair, Inc. Any modifications done without written approval voids all warranties and releases Tronair, Inc., its suppliers, distributors, employees, or financial institutions from any liability from consequences that may occur. Only Tronair OEM replacement parts shall be used.

## 1.0 PRODUCT INFORMATION

### 1.1 DESCRIPTION

This towbar is designed to push or pull all Airbus A340-500/600 aircraft equipped with a 2.50 inch diameter nose gear cross pin. The following operational instructions are only intended to familiarize the operator with the basic functions of the towbar. They are not intended to teach actual pushback procedures or techniques.

### 1.2 MODEL & SERIAL NUMBER

Reference nameplate on unit

### 1.3 MANUFACTURER

**TRONAIR, Inc.**  
1740 Eber Road  
Holland, Ohio 43528-9794 USA

Telephone: (419) 866-6301 or 800-426-6301  
Fax: (419) 867-0634  
E-mail: sales@tronair.com  
Website: www.tronair.com

## 2.0 SAFETY INFORMATION

### 2.1 USAGE AND SAFETY INFORMATION

To insure safe operations please read the following statements and understand their meaning. Also refer to your equipment manufacturer's manual for other important safety information. This manual contains safety precautions which are explained below. Please read carefully.



**WARNING!** — Warning is used to indicate the presence of a hazard that **can cause severe personal injury, death, or substantial property damage** if the warning notice is ignored.

**CAUTION!** — Caution is used to indicate the presence of a hazard that **will or can cause minor personal injury or property damage** if the caution notice is ignored.

### 2.2 SHEAR BOLTS

The towbar is also equipped with shear bolts that are designed to shear when the design limits of the aircraft nose gear are reached. One set of spare shear bolts has been provided with the towbar.

#### WARNING!



**NEVER** use other bolts in place of factory supplied shear bolts, aircraft damage may result! In the event that the shear bolts should fail during operation, carefully inspect all parts of the towbar for damage before replacing the shear bolts and returning the towbar to service.

## 3.0 TRAINING

### 3.1 TRAINING REQUIREMENTS

The employer of the operator is responsible for providing a training program sufficient for the safe operation of the towbar.

### 3.2 OPERATOR TRAINING

The operator training should provide the required training for safe operation of the towbar.

**NOTE: Maintenance and Trouble Shooting are to be performed by a skilled and trained technician.**

## 4.0 OPERATION

### 4.1 RAISING AND LOWERING

The towbar is equipped with a hand-operated hydraulic pump/tank which supplies a flow of hydraulic oil to a single acting hydraulic cylinder. This cylinder raises or lowers the wheel carriage assembly to which the tires are attached.

#### To raise the towbar:

1. Make sure the fill cap on the tank is in the "vent" position and the small control valve located on the side of the pump is in the complete closed (clockwise) position
2. Actuate the pump handle until the desired elevation is achieved
3. To lower the unit, turn the control valve handle counter-clockwise until hydraulic oil flows back into the tank and allows the cylinder to retract
4. Close the valve when the towbar has reached the desired elevation

## 4.0 OPERATION (continued)

### 4.2 ATTACHING TO AIRCRAFT

The towbar is equipped with a clamp type attachment head. When attached properly it will allow the aircraft to be pushed or pulled safely.

#### To attach the towbar to the aircraft:

1. Raise or lower the towbar so that it is level to the ground and at the same height as the nose gear attachment point
2. Open the jaws by pulling the black knob outward and opening the center jaw by pulling up on the large handle
3. Position the lower jaws under the nose gear cross shaft and clamp the middle jaw around the shaft by pushing back down on the large handle until the black knob moves back into the locked position

### 4.3 ATTACHING TO TRACTOR

The towbar is equipped with a towing eye that swivels to eliminate any possible binding due to irregular terrain or camber changes in the aircraft nose gear during pushback or towing operations.

#### To attach the towbar to the tractor:

1. Raise or lower the towbar so that it is level with the ground and at the same height as the tractor hitch point
2. Position the lunette eye into the hitch opening and secure the hitch pin according to the tractor manufacturer's instructions



#### CAUTION!

The towbar can be safely towed on typical ramp surfaces up to 15 MPH. Exceeding this speed may result in damage to the towbar

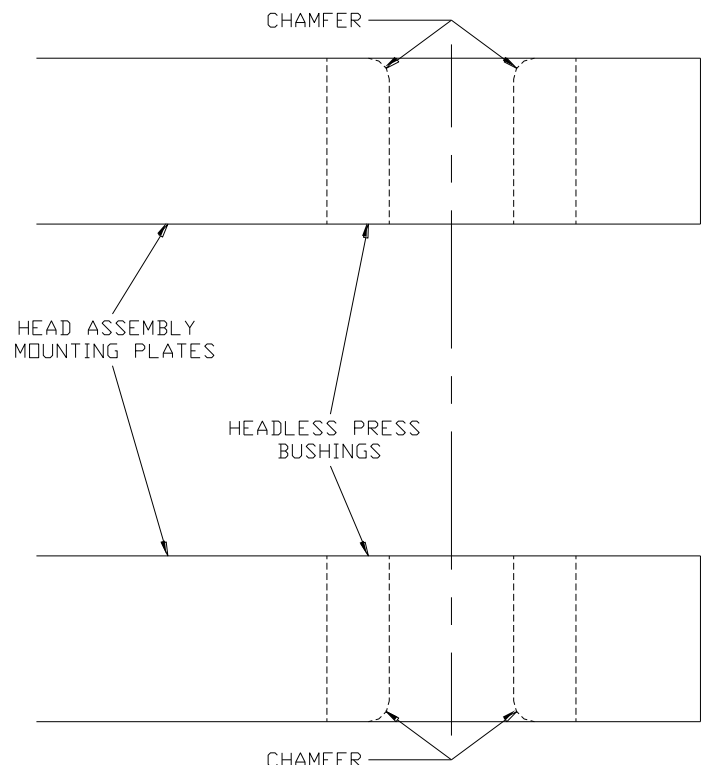
## 5.0 MAINTENANCE

### 5.1 GENERAL

Towbar maintenance should be done at least once every three months or sooner depending on usage

1. Check shear bolts for wear or a partial shear and replace if necessary. Check bolts by rotating them and looking for movement of the shear plates at the same time
2. Check shear plates for seizing from corrosion and apply a fresh coating of Permatex anti-seize lubricant or equivalent when installing a new head assembly or shear bolts
3. Check tire pressure and inspect for wear or damage
4. Check the hydraulic fluid in the reservoir and maintain the correct level
5. Check for hydraulic leaks
6. Check all nuts, bolts and screws for tightness
7. Check the unit overall for wear or damage
8. Grease hubs through zerks provided in hub

**Note: When pressing in new headless press bushings for the shear bolts, assure the chamfer is as shown.**

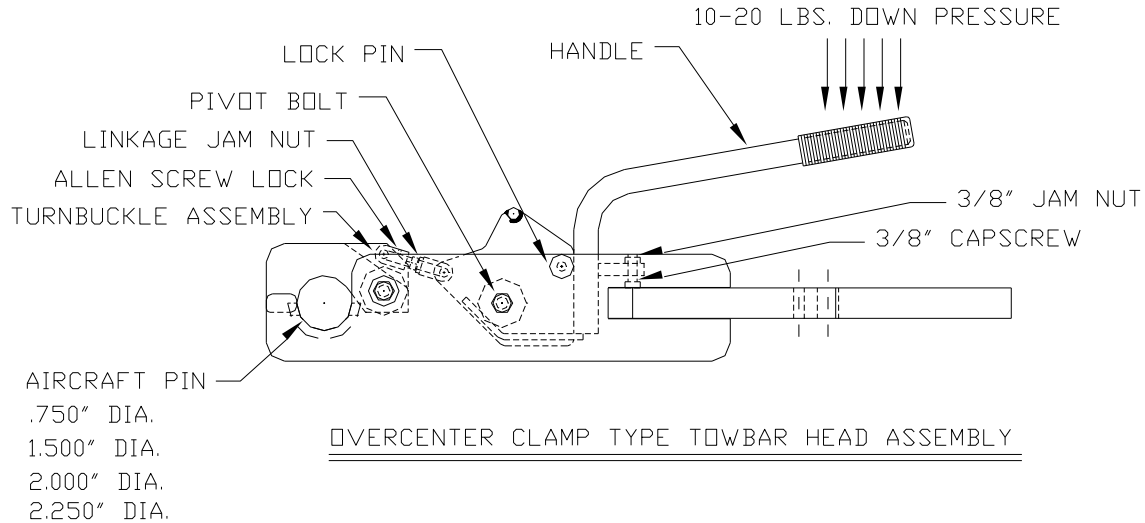


5.0 Maintenance continued on following page.

**5.0 MAINTENANCE (continued)**

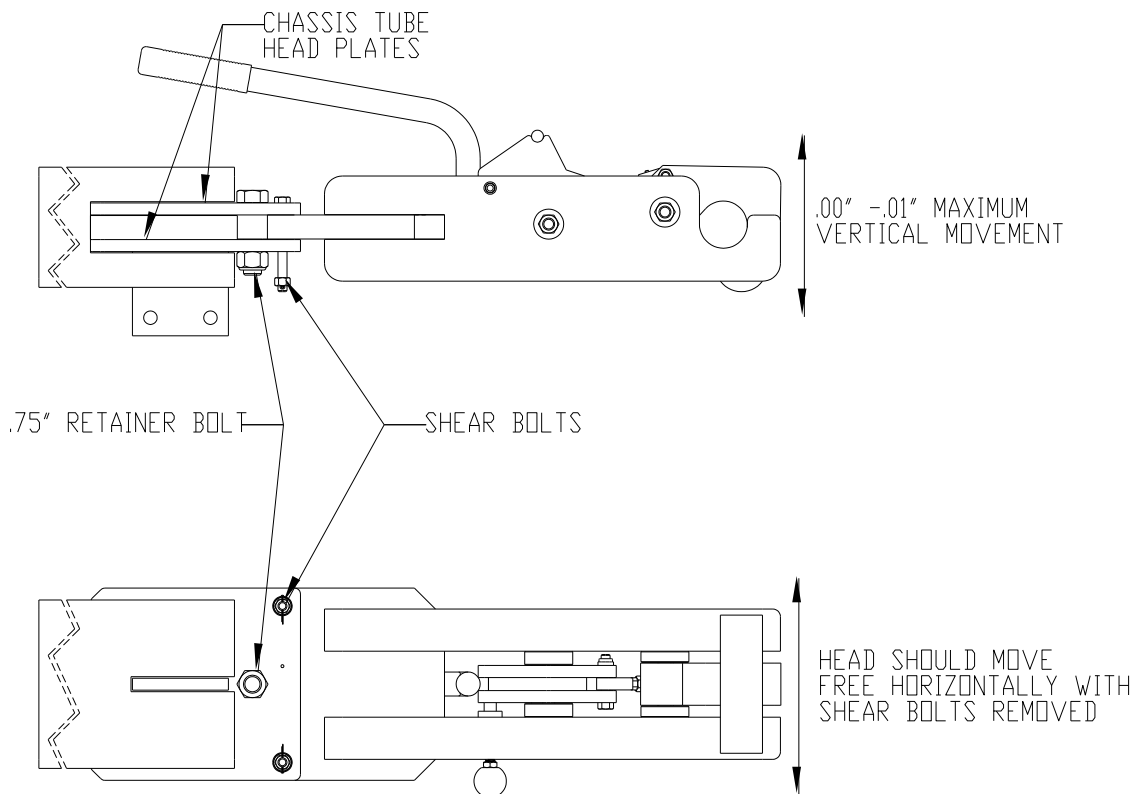
**5.2 OVER CLAMP ADJUSTMENT**

1. Adjust .38" capscrew until the lock pin engages lock hole on handle
2. Tighten .38" jamnut
3. Attach towbar head assembly to aircraft pin, push handle down until lock pin engages. 10-20 lbs of down force on handles is sufficient to over center clamp onto the aircraft pin
4. Turn linkage rod counterclockwise to lengthen the linkage, if the pressure is too heavy turn the linkage rod clockwise to shorten the linkage
5. Tighten the linkage jamnut and allen lock screw
6. Towbar head is ready for use



**5.3 RETAINER BOLT TIGHTENING**

1. Remove shear bolts
2. Tighten .75" retainer bolt until all vertical play is removed and towing head moves free horizontally between head plates on chassis tube weldment



## 6.0 PROVISION OF SPARES

### 6.1 SOURCE OF SPARE PARTS

Spare parts may be obtained from the manufacturer:

**TRONAIR**, Inc.

1740 Eber Road

Holland, Ohio 43528-9794 USA

Telephone: (419) 866-6301 or 800-426-6301

Fax: (419) 867-0634

E-mail: sales@tronair.com

Website: www.tronair.com

### 6.2 RECOMMENDED SPARE PARTS LISTS

Reference the following page(s) for Replacement Parts and Kits available.

## 7.0 IN SERVICE SUPPORT

Contact Tronair, Inc. for technical services and information. See Section 1.3 – Manufacturer.

## 8.0 GAURANTEES/LIMITATION OF LIABILITY

Tronair products are warranted to be free of manufacturing or material defects for a period of one year after shipment to the original customer. This is solely limited to the repair or replacement of defective components. This warranty does not cover the following items:

- a) Parts required for normal maintenance
- b) Parts covered by a component manufacturers warranty
- c) Replacement parts have a 90-day warranty from date of shipment

If you have a problem that may require service, contact Tronair immediately. Do not attempt to repair or disassemble a product without first contacting Tronair, any action may affect warranty coverage. When you contact Tronair be prepared to provide the following information:

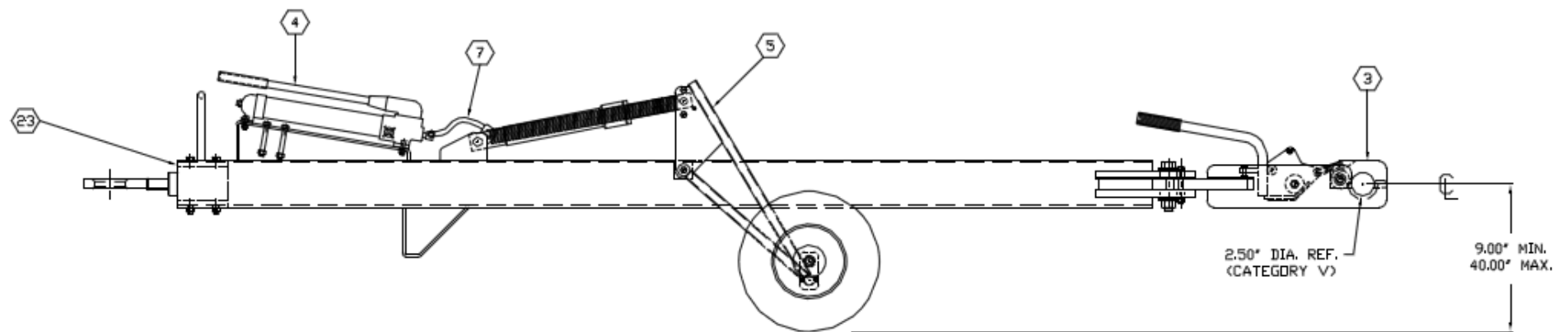
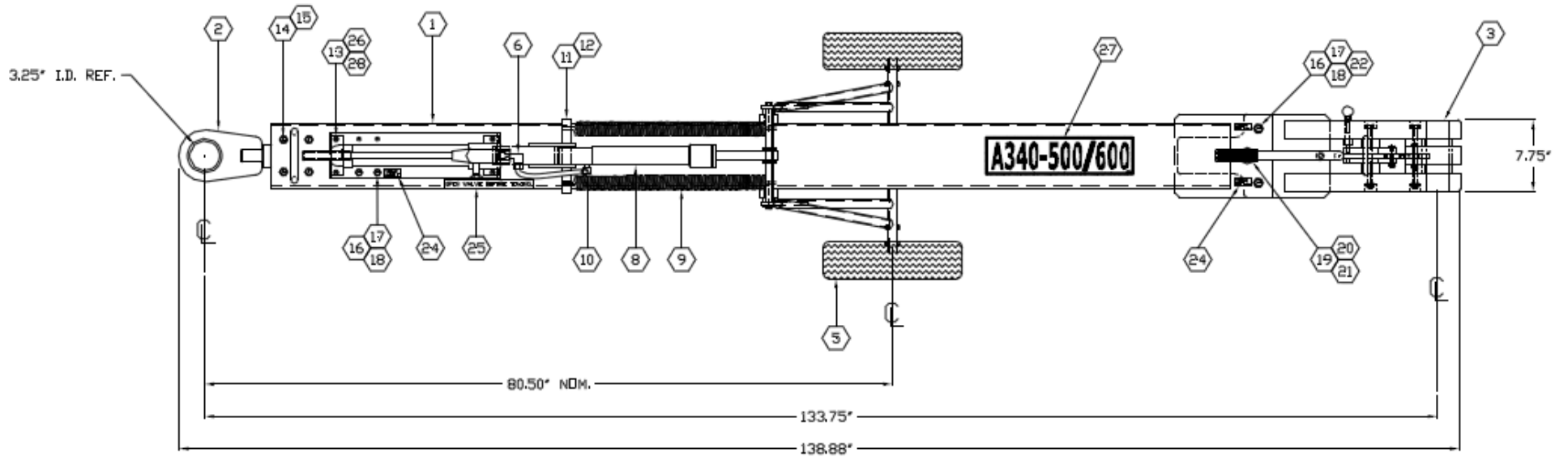
- a) Product Model Number
- b) Product Serial Number
- c) Description of the problem

If warranty coverage is approved, either replacement parts will be sent or the product will have to be returned to Tronair for repairs. If the product is to be returned, a Return Material Authorization (RMA) number will be issued for reference purposes on any shipping documents. Failure to obtain a RMA in advance of returning an item will result in a service fee. A decision on the extent of warranty coverage on returned products is reserved pending inspection at Tronair. Any shipments to Tronair must be shipped freight prepaid. Freight costs on shipments to customers will be paid by Tronair on any warranty claims only. Any unauthorized modification of the Tronair products or use of the Tronair products in violation of cautions and warnings in any manual (including updates) or safety bulletins published or delivered by Tronair will immediately void any warranty, express or implied.

The obligations of Tronair expressly stated herein are in lieu of all other warranties or conditions expressed or implied. **Any unauthorized modification of the Tronair products or use of the Tronair products in violations of cautions and warnings in any manual (including updates) or safety bulletins published or delivered by Tronair will immediately void any warranty, express or implied and Tronair disclaims any and all liability for injury (WITHOUT LIMITATION and including DEATH), loss or damage arising from or relating to such misuse.**

**Parts List**

When ordering replacement parts/kits, please specify model, serial number and color of your unit.





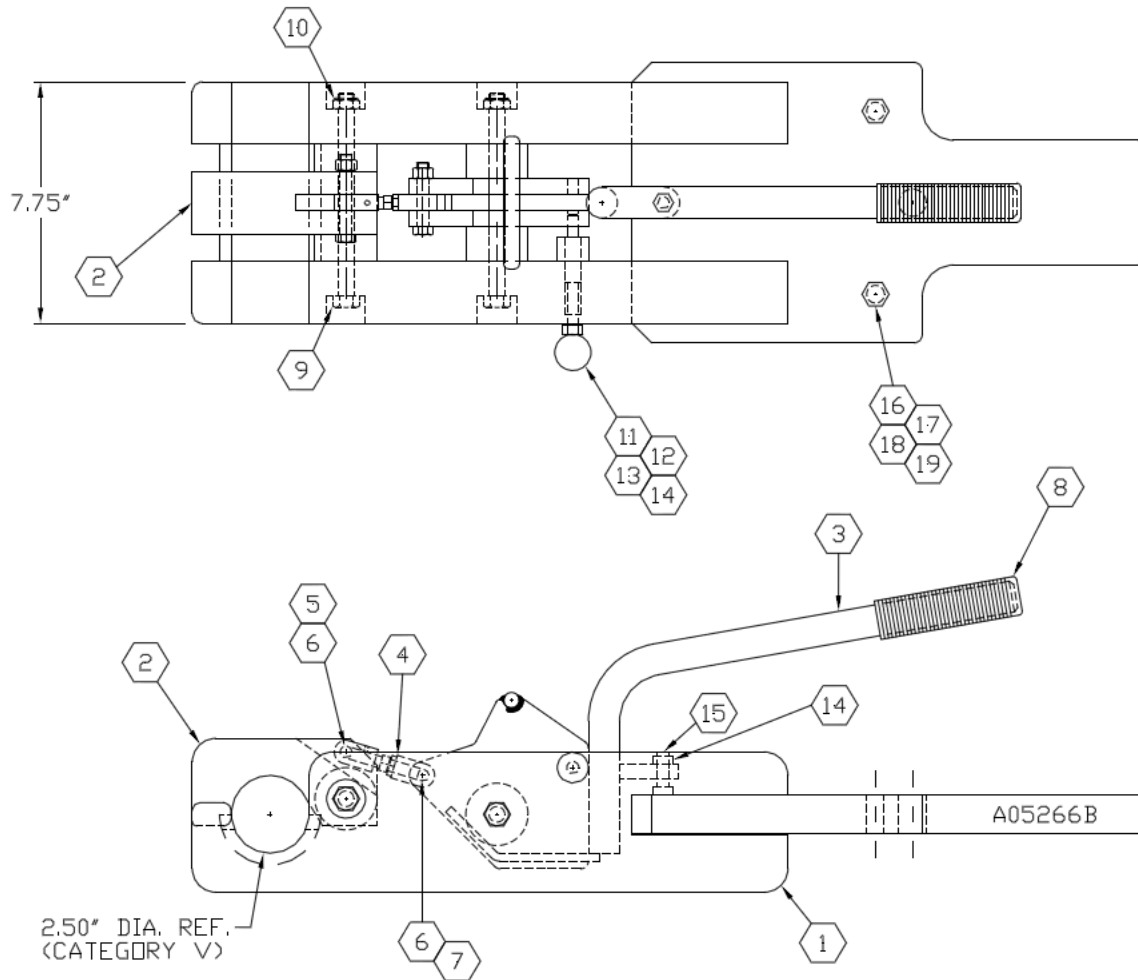
### Parts List

When ordering replacement parts/kits, please specify model, serial number and color of your unit.

Item	Part Number	Description	Qty
1	W004679B	Chassis Tube Weldment	1
2	A002574A	Swivel Lunette Assembly	1
3	A005266B	Towing Pin Head Assembly	1
4	H006322	Hydraulic Hand Pump	1
5	A003163A	Wheel Carriage Assembly	1
6	H002118	3/8" N.P.T. x 1/4" F. 90 degree Hyd. Swivel	1
7	A002893A	Hyd. Hose Assembly	1
8	H005115	Hydraulic Cylinder	1
9	H005116	Spring	2
10	H001445	1/4" N.P.T. x 1/4" F. 90 degree Hyd. Swivel	1
11	P054191A	1" Cylinder Mounting Pin	1
12	H001148	3/16" x 1-1/2" Lg. Cotter Pin	2
13	H001251	3/8" NC x 1-1/4" Lg. Capscrew	4
14	H001388	1/2" NC x 6" Lg. Capscrew	4
15	H001001	1/2" NC Nylok Nut	4
16	H006893	9/16" NF x 4" Lg. Shear Bolt	4
17	H002589	9/16" N.F. Hex Nut	4
18	H002242	1/8" X 1" Lg. Cotter Pin	4
19	H003080	7/8" NC x 4-1/2" Lg. Capscrew	1
20	H001106	7/8" Flat Washer	2
21	H002692	7/8" NC Nylok Nut	1
22	H006892	9/16" x 3/4" x 3/4" Lg. Headless Press Bushing	4
23	P057367A	Spacer Flat	2
24	H005871	Label, Shear Bolt	3
25	H005872	Label, Open Valve Before Towing	1
26	H001010	3/8" NC Nylok Nut	4
27	P066579A	Label, A340	1
28	H001008	3/8" Flat Washer	4

**Parts List – Towing Pin Head Assembly**

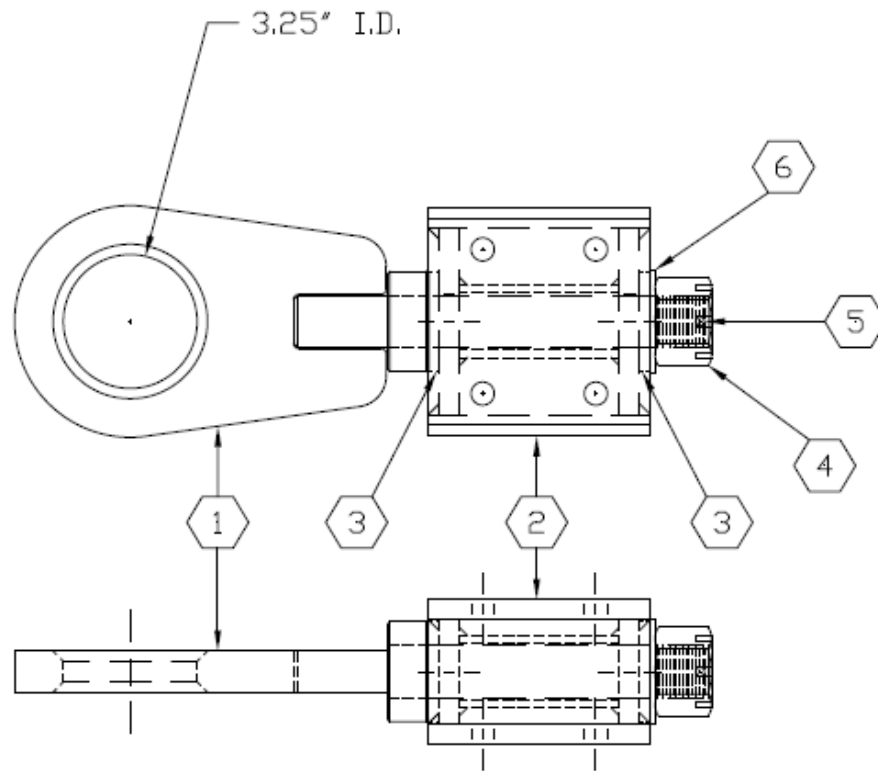
When ordering replacement parts/kits, please specify model, serial number and color of your unit.



Item	Part Number	Description	Qty
	<b>A005266A</b>	<b>Towing Pin Head Assembly; consists of:</b>	
1	W007052B	Head Weldment	1
2	P066570A	Towing Pin Pivot Head	1
3	W006847A	Actuator Weldment	1
4	A005131A	Turnbuckle Assembly	1
5	H001121	3/8" N.C. x 2.50" lg. Capscrew	1
6	H002712	3/8" N.C. Nylok Jam Nut	2
7	H001059	3/8" N.C. x 2.00" lg. Capscrew	1
8	H001299	Handle Grip, 1.00" Black	1
9	H006509	1/2" NC x 6-1/2" Lg. Capscrew GR 8	2
10	H002714	1/2" NC Nylok Jam Nut	2
11	P066571A	Lockpin	1
12	H005112	Spring. Lockpin	1
13	H005186	Knob, Lockpin	1
14	H002634	3/8" NC Jam Nut	2
15	H001251	3/8" NC x 1-1/4" Lg. Capscrew	1
16	H006893	9/16" N.F. x 4.00" lg. Shearbolt	REF
17	H002589	9/16" N.F. Hex Nut	REF
18	H004560	1/16" x 1.00" lg. Cotter Pin	REF
19	H006892	Headless Press Bushing 9/16"	REF

**Parts List**

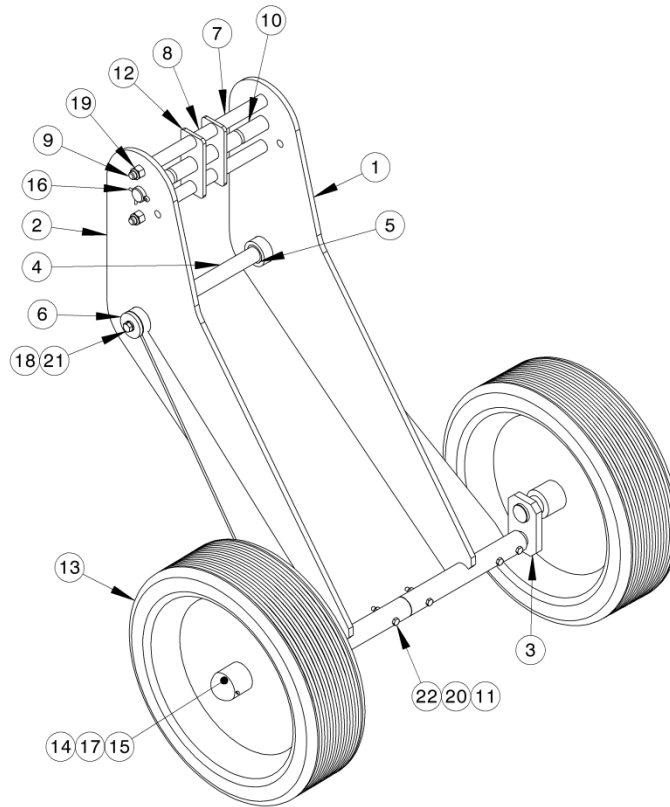
When ordering replacement parts/kits, please specify model, serial number and color of your unit.



Item	Part Number	Description	Qty
	<b>A002574A</b>	<b>Swivel Lunette Assembly; consists of:</b>	
1	W003887A	Hitch Pin Weldment	1
2	W003888A	Pin Block Weldment	1
3	P054190A	Pivot Washer	2
4	H001177	1-1/4" NF Slotted Nut	1
5	H001219	3/16" x 2" Lg. Cotter Pin	1
6	H004701	1-1/4" SAE Washer	1

### Parts List

When ordering replacement parts/kits, please specify model, serial number and color of your unit.



Item	Part Number	Description	Qty
1	Z-8604-01	WELDMENT, WHEEL PLATE	1
2	Z-8603-00	WELDMENT, WHEEL PLATE	1
3	W004605A	OFFSET AXLE WELDMENT (P)	2
4	P054200A	WHEEL ASSEMBLY MOUNT ROD	1
5	P054199A	BUSHING, 1.003 X 1.253 X 1.750	2
6	P054198A	WHEEL WASHER	2
7	P054197A	SPACER TUBE	4
8	P054196A	SPACER TUBE	2
9	P054195A	SPACER MOUNT ROD	2
10	P054194A	CYL. MOUNT PIN	1
11	P054193A	SPINDLE TUBE CONNECTOR	1
12	P054192A	HYD. CYL. MOUNT PLATE	2
13	H005813	WHEEL, 4.80 X 8 PNEUMATIC	2
14	H004923	BUSHING, MACH .75 X .18 G, NR	2
15	H001286	NUT, SLOTTED, .75 NF, GR 5, ZP	2
16	H001148	PIN, .188 X 1.5, ZP	2
17	H001005	PIN, COTTER, .125 X 2.00, ZP	2
18	G-1251-1070R	LOCKWASHER, 3/8 REGULAR	2
19	G-1202-1090	STOPNUT, 1/2-13 ELASTIC	4
20	G-1202-1050	STOPNUT, 1/4-20 ELASTIC	6
21	G-1100-107012	BOLT, 3/8-16 X 1-1/4" HEX HD GR 5	2
22	G-1100-105020	BOLT, 1/4-20 X 2.0" LG HEX HD GR 5	6