

**Models: AGE17074A
Ground Test Tool
G650, Legacy450/500 Ram Air Turbine**



12/2019 – Rev. 03

REVISION	DATE	TEXT AFFECTED
01	05/2014	Original release
02	12/2014	Major revision
03	12/2019	Major revision

TABLE OF CONTENTS

	<u>PAGE</u>
1.0 PRODUCT INFORMATION	1
1.1 DESCRIPTION.....	1
1.2 MODEL & SERIAL NUMBER.....	1
1.3 MANUFACTURER	1
1.4 RELEVANT STANDARDS	1
1.5 OVERVIEW.....	1
1.6 MATING COUPLINGS AND PLUGS:	1
2.0 SAFETY INFORMATION	2
2.1 USAGE AND SAFETY INFORMATION	2
2.2 EXPLANATION OF WARNING AND DANGER SIGNS.....	2
2.3 COMPONENT SAFETY FEATURES.....	2
2.4 FEATURES FOR OPERATOR SAFETY	2
2.5 PERSONAL PROTECTIVE EQUIPMENT	2
2.6 SAFETY GUIDELINES	2
2.7 CONDITIONS FOR SAFE USE	2
2.8 TECHNICAL EXPERTISE.....	2
2.8.1 For Installation.....	2
2.8.2 For Operation.....	2
2.8.3 For Maintenance.....	2
2.9 ADDITIONAL SAFETY INFORMATION.....	2
3.0 PREPARATION PRIOR TO FIRST USE	3
3.1 ASSEMBLY.....	3
3.2 INSTALLATION.....	3
3.2.1 INSTALLATION REQUIREMENTS.....	3
3.2.2 PERSONNEL REQUIREMENTS (TECHNICAL EXPERTISE) FOR INSTALLATION.....	3
3.3.3 SPECIFICATIONS AND STANDARDS.....	3
3.3.4 REQUIRED MATERIALS FOR INSTALLATION	3
3.3.5 INSTALLATION PROCEDURE.....	3
3.3.6 INSPECTION AND TESTING PROCEDURE UPON INSTALLATION.....	3
4.0 TRAINING	3
4.1 TRAINING REQUIREMENTS	3
4.2 TRAINING PROGRAMS, MANUALS, METHODS, SUPERVISORS, AND OPERATORS	3
4.3 OPERATOR TRAINING	3
5.0 OPERATION	4
5.1 OPERATING PARAMETERS	4
5.2 NUMERICAL VALUES AND LIMITS.....	4
5.2.1 General	4
5.2.2 DIMENSIONS	4
5.3 FEATURES.....	4
5.4 PERSONAL PROTECTIVE EQUIPMENT	4
5.5 CHECKS PRIOR TO START UP	4
5.6 START UP PROCEDURE	4
5.7 OPERATING PROCEDURES.....	4
5.8 STOPPING PROCEDURES	4
5.9 EMERGENCY STOPPING PROCEDURES	4
6.0 PACKAGING AND STORAGE	5
6.1 PACKAGING REQUIREMENTS	5
6.2 METHODS OF HANDLING.....	5
6.3 STORAGE	5
6.4 STORAGE SPACE AND HANDLING FACILITIES	5
7.0 TRANSPORTATION.....	5
7.1 HANDLING POINTS	5
7.2 WEIGHT.....	5
8.0 MAINTENANCE.....	5
8.1 DESCRIPTION OF EQUIPMENT	5
8.2 RECOMMENDED SPARE PARTS	5
8.3 INSPECTION POINTS.....	5
8.4 TECHNICAL SPECIFICATIONS.....	5
8.5 MAINTENANCE PERSONNEL REQUIREMENTS	5
8.6 TROUBLESHOOTING GUIDE.....	5
9.0 PROVISION OF SPARES.....	6
9.1 SOURCE OF SPARE PARTS.....	6
10.0 IN-SERVICE SUPPORT.....	6
11.0 GUARANTEES/LIMITATION OF LIABILITY	6
12.0 APPENDICES	6

This product can not be modified without the written approval of Tronair, Inc. Any modifications done without written approval voids all warranties and releases Tronair, Inc., its suppliers, distributors, employees, or financial institutions from any liability from consequences that may occur. Only Tronair OEM replacement parts shall be used.

1.0 PRODUCT INFORMATION

1.1 DESCRIPTION

The Ground Test Tool (GTT), powered by a suitable hydraulic cart, is used to back drive the Ram Air Turbine (RAT) during ground check out. The ground tests are to be performed in accordance with the airframer's AMM and RAT manufacturer's instructions.

This Ground Test Tool is to be operated only by qualified trained technicians.

This Operation and Service Manual is to be used only by qualified trained technicians.

1.2 MODEL & SERIAL NUMBER

Ground Test Tool
Model AGE17074A
Serial Number located on nameplate
Date of manufacture located on nameplate

1.3 MANUFACTURER

TRONAIR , Inc. 1 Air Cargo Pkwy East Swanton, Ohio 43558 USA	Telephone: (419) 866-6301 or 800-426-6301 Fax: (419) 867-0634 E-mail: sales@tronair.com Website: www.tronair.com
---	---

1.4 RELEVANT STANDARDS

1. The GTT has been designed to comply with the following directives:
 - 2006/42/EC: Machinery Directive
2. The following standards were used as guides to design the GTT:
 - EN ISO 12100-1
 - BS EN 982:1996
 - prEC 1915-1:1995

1.5 OVERVIEW

The GTT is composed of a hydraulic motor, and adaptor plate, a splined adaptor shaft, two hoses approximately 20 ft (6.1 m) long with couplings for connection to a hydraulic cart and a storage case.

1.6 MATING COUPLINGS AND PLUGS:

Couplings Inlet: Tronair # N-2419-06 Outlet: Tronair # N-2419-08
Plugs Inlet: Tronair # N-2418-06 Outlet: Tronair # N-2419-08
Complete Assembly KHC-1008-A1

2.0 SAFETY INFORMATION

2.1 USAGE AND SAFETY INFORMATION

To insure safe operations please read the following statements and understand their meaning. Also refer to your equipment manufacturer's manual for other important safety information. This manual contains safety precautions which are explained below. Please read carefully.



WARNING!

Warning is used to indicate the presence of a hazard that can cause **severe personal injury, death, and/or substantial property damage** if the Warning Notice is ignored.



CAUTION!

Caution is used to indicate the presence of a hazard, which will or can cause **minor personal injury or property damage** if the Caution Notice is ignored.

2.2 EXPLANATION OF WARNING AND DANGER SIGNS

- Misuse of machine can cause personal injury and/or property damage
- Operation of the GTT must be in accordance with this manual, and the Airframe/RAT Manufacturer's Instructions

2.3 COMPONENT SAFETY FEATURES

- Pressure rating safety factors are in accordance with EN 982:1996

2.4 FEATURES FOR OPERATOR SAFETY

- No additional features are included for operator safety. Safeguards against hazards created during the ground checkout must be provided by others in accordance with the Airframe/RAT Manufacturer's Instructions, and all applicable regulations

2.5 PERSONAL PROTECTIVE EQUIPMENT

- Operators must use personal protective equipment in accordance with their employer's requirements
- See airframe/RAT manufacturer's information on maximum sound levels during ground check out

2.6 SAFETY GUIDELINES

- Any uses other than those identified in Section 1.1 of this manual are prohibited

2.7 CONDITIONS FOR SAFE USE

- Temperature Range: -10° F thru +120° F (-23° C thru +49° C)
- Operate in accordance with airframe/RAT manufacturer's instructions

2.8 TECHNICAL EXPERTISE

2.8.1 For Installation

The installation of this tool is to be completed by qualified aircraft technicians. See Section 6 for installation information.

2.8.2 For Operation

This tool is to be used by skilled and trained aircraft technicians in accordance with this manual, and the airframe/RAT manufacturer's instructions. See Section 7 for Operation Instructions.

2.8.3 For Maintenance

This machine is to be maintained by qualified maintenance personnel. See Section 9 for maintenance information.

2.9 ADDITIONAL SAFETY INFORMATION

Safeguards in accordance with airframe/RAT manufacturer's instruction must be used.



WARNING!

- **ALWAYS follow the airframe/RAT manufacturer's instructions when testing the RAT.**
- **ALWAYS use applicable safety equipment required for RAT ground checkout tests.**

3.0 PREPARATION PRIOR TO FIRST USE

3.1 ASSEMBLY

The GTT is shipped assembled and ready for use.

3.2 INSTALLATION

3.2.1 INSTALLATION REQUIREMENTS

Hydraulic Cart requirements: 16.5 gpm @ 3,000 psi (62.5 lpm @ 207 bar), Aviation Phosphate Ester Type IV or V fluid



WARNING!

Do not exceed 3,100 psi (214 bar) rated supply pressure to motor.

3.2.2 PERSONNEL REQUIREMENTS (TECHNICAL EXPERTISE) FOR INSTALLATION

This tool is to be installed and used by qualified aircraft mechanics in accordance with this manual, and employer and airframe/RAT manufacturer instructions.

3.3.3 SPECIFICATIONS AND STANDARDS

- Motor/Adaptor/Spline/Fitting Weight..... Approximately 9 lbs (4 kg)
- Hose Length..... Approximately 20 ft (6.1 m)
- Fluid Aviation Phosphate Ester Type IV or V

3.3.4 REQUIRED MATERIALS FOR INSTALLATION

- 16.5 gpm @ 3,000 psi (62.5 lpm @ 207 bar) Hydraulic Cart
- Aviation Phosphate Ester Type IV or V hydraulic fluid as required

3.3.5 INSTALLATION PROCEDURE

NOTE: See Section 5.5 Checks Prior to Start Up before attaching the GTT to the RAT.

3. Remove any protective covers on the RAT generator/GTT interface.
4. Remove the GTT from the case by carefully un-coiling the hoses, and lift the motor out of the case. Do NOT lift motor by the hoses as premature wear may occur.
5. Attach the GTT to the interface on the back of the RAT generator while ensuring the splined shaft properly engages the mating female spline in the RAT generator shaft.
6. Secure the GTT to the RAT by tightening the three (3) 1/4-28 fasteners to 50 – 80 lb-in (5.7 – 9.0 N-m)
7. Be sure to support the hoses attached to the motor by hanging them from the RAT bay opening.
8. Connect the pressure hose to the proper coupling directly on the hydraulic cart (supply). Do NOT use additional lengths of hose as diminished performance may occur.
9. Connect the return hose to the proper coupling directly on the hydraulic cart (return to tank). Do NOT use additional lengths of hose as diminished performance may occur.

3.3.6 INSPECTION AND TESTING PROCEDURE UPON INSTALLATION

- Verify that the couplings are properly engaged.
- Verify that all fasteners on the GTT are properly tightened.
- Verify that all hydraulic connections are tight.
- Verify that the support is properly installed.

4.0 TRAINING

4.1 TRAINING REQUIREMENTS

- GTT operators **MUST** be properly trained in all aspects of aircraft RAT ground check out.
- It is the employer's responsibility to ensure that the operator is qualified to use this tool.
- This GTT Operation and Maintenance Manual does not provide qualified training to perform aircraft RAT ground checkout tests.

4.2 TRAINING PROGRAMS, MANUALS, METHODS, SUPERVISORS, AND OPERATORS

- Tronair does not provide training materials beyond the scope of this manual.
- It is the employer's responsibility to provide any training requirements beyond the scope of this manual.

4.3 OPERATOR TRAINING

The operator training should provide the required training for safe operation of the unit.

NOTE: Maintenance and Trouble Shooting are to be performed by a skilled and trained technician.

5.0 OPERATION

5.1 OPERATING PARAMETERS

- Ground checkout tests
- Temperature Range: -10° F thru +120° F (-23° C thru +49° C)

5.2 NUMERICAL VALUES AND LIMITS

5.2.1 General

- Aviation Phosphate Ester Type IV or V
- Fluid consumption 16.5 gpm (62.5 lpm)
- Maximum Pressure 3,100 psi (214 bar)

5.2.2 DIMENSIONS

- Case..... 35 in (889 mm) long x 31 in (787 mm) wide x 17 in (432 mm) high
- Pressure Supply Hose 20 ft (6.1 m) long
- Return Hose 20 ft (6.1 m) long
- Motor weight 9 lbs (4 kg)

5.3 FEATURES

- The hydraulic motor provides power and speed capabilities consistent with the requirements of the ground checkout procedure in a weight and envelope that can safely be supported by the RAT.
- The GTT tool provides custom designed adaptor plate and splined shaft developed in conjunction with UTC Aerospace Systems for proper fit and operation.
- The specially designed storage case can be used for shipping the tool.

5.4 PERSONAL PROTECTIVE EQUIPMENT

Personal protective equipment must be used in accordance with employer's instructions, and local and federal regulations.

5.5 CHECKS PRIOR TO START UP

- Verify that the couplings are properly engaged.
- Verify that all fasteners on the GTT are properly tightened.
- Verify that all hydraulic connections are tight.
- Verify that the return port on the ground cart is open before applying supply pressure.
- Verify that the support is properly installed.

5.6 START UP PROCEDURE

Ensure that steps in 5.5 have been completed.

CAUTION!



To prevent personal injury and/or damage to aircraft:

- **ALWAYS follow the airframe/RAT manufacturer's instructions when testing the RAT.**
- **ALWAYS use applicable safety equipment required for RAT ground checkout tests.**

5.7 OPERATING PROCEDURES

Basic Operation: Use the hydraulic cart to power the GTT in accordance with the instruction provided with the cart, and the ground checkout procedures for the RAT provided by the airframe/RAT manufacturer.

5.8 STOPPING PROCEDURES

To stop the GTT, reduce or remove the supply of pressurized fluid to the motor.

5.9 EMERGENCY STOPPING PROCEDURES

Follow the emergency stopping procedures provided in the instructions for the hydraulic test cart, and the airframe/RAT ground checkout procedures.

6.0 PACKAGING AND STORAGE

6.1 PACKAGING REQUIREMENTS

- This tool is provided with a storage case that is suitable for shipment

6.2 METHODS OF HANDLING

- The GTT case can be rolled freely by hand
- No provisions for lifting by overhead crane are provided
- No specific methods of handling are required

6.3 STORAGE

- The GTT is suitable for indoor storage. Protect the tool from moist environments

6.4 STORAGE SPACE AND HANDLING FACILITIES

- Minimum: 35 inches length x 31 inches width x 17 inches height (889 x 787 x 432 mm)
- No specific handling facilities are required

7.0 TRANSPORTATION

7.1 HANDLING POINTS

- Handles are provided on three sides of the case for lifting and pulling

7.2 WEIGHT

- 60 lbs (27 kg)

8.0 MAINTENANCE

8.1 DESCRIPTION OF EQUIPMENT

Hydraulic Motor – Rebuild services available

8.2 RECOMMENDED SPARE PARTS

PART NUMBER	DESCRIPTION	QTY
TF-1117-27*240	Hose, Return	1
TF-1117-03*240	Hose, Pressure	1
R-2741	Shaft	1
H-2674	Clip, Retaining	1

8.3 INSPECTION POINTS

- Inspect splined shaft for wear
- Inspect hose connections for leaks

8.4 TECHNICAL SPECIFICATIONS

- Aviation Phosphate Ester Fluid, Type IV or V
- Fluid consumption = 16.5 gpm (62.5 lpm)

8.5 MAINTENANCE PERSONNEL REQUIREMENTS

Maintenance personnel should have a basic knowledge of hydraulic systems.

8.6 TROUBLESHOOTING GUIDE

PROBLEM	PROBABLE CAUSE	REMEDY
GTT does not turn the turbine assembly	Turbine lock on	Unlock RAT turbine
	Low supply pressure	Ensure hydraulic cart is operating correctly
	No flow to motor	Open valves on hydraulic cart
	GTT improperly mounted	Correct mounting of GTT
	Turbine cannot be turned	Repair RAT turbine

9.0 PROVISION OF SPARES

9.1 SOURCE OF SPARE PARTS

TRONAIR, Inc.
1 Air Cargo Pkwy East
Swanton, Ohio 43558 USA

Telephone: (419) 866-6301 or 800-426-6301
Fax: (419) 867-0634
E-mail: sales@tronair.com

10.0 IN-SERVICE SUPPORT

Contact Tronair, Inc. for technical services and information. See Section 1.3 – Manufacturer.

11.0 GUARANTEES/LIMITATION OF LIABILITY

Tronair products are warranted to be free of manufacturing or material defects for a period of one year after shipment to the original customer. This is solely limited to the repair or replacement of defective components. This warranty does not cover the following items:

- a) Parts required for normal maintenance
- b) Parts covered by a component manufacturers warranty
- c) Replacement parts have a 90-day warranty from date of shipment

If you have a problem that may require service, contact Tronair immediately. Do not attempt to repair or disassemble a product without first contacting Tronair, any action may affect warranty coverage. When you contact Tronair be prepared to provide the following information:

- a) Product Model Number
- b) Product Serial Number
- c) Description of the problem

If warranty coverage is approved, either replacement parts will be sent or the product will have to be returned to Tronair for repairs. If the product is to be returned, a Return Material Authorization (RMA) number will be issued for reference purposes on any shipping documents. Failure to obtain a RMA in advance of returning an item will result in a service fee. A decision on the extent of warranty coverage on returned products is reserved pending inspection at Tronair. Any shipments to Tronair must be shipped freight prepaid. Freight costs on shipments to customers will be paid by Tronair on any warranty claims only. Any unauthorized modification of the Tronair products or use of the Tronair products in violation of cautions and warnings in any manual (including updates) or safety bulletins published or delivered by Tronair will immediately void any warranty, express or implied.

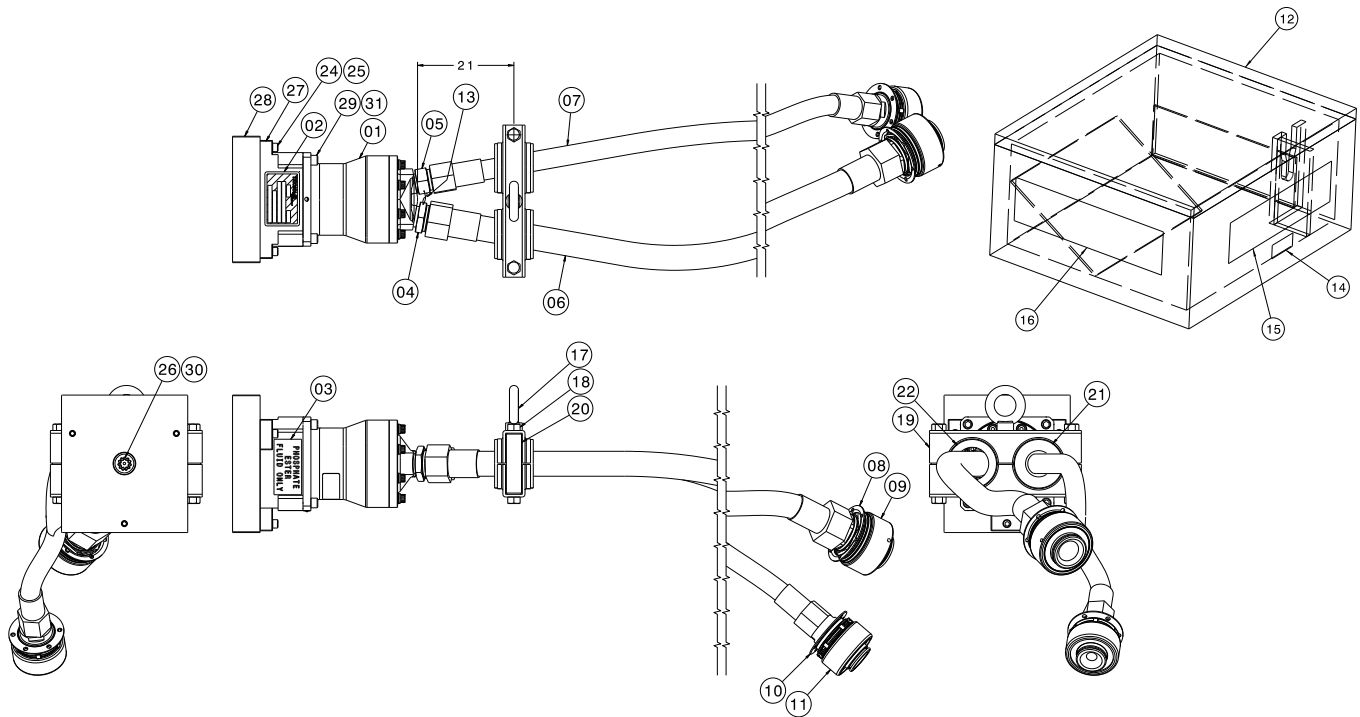
The obligations of Tronair expressly stated herein are in lieu of all other warranties or conditions expressed or implied. **Any unauthorized modification of the Tronair products or use of the Tronair products in violations of cautions and warnings in any manual (including updates) or safety bulletins published or delivered by Tronair will immediately void any warranty, express or implied and Tronair disclaims any and all liability for injury (WITHOUT LIMITATION and including DEATH), loss or damage arising from or relating to such misuse.**

12.0 APPENDICES

APPENDIX I Declaration of Conformity

Parts List

When ordering replacement parts/kits, please specify model, serial number and color of your unit.



Item	Part Number	Description	Qty
1	HC-2576	Motor, RAT G650	1
2	V-2287	Label, Serial number	1
3	V-1977	Label, PE Fluid Only	1
4	N-2841-05-S-E	Connector, Straight Thread (16-8)	1
5	N-2841-06-S-E	Connector, Straight Thread (12-6)	1
6	TF-1117-27*240	Assembly, Hose -16 Return	1
7	TF-1117-03*240	Assembly, Hose -12 Pressure	1
8	N-2608-02	Coupling, Half QD	1
9	N-2685-16	Cap, Dust	1
10	N-2608-01	Coupling, Half QD	1
11	N-2685-12	Cap, Dust	1
12	H-2678	Case, Storage/Shipping	1
13	H-1608*08.0	Wire, Safety .032 SS	1
14	V-1001	Label, USA	1
15	G-1250-1060N	Flatwasher, 5/16 Narrow	4
16	V-1033	Label, Tronair	2
17	G-1330-03	Eyebolt, 3/8-16 Thread Shoulder	1
18	G-1100-107010	Bolt, HH, Grade 5, 3/8-16 x 1 Long	5
19	HC-2185-01	Clamp, Multi-Clamp	1
20	HC-2187-01	Nut, Stacking	3
21	HC-2186-07	Bushing, Split-Multi-Clamp	1
22	HC-2186-09	Bushing, Split-Multi-Clamp	1
24	G-1478-105110	Screw, ¼ - 28 Hex SOC HD CAP	3
25	G-1599	Washer, NAS ¼	3

Parts List

When ordering replacement parts/kits, please specify model, serial number and color of your unit.

Item	Part Number	Description	Qty
26	R-2741	Shaft	1
27	J-5413	Adapter (G650)	1
28	J-5412	Adapter, Base (G650)	1
29	G-1151-106207	Screw, 5/16 – 18 SOC HD CAP	4
30	H-2674	Clip, Retaining	1



APPENDIX I

Declaration of Conformity



DECLARATION of CONFORMITY

The design, development and manufacture is in accordance with European Community guidelines

GROUND TEST TOOL
AGE17074A

Relevant directive complied with by the machinery:
2006/42/EC

Relevant standards complied with by the machinery:
EN ISO 4413:2010
APR 1247D
EN 1915-1:2013

Identification of person empowered to sign on behalf of the Manufacturer:

A handwritten signature in black ink that reads "Patrick Finch". The signature is written in a cursive style and is positioned above a solid horizontal line.

Quality Assurance Representative