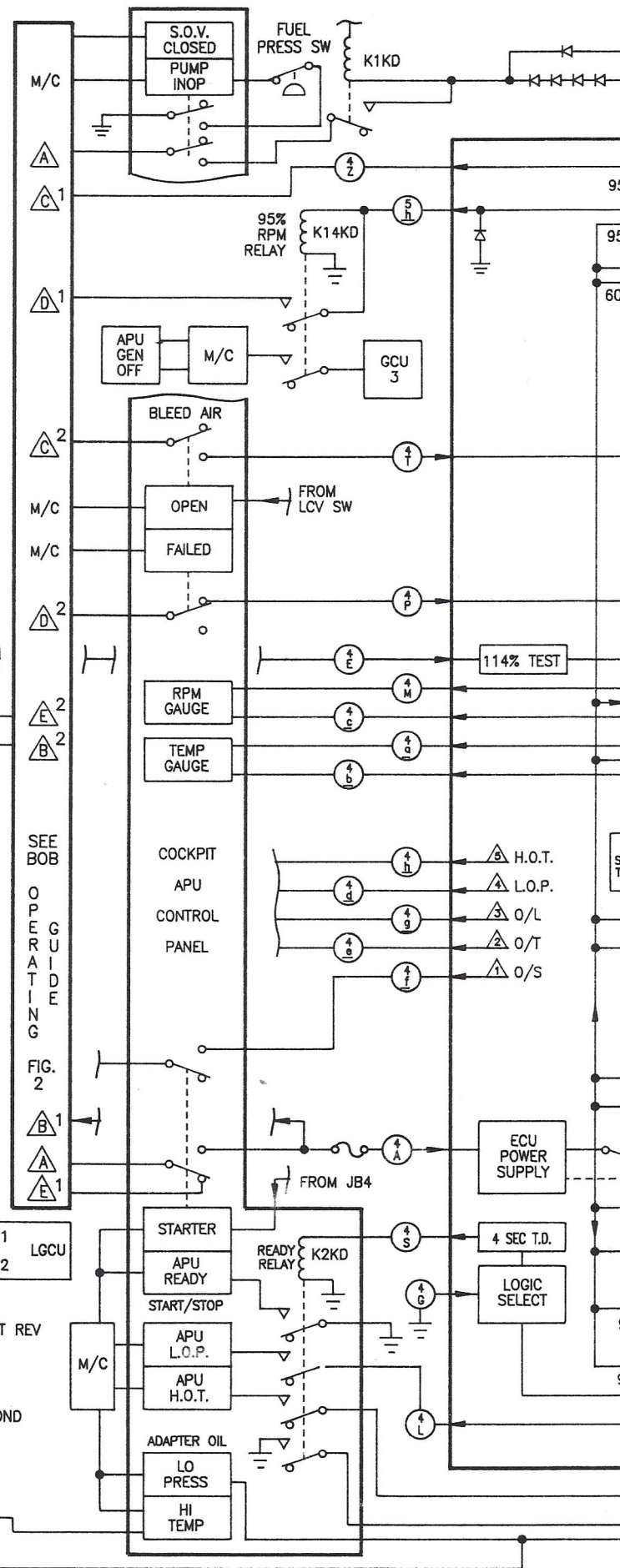
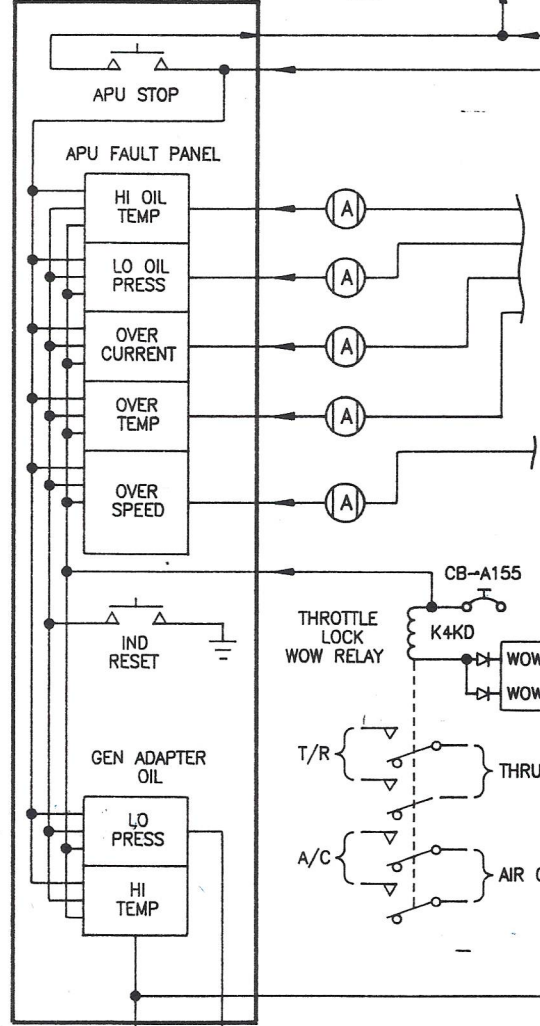
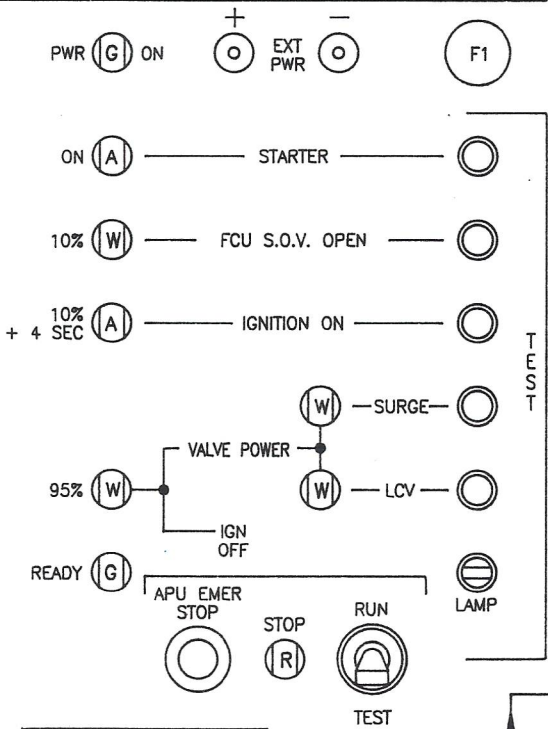


CANADAIR
APU ELEC CTL UNIT BREAKOUT BOX
CCSC4900-01 MOD STATUS A



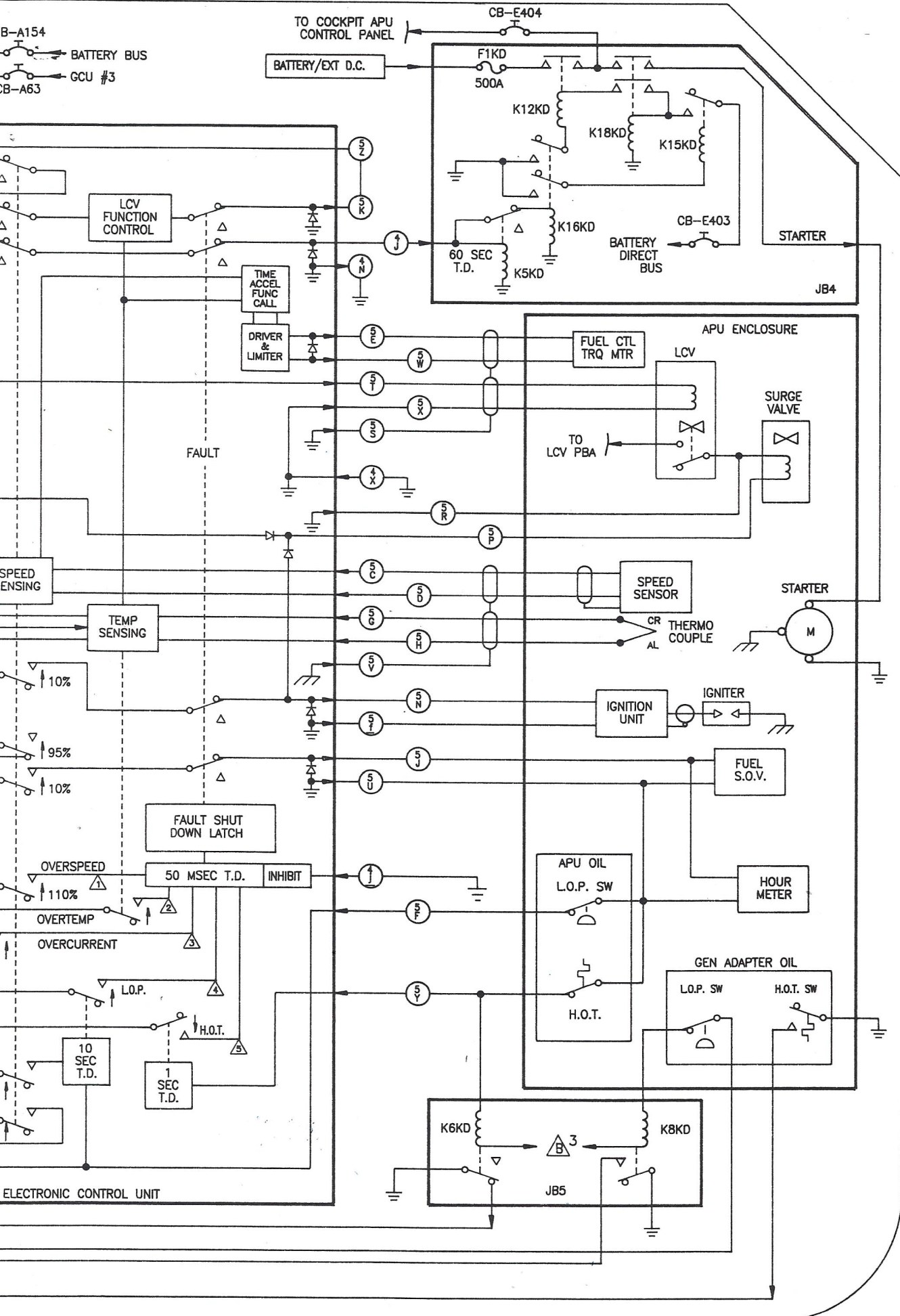
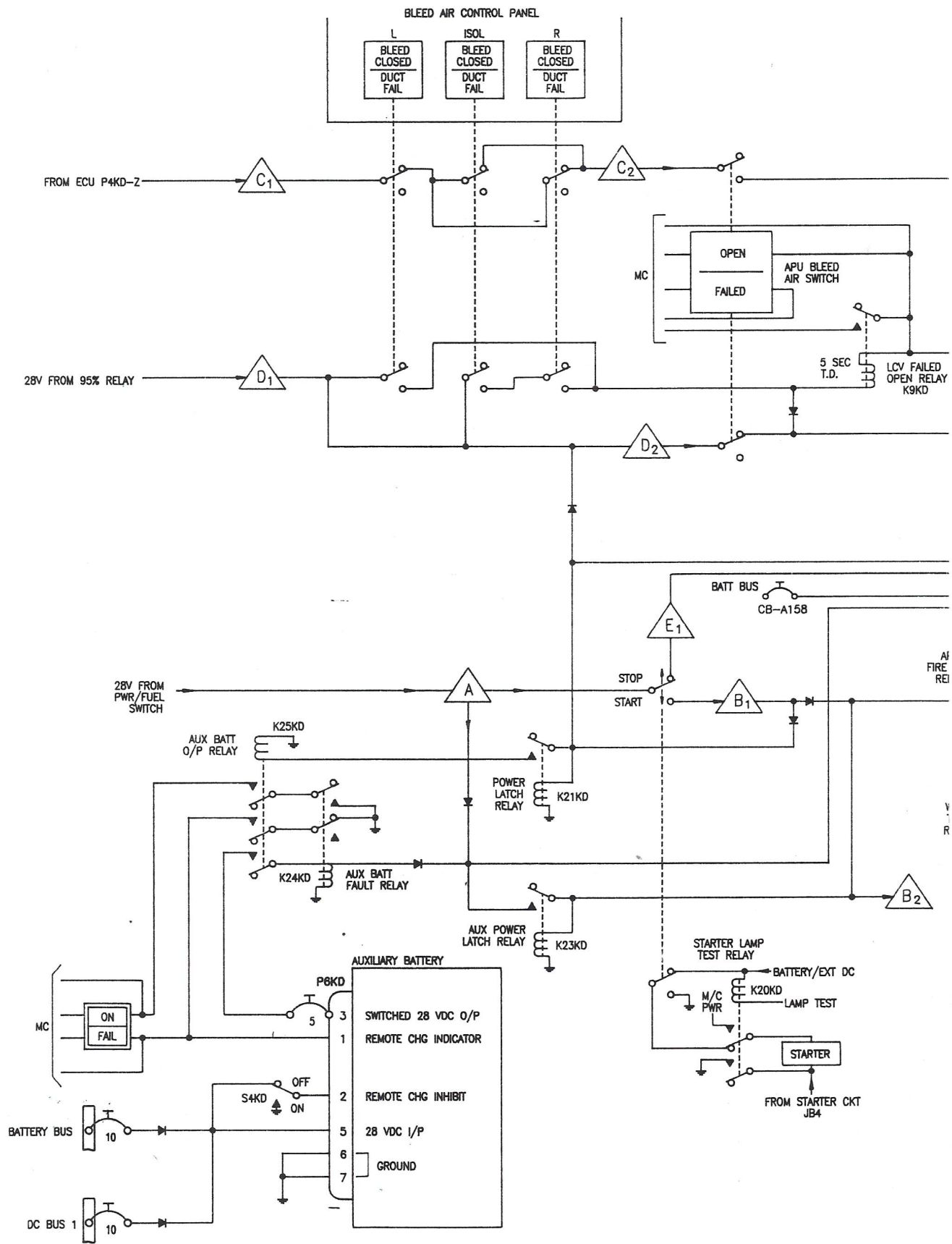
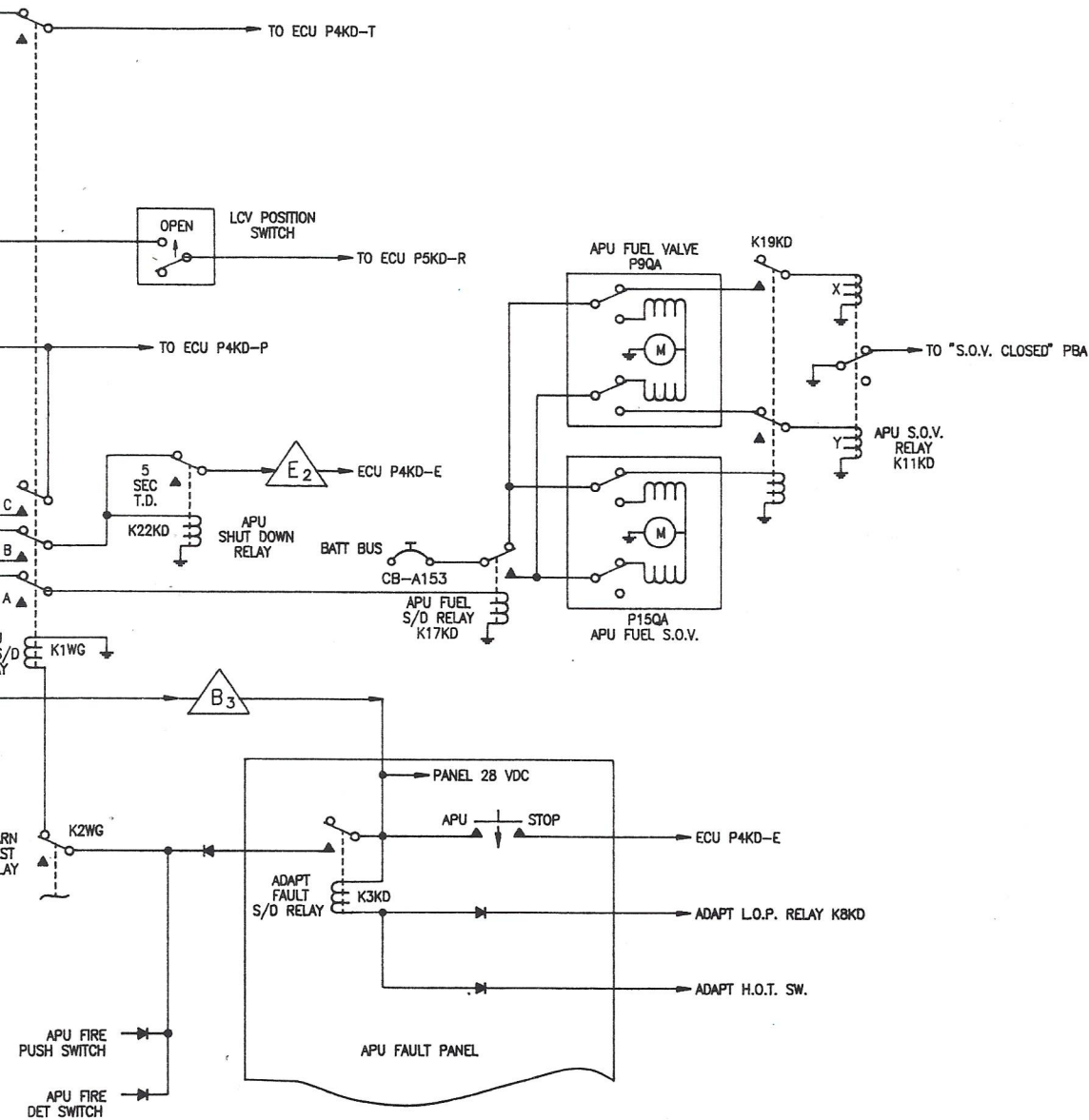


FIGURE 1.





INDICATES INTERFACE WITH B.O.B. FACEPLATE DIAGRAM / FIGURE 1.

FIGURE 2.