



**Model: CJ67D0250-1 (1504-50)**  
**15 Ton (13.6 Metric Ton)**  
**Axle Jack**  
S/N 12305, 80883 and On

06/2024 – Rev. 02

**For Spare Parts, Operations & Service Manuals or Service Needs**  
**Scan the QR code or visit [Tronair.com/aftermarket](https://Tronair.com/aftermarket)**



The Tronair Group of Companies: Tronair | EBIS | Columbus Jack | Eagle | DAE | Malabar International

**ColumbusJACK/Regent**  
1 Air Cargo Pkwy East  
Swanton, OH 43558

Phone: 614.443.7492  
Web: [www.columbusjack.com](https://www.columbusjack.com)  
Email: [sales@columbusjack.com](mailto:sales@columbusjack.com)

REVISION	DATE	TEXT AFFECTED
01	04/2018	Original release
02	06/2024	Modified 8.2 Recommend Spare Parts List

**TABLE OF CONTENTS**

		<u><b>PAGE</b></u>
<b>1.0</b>	<b>PRODUCT INFORMATION .....</b>	<b>1</b>
1.1	DESCRIPTION.....	1
1.2	MODEL & SERIAL NUMBER.....	1
1.3	MANUFACTURER.....	1
1.4	SPECIFICATIONS .....	1
<b>2.0</b>	<b>SAFETY INFORMATION.....</b>	<b>1</b>
2.1	USAGE AND SAFETY INFORMATION.....	1
2.2	PRODUCT SAFETY .....	1
<b>3.0</b>	<b>PREPARATION PRIOR TO FIRST USE .....</b>	<b>1</b>
3.1	GENERAL INSPECTION.....	1
3.2	SYSTEM BLEED PROCEDURE.....	1
<b>4.0</b>	<b>TRAINING.....</b>	<b>2</b>
4.1	TRAINING REQUIREMENTS .....	2
4.2	TRAINING PROGRAM .....	2
4.3	OPERATOR TRAINING.....	2
<b>5.0</b>	<b>OPERATION.....</b>	<b>2</b>
5.1	PRE-OPERATION PROCEDURE.....	2
5.2	LIFTING PROCEDURE .....	2
5.3	LOWERING PROCEDURE.....	2
5.4	RELIEF VALVE SETTING .....	2
<b>6.0</b>	<b>TROUBLE SHOOTING .....</b>	<b>3</b>
<b>7.0</b>	<b>MAINTENANCE.....</b>	<b>4</b>
7.1	SHOP AIDS AVAILABLE .....	4
7.2	OVERHAUL KITS AVAILABLE .....	4
<b>8.0</b>	<b>PROVISION OF SPARES.....</b>	<b>4</b>
8.1	SOURCE OF SPARE PARTS.....	4
8.2	RECOMMENDED SPARE PARTS LISTS .....	4
<b>9.0</b>	<b>IN SERVICE SUPPORT.....</b>	<b>4</b>
<b>10.0</b>	<b>GUARANTEES/LIMITATION OF LIABILITY .....</b>	<b>5</b>
<b>11.0</b>	<b>APPENDICES .....</b>	<b>5</b>

This product can not be modified without the written approval of Tronair, Inc. Any modifications done without written approval voids all warranties and releases Tronair, Inc., its suppliers, distributors, employees, or financial institutions from any liability from consequences that may occur. Only Tronair OEM replacement parts shall be used.

**1.0 PRODUCT INFORMATION**

1.1 DESCRIPTION

15 Ton (13.6 Metric Ton) Axle Jack

1.2 MODEL & SERIAL NUMBER

Reference nameplate on unit

1.3 MANUFACTURER

**TRONAIR, Inc./ColumbusJack/Regent**  
1 Air Cargo Pkwy East  
Swanton, Ohio 43558 USA

Telephone: (419) 866-6301 or 800-426-6301

Fax: (419) 867-0634

E-mail: sales@tronair.com

Website: www.tronair.com

1.4 SPECIFICATIONS

Capacity .....	15 Ton (13.6 Metric Ton)
Minimum Height .....	4.75 in (12 cm)
Hydraulic Lift .....	6.89 in (17.5 cm)
Extension Screw .....	2.65 in (6.73 cm)
Maximum Height .....	14.29 in (36.3 cm)
Estimated Weight .....	50 lbs (22.68 kg)
Operating Pressure .....	5050 psi (348 bar)
Relief Valve Pressure .....	5050 - 5555 psi (348 – 383 bar)
Reservoir Capacity .....	.375 gal (1.4 l)

**2.0 SAFETY INFORMATION**

2.1 USAGE AND SAFETY INFORMATION

To insure safe operations please read the following statements and understand their meaning. Also refer to your equipment manufacturer’s manual for other important safety information. This manual contains safety precautions which are explained below. Please read carefully.



**WARNING!** — Warning is used to indicate the presence of a hazard that **can cause severe personal injury, death, or substantial property damage** if the warning notice is ignored.

**CAUTION!** — Caution is used to indicate the presence of a hazard that **will or can cause minor personal injury or property damage** if the caution notice is ignored.

2.2 PRODUCT SAFETY

Make sure all personnel involved with this jack read and understand these instructions before using.



**WARNING!**

**The jack is designed to lift only vertical loads with a maximum weight of 15 ton (13.6 metric ton). Do not use jack for lifts exceeding the weight or design limits. Failure to comply can result in injury or death to personnel and/or severe damage to the jack and aircraft.**

**3.0 PREPARATION PRIOR TO FIRST USE**

3.1 GENERAL INSPECTION

If the jack is crated, uncrate and remove shipping straps or packing material. Inspect for physical damage and missing parts.

3.2 SYSTEM BLEED PROCEDURE

Using hand pump cycle cylinder rams several times.

## **4.0 TRAINING**

### **4.1 TRAINING REQUIREMENTS**

The employer of the operator is responsible for providing a training program sufficient for the safe operation of the unit.

### **4.2 TRAINING PROGRAM**

The employer provided operator training program should cover safety procedures concerning use of the unit in and around the intended aircraft at the intended aircraft servicing location.

### **4.3 OPERATOR TRAINING**

The operator training should provide the required training for safe operation of the unit.

**NOTE: Maintenance and Trouble Shooting are to be performed by a skilled and trained technician.**

## **5.0 OPERATION**

### **5.1 PRE-OPERATION PROCEDURE**

1. Perform visual inspection, by checking for oil leakage.
2. Check for loose, damaged or missing parts.
3. Check oil level and verify Air Vent is open.

### **5.2 LIFTING PROCEDURE**

1. Verify jack is located per airplane jacking procedures.
2. Raise extension screw to mate with airplane axle jacking point.
3. Close release valve.
4. Operate hand pump to raise aircraft as required.



#### **CAUTION!**

**With no load applied to the jack, it is normal for any stage to extend first. Once a load is applied to the jack, ensure that the first stage ram (larger) is fully extended first, before the second stage ram (smaller) begins to extend. Ensure that the second stage ram (smaller) is fully extended before the third stage ram (smallest) begins to extend. If the jack does not extend in this sequence, the jack should be disassembled to determine the cause of the excessive friction in the ram stages.**

### **5.3 LOWERING PROCEDURE**

1. Slowly open release valve to lower rams.
2. Lower extension screw fully after rams are completely collapsed.

### **5.4 RELIEF VALVE SETTING**

1. Position jack under a jack tester. Fully extend the first and second stage rams and partially extend the third stage.
2. Remove the plug from under the hand pump piston.
3. Set the relief valve at 15.75 - 16.50 tons as described in RJM 117. (See Appendix).



#### **CAUTION!**

**Use care not to set valve more than 10% above rated capacity. DO NOT exceed 16.5 ton (14.97 metric ton).**

4. Reinstall plug.

## 6.0 TROUBLE SHOOTING

If operational troubles are encountered, refer to the Trouble Shooting Chart which lists the most commonly occurring problems and gives information which will facilitate location of trouble source and determination of remedial action.

TROUBLE	PROBABLE CAUSE	REMEDY
Rams fail to lift when pump is operated or jack fails to lift rated load	By-pass valve setting incorrect or faulty by-pass valve	Remove pump body and pump valve. Inspect setting of setscrew and adjust. Inspect setscrew, valve by-pass spring and ball. Replace if necessary
	Defective release assembly causing the loss of system pressure	Remove release assembly, packing and ball. Inspect and replace if necessary
	Low fluid level	Inspect and fill to correct fluid level
Rams will not fully elevate	Low fluid level	Fill to correct fluid level
	Leaking discharge valve	Remove valve assembly. Inspect ball and ball seating surfaces of valve body. Replace ball if defective. Reseat if necessary
Rams will not support load	By-pass valve setting incorrect or faulty by-pass valve	Remove pump body and pump valve. Inspect setting of setscrew and adjust. Inspect setscrew, valve by-pass spring and ball. Replace if necessary
	Oil leaks at rams	Remove cylinder bushing and first, second, and third stage rams. Inspect ram bearings, o-rings, backup rings and replace if necessary
	Leaking release valve ball or seat	Remove, inspect and replace ball if necessary. Inspect ball seat in base assembly. Reseat if necessary
Rams elevate and fall with each pump stroke	Defective valve assembly or pump valve gaskets.	Remove pin and pump body. Remove valve assembly, pump valve gaskets, inspect and replace if necessary
	Defective release assembly causing the loss of system pressure	Remove release assembly, packing, and ball. Inspect and replace if necessary
	Leaking release valve ball or seat	Remove, inspect and replace ball if necessary. Inspect ball seat in base assembly. Reseat if necessary
Pump inoperative or difficult to operate	Vacuum created in reservoir due to closed air vent assembly	Remove dirt or other obstruction in air vent assembly
Rams will not lower	Defective release assembly	Remove release assembly, inspect and replace if necessary

**7.0 MAINTENANCE**

**7.1 SHOP AIDS AVAILABLE**

Contact Columbus**JACK**/Regent Sales for any shop aids

**7.2 OVERHAUL KITS AVAILABLE**

Soft Kit.....740A0015  
Repair Kit .....740A0013

**8.0 PROVISION OF SPARES**

**8.1 SOURCE OF SPARE PARTS**

Spare parts may be obtained from the manufacturer:

<b>TRONAIR, Inc./ColumbusJack/Regent</b>	Telephone: (419) 866-6301 or 800-426-6301
1 Air Cargo Pkwy East	Fax: (419) 867-0634
Swanton, Ohio 43558 USA	E-mail: sales@tronair.com
	Website: www.tronair.com



For Spare Parts, Operations & Service Manuals or Service Needs:  
Scan the QR code or visit [Tronair.com/aftermarket](http://Tronair.com/aftermarket)

**8.2 RECOMMENDED SPARE PARTS LISTS**

Reference the following page(s) for Replacement Parts and Kits available.

Recommended Spares:  
740A0015..... Soft Kit  
740A0013..... Repair Kit

**9.0 IN SERVICE SUPPORT**

Contact Columbus Jack. for technical services and information. See Section 1.3 – Manufacturer.

## 10.0 GUARANTEES/LIMITATION OF LIABILITY

1. ColumbusJACK Corporation, (Seller) warrants each new product of its manufacture to be free from defects in material or workmanship, under proper, reasonable and normal use and service, and for a period of twelve (12) months after date of shipment from Seller's Swanton, OH. USA facility.
2. Where Buyer claims an alleged defect in material or workmanship and so advises Seller in writing within ten (10) days after discovery thereof, then and in such event, Buyer shall return said equipment, transportation prepaid, to the Seller, provided such return is timely and within twelve (12) months from date of original shipment. This warranty and liability of the Seller is expressly limited solely to replacement of repair of defective parts or goods, and return at Buyer's expense to Seller after find by Seller the product was defective prior to original shipment or, at the option of Seller, to making refund to Buyer of the purchase price for said product.
3. It is further expressly understood and agreed that:
  - a. THERE IS NO WARRANTY, representation of condition OF ANY KIND, express or implied, (INCLUDING NO WARRANTY OF MERCHANT-ABILITY OR OF FITNESS) EXCEPT THAT THE MATERIAL SHALL BE OF THE QUALITY SPECIFIED HEREIN, and none shall be implied by law. Except as otherwise provided herein, quality shall be in accordance with seller's specifications. Final determination of the material for the use contemplated by Buyer is the sole responsibility of Buyer and Seller shall have no responsibility in connection with such suitability, and
  - b. The Buyer's sole and exclusive remedy shall be repair or replacement of defective parts by the Seller. Should the goods, in the judgment of Seller, preclude the remedying of the warranted defects by repair or replacement, the buyer's sole and exclusive remedy shall be the refund of the purchase price, and
  - c. Seller shall not be liable for prospective profits or special, indirect or consequential damages, nor shall any recovery of any kind against Seller be greater in amount than the purchase price of the specific material sold and causing the alleged loss, damage or injury. Buyer assumes all risk and liability for loss, damage or injury to persons or property of Buyer or others arising out of use or possession of any product or part sold hereunder, and
  - d. The Seller shall in no way be deemed or held to be obligated, liable or accountable upon or for any guarantees or warranties, express or implied, or created by statute or by operation of law or otherwise, in any manner of form beyond its express agreement above set forth, and
  - e. No warranty herein shall apply to any product which shall have been repaired or altered, unless such alteration or repair has been made by Seller or where, after return to and inspection by Seller, the product is found by Seller to have been subject to misuse, negligence or accident, and
  - f. No warranty of any nature is made by Seller as to any component forming a part of the product sold and Buyer shall receive only such warranties offered by such other manufacturer pertinent to such component, and
  - g. Seller does not assume nor does Seller authorize any other person to assume for it any other liability or make any warranty in connection with the sale of its products.

The obligations of ColumbusJACK expressly stated herein are in lieu of all other warranties or conditions expressed or implied. **Any unauthorized modification of the ColumbusJACK products or use of the ColumbusJACK products in violations of cautions and warnings in any manual (including updates) or safety bulletins published or delivered by ColumbusJACK will immediately void any warranty, express or implied and ColumbusJACK disclaims any and all liability for injury (WITHOUT LIMITATION and including DEATH), loss or damage arising from or relating to such misuse.**

## 11.0 APPENDICES

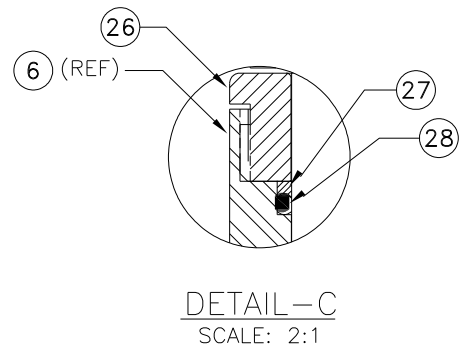
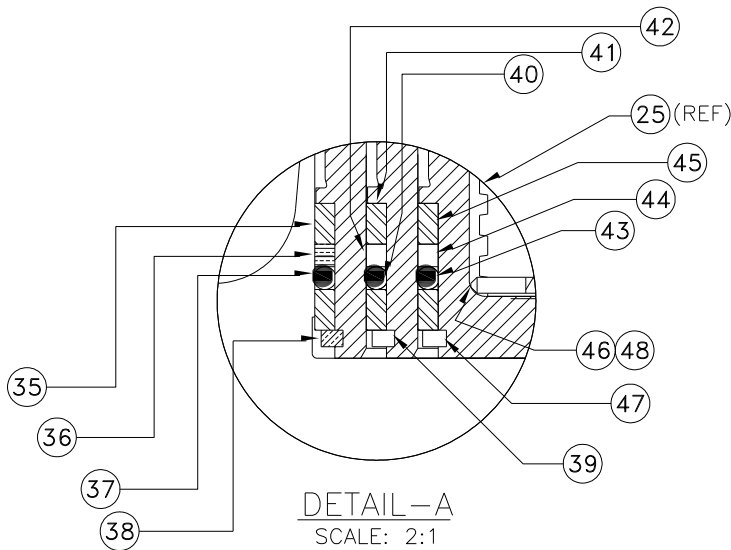
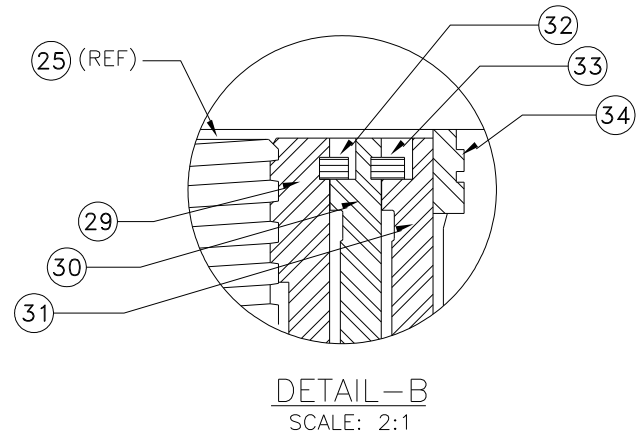
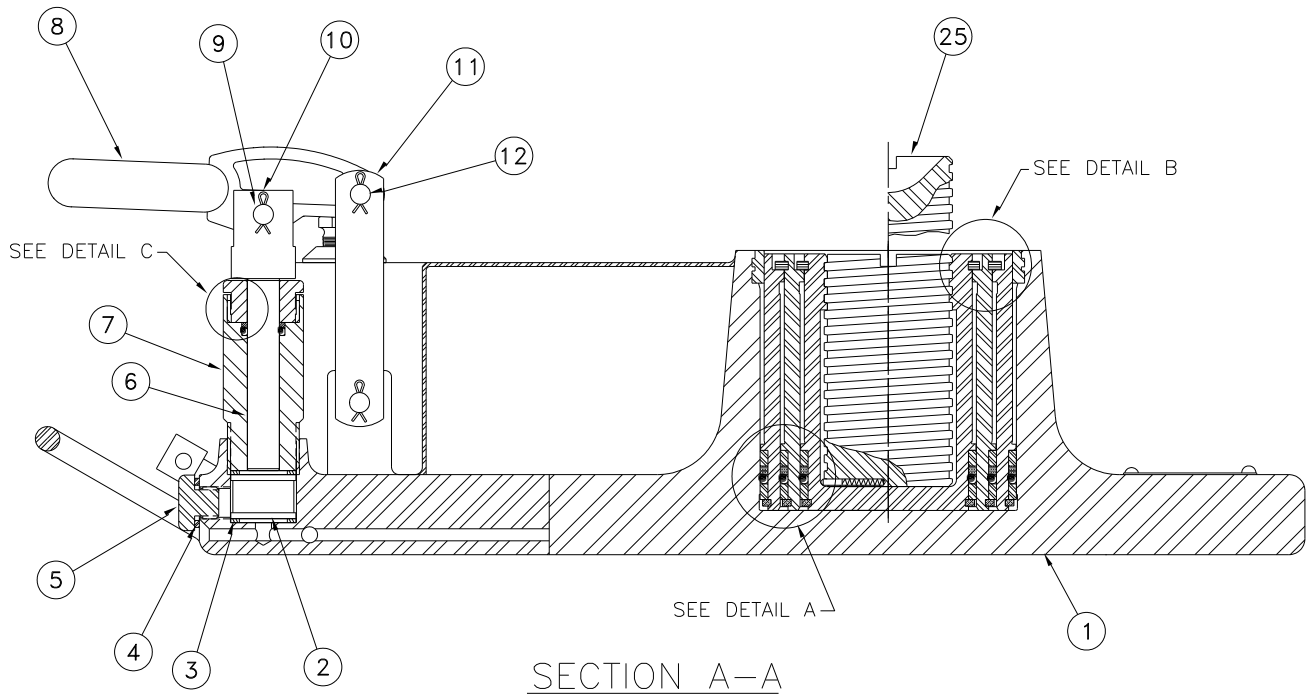
APPENDIX I Routine Jack Maintenance Bulletins



This page left blank internationally.

**Parts List**

When ordering replacement parts/kits, please specify model, serial number and color of your unit.



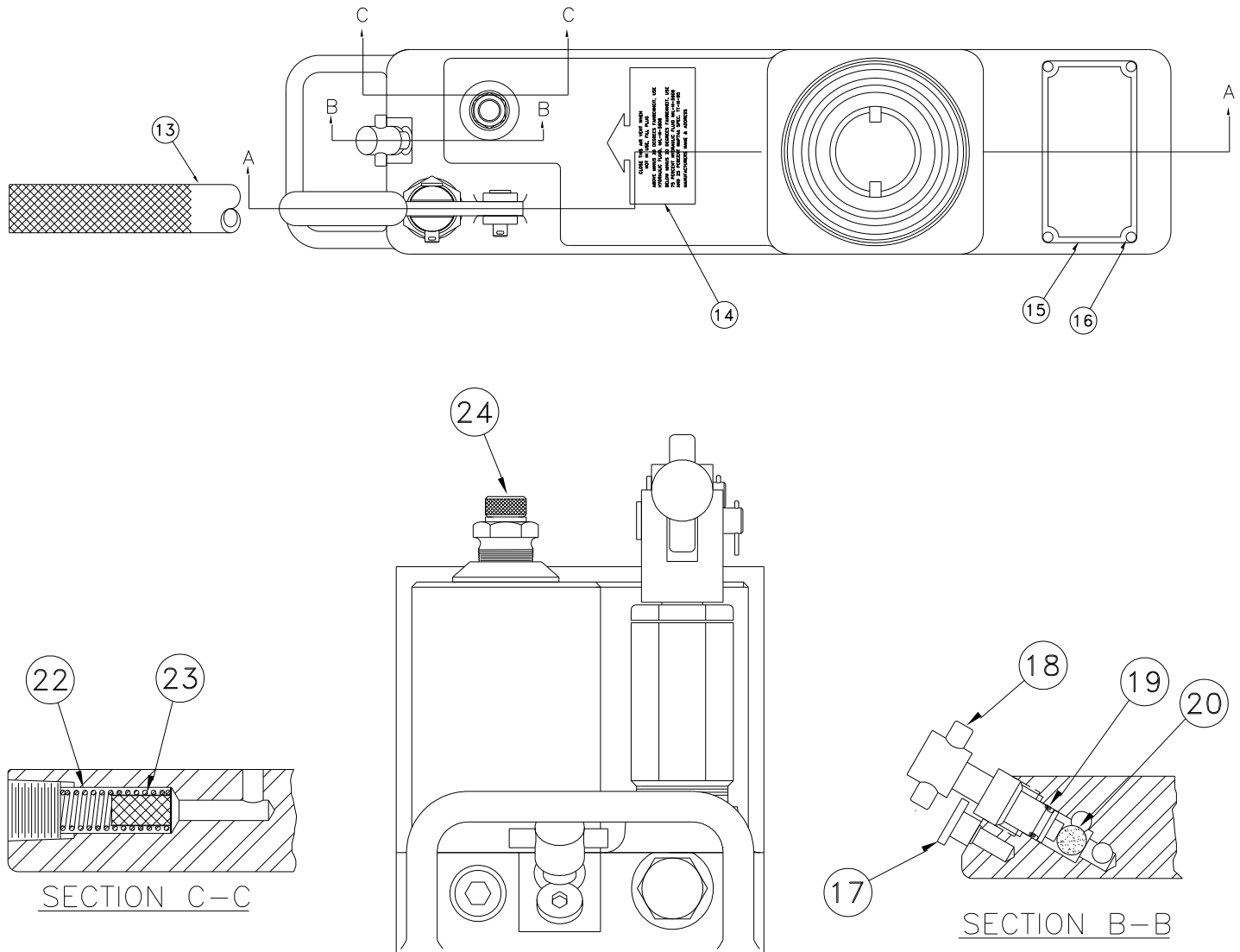
### Parts List

When ordering replacement parts/kits, please specify model, serial number and color of your unit.

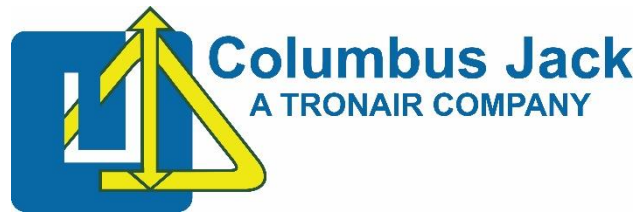
Item	Part Number	Description	Qty
1	CJ67D0251-03	Cylinder Base	1
2	CJ69C1212	Valve Assembly	1
3	53A22099	Gasket, Valve	2
4	53A22098	Gasket, Plug	1
5	53A22045	Screw Adjusting, Valve Plug	1
6	53A22039	Piston Pump	1
7	53A22051	Pump Body	1
8	CJ69B1221	Rocker Arm	1
9	321-14330	Clevis Pin	1
10	322-03240	Cotter Pin	3
11	53B22097-1	Link	2
12	321-14250	Clevis Pin	2
25	CJ67B0262	Extension Screw	1
26	53A22090	Nut, Packing	1
27	53B22036-1	Backup Ring	1
28	611-11211	O-Ring	1
29	CJ67C0261-03	Ram, Third Stage	1
30	CJ67C0260	Ram, Second Stage	1
31	CJ67C0259	Ram, First Stage	1
32	53C22035-7	Retainer Ring	1
33	53C22035-6	Retainer Ring	1
34	CJ67B0258	Bushing, Cylinder	1
35	CJ67B0263-1	Bearing	2
36	618-30183	Backup Ring	1
37	611-24024	O-Ring	1
38	CJ67B0264-1	Retainer Ring	1
39	CJ67B0264-2	Retainer Ring	1
40	611-23523	O-Ring	1
41	CJ67B0263-2	Bearing	2
42	618-30133	Backup Ring	1
43	611-23023	O-Ring	1
44	618-30083	Backup Ring	1
45	CJ67B0263-4	Bearing	2
46	53A22041	Plunger	1
47	CJ67B0264-3	Retainer Ring	1
48	53A22040	Spring	1

### Parts List

When ordering replacement parts/kits, please specify model, serial number and color of your unit.



Item	Part Number	Description	Qty
13	53B22101	Pump Handle	1
14	53A22164	Decal, Air Vent	1
15	CJ67B0267	ID Plate	1
16	450A6984	Drive Screw	4
17	53A22043	Lock Screw	1
18	53A22157	Release Valve	1
19	611-01101	O-Ring	1
20	216-1-24	Steel Ball	1
21	488-00006	Pipe Plug	1
22	CJ69B1225	Spring	1
23	53A22044	Oil Screen, Pump Intake	1
24	50B7763	Air Vent Assembly	1



## **APPENDIX I**

### **Routine Jack Maintenance Bulletins**





# Routine Jack Maintenance Bulletin

TO PROVIDE COMPLETE INFORMATION ON SERVICING  
ColumbusJACK/REGENT QUALITY GROUND HANDLING EQUIPMENT

## **BULLETIN RJM 102 – PROCEDURE FOR WINTERIZATION OF HYDRAULIC AIRCRAFT JACKS**

The following procedures should be utilized for optimum operational characteristics when using jacks at various temperature extremes:

1. Above 0°F (-18°C) Use MIL-PRF-5606, or equal, with no further additive required.
2. At 0° to -20°F (-18°C to 29°C) Use a mixture of 75% MIL-PRF-5606, or equal, and 25% kerosene.
3. Below -20°F (-29°C) Use a mixture of 50% MIL-PRF-5606, or equal, and 50% kerosene.

Due to most company, safety, or union regulations which restrict employees from working out-of-doors below -30°F (-34°C), there is a lack of experience beyond this point. It is permissible, however, to increase the percentage of kerosene up to 100%. As the ambient temperature increases, MIL-PRF-5606, should be added back to the system in the appropriate mixture.

The air supply should be clean and dry. At -30°F (-34°C), the air pump will start to react sluggishly and continue to operate less efficiently as the temperature decreases when a normal air supply is used. The problem can be eliminated by using a dry nitrogen source of sufficient capacity.

To ease the operation of the locknut(s) and screw extension, use "Never Freeze" by Snap-On, or equal, and apply liberally to the thread surfaces.



# Routine Jack Maintenance Bulletin

TO PROVIDE COMPLETE INFORMATION ON SERVICING  
ColumbusJACK/REGENT QUALITY GROUND HANDLING EQUIPMENT

## **BULLETIN RJM 116 –SCREW EXTENSION USAGE**

When using a jack that has a screw extension, it is advisable that the screw extension be extended as far as possible, and still has the jack roll under the jacking point. If the screw extension is not properly extended, the aircraft may not be able to be raised to the desired height.

A periodic check should be made to the screw extension to ensure that the stop is operating properly to prevent over-extension. To do this, rotate the screw extension counterclockwise until it stops rotating. **DO NOT FORCE THE SCREW EXTENSION BEYOND THIS POINT.** If the screw extension does not stop rotating, remove it and repair the stop. **DO NOT USE WITHOUT THE SCREW EXTENSION STOP WORKING PROPERLY, AS THE JACK COULD FAIL WITH AN OVER-EXTENDED SCREW EXTENSION.**



## BULLETIN RJM 117 – PROCEDURE FOR ADJUSTING CARTRIDGE STYLE RELIEF VALVES

It is imperative that safety relief valves on all jacks always be set between rated capacity, and rated capacity plus 10% maximum. The following procedure describes how to adjust cartridge style relief valves.

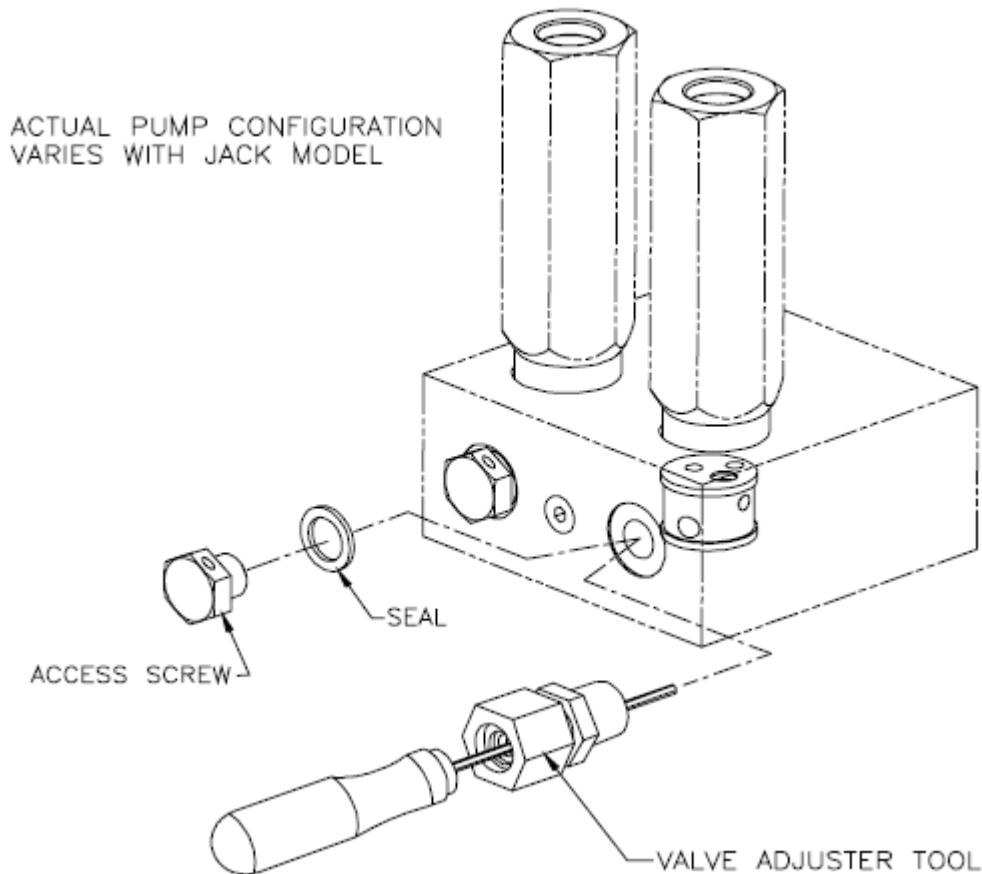
1. Position jack under jack tester.
2. Fully close release valve.
3. Remove access screw and seal. Install valve adjusting tool, Part No. 915-EB. (See illustration)

**NOTE: If tool is not available, disregard this step.**

4. Extend cylinder ram(s):
  - a. On single stage jacks, extend the ram approximately half way.
  - b. On multiple stage jacks, extend all rams until the smallest ram is extended approximately half way.
5. To set valves:
  - a. Using smooth, uniform pump handle strokes, manually pressurize the cylinder while monitoring either jack load gauge or load gauge on tester.
  - b. Pump handle shall "drop" or "go soft" at an indicated load between rated load and rated load plus 10% (ex: 50 ton jack should be between 50 and 55 tons).
  - c. If safety relief valve is set too high, release pressure and rotate adjusting screw counterclockwise. Repeat above steps until valve is adjusted in range.
  - d. If safety relief valve is set too low, release pressure and rotate adjusting screw clockwise. Repeat steps until valve is adjusted in range.

**NOTE: If adjusting tool is not available, it is necessary to relieve pressure completely before removing valve access screw and seal. Then valve set screw can be adjusted using a 1/8 Inch Allen wrench. Valve access screw and seal must be Re-installed before jack can be re-pressurized.**

6. After manual safety relief valve is adjusted, repeat above steps for air of electric pump if applicable.



## **BULLETIN RJM 147 – RECOMMENDED ANNUAL JACK CERTIFICATION PROCEDURE**

The following Recommended Annual Jack Certification Procedure is provided as a guide to insure that hydraulic aircraft jacks are always certified for operation. An annual time interval is a general recommendation only. The actual interval used should include factors for the climatic conditions in which the equipment is stored and the frequency of equipment use. Recommendations for Suggested Preventative Maintenance can be found in RJM 170.

1. With no external load applied to the jack, fully close release valve and fully extend ram(s) to verify function and the absence of external hydraulic leakage.



### **WARNING!**

**DO NOT APPLY PRESSURE AGAINST INTERNAL RAM STOP(S).**

2. Open release valve and verify ram(s) retract fully.
3. Position jack under jack tester.

**NOTE: For tripod jacks, all leg extensions should be installed on the jack.**

4. Close release valve, and extend ram(s) until cup adapter contacts jack tester. Make sure that the ram of a single stage jack is partially extended and that the smaller ram of a multi-stage jack is partially extended.
5. Pressurize the jack against the jack tester. Using a calibrated pressure gauge on either the jack or the jack tester, monitor the pressure until the capacity (operating pressure) of the jack is reached.
6. With the jack pressurized against the jack tester, hold in this position for 3 minutes. Verify that the jack pressure has not decreased, indicating internal leakage.
7. Open the release valve to relieve jack pressure against the jack tester.
8. Set the safety relief valve per jack operation and maintenance manual.

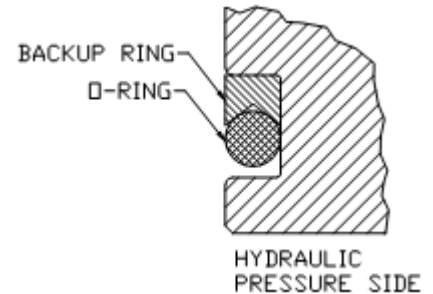
## BULLETIN RJM 149 – TEFLON BACKUP RING INSTALLATION PROCEDURE

When installing new Teflon backup rings on a ram or piston of any jack model, the following procedure should be observed to ensure correct installation of the ring. When installing a new backup ring, the corresponding o-ring should always be replaced also.

1. Cut existing o-ring and Teflon backup ring.
2. Clean and visually inspect the groove in the ram or piston for any nicks, scratches or score marks, which could cut the o-ring and backup ring during installation.
3. Check to ensure backup ring is clean and not damaged.
4. Set backup ring on a flat metal surface.
5. Using a propane torch, heat backup ring in a circular motion until backup ring is equally softened and pliable or flexible.
6. Carefully pick-up the HOT Teflon backup ring off the HOT metal plate and stretch the ring enough to fit over the end of the ram (piston).

**NOTE: Make sure the "V" cup portion of the backup ring will face the o-ring.** (see figure)

7. If backup ring does not return to size after cooling, re-heat backup ring while on the part, and cool quickly with a cold, wet towel or rag.
8. Check to ensure o-ring is clean and not damaged.
9. Carefully stretch o-ring over the end of the ram (piston). Ensure that the o-ring and the "V" cup of the backup ring are facing each other. (See figure)





# Routine Jack Maintenance Bulletin

TO PROVIDE COMPLETE INFORMATION ON SERVICING  
ColumbusJACK/REGENT QUALITY GROUND HANDLING EQUIPMENT

## **BULLETIN RJM 170 – SUGGESTED PREVENTATIVE MAINTENANCE FOR JACKS**

The following Preventative Maintenance Schedule is provided as a guide to insure that hydraulic aircraft jacks are always ready for operation. The time intervals listed are a general recommendation only. The actual interval used should include factors for the climatic conditions in which the equipment is stored and the frequency of equipment use.

### Prior to Operation

1. Inspect for damaged or missing components.
2. Inspect for oil leakage and proper fluid level.
3. Inspect screw extension for mechanical stop.
4. Inspect all snap rings for engagement into grooves.
5. Inspect jack adapter for damage.

### Every 6 Months

1. Inspect for worn snap ring grooves.
2. Change hydraulic filters if applicable.
3. If jack has not been used regularly, cycle jack without load.
4. Grease all lube fittings with a general purpose grease.
5. Wipe down ram(s) and screw extension with hydraulic oil.

### Every 12 Months

1. Calibrate pressure gauge if applicable per RJM 173.
1. Perform "Recommended Annual Jack Certification Procedure" per RJM 147.



# Routine Jack Maintenance Bulletin

TO PROVIDE COMPLETE INFORMATION ON SERVICING  
ColumbusJACK/REGENT QUALITY GROUND HANDLING EQUIPMENT

## **BULLETIN RJM 171 – RECOMMENDED HYDRAULIC OILS**

The following hydraulic oils are recommended for use in all ColumbusJACK/Regent products, though any oil compatible with Buna-N seals may be used. Proper oil level should be .5 to 1 inch below the fill port when all rams are collapsed.

Exxon/Mobil Aero HF (MIL-PRF-5606)  
Exxon/Mobil DTE-11, -15  
NATO Code No. H-538 (MIL-PRF-87257)  
Phillips 66 X/C 5606  
Royco 783 (Aderol) (MIL-PRF-6083)  
Royco 782 (Aderol) (MIL-PRF-83282)  
Shell Tellus 10, 15  
Shell Aerofluid 31 (MIL-PRF-83282)  
Shell Aerofluid 41 (MIL-PRF-5606)  
Texaco Regal Oil R & O (32, 46, 100, 150, 220, 320, 460)