



Model: K-2734-02

**Dash 8-400 MLG
Adapter Kit**

**Parts List
With Illustrations**

08/2000 – Rev. 04

**** When ordering Replacement Parts/Kits, please specify Model, Color and Serial Number of your Unit.****

1740 Eber Rd
Holland, OH 43528-9794
USA

Tronair, Inc.
www.tronair.com
Email: sales@tronair.com

Phone: (419) 866-6301
800-426-6301
Fax: (419) 867-0634

Model: K-2734-02
Dash 8-400 MLG Adapter Kit

This product can not be modified without the written approval of Tronair, Inc. Any modifications done without written approval voids all warranties and releases Tronair, Inc., its suppliers, distributors, employees, or financial institutions from any liability from consequences that may occur. Only Tronair OEM replacement parts shall be used.

1.0 DESCRIPTION

The Dash 8-400 MLG Adapter incorporates the following features:

- Heavy-duty steel construction
- Adjustable strut adapter attachment
- Adjustable jack pad

2.0 USAGE

The Dash 8-400 MLG Adapter is used in conjunction with 14-6872-8100 landing gear installation dolly to install the Dash 8-400 main landing gear into the aircraft.

3.0 SPECIFICATIONS

Weight: 122 lbs.
Length: 44 3/8 inches
Width: 8 inches
Height: 47 3/4 inches

4.0 OPERATION

1. Install K-2734-02 Dash 8-400 MLG Adapter Kit onto 14-6872-8100. (Reference Tronair Landing Gear Installation Dolly 14-6872-8100 Operation and Service Manual.)
2. Loosen clamp screw to open clamp arm. Adjust angle of arm to match landing gear by turning tilt adjust screw. Ensure landing gear rests squarely on pivot block. Close clamp arm and tighten clamp screw.



CAUTION!

**Use extreme caution when installing landing gear onto dolly.
Personal injury and/or damage to landing gear may result.**

5.0 MAINTENANCE

- Lubricate all pivot points with multi-purpose grease.
- Lubricate jack pad adjusting screw with multi-purpose grease.

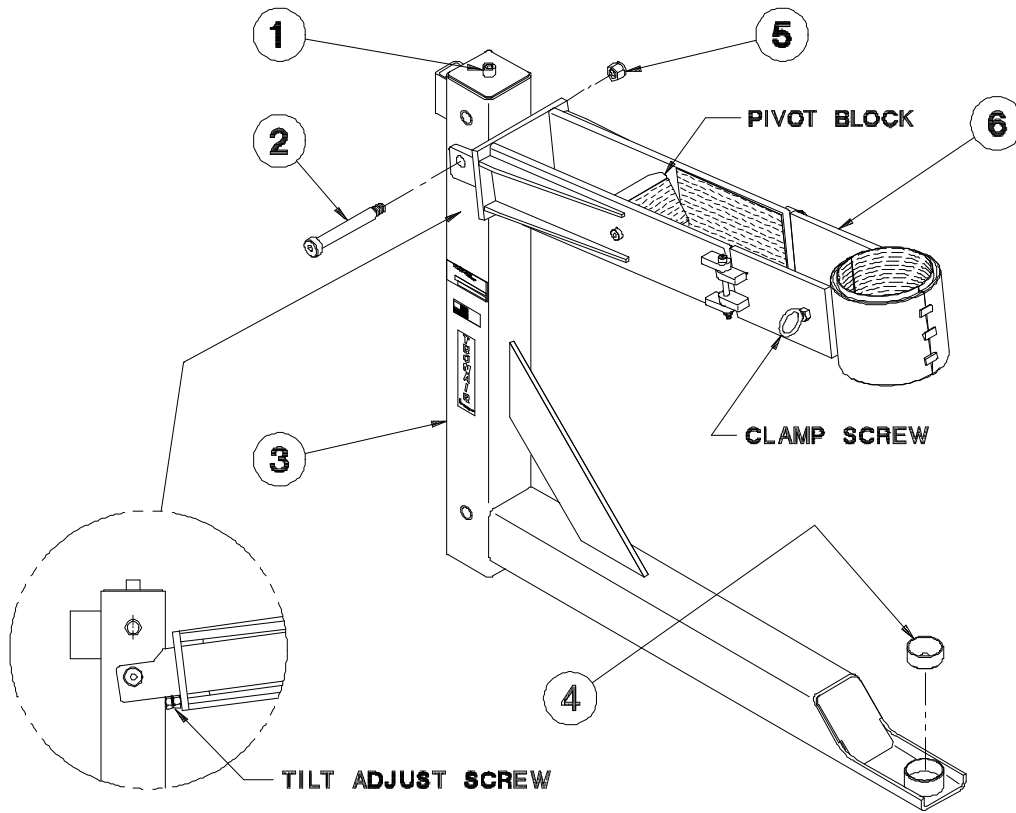
TRONAIR

08/2000 – Rev. 04

- 1 -

Model: K-2734-02
 Dash 8-400 MLG Adapter Kit

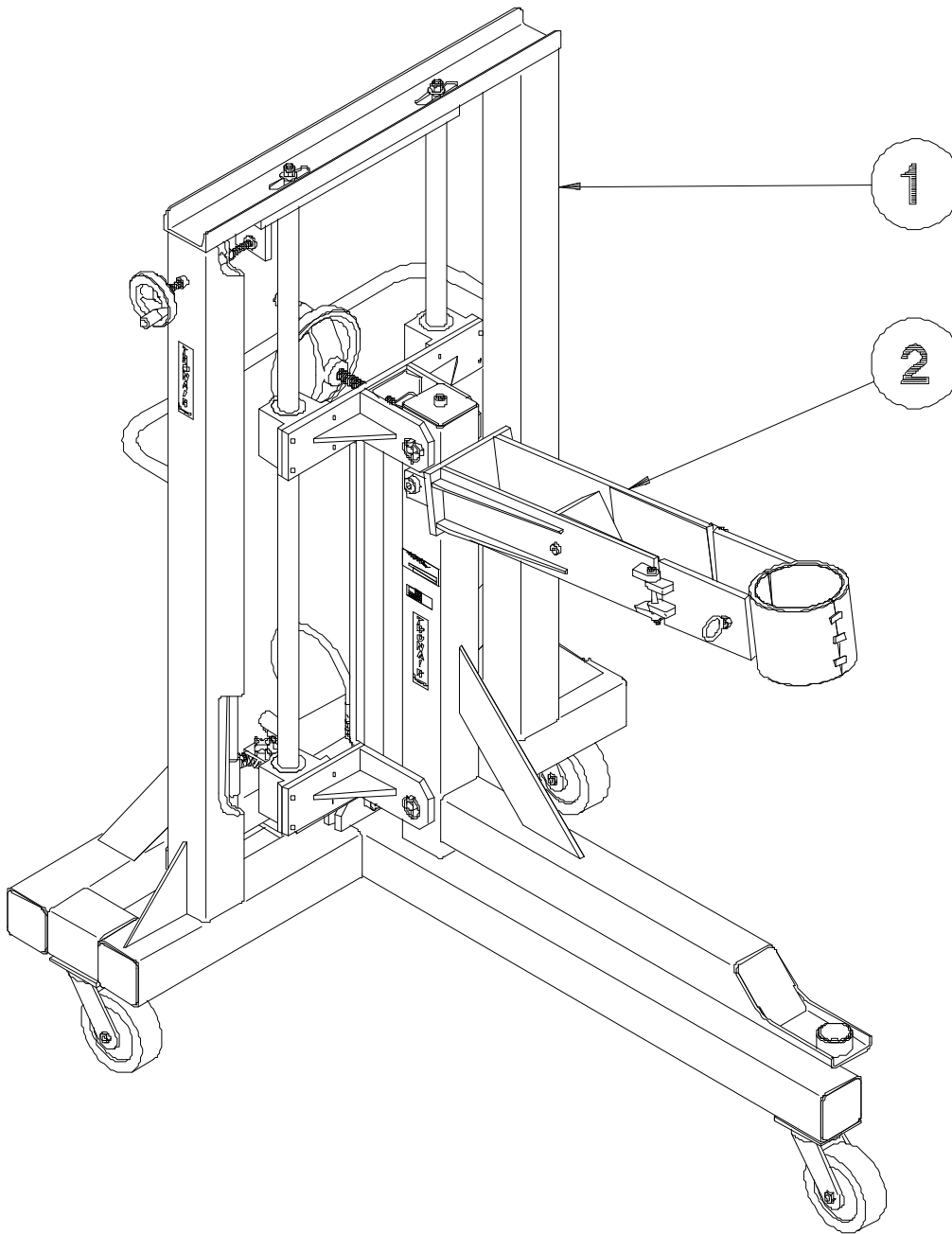
Parts List



ITEM	PART NO.	DESCRIPTION	QTY
1	H-2162	Level, Bubble	1
2	G-1155-110250	Screw, Socket Head Shoulder, 3/4" diameter x 5.0" long	1
4	R-1789	Pad, Protector	1
5	G-1202-1100	Stopnut, 5/8-11 Elastic	1
6	Z-3720	Assembly, Clamp	1
	K-3036	Kit, Arm Replacement; consist of:	
1	H-2162	Level, Bubble	1
3	Z-3719-01	Weldment, Arm (includes Labels)	1
4	R-1789	Pad, Protector	1
	K-3039	Kit, Clamp Assembly Replacement; consist of:	
2	G-1155-110250	Screw, Socket Head Shoulder, 3/4" diameter x 5.0" long	1
5	G-1202-1100	Stopnut, 5/8-11 Elastic	1
6	Z-3720	Assembly, Clamp	1

Model: K-2734-02
 Dash 8-400 MLG Adapter Kit

Parts List



ITEM	PART NO.	DESCRIPTION	QTY
1	14-6872-8100	Dolly, Landing Gear Installation	1
2	K-2734-02	Kit, Dash 8-400 MLG Adapter	1