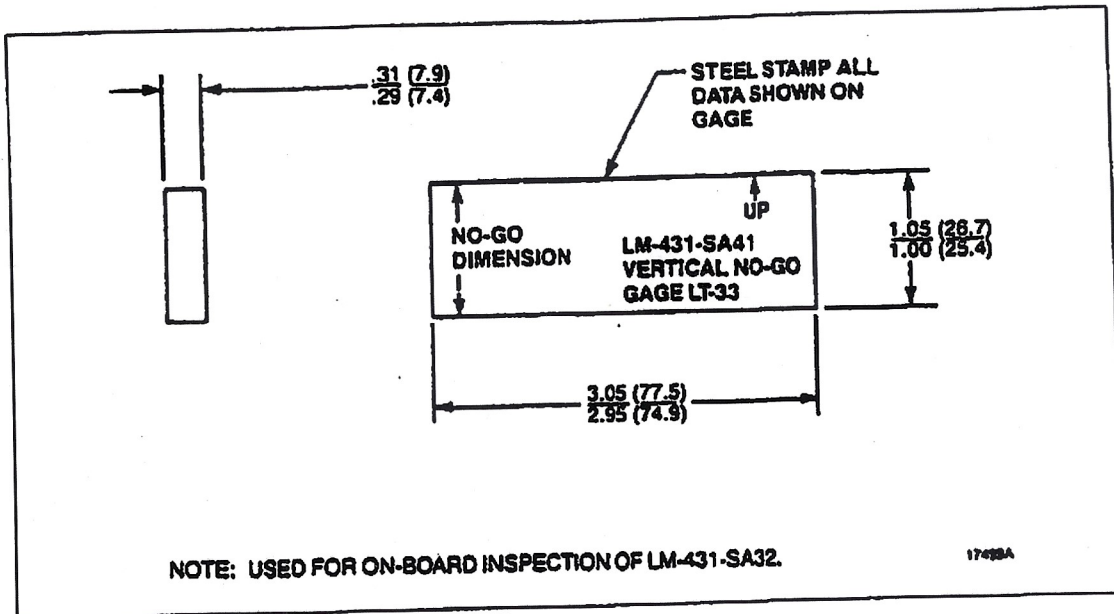
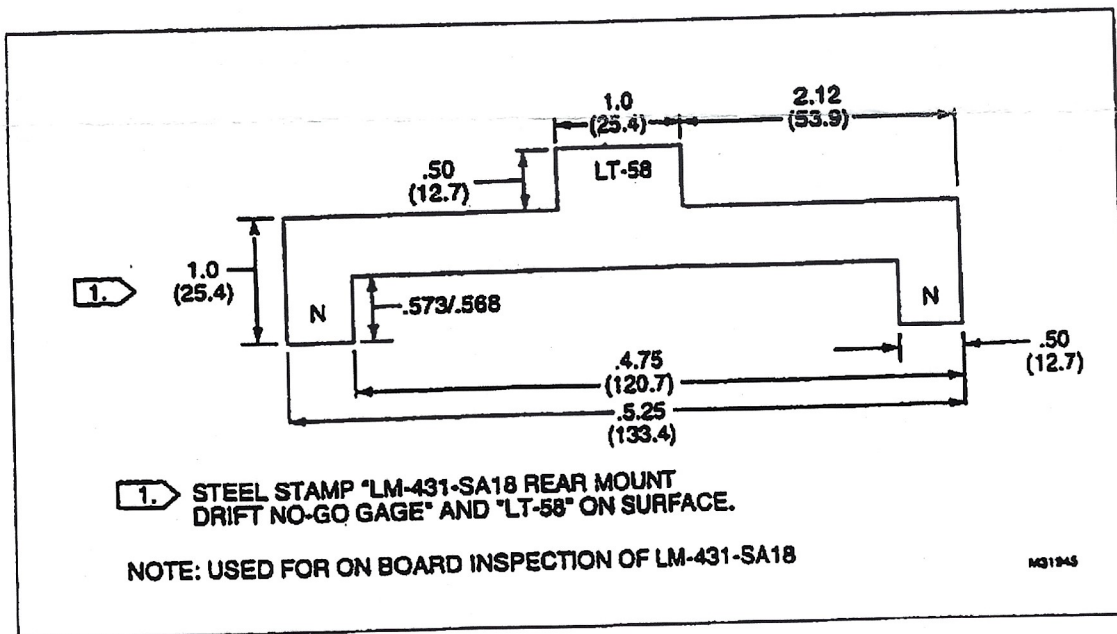


**LORD CORPORATION
COMPONENT MAINTENANCE MANUAL
PART NUMBER LM-431F**

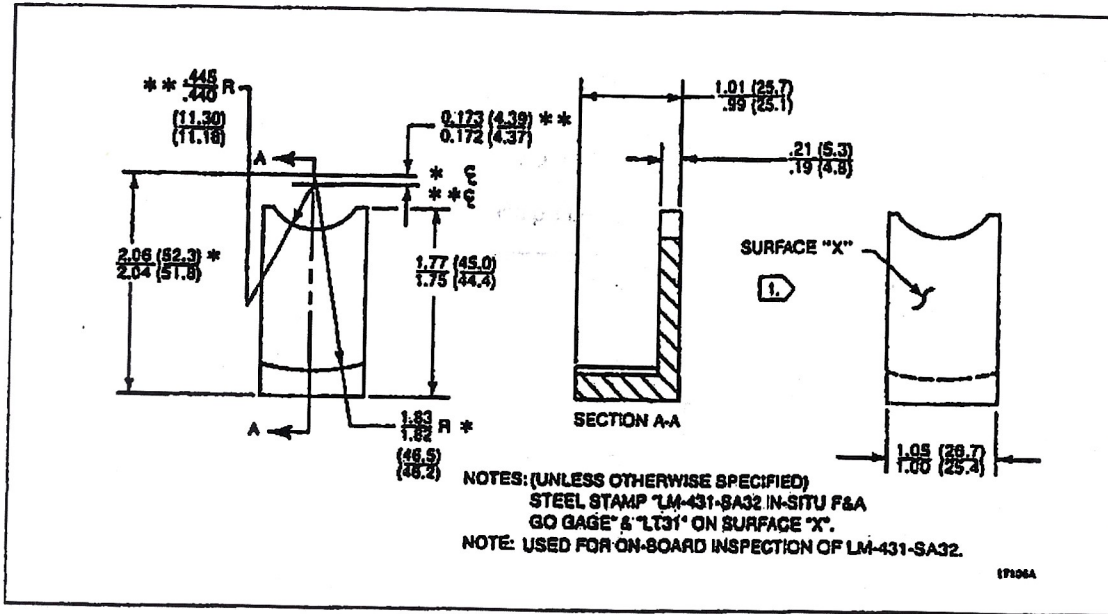


LT33 Vertical No-Go Gage
Figure 905

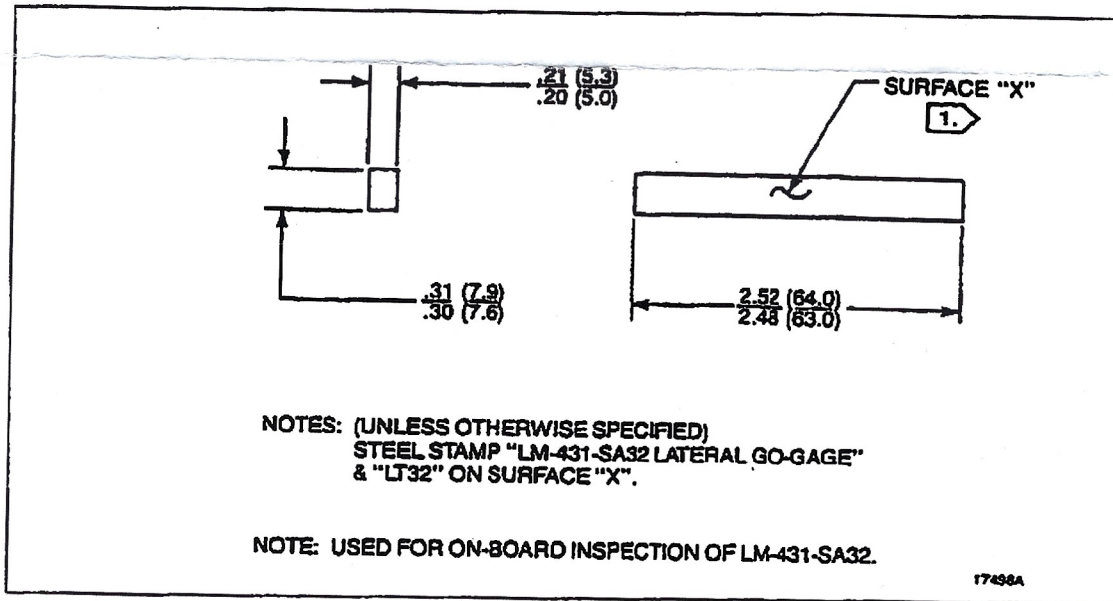


LT58 Drift No-Go Gage
Figure 906

**LORD CORPORATION
COMPONENT MAINTENANCE MANUAL
PART NUMBER LM-431F**



LT31 F&A Go Gage
Figure 903



LT32 Lateral Go Gage
Figure 904

71-20-18

Page 903
Dec 1/99

LORD CORPORATION
COMPONENT MAINTENANCE MANUAL
PART NUMBER LM-431F

ERO # 1234

SPECIAL TOOLS, FIXTURES AND EQUIPMENT

1. General Information.

- A. Refer to Table 901 for a list of special tools, fixtures, and test equipment.
- B. Items may be locally manufactured or purchased from Lord Corporation, Erie, Pennsylvania.

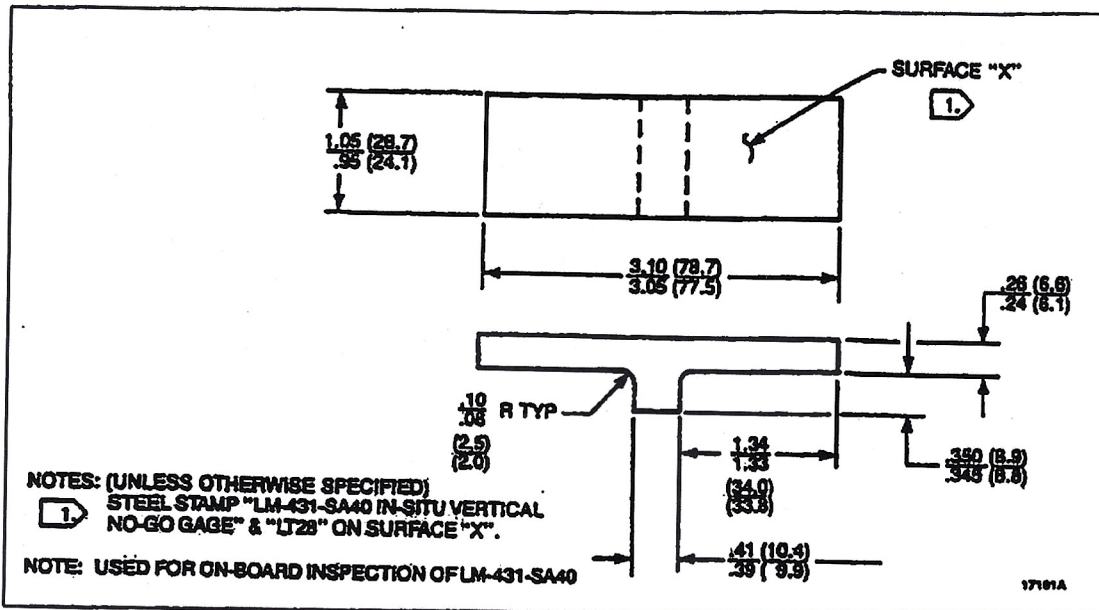
Table 901. Special Tools, Fixtures and Equipment List

NOMENCLATURE	PART/MODEL NUMBER	USED FOR	FIGURE NUMBER
Vertical No-Go Gage	LT28	On-Board inspection of LM-431-SA36	901
F&A Drift Gage	LT30	On-Board inspection of LM-431-SA36	902
F&A Go Gage	LT31	On-Board inspection of LM-431-SA32	903
Lateral Go Gage	LT32	On-Board inspection of LM-431-SA32	904
Vertical No-Go Gage	LT33	On-Board inspection of LM-431-SA32	905
Drift No-Go Gage	LT58	On-Board inspection of LM-431-SA18	906

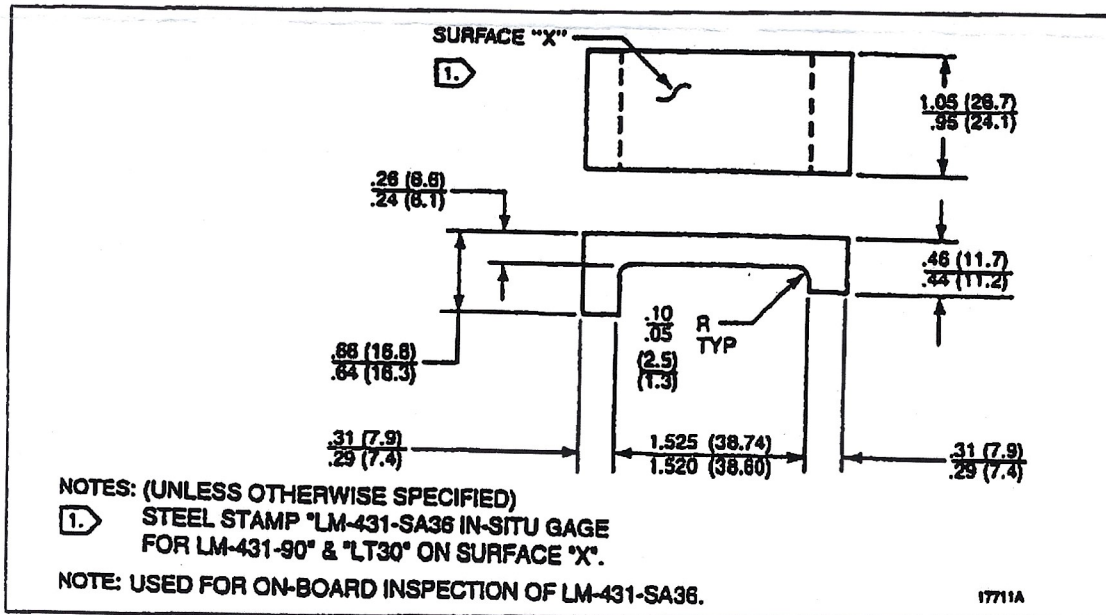
71-20-18

Page 901
Dec 1/99

**LORD CORPORATION
COMPONENT MAINTENANCE MANUAL
PART NUMBER LM-431F**



LT28 Vertical No-Go Gage
Figure 901



LT30 F&A Drift Gage
Figure 901

71-20-18

Page 902

Dec 1/99