

MALABAR

INTERNATIONAL

AIRCRAFT MAINTENANCE & SUPPORT EQUIPMENT

OWNER'S MANUAL FOR MALABAR MODEL

PF55518-6P

2 GALLON FLUID DISPENSER

***READ
AND
SAVE***

**THIS
INSTRUCTION
MANUAL**

- * GENERAL DESCRIPTION
- * OPERATION
- * SERVICE
- * PARTS BREAKDOWN

For Service & Spare
Parts, Please Contact:

Malabar International
220 W. Los Angeles Avenue
Simi Valley, California 93065
Phone: (805) 581-0116
Fax: (805) 584-1624
E-mail: sales@malabar.com
Web site: <http://www.malabar.com>

OVER 65 YEARS OF SERVICE & EXPERIENCE

GENERAL DESCRIPTION, OPERATION, SERVICE AND PARTS BREAKDOWN

MALABAR MODEL PF55518-6P 2 GALLON FLUID DISPENSER

CAUTION: AIRCRAFT MANUFACTURER'S SPECIFICATIONS AND INSTRUCTIONS MUST BE FOLLOWED. IN THE EVENT OF CONTRADICTION BETWEEN AIRCRAFT MANUFACTURER'S SPECIFICATIONS AND MALABAR'S, AIRCRAFT MANUFACTURER'S WILL PREVAIL.

SPECIFICATIONS:

Fluid -----	MIL-PRF-5606	
Reservoir capacity-----	2 U.S. gal	7.6 liters
Pump outlet pressure -----	500 psig	3445 kPa
Volume per stroke -----	2.5 cubic in	41 cc
Hose length -----	120 in	3048 mm
Net weight (empty) -----	12 lbs	5.4 kg
Filter rating-----	3 micron nominal	
Fluid tank color -----	red	

GENERAL DESCRIPTION:

The Malabar Model PF55518-6P is a 2 gallon fluid dispenser used to service various commercial aircraft. The hand pump dispenser consists of a reservoir, pump assembly, filter assembly, pressure gauge, and a fluid delivery hose.

PREPARATION FOR USE:

The unit is shipped fully assembled. Fill reservoir at fillport with approved fluid. Operate hand pump assembly a few strokes to bleed all air out of the system. The unit is now ready for use.

OPERATION:

1. Connect the hose to the aircraft service point.
2. Use full steady pumping strokes when operating pump assembly during replenishing.
3. Disconnect the hose from the aircraft service point and store the unit in a dry, dust free location.

ILLUSTRATED PARTS LIST:

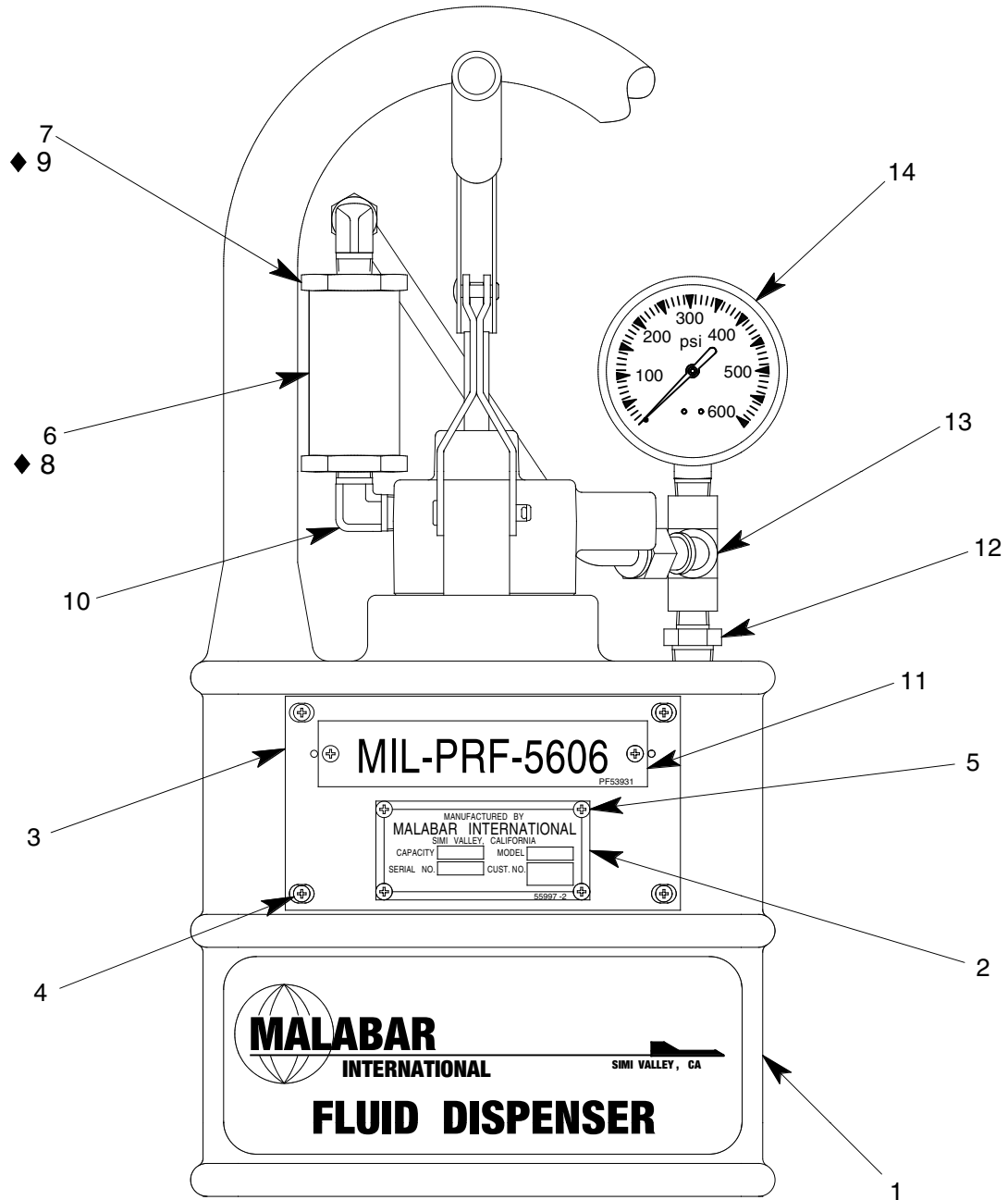
Refer to figure 1A & 1B for unit assembly (see sheets 3 & 4) or figure 2 for pump assembly (see sheet 5).

SERVICING:

1. The frequency of filter change depends on operating conditions. Generally, changes should be made every 3-4 months or sooner if more than normal resistance is felt on the pumping stroke at low pressure. Refer to item 8 in figure 1A (see sheet 3) to change element.

REPAIR AND REPLACEMENT:

No definite time schedule can be established for the overhaul of the pump assembly for the replacement of the various moving parts. The number of times the pump assembly is operated materially affect the life of the working parts. The moving piston seal (item 4) and rod seal (item 14) are normally the first to wear (see sheet 5). This is usually indicated by leakage of fluid past the piston or rod. It is advisable to change piston seal (item 4), rod seal (item 14) and gasket (item 13) immediately if leakage is discovered. A repair parts kit (P/N PF2-73PK) is available and recommended to keep on hand at your facility. Refer to sheet 6 for the complete list of parts contained in the repair parts kit.

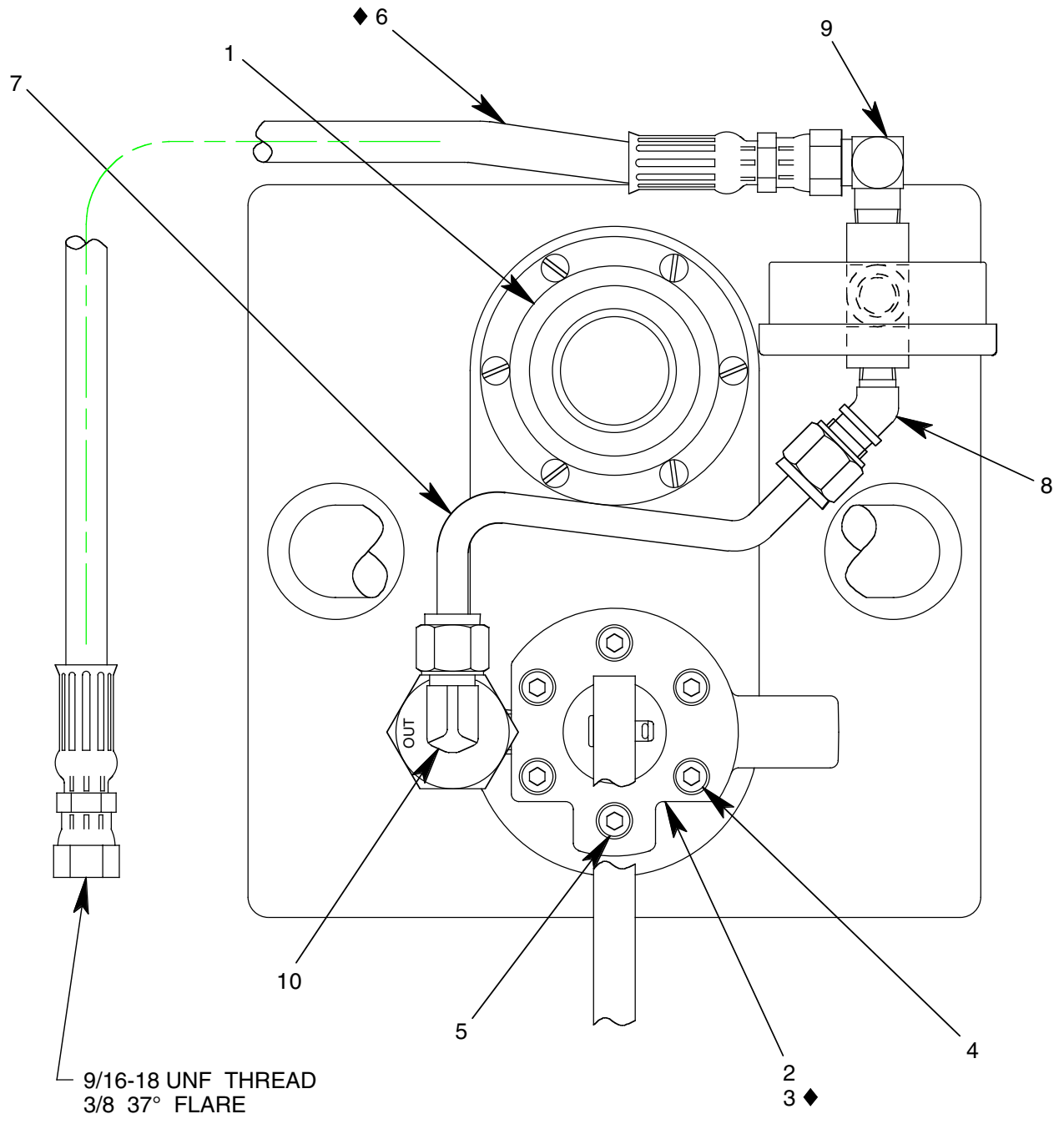


◆ PART OF REPAIR PARTS KIT

FIGURE 1A

PF55518-6P UNIT ASSEMBLY

NO.	QTY	PART NO.	PART NAME	NO.	QTY	PART NO.	PART NAME
1	1	PF55838-1	FLUID TANK	8	1	481-005	FILTER ELEMENT
2	1	55997-2	NAMEPLATE	9	1	55925-120	O-RING
3	1	PF55859	PLACARD PLATE	10	1	712-022	ELBOW, 90°, 1/4 NPT
4	4	344-011	FHMS, 6-32 x 7/16 LG	11	1	PF53931	PLACARD
5	6	397-010	SELF TAPPING SCREW, 6-32	12	1	711-018	NIPPLE, 3/8 NPT x 1/4 NPT
6	1	PF712721	FILTER BODY	13	1	715-002	CROSS, 1/4 NPT
7	1	PF712722	FILTER RETAINER	14	1	482-014	GAUGE, 0-600 PSIG



◆ PART OF REPAIR PARTS KIT

FIGURE 1B

PF55518-6P UNIT ASSEMBLY

NO.	QTY	PART NO.	PART NAME	NO.	QTY	PART NO.	PART NAME
1	1	PF55447	FILLPORT ASSEMBLY	6	1	PF55456	HOSE ASSEMBLY
2	1	PF55525	PUMP ASSEMBLY	7	1	732-010	TUBING, 3/8 OD x .065 WALL
3	1	PF55672	GASKET	8	1	722-022	ELBOW, 45°, 1/4 NPT x 3/8 T
4	5	323-038	SHCS, 1/4-28 x 1 3/4 LG	9	1	722-005	ELBOW, 90°, 1/4 NPT x 3/8 37°
5	1	323-063	SHCS, 1/4-28 x 1" LG	10	1	722-014	ELBOW, 90°, 1/4 NPT x 3/8 T

◆ PART OF REPAIR PARTS KIT

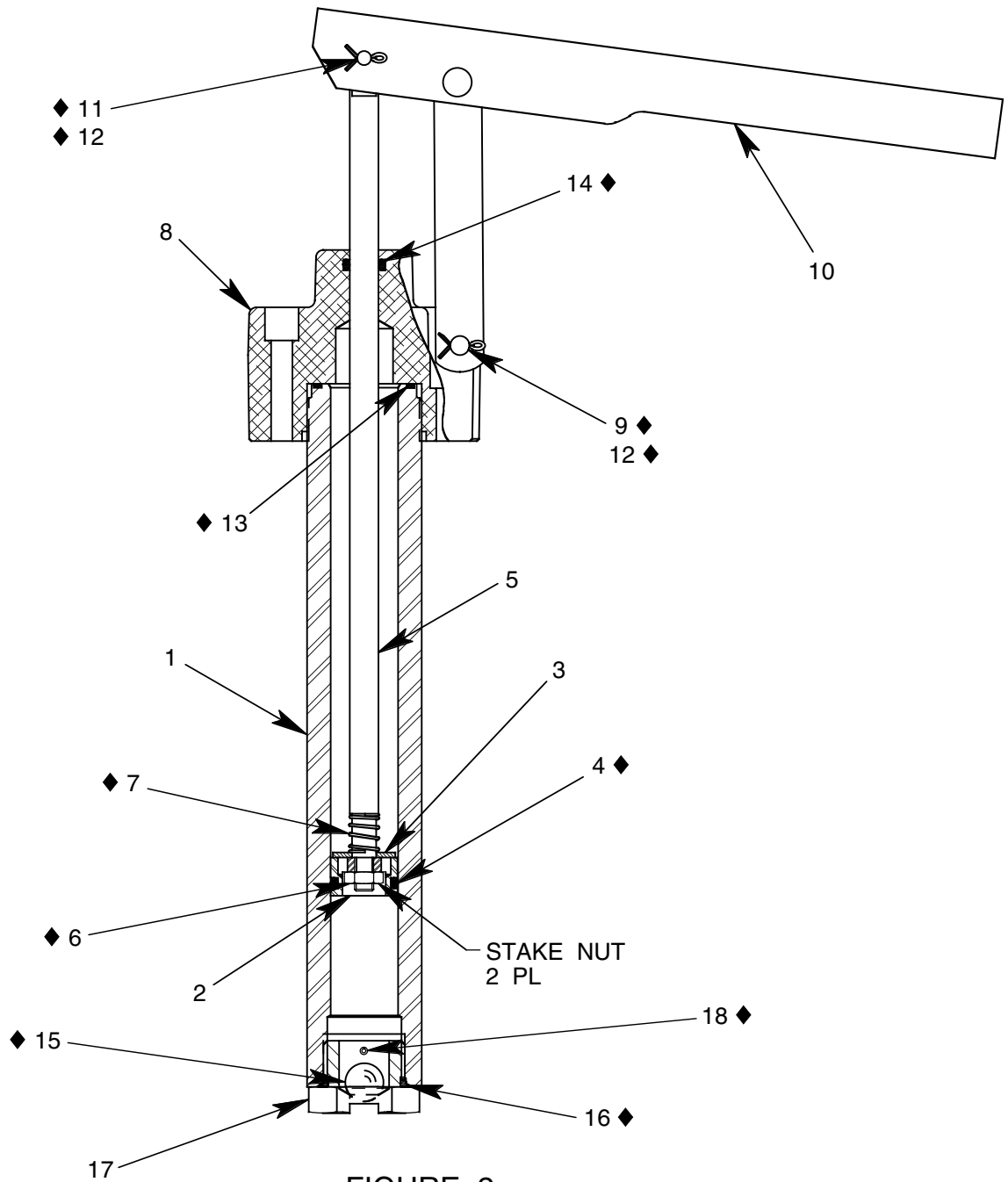


FIGURE 2

PF55525 PUMP ASSEMBLY

NO.	QTY	PART NO.	PART NAME	NO.	QTY	PART NO.	PART NAME
1	1	PF55441	PUMP TUBE	10	1	494-017	HANDLE ASSEMBLY
2	1	PF55452	PUMP PISTON	11	1	AN393-17	FH PIN, 3/16 DIA x 17/32 LG
3	1	PF55453	PUMP PISTON DISC	12	2	372-011	COTTER PIN, 1/16 x 1/2 LG
4	1	55925-115	O-RING	13	1	55925-024	O-RING
5	1	PF53378	PUMP PISTON ROD	14	1	55925-110	O-RING
6	1	352-011	HEX JAM NUT, 1/4-28	15	1	412-006	STEEL BALL, 1/2 DIA
7	1	PF53406	SPRING	16	1	55925-912	O-RING
8	1	PF55685	PUMP OUTLET	17	1	PF55442	VALVE BODY
9	1	373-006	FH PIN, 1/4 DIA x 1 9/32 LG	18	1	371-017	ROLL PIN, 3/32 DIA x 7/8 LG

PF2-73PK REPAIR PARTS KIT

QTY	PART NO.	PART NAME
1	PF55456	HOSE ASSEMBLY
1	PF55672	GASKET
1	55925-120	O-RING
1	481-005	FILTER ELEMENT
1	373-006	FLAT HEAD PIN, 1/4 DIA x 1 9/32 LG
2	372-011	COTTER PIN, 1/16 DIA x 1/2 LG
1	AN393-17	FLAT HEAD PIN, 3/16 DIA x 17/32 LG
1	55925-024	O-RING
1	PF53406	SPRING
1	412-006	STEEL BALL, 1/2 DIA
1	55925-110	O-RING
1	55925-912	O-RING
1	55925-115	O-RING
1	352-011	HEX JAM NUT, 1/4-28
1	371-017	ROLL PIN, 3/32 DIA x 7/8 LG
1	PF2-73PKDOC	REPAIR PARTS KIT LIST