

SPARE PARTS CATALOG

CLASSIC PLUS 14



MOVINCOOL®
THE #1 SPOT COOLING SOLUTION

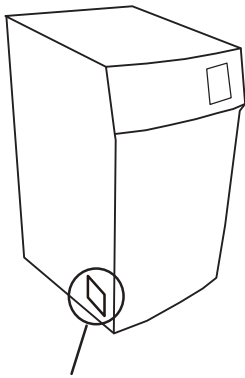
DocID: 00G00075EB

Table of Contents

No.	UNIT PART NUMBER	SERIAL NUMBER RANGE	REFRIGERANT	SECTION
1	GX484000-3790	0108XXXX140 to Present (From January 2008 to Present)	R410A	Page 3 ~ 13 SP0014-02
2	GX484000-3720	0407XXXX140 to 1207XXXX140 (From April 2007 to December 2007)	R22	Page 15 ~ 25 SP0013-02
3	LA484000-3420	0298XXXX140 to 0307XXXX140 (From February 1998 to March 2007)	R22	Page 27 ~ 39 SP0012-02
	LA484000-2191			

SERIAL NUMBER LOCATION AND IDENTIFICATION

Nameplate Label



Nameplate Label Position

COOLING AMPS. WITH PUMP

COMPR. OUTPUT

REFRIGERANT/TOTAL CHARGE

DESIGN PRESSURE LO/HI

PART NO./WEIGHT

SERIAL NO.

▲▲ □□ XXXX ###

Month
Year

Model
Sequential
Number

© 2012 DENSO SALES CALIFORNIA, INC.

All rights reserved. This book may not be reproduced or copied, in whole or in part, without the written permission of the publisher. DENSO SALES CALIFORNIA, INC. reserves the right to make changes without prior notice. MovinCool®, Office Pro® and SpotCool® are registered trademarks of DENSO Corporation.

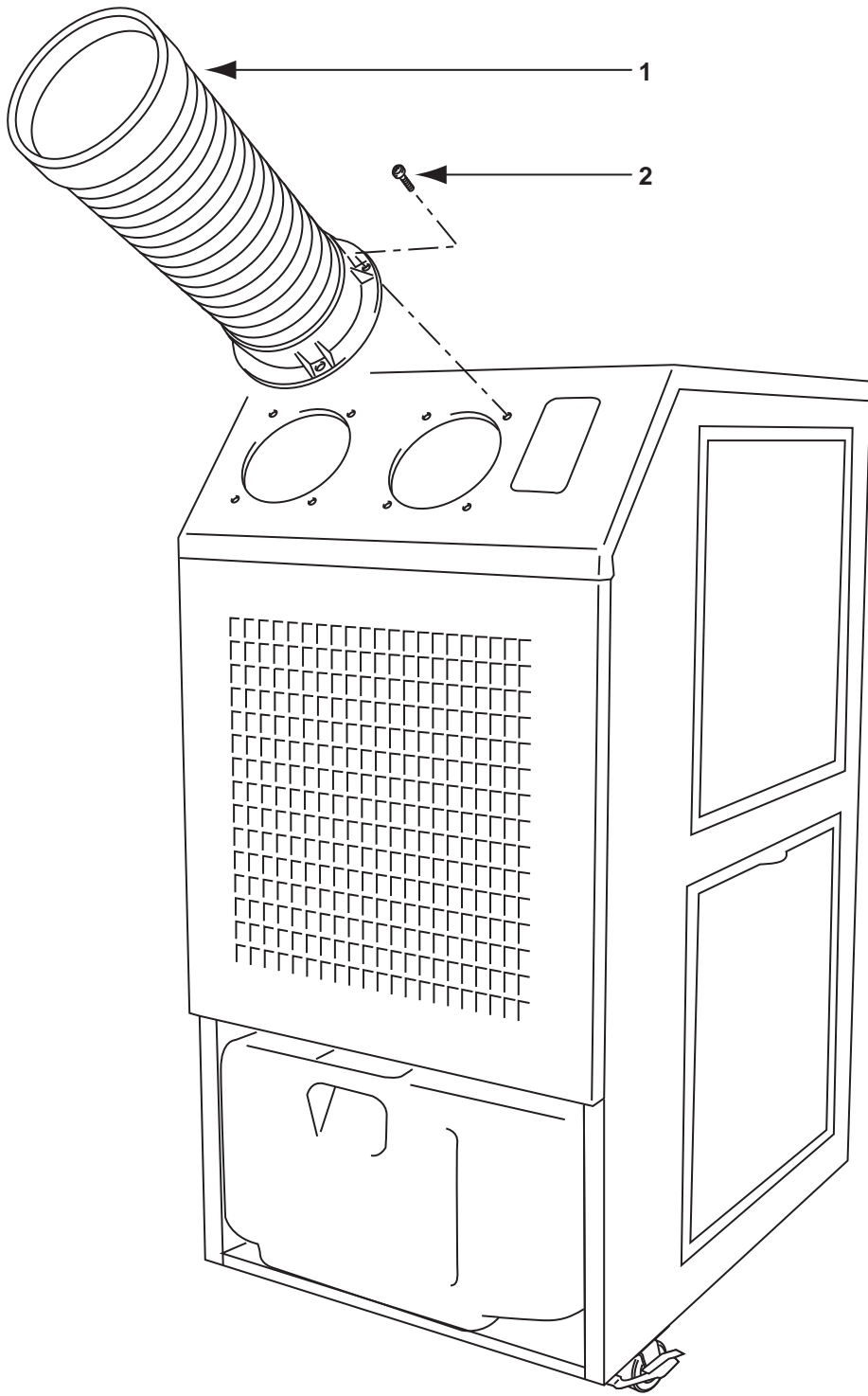
CLASSIC PLUS 14

Unit Part No: GX484000-3790

Unit Serial Number Range:

0108XXXX140 to Present
(From January 2008 to Present)

CLASSIC PLUS 14



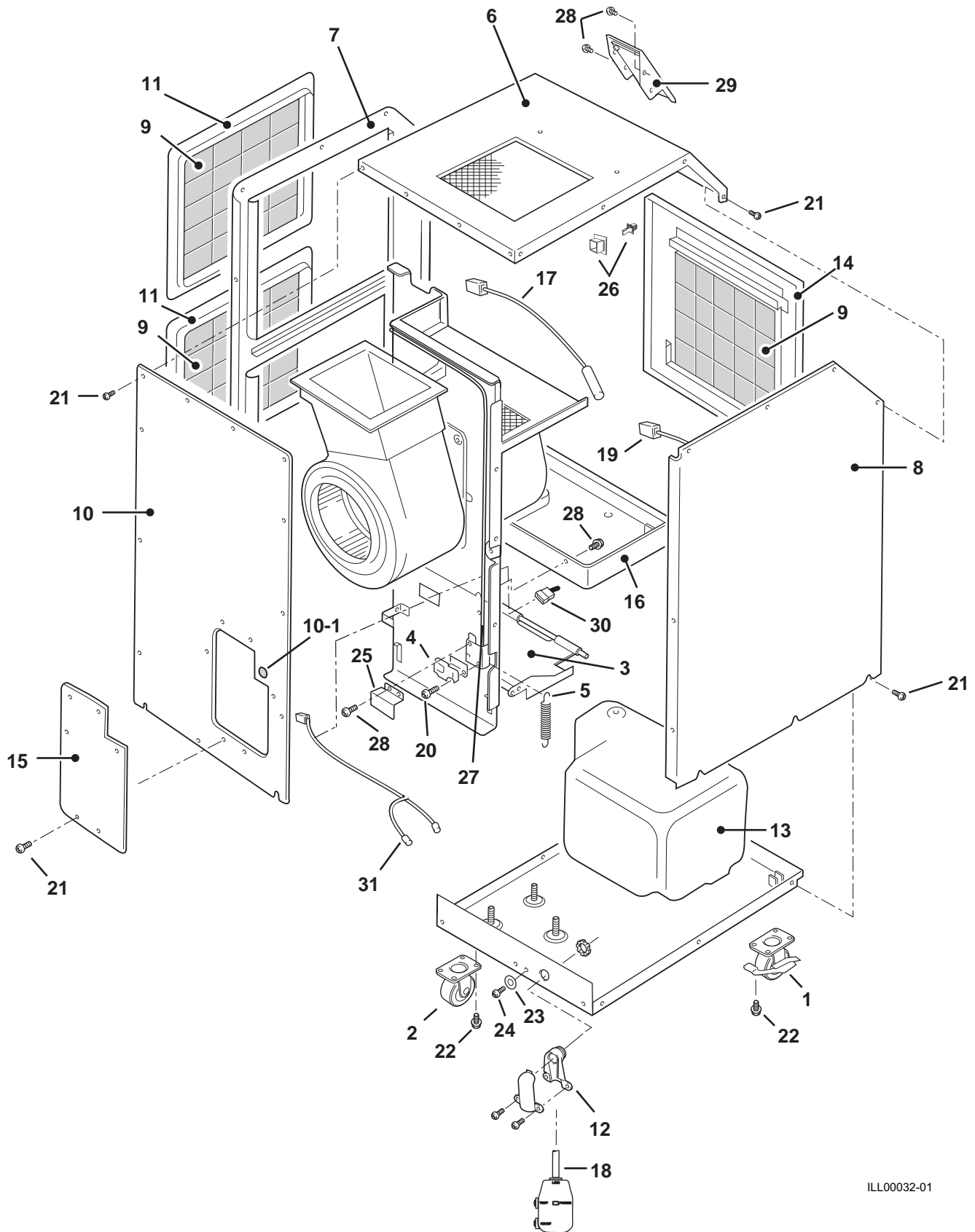
ILL00031-01

CLASSIC PLUS 14

ILL. NO.	DESCRIPTION	PART NO.	QTY.	UNIT SERIAL NO. RANGE*	REMARKS
1	Duct Assy	LAY84209-0030	2		
2	Screw w/Washer	91370-06121	8		M6x1, L=12

*: Please refer to page number 2 for the position of the nameplate showing the serial number on the unit.
"Unit Serial Number Range*" column indicates the first four digits of the unit serial number.

CLASSIC PLUS 14



ILL00032-01

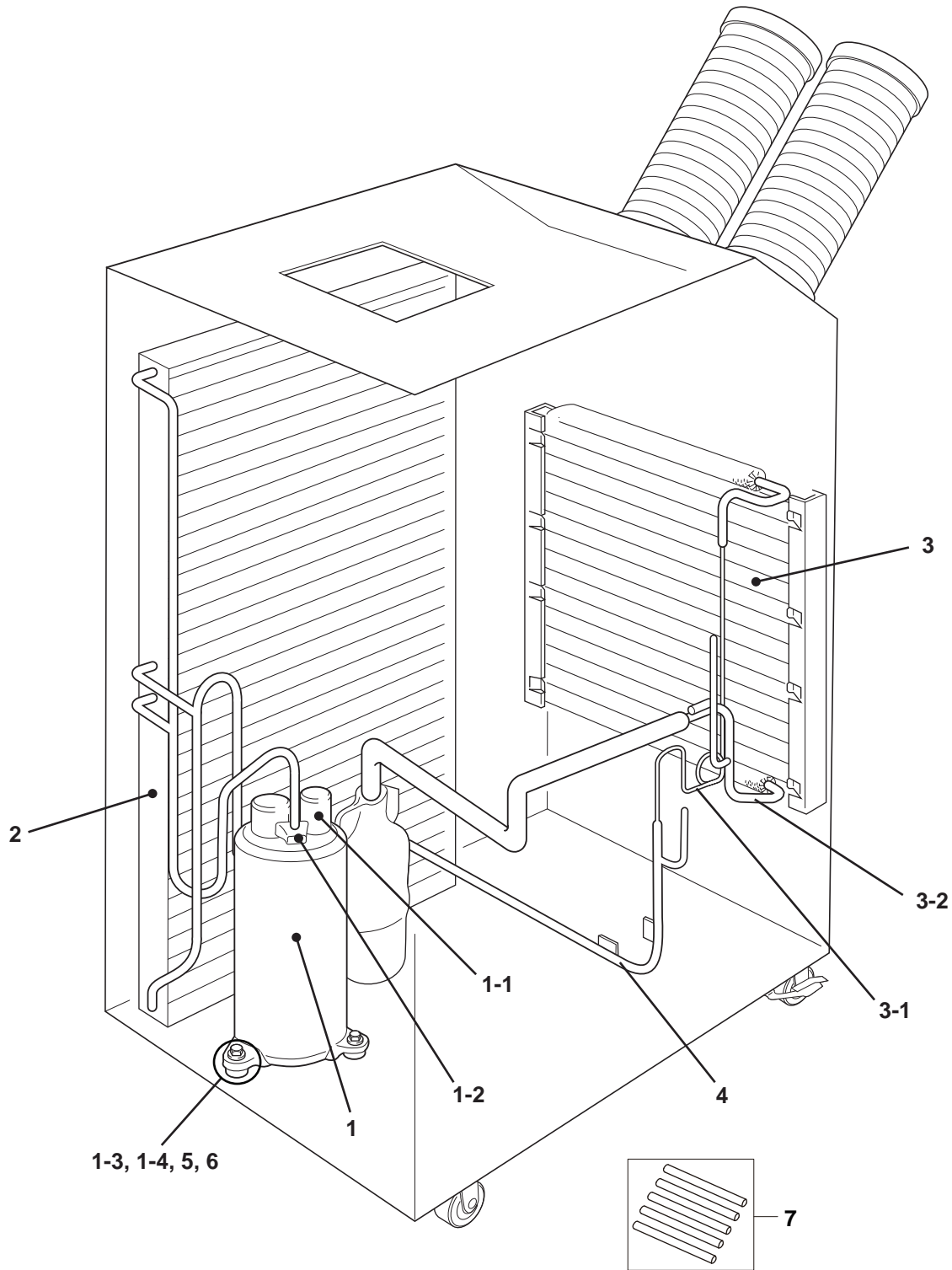
CLASSIC PLUS 14

ILL. NO.	DESCRIPTION	PART NO.	QTY.	UNIT SERIAL NO. RANGE*	REMARKS
1	Caster w/Brake	LA484702-0330	2		
2	Caster	LA484702-0340	2		
3	Frame Sub-Assy	LA484310-3600	1		For Drain Tank
4	Switch, Drain Tank	LA484502-0380	1		
5	Spring, Tension Coil	484917-0680	2		
6	Panel Assy, Upper	GX484410-8030	1		
7	Panel Assy, Right	GX484410-8780	1		
8	Panel Assy, Left	GX484410-8790	1		
9	Element, Filter	LA484401-1100	3		
10	Panel Assy, Rear	GX484410-8800	1		w/ILL.NO.10-1
10-1	Cap Cover	GX484926-0700	1		
11	Frame Assy, Filter (Condenser)	GX484400-0470	2		w/ILL.NO.9
12	Connector (Retainer, Power Cord)	LA484506-0090	1		
13	Tank, Drain	484731-0220	1		
14	Panel Assy, Front	LA484410-7940	1		w/ILL.NO.9
15	Panel Assy, Service	GX484410-8810	1		
16	Pan Assy, Drain	LA484430-0120	1		
17	Thermistor, Room Temperature	LAY84532-0021	1		
18	Wire Assy, Power Cord	LA484930-8650	1		LCDI
19	Thermistor, Anti-Freeze Up	LAY84532-0011	1		
20	Screw w/Washer	91310-03161	2		M3x0.5, L=16
21	Screw w/Washer	480919-0370	43		M4x0.7, L=10
22	Bolt w/Washer	91510-08141	8		M8x1.25, L=14
23	Washer, Plate	90201-06400	1		Ground
24	Screw	90051-06120	1		Ground (M6x1, L=12)
25	Cover	LA484391-1870	1		
26	Holder, Front Panel Clip	LA484009-0700	2		Male & Female Kit
27	Wire Assy	GX484930-9122	1		Main Harness (RB)↔(CB)
28	Screw	949006-5850	27		M4x0.7, L=10
29	Switch Assy	GX484560-1843	1		Operation Panel & PCB
30	Connector, Jumper	LA484930-8160	1		Drain Pump
31	Wire Assy	LA484930-8330	1		Drain Pump

*: Please refer to page number 2 for the position of the nameplate showing the serial number on the unit.

"Unit Serial Number Range*" column indicates the first four digits of the unit serial number.

CLASSIC PLUS 14



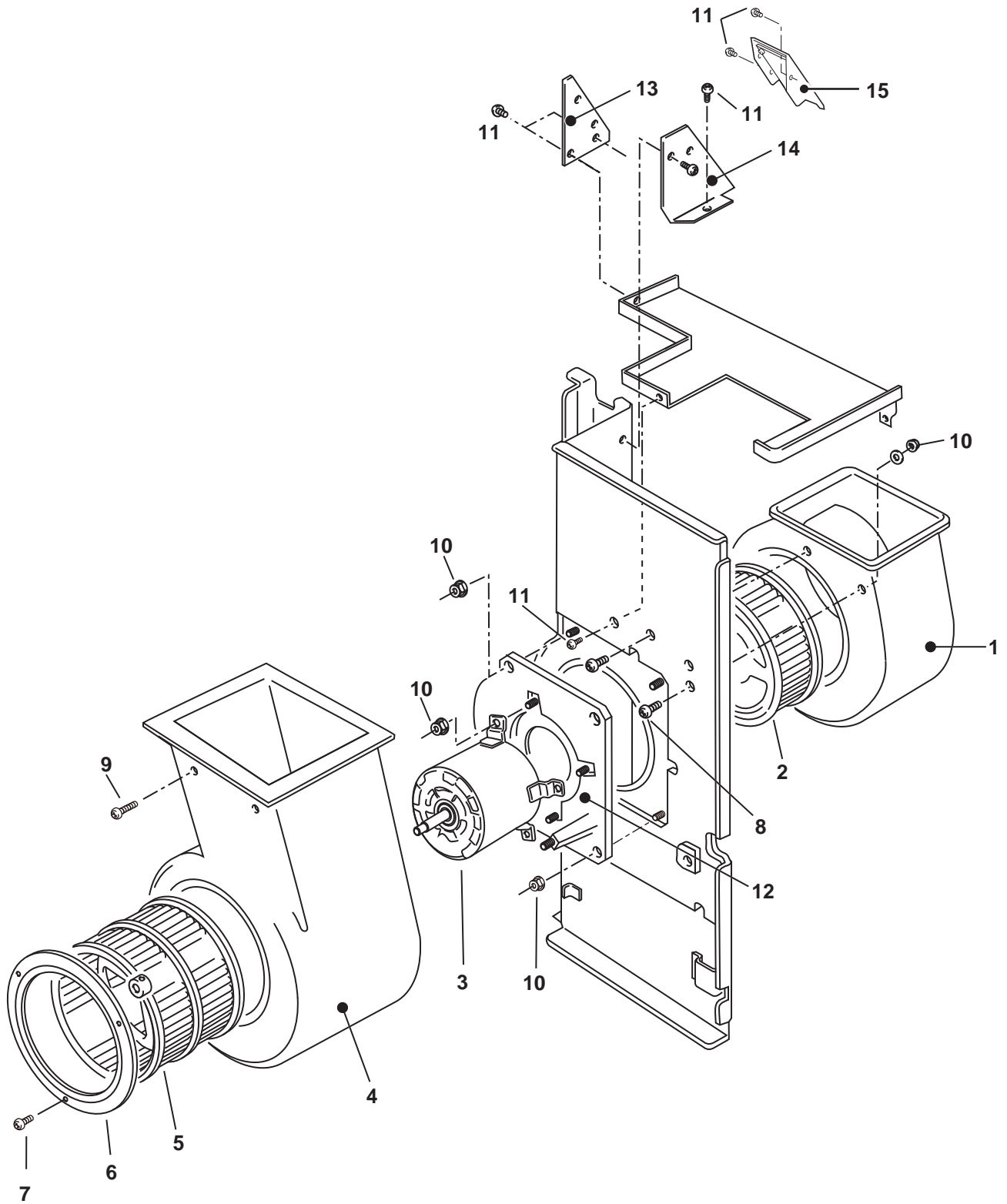
ILL00033-00

CLASSIC PLUS 14

ILL. NO.	DESCRIPTION	PART NO.	QTY.	UNIT SERIAL NO. RANGE*	REMARKS
1	Compressor Assy	GX484650-2750	1		w/Pipe for Discharge & Suction w/ILL.NO.1-1~1-4
1-1	Overload Relay	GX484501-0420	1		
1-2	Wire Assy	GX484930-9110	1		For Compressor
1-3	Cushion	GX484904-0380	3		
1-4	Collar, Steel	GX484915-0410	3		
2	Core Assy, Condenser	GX484600-2270	1		
3	Core Assy, Evaporator	GX484600-2280	1		w/ILL.NO.3-1~3-2
3-1	Pipe Assy, Capillary	GX484800-4330	1		
3-2	Pipe Assy, Evaporator Outlet	GX484800-4350	1		
4	Pipe Assy, Connecting	GX484800-4340	1		
5	Washer, Steel Plate	949011-5330	3		
6	Nut	90190-08651	3		M8x1.25
7	Pipe Assy, Charging	484800-0440	1		5 pieces per package

*: Please refer to page number 2 for the position of the nameplate showing the serial number on the unit.
 "Unit Serial Number Range*" column indicates the first four digits of the unit serial number.

CLASSIC PLUS 14



ILL00029-01

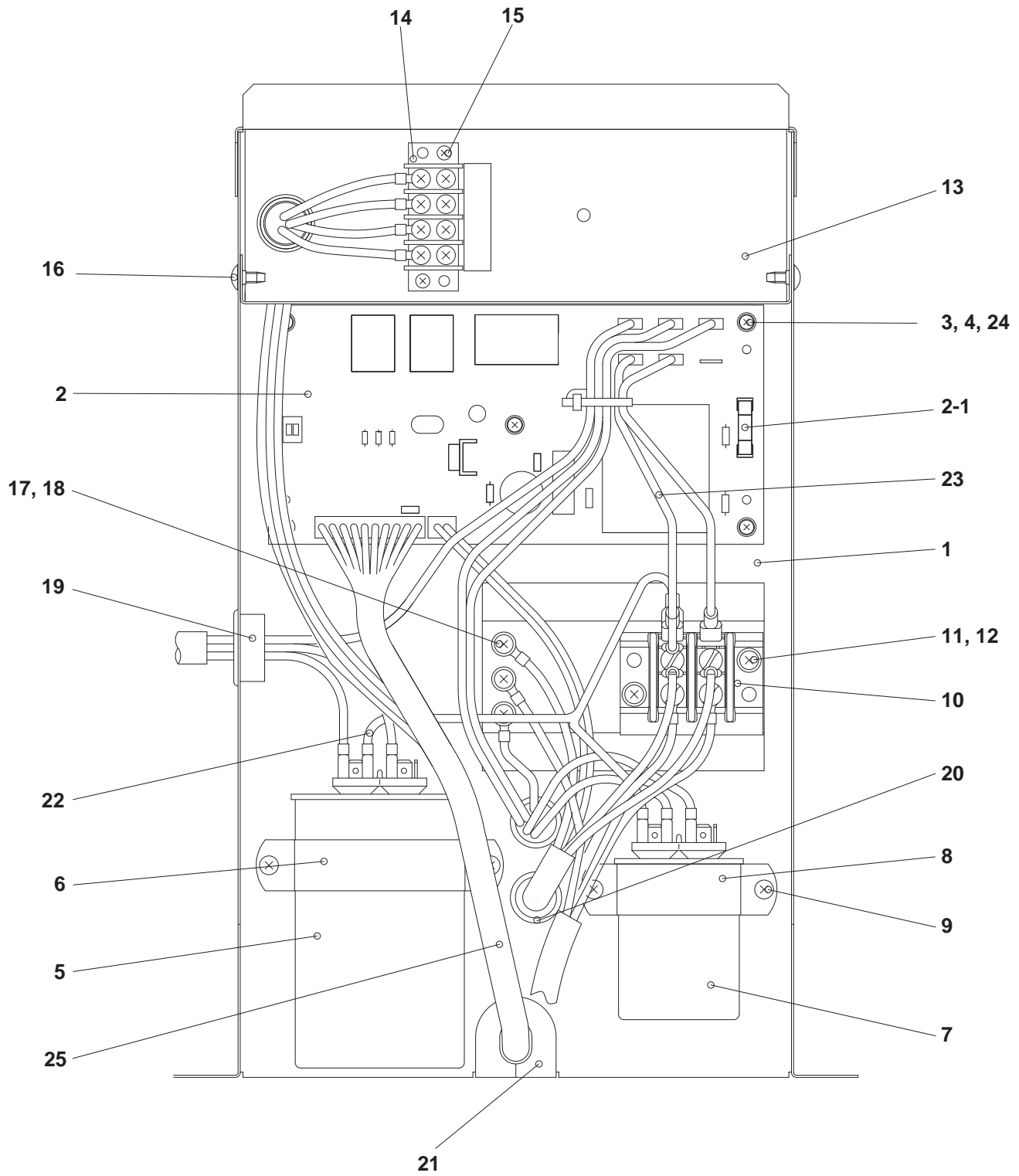
CLASSIC PLUS 14

ILL. NO.	DESCRIPTION	PART NO.	QTY.	UNIT SERIAL NO. RANGE*	REMARKS
1	Casing, Evaporator Fan	LA484261-0260	1		
2	Fan, Evaporator	LA484221-0360	1		w/Set Screw
3	Fan Motor	LA484211-1343	1		
4	Casing Assy, Condenser Fan	LA484260-0310	1		
5	Fan, Condenser	LA484221-0370	1		w/Set Screw
6	Ring Sub-Assy	LA484280-0090	1		
7	Screw w/Washer	91370-04101	3		M4x0.7, L=10
8	Screw w/Washer	91370-06161	4		M6x1, L=16
9	Screw w/Washer	949007-3600	2		M4x0.7, L=10
10	Nut	949056-1430	14		M6x1
11	Screw	949006-5850	14		M4x0.7, L=10
12	Motor Stay	LA484330-0500	1		
13	Stay, Control Panel Right	LA484331-6690	1		
14	Stay, Control Panel Left	GX484430-3160	1		
15	Switch Assy	GX484560-1843	1		Operation Panel & PCB

*: Please refer to page number 2 for the position of the nameplate showing the serial number on the unit.

"Unit Serial Number Range*" column indicates the first four digits of the unit serial number.

CLASSIC PLUS 14



ILL00035-00

CLASSIC PLUS 14

ILL. NO.	DESCRIPTION	PART NO.	QTY.	UNIT SERIAL NO. RANGE*	REMARKS
1	Box Sub-Assy	GX484520-1073	1		
2	Relay Board	GX484500-3580	1		w/ILL.NO.2-1
2-1	Fuse, Relay Board	LAY65765-0030	1	0208 to Present	250mA, 250V
		LA481936-0080	1	0108	160mA, 250V
3	Spacer	LA484921-0150	5		
4	Screw w/Washer	91370-03081	5		M3x0.5, L=8
5	Capacitor, Compressor	GX484507-1650	1		370VAC, 60μF
6	Holder, Capacitor	LA484927-1020	1		For Compressor
7	Capacitor, Fan	LA484507-0890	1		370VAC, 7.5μF
8	Holder, Capacitor	LA484927-0880	1		For Fan
9	Screw	949006-3250	4		M4x0.7, L=10
10	Terminal Block	LA484503-040A	1		For Power
11	Screw	949006-3280	2		M4x0.7, L=18
12	Washer, Plate	90200-04331	2		
13	Bracket	GX484391-2220	1		
14	Terminal Block	GX484503-0840	1		For Input/Output Signal
15	Screw w/Washer	91310-03161	2		M3x0.5, L=16
16	Screw	949006-5850	4		M4x0.7, L=10
17	Screw	91051-04100	3		Ground (M4x0.7, L=10)
18	Washer, Plate	90201-04300	3		Ground
19	Grommet	LA484926-0490	1		For Compressor Wire
20	Grommet	LA484926-0500	3		
21	Grommet	484926-0290	1		For Main Wire
22	Wire Assy	LA484930-5222	1		(CF, CC)↔(TB)
23	Wire Assy	LA484930-523A	1		(TB)↔(RB)
24	Washer, Plate	90200-03211	5		
25	Wire Assy	GX484930-9122	1		Main Harness (RB)↔(CB)

*: Please refer to page number 2 for the position of the nameplate showing the serial number on the unit.

"Unit Serial Number Range*" column indicates the first four digits of the unit serial number.

[Memo]

CLASSIC PLUS 14

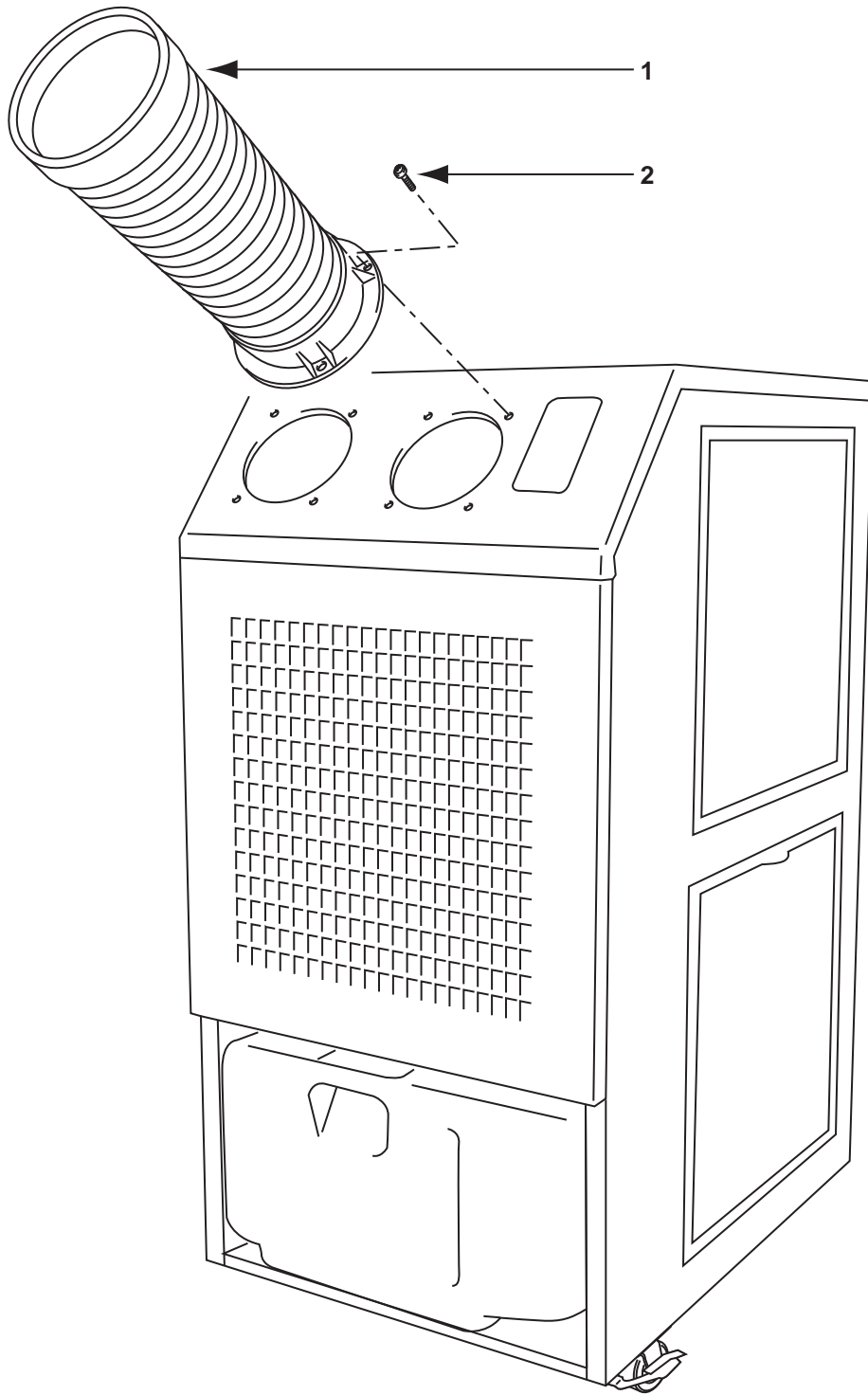
Unit Part No: GX484000-3720

Unit Serial Number Range:

0407XXXX140 to 1207XXXX140

(From April 2007 to December 2007)

CLASSIC PLUS 14



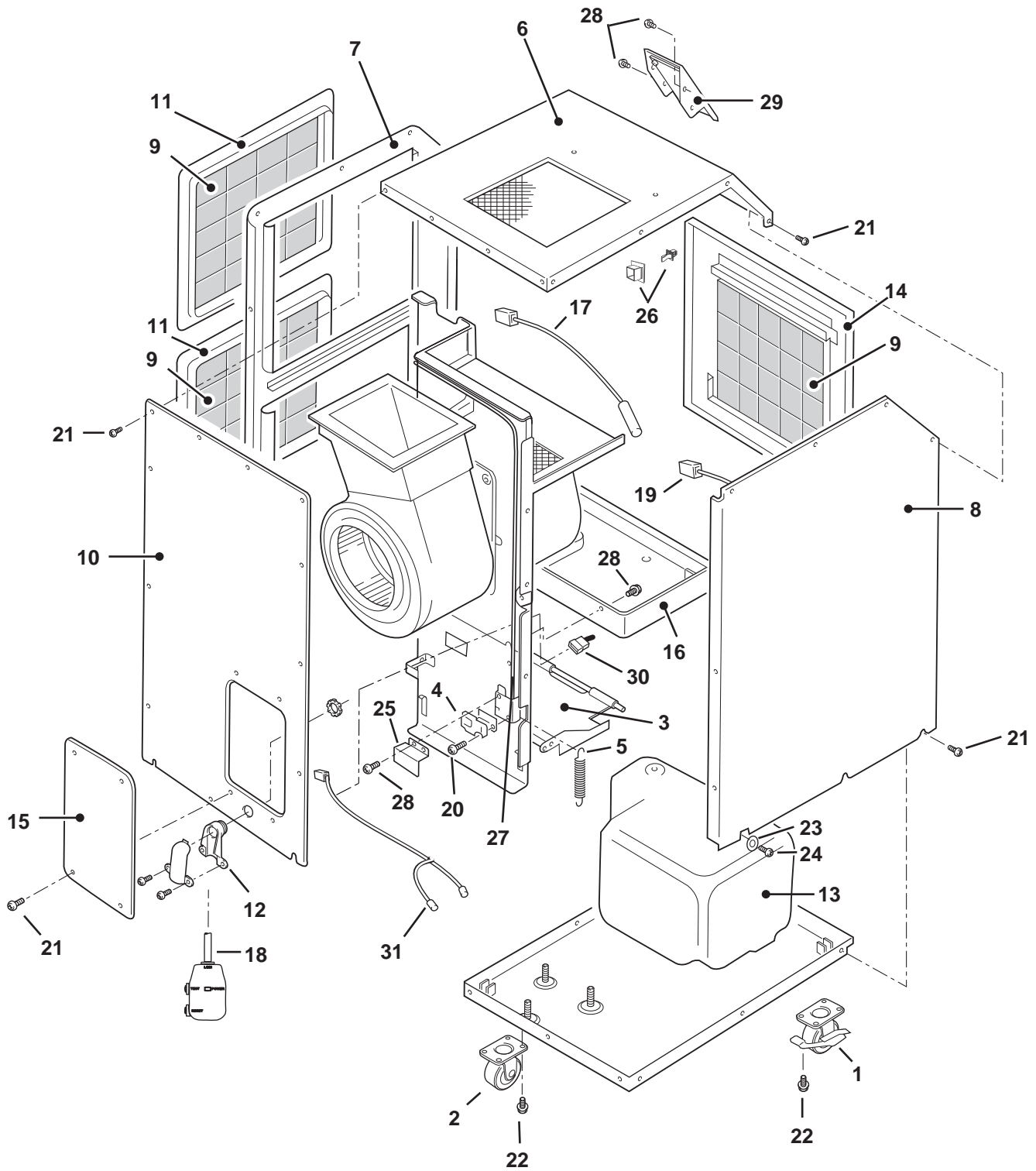
ILL00026-01

CLASSIC PLUS 14

ILL. NO.	DESCRIPTION	PART NO.	QTY.	UNIT SERIAL NO. RANGE*	REMARKS
1	Duct Assy	LAY84209-0030	2		
2	Screw w/Washer	91370-06121	8		M6x1, L=12

*: Please refer to page number 2 for the position of the nameplate showing the serial number on the unit.
"Unit Serial Number Range*" column indicates the first four digits of the unit serial number.

CLASSIC PLUS 14



ILL00027-01

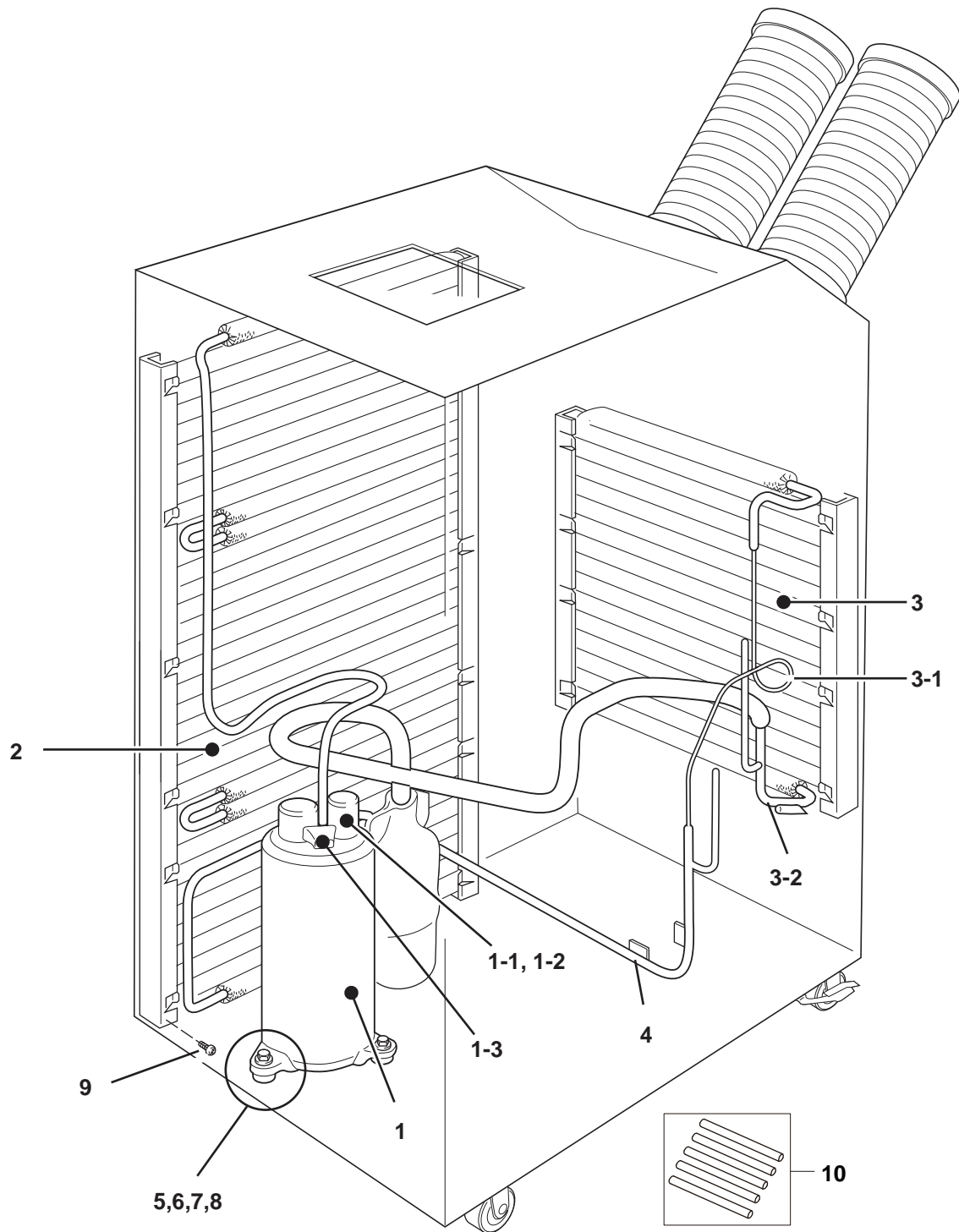
CLASSIC PLUS 14

ILL. NO.	DESCRIPTION	PART NO.	QTY.	UNIT SERIAL NO. RANGE*	REMARKS
1	Caster w/Brake	LA484702-0330	2		
2	Caster	LA484702-0340	2		
3	Frame Sub-Assy	LA484310-3600	1		For Drain Tank
4	Switch, Drain Tank	LA484502-0380	1		
5	Spring, Tension Coil	484917-0680	2		
6	Panel Assy, Upper	GX484410-8030	1		
7	Panel Assy, Right	LA484410-7660	1		
8	Panel Assy, Left	LA484410-7670	1		
9	Element, Filter	LA484401-1100	3		
10	Panel Assy, Rear	LA484410-7691	1		
11	Frame Assy, Filter (Condenser)	GX484400-0470	2		w/ILL.NO.9
12	Connector (Retainer, Power Cord)	LA484506-0090	1		
13	Tank, Drain	484731-0220	1		
14	Panel Assy, Front	LA484410-7940	1		w/ILL.NO.9
15	Panel Assy, Service	GX484410-8170	1		
16	Pan Assy, Drain	LA484430-0120	1		
17	Thermistor, Room Temperature	LAY84532-0021	1		
18	Wire Assy, Power Cord	LA484930-8650	1		LCDI
19	Thermistor, Anti-Freeze Up	LAY84532-0011	1		
20	Screw w/Washer	91310-03161	2		M3x0.5, L=16
21	Screw w/Washer	480919-0370	43		M4x0.7, L=10
22	Bolt w/Washer	91510-08141	8		M8x1.25, L=14
23	Washer, Plate	90201-06400	1		Ground
24	Screw	90051-06120	1		Ground (M6x1, L=12)
25	Cover	LA484391-1870	1		
26	Holder, Front Panel Clip	LA484009-0700	2		Male & Female Kit
27	Wire Assy	LA484930-6850	1		Main Harness (RB)↔(CB)
28	Screw	949006-5850	27		M4x0.7, L=10
29	Switch Assy	GX484560-1843	1		Operation Panel & PCB
30	Connector, Jumper	LA484930-8160	1		Drain Pump
31	Wire Assy	LA484930-8330	1		Drain Pump

*: Please refer to page number 2 for the position of the nameplate showing the serial number on the unit.

"Unit Serial Number Range*" column indicates the first four digits of the unit serial number.

CLASSIC PLUS 14



ILL00028-00

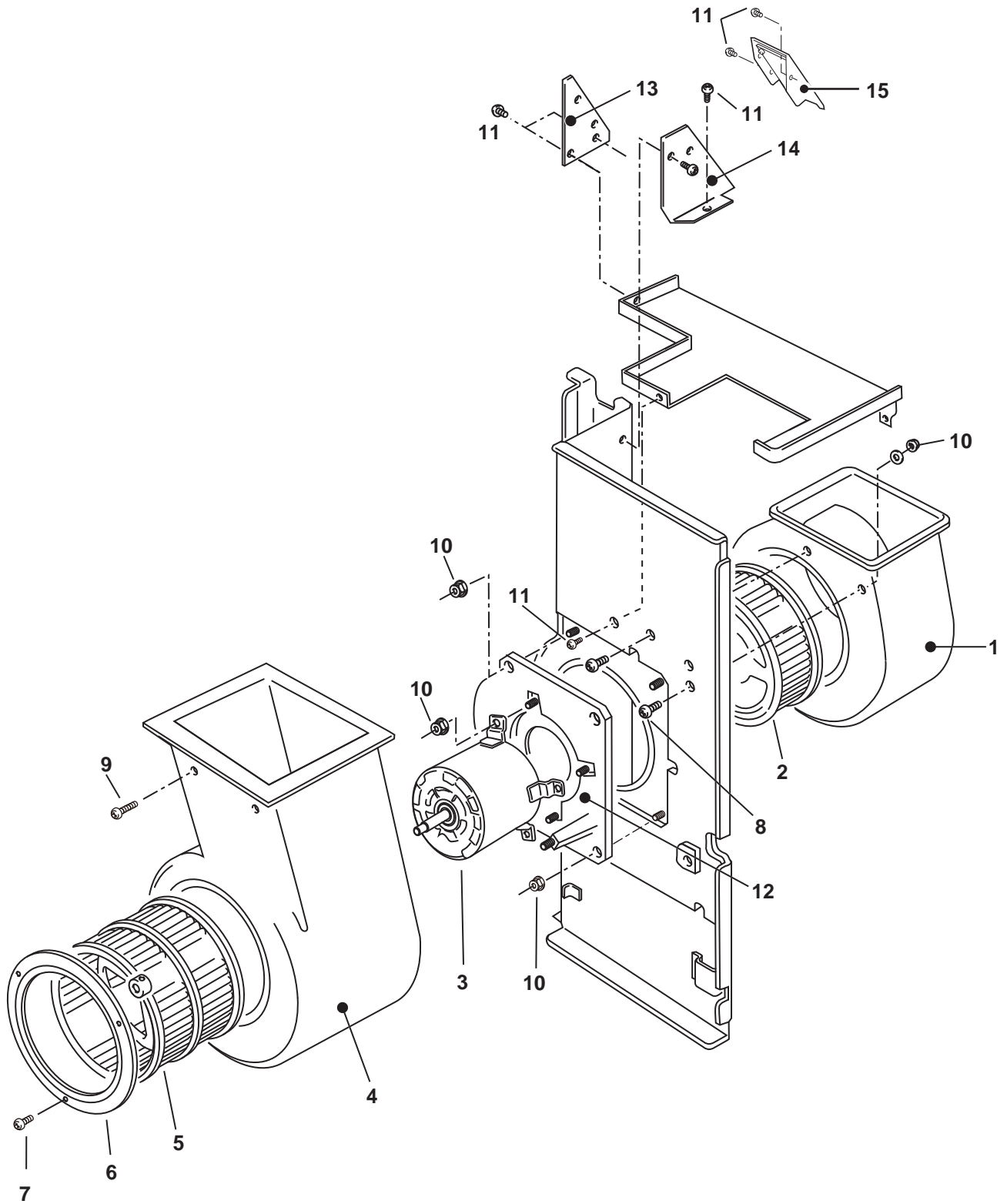
CLASSIC PLUS 14

ILL. NO.	DESCRIPTION	PART NO.	QTY.	UNIT SERIAL NO. RANGE*	REMARKS
1	Compressor Assy	LA484650-1430	1		w/Pipe for Discharge & Suction w/ILL.NO.1-1~1-3
1-1	Overload Relay	LA484501-0290	1		
1-2	Clip	LA484917-0360	1		
1-3	Wire Assy	LA484930-5210	1		For Compressor
2	Core Assy, Condenser	LA484600-1350	1		
3	Core Assy, Evaporator	LA484600-1360	1		w/ILL.NO.3-1~3-2
3-1	Pipe Assy, Capillary	LA484800-2930	1		
3-2	Pipe Assy, Evaporator Outlet	LA484800-2920	1		
4	Pipe Assy, Connecting	LA484800-2910	1		
5	Cushion	LA484904-0240	3		
6	Collar, Steel	LA484915-0320	3		
7	Washer, Steel Plate	949011-5330	3		
8	Nut	90190-08651	3		M8x1.25
9	Screw, Tapping	949001-1570	5		D4, L=10
10	Pipe Assy, Charging	484800-0440	1		5 pieces per package

*: Please refer to page number 2 for the position of the nameplate showing the serial number on the unit.

"Unit Serial Number Range*" column indicates the first four digits of the unit serial number.

CLASSIC PLUS 14



ILL00029-01

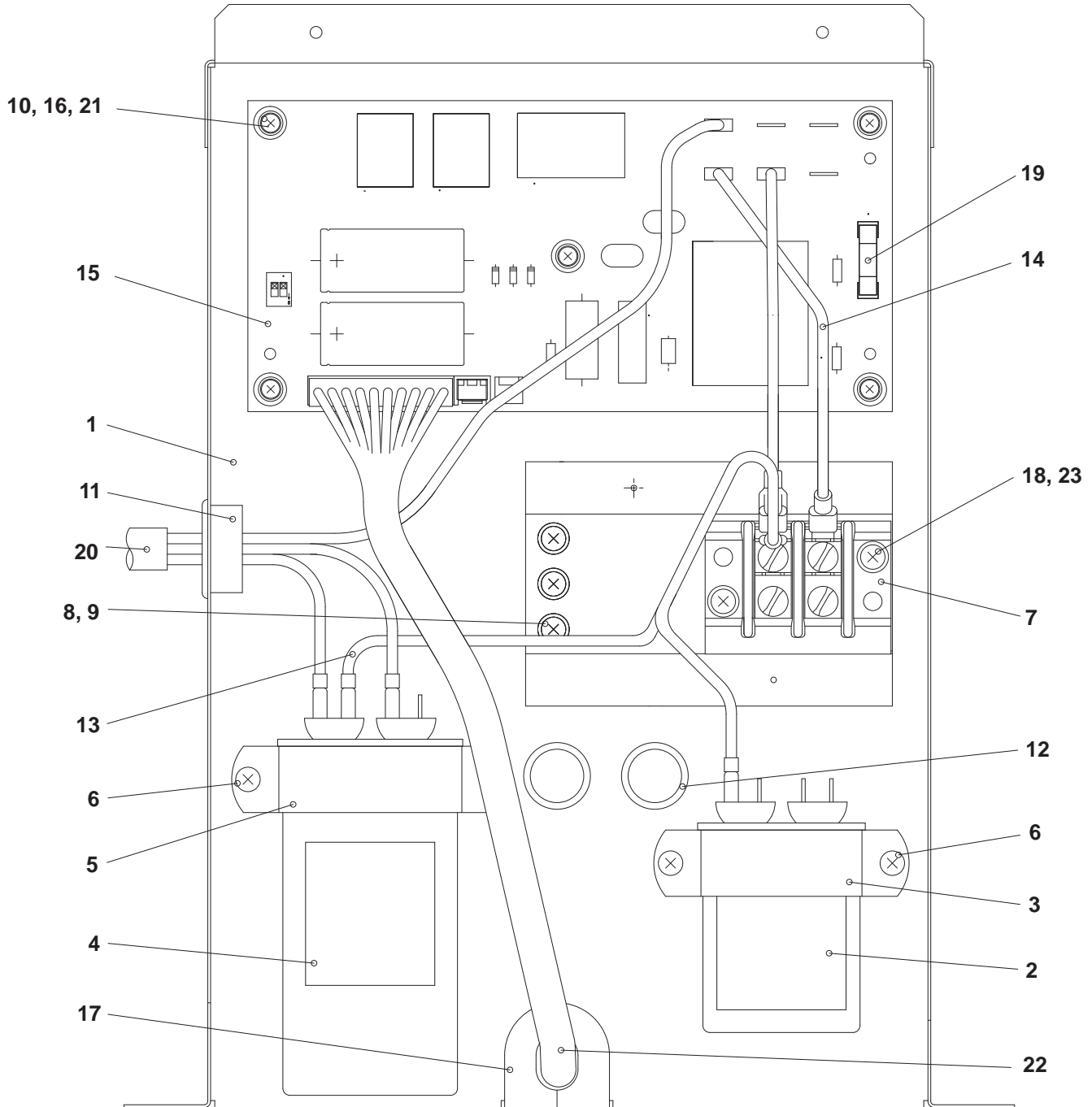
CLASSIC PLUS 14

ILL. NO.	DESCRIPTION	PART NO.	QTY.	UNIT SERIAL NO. RANGE*	REMARKS
1	Casing, Evaporator Fan	LA484261-0260	1		
2	Fan, Evaporator	LA484221-0360	1		w/Set Screw
3	Fan Motor	LA484211-1343	1		
4	Casing Assy, Condenser Fan	LA484260-0310	1		
5	Fan, Condenser	LA484221-0370	1		w/Set Screw
6	Ring Sub-Assy	LA484280-0090	1		
7	Screw w/Washer	91370-04101	3		M4x0.7, L=10
8	Screw w/Washer	91370-06161	4		M6x1, L=16
9	Screw w/Washer	949007-3600	2		M4x0.7, L=10
10	Nut	949056-1430	14		M6x1
11	Screw	949006-5850	14		M4x0.7, L=10
12	Motor Stay	LA484330-0500	1		
13	Stay, Control Panel Right	LA484331-6690	1		
14	Stay, Control Panel Left	GX484430-3160	1		
15	Switch Assy	GX484560-1843	1		Operation Panel & PCB

*: Please refer to page number 2 for the position of the nameplate showing the serial number on the unit.

"Unit Serial Number Range*" column indicates the first four digits of the unit serial number.

CLASSIC PLUS 14



ILL00030-00

CLASSIC PLUS 14

ILL. NO.	DESCRIPTION	PART NO.	QTY.	UNIT SERIAL NO. RANGE*	REMARKS
1	Box Sub-Assy	LA484520-0740	1		
2	Capacitor, Fan	LA484507-0890	1		370VAC, 7.5 μ F
3	Holder, Capacitor	LA484927-0880	1		For Fan
4	Capacitor, Compressor	LA484507-0880	1		370VAC, 45 μ F
5	Holder, Capacitor	LA484927-0890	1		For Compressor
6	Screw	949006-3250	4		M4x0.7, L=10
7	Terminal Block	LA484503-040A	1		For Power
8	Screw	91051-04100	3		Ground (M4x0.7, L=10)
9	Washer, Plate	90201-04300	3		Ground
10	Screw w/Washer	91370-03081	5		M3x0.5, L=8
11	Grommet	LA484926-0490	1		For Compressor Wire
12	Grommet	LA484926-0500	2		
13	Wire Assy	LA484930-5222	1		Capacitor
14	Wire Assy	LA484930-523A	1		(TB) \leftrightarrow (RB)
15	Relay Board	GX484500-3580	1		
16	Spacer	LA484921-0150	5		
17	Grommet	484926-0290	1		For Main Wire
18	Washer, Plate	90200-04331	2		
19	Fuse, Relay Board	LA481936-0080	1	0907 to 1207	160mA, 250V
		LAY65765-0030	1	0407 to 0807	250mA, 250V
20	Wire Assy	LA484930-5210	1		Compressor
21	Washer, Plate	90200-03211	5		
22	Wire Assy	LA484930-6850	1		Main Harness (RB) \leftrightarrow (CB)
23	Screw	949006-3280	2		M4x0.7, L=18

*: Please refer to page number 2 for the position of the nameplate showing the serial number on the unit.

"Unit Serial Number Range*" column indicates the first four digits of the unit serial number.

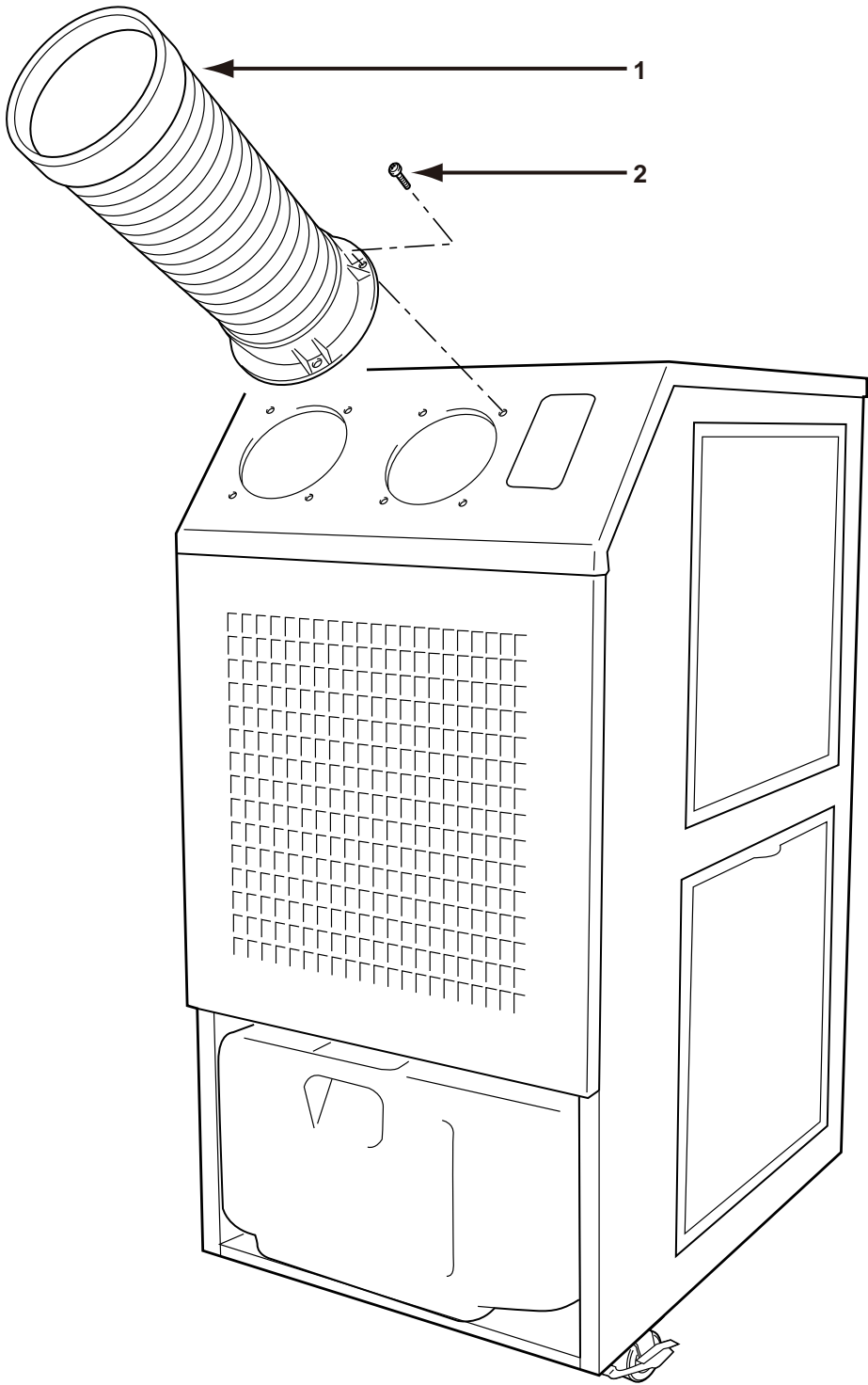
[Memo]

CLASSIC PLUS 14

Unit Part No: LA484000-3420
LA484000-2191

Unit Serial Number Range:
0298XXXX140 to 0307XXXX140
(From February 1998 to March 2007)

CLASSIC PLUS 14



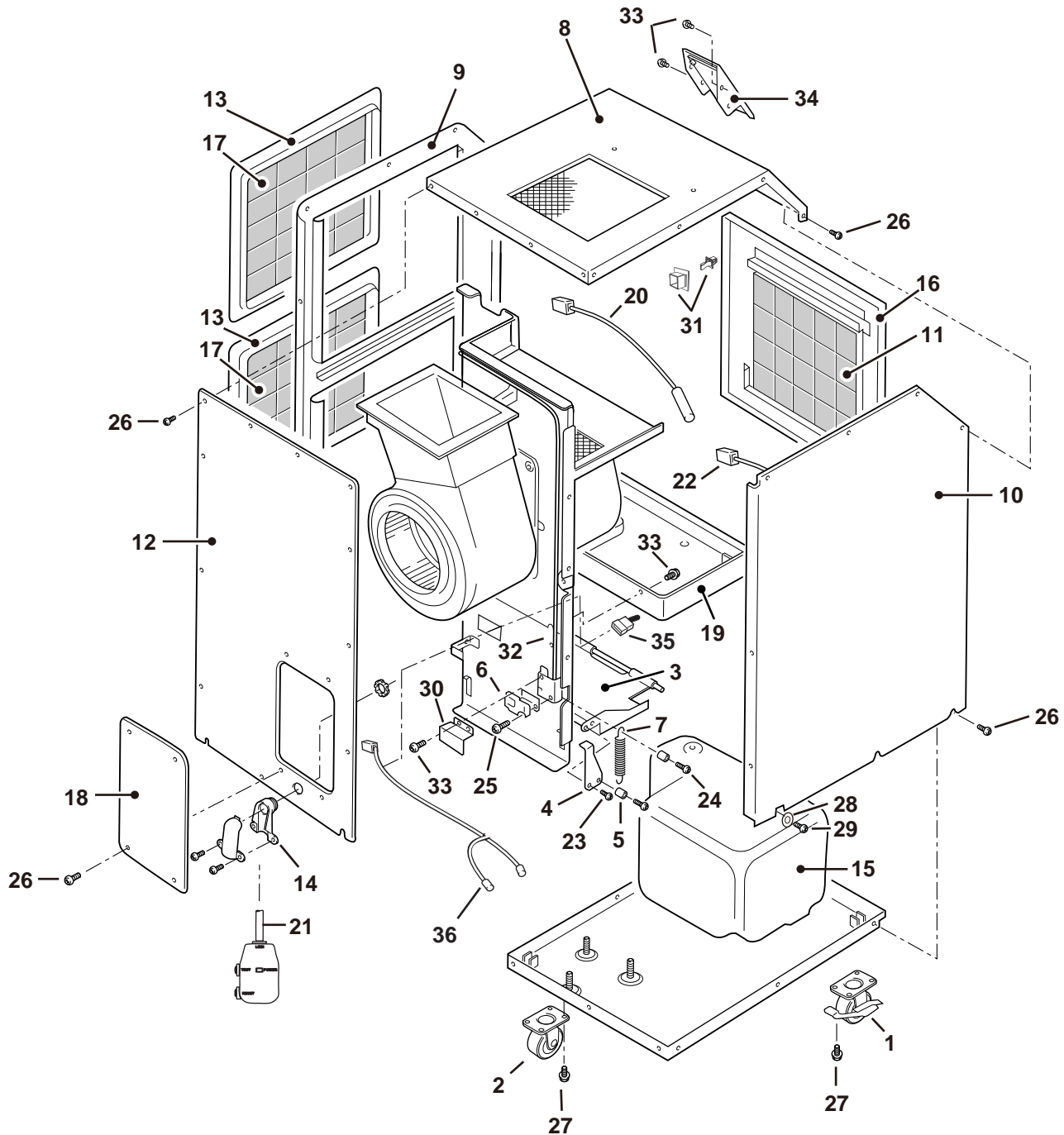
ILL00021-01

CLASSIC PLUS 14

ILL. NO.	DESCRIPTION	PART NO.	QTY.	UNIT SERIAL NO. RANGE*	REMARKS
1	Duct Assy	LAY84209-0030	2		
2	Screw w/Washer	91370-06121	8		M6x1, L=12

*: Please refer to page number 2 for the position of the nameplate showing the serial number on the unit.
"Unit Serial Number Range*" column indicates the first four digits of the unit serial number.

CLASSIC PLUS 14



ILL00022-01

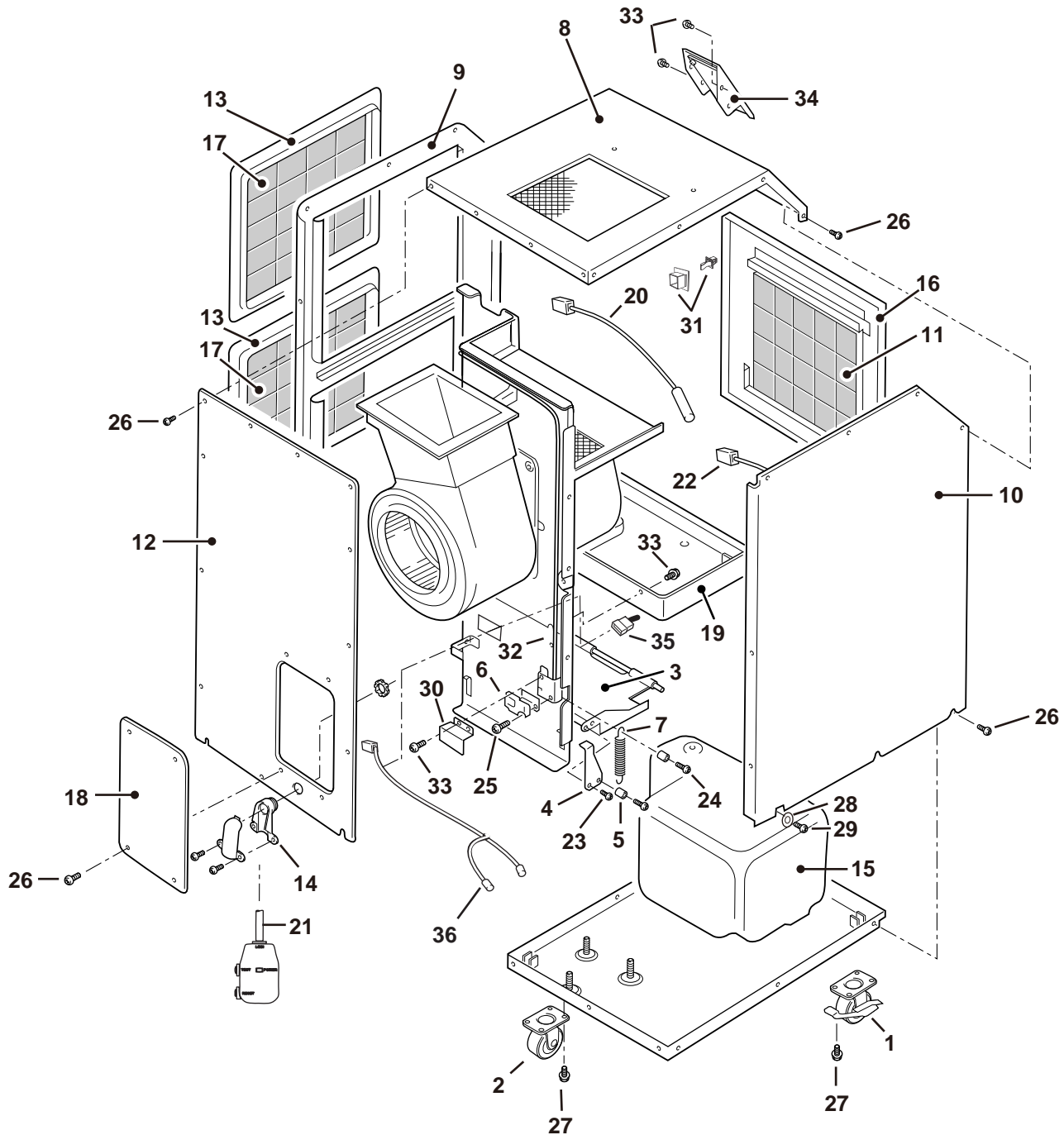
CLASSIC PLUS 14

ILL. NO.	DESCRIPTION	PART NO.	QTY.	UNIT SERIAL NO. RANGE*	REMARKS
1	Caster w/Brake	LA484702-0330	2		
2	Caster	LA484702-0340	2		
3	Frame Sub-Assy (Drain Tank)	LA484310-3600	1	0103 to 0307	
		LAY84310-0010	1	0298 to 1202	
4	Bracket	LA484321-0510	1	0298 to 1202	
5	Socket	480837-0030	4	0298 to 1202	
6	Switch Assy, Drain Tank	LA484502-0380	1		
7	Spring, Tension Coil	484917-0680	2		
8	Panel, Upper	LA484410-7650	1		Top
9	Panel, Right	LA484410-7660	1		Condenser
10	Panel, Left	LA484410-7670	1		
11	Element, Filter (Evaporator)	LA484401-1100	1		
12	Panel, Rear	LA484410-7691	1		
13	Frame Assy, Filter (Condenser)	GX484400-0470	2		
14	Retainer, Power Cord	LA484506-0090	1		
15	Tank, Drain	484731-0220	1		
16	Panel, Front	LA484410-7950	1		
17	Element, Filter (Condenser)	LA484401-1100	2		
18	Panel, Service	LA484410-7620	1	0505 to 0307	
		LA484410-5130	1	0298 to 0405	
19	Drain Pan Assy	LA484430-0120	1		
20	Thermistor, Room Temp	LAY84532-0021	1	1200 to 0307	
		LA484532-002B	1	0298 to 1100	
21	Power Cord Assy	LA484930-8650	1		LCDI
22	Thermistor, Anti-Freeze Up	LAY84532-0011	1	1200 to 0307	
		LA484532-0030	1	0298 to 1100	
23	Screw w/Washer	91370-04101	3		M4x0.7, L=10
24	Screw, Tapping	91060-04161	4		D4, L=16
25	Screw w/Washer	91310-03161	2		M3x0.5, L=16
26	Screw w/Washer	480919-0370	43		M4x0.7, L=10
27	Bolt w/Washer	91510-08141	8		M8x1.25, L=14
28	Washer, Plate	90201-06400	1		Ground
29	Screw	90051-06120	1		Ground (M6x1, L=12)
30	Cover, Drain Switch	LA484391-1870	1	0103 to 0307	
		LA484391-056A	1	0298 to 1202	
31	Holder, Front Panel Clip	LA484009-0700	2		Male & Female Kit
32	Wire Harness	LA484930-6850	1	1200 to 0307	Main Harness (RB)↔(CB)
33	Screw	949006-5850	22		M4x0.7, L=10
34	Switch Assy	GX484560-2320	1	1200 to 0307	Operation Panel & PCB

*: Please refer to page number 2 for the position of the nameplate showing the serial number on the unit.

"Unit Serial Number Range*" column indicates the first four digits of the unit serial number.

CLASSIC PLUS 14



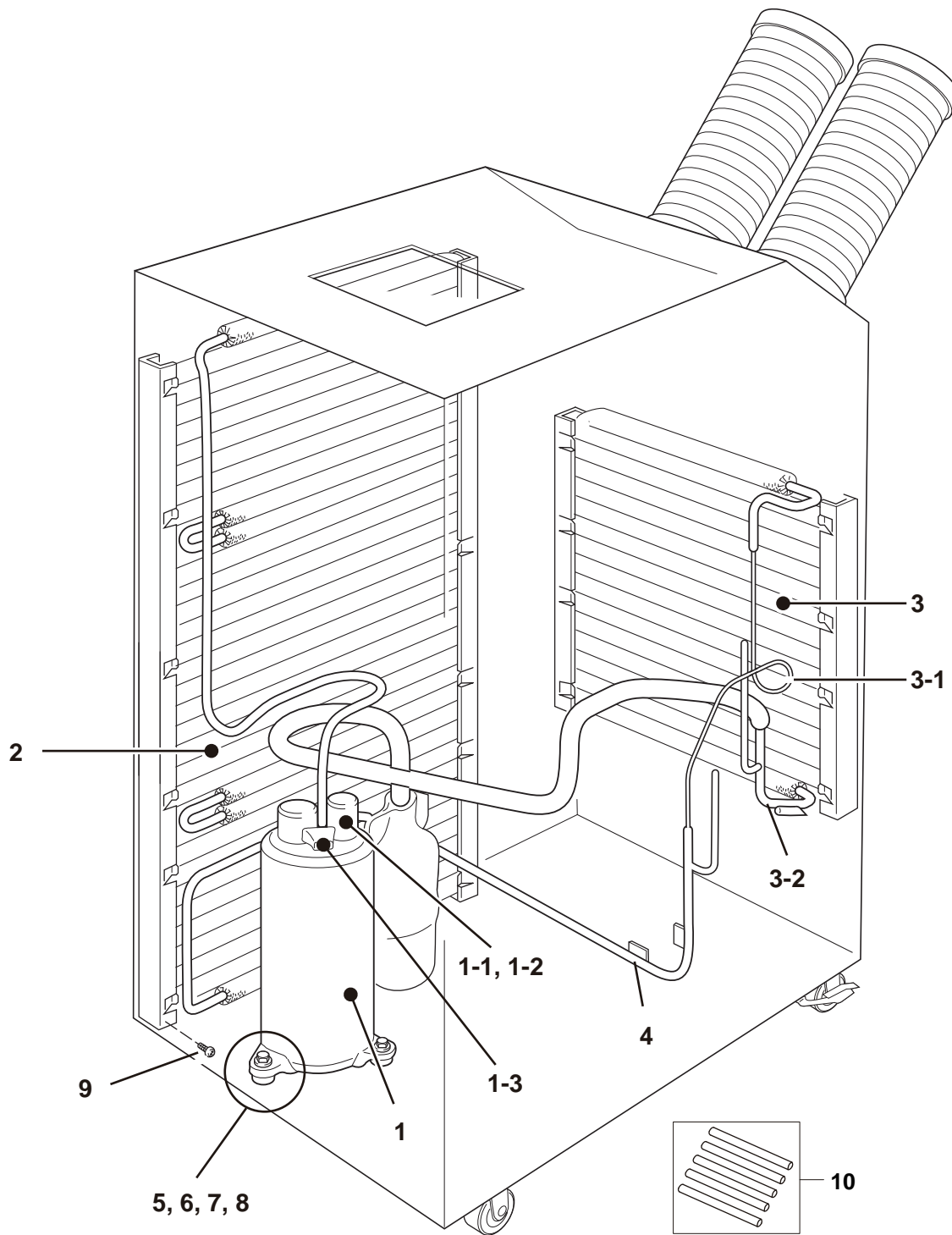
ILL00022-01

CLASSIC PLUS 14

ILL. NO.	DESCRIPTION	PART NO.	QTY.	UNIT SERIAL NO. RANGE*	REMARKS
35	Connector, Jumper	LA484930-8160	1	0705 to 0307	For LA484000-3420 Unit Drain Pump
36	Wire Assy, Drain Pump	LA484930-8330	1	0705 to 0307	For LA484000-3420 Unit Drain Pump

*: Please refer to page number 2 for the position of the nameplate showing the serial number on the unit.
 "Unit Serial Number Range*" column indicates the first four digits of the unit serial number.

CLASSIC PLUS 14



ILL00023-00

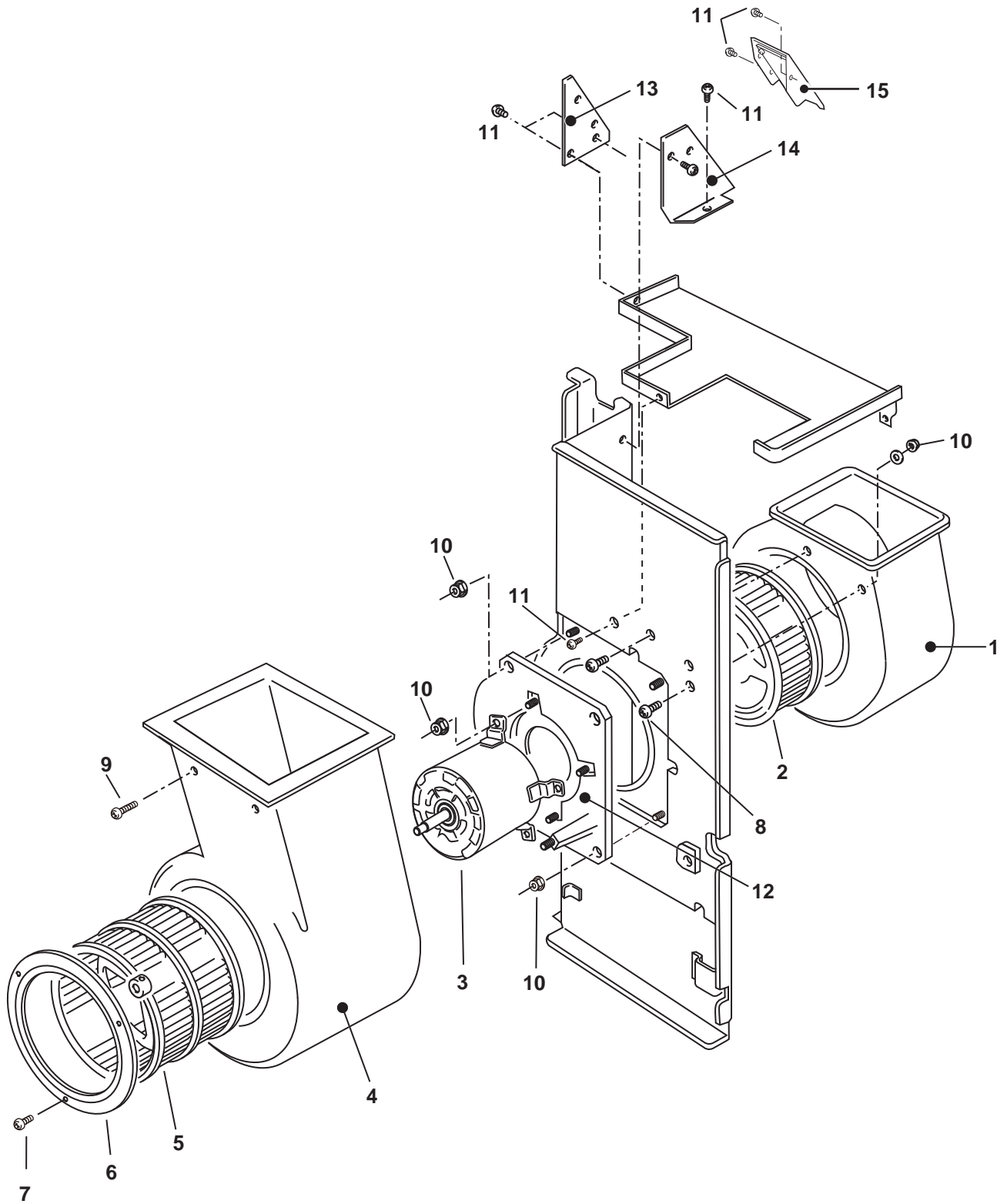
CLASSIC PLUS 14

ILL. NO.	DESCRIPTION	PART NO.	QTY.	UNIT SERIAL NO. RANGE*	REMARKS
1	Compressor Assy	LA484650-1430	1		w/Pipe for Discharge & Suction w/ILL.NO.1-1~1-3
1-1	Overload Relay	LA484501-0290	1		
1-2	Clip	LA484917-0360	1		
1-3	Wire Assy	LA484930-5210	1		For Compressor
2	Core Assy, Condenser	LA484600-1350	1		
3	Core Assy, Evaporator	LA484600-1360	1		w/ILL.NO.3-1~ 3-2
3-1	Pipe Assy, Capillary	LA484800-2930	1		
3-2	Pipe Assy, Evaporator Outlet	LA484800-2920	1		
4	Pipe Assy, Connecting	LA484800-2910	1		
5	Cushion	LA484904-0240	3		
6	Collar, Steel	LA484915-0320	3		
7	Washer, Steel Plate	949011-5330	3		
8	Nut	90190-08651	3		M8x1.25
9	Screw, Tapping	949001-1570	5		D4, L=10
10	Pipe Assy, Charging	484800-0440	1		5 pieces per package

*: Please refer to page number 2 for the position of the nameplate showing the serial number on the unit.

"Unit Serial Number Range*" column indicates the first four digits of the unit serial number.

CLASSIC PLUS 14



ILL00029-01

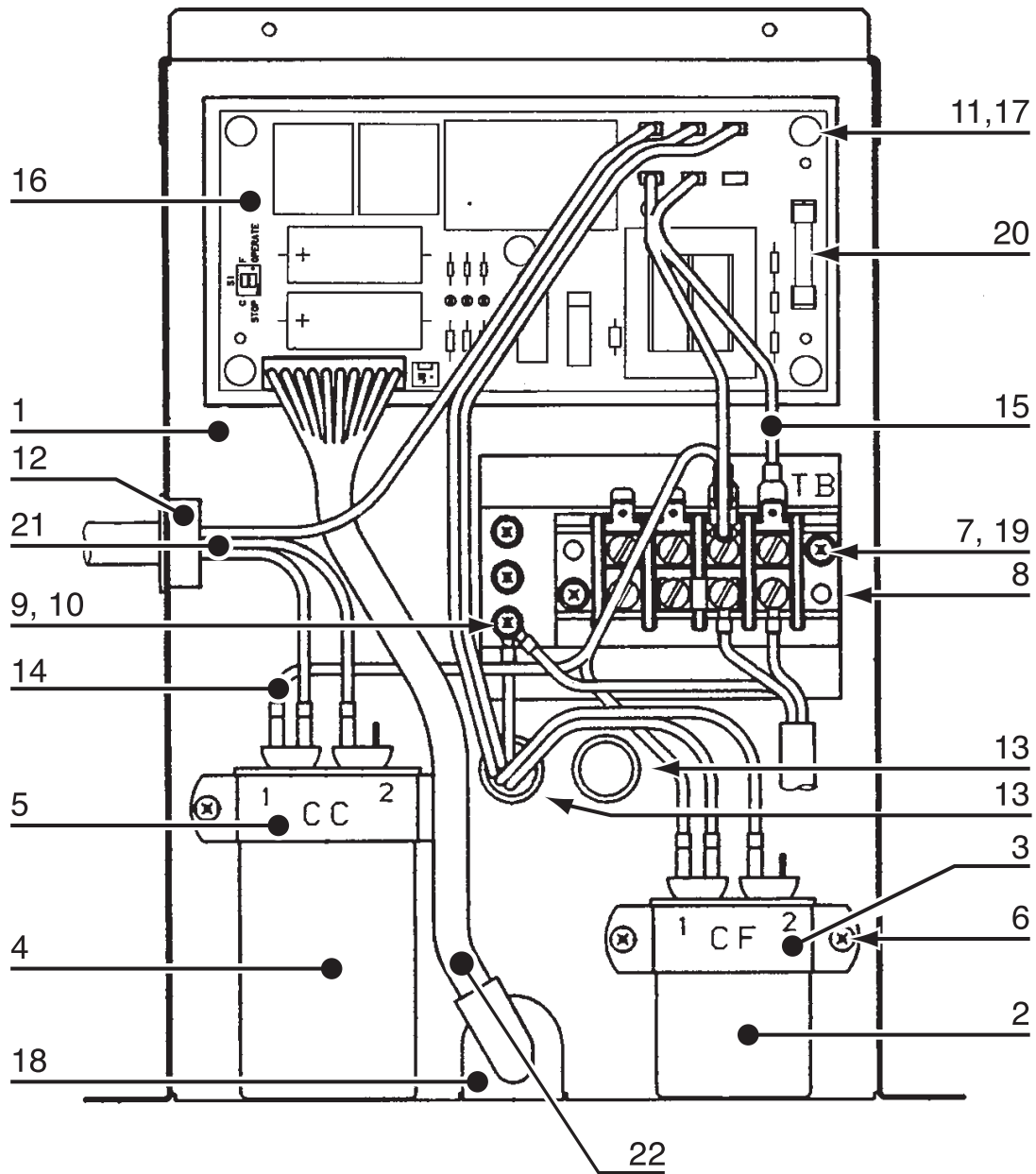
CLASSIC PLUS 14

ILL. NO.	DESCRIPTION	PART NO.	QTY.	UNIT SERIAL NO. RANGE*	REMARKS
1	Casing, Evaporator Fan	LA484261-0260	1		
2	Fan, Evaporator	LA484221-0360	1		w/Set Screw
3	Fan Motor	LA484211-1343	1		
4	Casing Assy, Condenser Fan	LA484260-0310	1		
5	Fan, Condenser	LA484221-0370	1		w/Set Screw
6	Ring Sub-Assy	LA484280-0090	1		
7	Screw w/Washer	91370-04101	3		M4x0.7, L=10
8	Screw w/Washer	91370-06161	4		M6x1, L=16
9	Screw w/Washer	949007-3600	2		M4x0.7, L=14
10	Nut	949056-1430	14		M6x1
11	Screw	949006-5850	14		M4x0.7, L=10
12	Motor Stay	LA484330-0500	1		
13	Stay, Control Panel Right	LA484331-6690	1		
14	Stay, Control Panel Left	GX484430-3160	1		
15	Switch Assy	GX484560-2320	1	1200 to 0307	Operation Panel & PCB

*: Please refer to page number 2 for the position of the nameplate showing the serial number on the unit.

"Unit Serial Number Range*" column indicates the first four digits of the unit serial number.

CLASSIC PLUS 14



ILL00025-01

CLASSIC PLUS 14

ILL. NO.	DESCRIPTION	PART NO.	QTY.	UNIT SERIAL NO. RANGE*	REMARKS
1	Box Sub-Assy, Control	LA484520-0740	1	0499 to 0307	
		LA484520-0720	1	0298 to 0399	
2	Capacitor, Fan	LA484507-0890	1		370VAC, 7.5 μ F
3	Holder, Capacitor	LA484927-0880	1		For Fan
4	Capacitor, Compressor	LA484507-0880	1		370VAC, 45 μ F
5	Holder, Capacitor	LA484927-0890	1		For Compressor
6	Screw	949006-3250	4		M4x0.7, L=10
7	Screw	949006-3280	2		M4x0.7, L=18
8	Terminal Block	LA484503-040A	1		For Power
9	Screw	91051-04100	3		M4x0.7, L=10
10	Washer, Plate	90201-04300	3		
11	Screw w/Washer	91370-03081	5		M3x0.5, L=8
12	Grommet	LA484926-0490	1		For Compressor Wire
13	Grommet	LA484926-0500	2		
14	Wire Assy	LA484930-5222	1		Capacitor
15	Wire Assy	LA484930-523A	1		(TB) \leftrightarrow (RB)
16	Relay Board Assy	GX484500-3580	1	1200 to 0307	115V
17	Spacer	LA484921-0150	5		
18	Grommet	484926-0290	1		For Main Wire
19	Washer, Plate	90200-04331	2		
20	Fuse, Relay Board	LA481936-0080	1	0103 to 0307	160mA, 250V
		LAY65765-0010	1	0298 to 1202	2/10A, 250V
21	Wire Assy	LA484930-5210	1		Compressor
22	Wire Assy	LA484930-6850	1	1200 to 0307	Main Wire Harness (RB) \leftrightarrow (CB)

*: Please refer to page number 2 for the position of the nameplate showing the serial number on the unit.

"Unit Serial Number Range*" column indicates the first four digits of the unit serial number.

DENSO

DENSO SALES CALIFORNIA, INC.

Long Beach, CA 90810
www.movincool.com

Third Issue: August 2012